

First edition  
1993-04-15

**AMENDMENT 1**  
2012-09-15

---

---

**Aircraft — Solid-state remote  
power controllers — General  
requirements —**

**Amendment 1**

*Aéronefs — Contacteurs-disjoncteurs statiques commandés à distance  
— Prescriptions générales —*

*Amendement 1*



Reference number  
ISO 8816:1993/Amd.1:2012(E)

© ISO 2012



**COPYRIGHT PROTECTED DOCUMENT**

© ISO 2012

All rights reserved. Unless otherwise specified, no part of this publication may be reproduced or utilized in any form or by any means, electronic or mechanical, including photocopying and microfilm, without permission in writing from either ISO at the address below or ISO's member body in the country of the requester.

ISO copyright office  
Case postale 56 • CH-1211 Geneva 20  
Tel. + 41 22 749 01 11  
Fax + 41 22 749 09 47  
E-mail [copyright@iso.org](mailto:copyright@iso.org)  
Web [www.iso.org](http://www.iso.org)

Published in Switzerland

## Foreword

ISO (the International Organization for Standardization) is a worldwide federation of national standards bodies (ISO member bodies). The work of preparing International Standards is normally carried out through ISO technical committees. Each member body interested in a subject for which a technical committee has been established has the right to be represented on that committee. International organizations, governmental and non-governmental, in liaison with ISO, also take part in the work. ISO collaborates closely with the International Electrotechnical Commission (IEC) on all matters of electrotechnical standardization. International Standards are drafted in accordance with the rules given in the ISO/IEC Directives, Part 2.

The main task of technical committees is to prepare International Standards. Draft International Standards adopted by the technical committees are circulated to the member bodies for voting. Publication as an International Standard requires approval by at least 75 % of the member bodies casting a vote.

Attention is drawn to the possibility that some of the elements of this document may be the subject of patent rights. ISO shall not be held responsible for identifying any or all such patent rights.

Amendment 1 to ISO 8816:1993 was prepared by Technical Committee ISO/TC 20, *Aircraft and space vehicles*, Subcommittee SC 1, *Aerospace electrical requirements*.

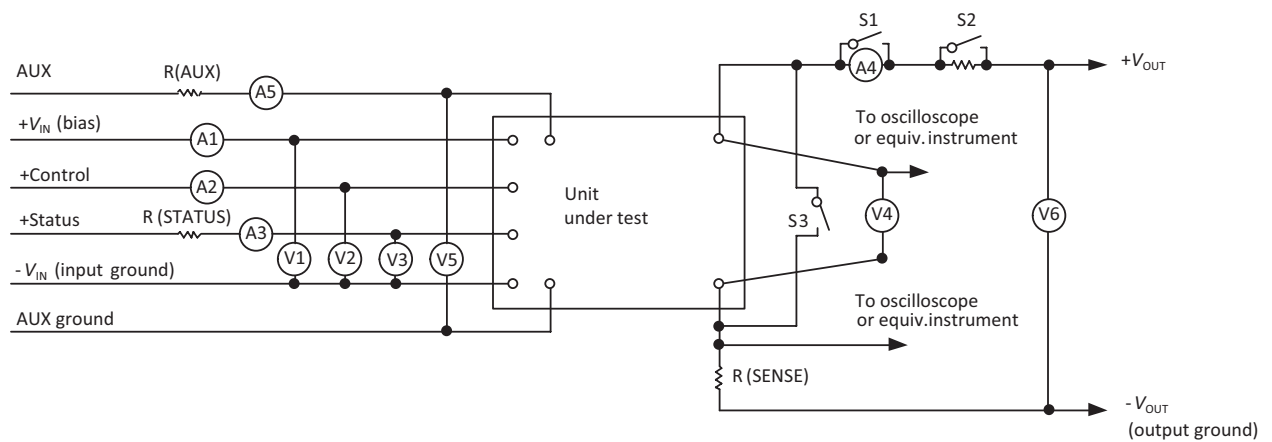


# Aircraft — Solid-state remote power controllers — General requirements —

## Amendment 1

Page 17, Figure 2

Add an ammeter A3 on “+Status” line.



NOTES

- 1 R(SENSE) shall have a value  $\leq 0,1 \Omega$  and may be replaced by an isolated current probe (current transformers, hall effect devices, or equivalent).
- 2 For short-circuit tests, R(SENSE) shall be less than or equal to 10 % of R(ON) of the unit under test.

Figure 2 — General test set-up

---

---

**ICS 49.060**

Price based on 1 page