

INTERNATIONAL
STANDARD

ISO
8666

Second edition
2016-07-01

Small craft — Principal data

Petits navires — Données principales



Reference number
ISO 8666:2016(E)

© ISO 2016



COPYRIGHT PROTECTED DOCUMENT

© ISO 2016, Published in Switzerland

All rights reserved. Unless otherwise specified, no part of this publication may be reproduced or utilized otherwise in any form or by any means, electronic or mechanical, including photocopying, or posting on the internet or an intranet, without prior written permission. Permission can be requested from either ISO at the address below or ISO's member body in the country of the requester.

ISO copyright office
Ch. de Blandonnet 8 • CP 401
CH-1214 Vernier, Geneva, Switzerland
Tel. +41 22 749 01 11
Fax +41 22 749 09 47
copyright@iso.org
www.iso.org

Contents

	Page
Foreword	v
1 Scope	1
2 Terms and definitions	1
3 Symbols, designations and units	2
4 Measurements	3
4.1 General	3
4.2 Longitudinal	4
4.2.1 General	4
4.2.2 Maximum length, L_{\max}	4
4.2.3 Length of the hull, L_H	4
4.2.4 Waterline length, L_{WL}	7
4.3 Athwartship	8
4.3.1 General	8
4.3.2 Maximum beam, B_{\max}	8
4.3.3 Beam of hull, B_H	8
4.3.4 Beam, waterline, B_{WL}	8
4.3.5 Maximum beam, waterline, $B_{WL\max}$	8
4.3.6 Beam between hull centers, B_{CB}	8
4.4 Vertical	9
4.4.1 Maximum depth, D_{\max}	9
4.4.2 Midship depth, $D_{LWL/2}$	9
4.4.3 Freeboard, F	10
4.4.4 Draught, T	10
4.4.5 Draught, air, H_a	10
4.4.6 Headroom	11
4.5 Other data	11
4.5.1 Deadrise angle, β	11
4.5.2 Reference sail area, A_S	12
4.5.3 Standard sail area, A'_S	12
4.5.4 Windage area, A_{IV}	12
4.5.5 Volume of the craft, V	12
5 Masses	13
5.1 Mass, net shipping, m_N	13
5.2 Mass, gross shipping, m_G	13
5.3 Mass, light craft, m_{LC}	14
5.3.1 Items of equipment included in m_{LC}	14
5.3.2 Items of equipment and other items not included in m_{LC}	15
5.4 Performance test mass, m_P	15
5.5 Mass of the craft when towed on a trailer, m_T	16
5.5.1 General	16
5.5.2 Items of equipment included in m_T	16
5.5.3 Items of equipment not included in m_T	18
5.5.4 Exclusions, inclusions	18
5.6 Maximum load, m_{ML}	18
6 Loading conditions	19
6.1 Test condition	19
6.2 Ready-for-use condition	19
6.3 Fully loaded ready-for-use condition	19
6.4 Empty craft condition	19
6.5 Light craft condition	20
6.6 Minimum operating condition	21
6.7 Loaded arrival condition	21

6.8	Maximum load condition	21
7	Tolerances	21
7.1	Published data	21
7.2	Preliminary specification	22
7.3	Reference lengths	22
	Bibliography	23

Foreword

ISO (the International Organization for Standardization) is a worldwide federation of national standards bodies (ISO member bodies). The work of preparing International Standards is normally carried out through ISO technical committees. Each member body interested in a subject for which a technical committee has been established has the right to be represented on that committee. International organizations, governmental and non-governmental, in liaison with ISO, also take part in the work. ISO collaborates closely with the International Electrotechnical Commission (IEC) on all matters of electrotechnical standardization.

The procedures used to develop this document and those intended for its further maintenance are described in the ISO/IEC Directives, Part 1. In particular the different approval criteria needed for the different types of ISO documents should be noted. This document was drafted in accordance with the editorial rules of the ISO/IEC Directives, Part 2 (see www.iso.org/directives).

Attention is drawn to the possibility that some of the elements of this document may be the subject of patent rights. ISO shall not be held responsible for identifying any or all such patent rights. Details of any patent rights identified during the development of the document will be in the Introduction and/or on the ISO list of patent declarations received (see www.iso.org/patents).

Any trade name used in this document is information given for the convenience of users and does not constitute an endorsement.

For an explanation on the meaning of ISO specific terms and expressions related to conformity assessment, as well as information about ISO's adherence to the WTO principles in the Technical Barriers to Trade (TBT) see the following URL: [Foreword - Supplementary information](#)

The committee responsible for this document is ISO/TC 188, *Small craft*.

This second edition cancels and replaces the first edition (ISO 8666:2002), which has been technically revised with the following main changes:

- definitions [2.7](#) to [2.13](#) have been added;
- list of symbols in [Table 1](#) has been extended;
- [4.3.5](#) and [4.3.6](#) have been added;
- [4.5.2](#), [4.5.3](#) and [4.5.4](#) have been added, and “projected sail area” has been deleted;
- [6.4](#) to [6.8](#) have been added;
- [7.1](#) has been modified and [7.3](#) added;
- clause on owner's manual has been deleted.

Small craft — Principal data

1 Scope

This International Standard establishes definitions of main dimensions and related data and of mass specifications and loading conditions. It applies to small craft having a length of the hull (L_H) of up to 24 m.

2 Terms and definitions

For the purposes of this document, the following terms and definitions apply.

NOTE For units, see [Clause 3](#).

2.1

waterline

WL

intersection line of the water's surface with the craft's hull when the *craft* ([2.13](#)) is afloat

2.2

maximum load waterline

reference waterline

WL_{ref}

waterline ([2.1](#)) of the *craft* ([2.13](#)) when upright in the maximum *loaded displacement* ([2.5.1](#))

2.3

sheerline

intersection between deck and hull, for rounded deck edges the natural intersection, or, where no deck is fitted or the hull extends above the deck (bulwark), the upper edge of the craft's hull

Note 1 to entry: The upper position of the sheerline depends on the inclination between the hull/deck intersection and the actual deck.

2.4

transom beam

B_T

maximum width of the hull at the transom at or below the *sheerline* ([2.3](#)), excluding extensions, handles and fittings

Note 1 to entry: Where spray rails act as chines or part of the planing surface, they are included in the transom beam measurement.

Note 2 to entry: For *craft* ([2.13](#)) with a rounded or pointed stern or with a transom beam of less than half the maximum beam of the craft, the transom beam, B_T , is the widest beam at or below the sheerline at the aft quarter length of the hull.

2.5

displacement

mass of water displaced by the *craft* ([2.13](#)), including all appendages

2.5.1

loaded displacement

m_{LDC}

mass of water displaced by the *craft* ([2.13](#)), including all appendages, when in the fully loaded ready-for-use condition

Note 1 to entry: Fully loaded ready-for use condition is described in [6.3](#).

2.5.2

displacement volume

V_D

volume of water displaced by the *craft* (2.13) that corresponds to the *displacement* (2.5)

Note 1 to entry: Where the density of water used to calculate the volume of displacement is not salt water at a density of 1 025 kg/m³, the density of water used to calculate the volume of displacement is specified.

2.6

tank capacity

net usable volume of the tank(s) for the *craft* (2.13) in *design trim* (2.11) at rest at the *maximum load waterline* (2.2)

2.7

wing mast

spar characterized by its cross-section which shows a smooth transition at the aft end into the sail, thus, contributing to its driving force

2.8

non-sailing boat

craft (2.13) for which the primary means of propulsion is other than by wind power, having *reference sail area* (2.10) (A_S) < 0,07 (m_{LDC})^{2/3}

2.9

sailing boat

craft (2.13) for which the primary means of propulsion is by wind power, having *reference sail area* (2.10) (A_S) ≥ 0,07 (m_{LDC})^{2/3}

2.10

reference sail area

A_S

actual profile area of sails set abaft a mast, plus the maximum profile areas of all masts, plus reference triangle area(s) forward of each mast

2.11

design trim

longitudinal attitude of the *craft* (2.13) when upright, with crew, fluids, stores, and equipment in the position(s) and load condition(s) designated by the designer or builder

2.12

underway

not at anchor, or made fast to the shore, or aground

2.13

craft

small craft

recreational boat, and other watercraft using similar equipment, of up to 24 m length of hull (L_H)

3 Symbols, designations and units

Unless specifically otherwise defined, the symbols, designations and units used in this International Standard are given in [Table 1](#).

Table 1 — Symbols, designations and units

Symbol	Designation	Unit	Clause
A_{IV}	Windage area	m ²	4.5.4
A_S	Reference sail area	m ²	4.5.2
A'_S	Standard sail area	m ²	4.5.3

Table 1 (continued)

Symbol	Designation	Unit	Clause
B_{CB}	Beam between hull centers	m	4.3.6
B_H	Beam of hull	m	4.3.3
B_{max}	Maximum beam	m	4.3.2
B_{WL}	Beam, waterline	m	4.3.4
B_{WLmax}	Maximum beam, waterline	m	4.3.5
B_T	Transom beam	m	2.4
D_{max}	Maximum depth	m	4.4.1
$D_{LWL/2}$	Midship depth	m	4.4.2
F	Freeboard	m	4.4.3
F_A	Freeboard, aft	m	4.4.3.2
F_F	Freeboard, forward	m	4.4.3.4
F_M	Freeboard, amidships	m	4.4.3.3
H_a	Draught, air	m	4.4.5
L_H	Length of the hull	m	4.2.3
L_{max}	Maximum length	m	4.2.2
L_{WL}	Waterline length	m	4.2.4
m_G	Gross shipping mass	kg	5.2
m_{LDC}	Loaded displacement	kg	2.5.1
m_{LC}	Light craft mass	kg	5.3
m_N	Net shipping mass	kg	5.1
m_P	Performance test mass	kg	5.4
m_T	Mass of craft when towed on trailer	kg	5.5
m_{ML}	Maximum load	kg	5.6
T	Draught	m	4.4.4
T_C	Draught, canoe body	m	4.4.4.4
T_{max}	Draught, maximum	m	4.4.4.2
T_{min}	Draught, minimum	m	4.4.4.3
V_D	Displacement volume	m ³	2.5.2
V	Volume of the craft	m ³	4.5.5
V_H	Volume of the hull	m ³	4.5.5.2
V_S	Volume of the superstructure	m ³	4.5.5.3
WL	Waterline		2.1
WL _{ref}	Maximum load waterline		2.2
β	Deadrise angle	degrees	4.5.1

4 Measurements

4.1 General

Measurements shall be established with the craft at rest at the maximum load waterline/reference waterline, WL_{ref}, unless otherwise stated.

4.2 Longitudinal

4.2.1 General

The lengths of a craft shall be measured parallel to the maximum load waterline/reference waterline and craft centreline as the distance between two vertical planes, perpendicular to the centreplane of the craft.

4.2.2 Maximum length, L_{\max}

The maximum length (L_{\max}) shall be measured in accordance with [4.2.1](#), one plane tangent through the foremost part and the other through the aftermost part of the craft.

This length includes all structural and integral parts of the craft, such as stems or sterns, bulwarks, and hull/deck joints.

This length includes parts which are normally fixed, such as fixed spars, bowsprits, pulpits at either end of the craft, stemhead fittings, rudders, outboard motor brackets, outdrives, waterjets, and any propulsion units extending beyond the transom, diving and boarding platforms, rubbing strakes, and permanent fenders.

Outdrives, waterjets, other propulsion units, and all movable parts shall be measured in their normal operating condition to their maximum lengthwise extension when the craft is underway.

This length excludes the following:

- outboard motors;
- any other type of equipment that can be detached without the use of tools.

See [Figure 1](#) for monohull measurements and [Figure 2](#) for multihull measurements.

4.2.3 Length of the hull, L_H

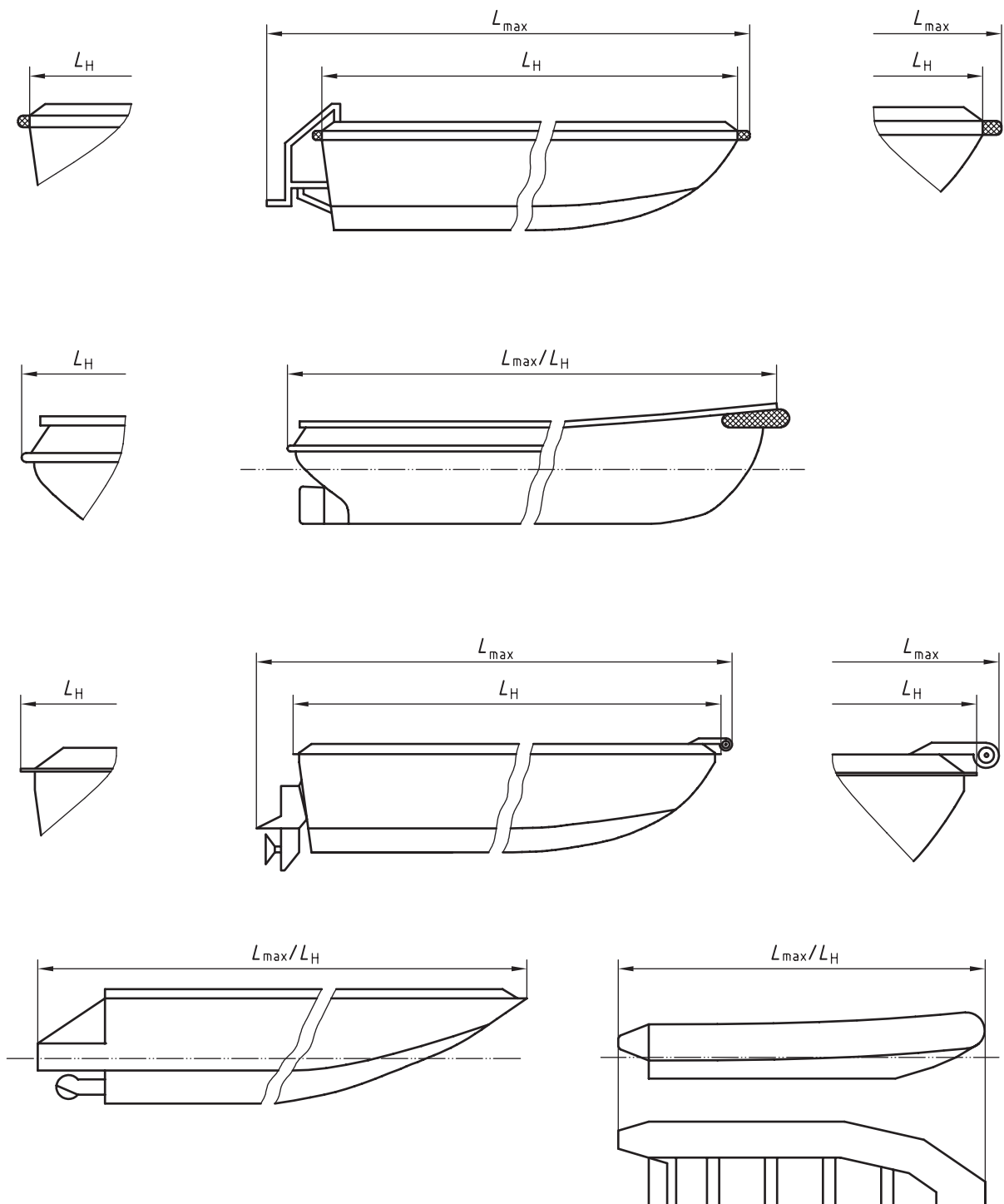
The length of the hull (L_H) shall be measured in accordance with [4.2.1](#), one plane passing through the foremost part of the craft and the other through the aftermost part of the craft.

This length includes all structural and integral parts of the craft, such as stems or sterns, bulwarks, and hull/deck joints.

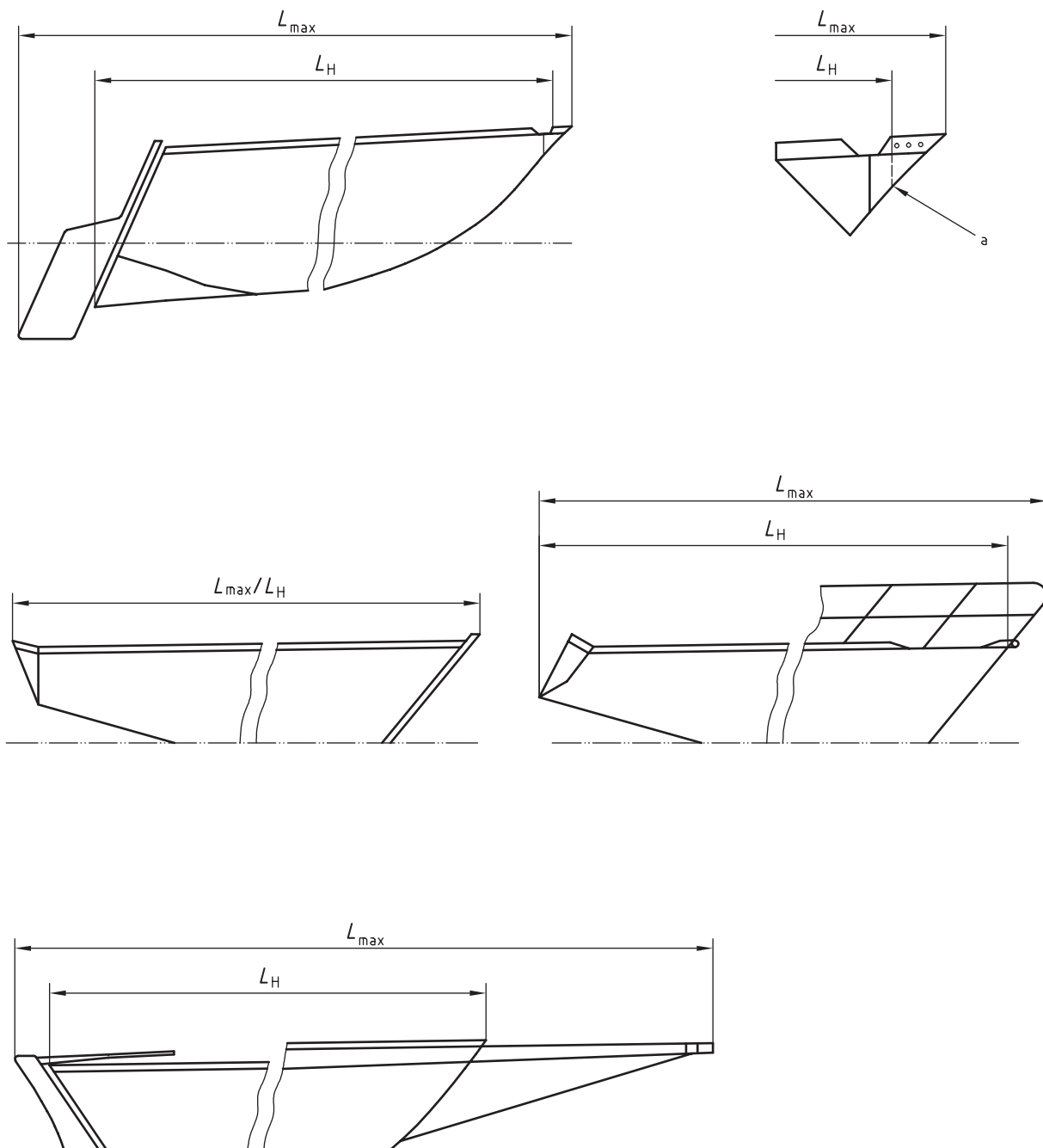
This length excludes removable parts that can be detached in a non-destructive manner and without affecting the structural integrity of the craft, e.g. spars, bowsprits, pulpits at either end of the craft, stemhead fittings, rudders, outdrives, outboard motors and their mounting brackets and plates, diving platforms, boarding platforms, rubbing strakes, and fenders if they do not act as hydrostatic support when the watercraft is at rest or underway.

With multihull craft, the length of each hull shall be measured individually. The length of the hull, L_H , shall be taken as the longest of the individual measurements.

See [Figure 1](#) for monohull measurements and [Figure 2](#) for multihull measurements.



a) Determination of L_{max} and L_H for monohull non-sailing boats



b) Determination of L_{max} and L_H for monohull sailing boats

Key

a Hull ends here.

Figure 1 — Determination of L_{max} and L_H for monohull craft

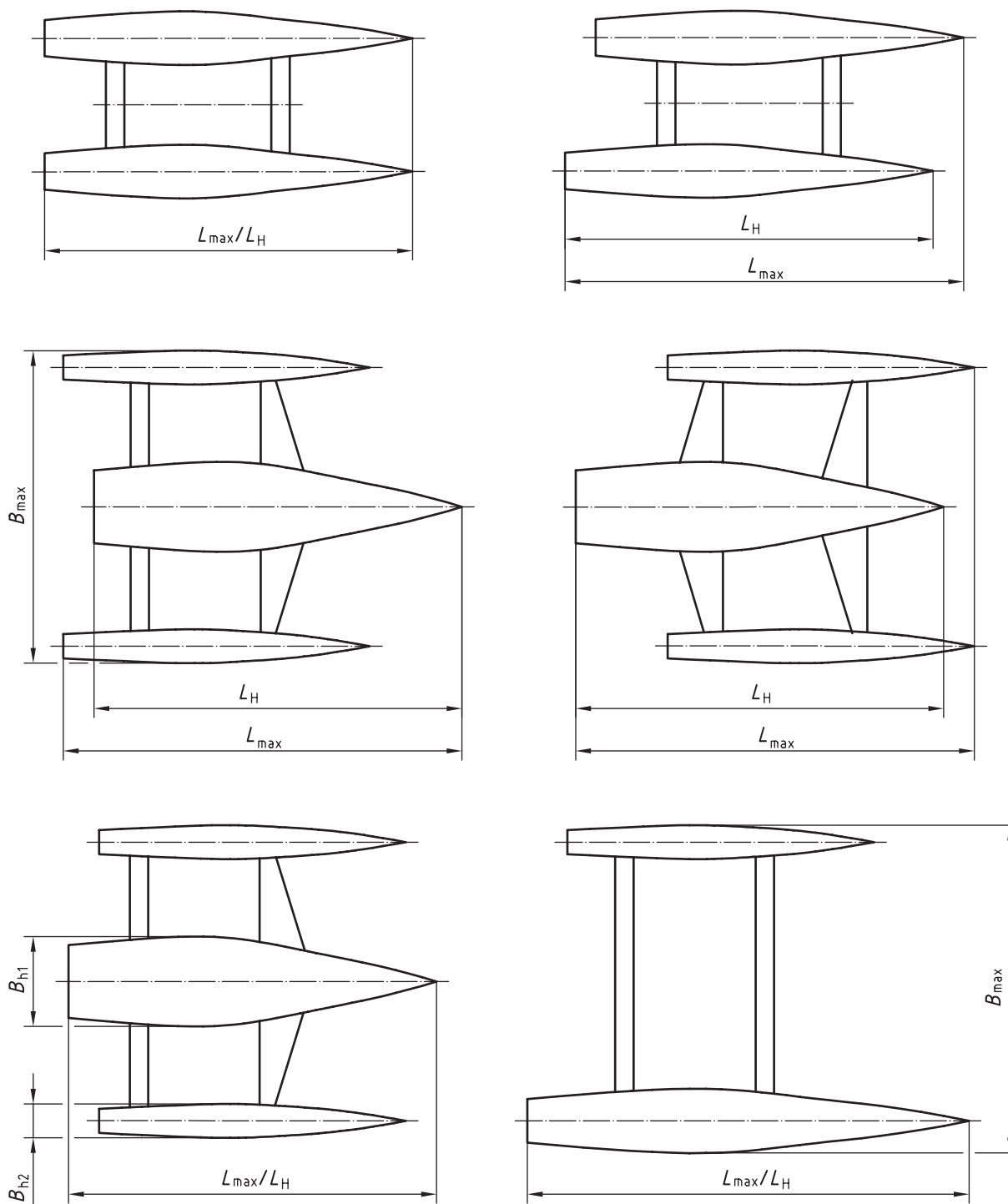


Figure 2 — Determination of L_{max} , L_H , B_{max} and B_H for multihulls

4.2.4 Waterline length, L_{WL}

The waterline length (L_{WL}) for a designated load condition and its corresponding design trim shall be measured in accordance with 4.2.1, one plane passing through the foremost intersection of the stem with the flotation plane and the other through the aftermost intersection of the hull and the flotation plane.

NOTE For multihull craft, L_{WL} relates to that of the longest individual hull.

4.3 Athwartship

4.3.1 General

Athwartship dimensions shall be measured as the distance between two vertical planes parallel to the centreplane of the craft when upright.

4.3.2 Maximum beam, B_{\max}

The maximum beam (B_{\max}) shall be measured in accordance with [4.3.1](#) between planes tangent through the outermost parts of the craft.

The maximum beam includes all structural or integral parts of the craft, such as extensions of the hull, hull/deck joints, extensions such as doublings, sheer planks, chain plates, rubbing strakes, permanent fenders, and liferails extending beyond the craft's side.

For multihulls, B_{\max} shall be measured as the beam across the outer hulls.

4.3.3 Beam of hull, B_H

The beam of the hull (B_H) shall be measured in accordance with [4.3.1](#) between the outermost permanently fixed parts of the hull.

The beam of the hull includes all structural or integral parts of the craft such as extensions of the hull, hull/deck joints, and bulwarks.

The beam of the hull excludes removable parts that can be detached in a non-destructive manner and without affecting the integrity of the craft, e.g. rubbing strakes, fenders, liferails and stanchions extending beyond the craft's side, and other similar equipment.

For multihulls, B_H shall be measured as the beam across the outer hulls.

See [Figure 3](#) for monohull measurements and [Figure 2](#) for multihull measurements.

4.3.4 Beam, waterline, B_{WL}

The beam at waterline (B_{WL}) shall be measured in accordance with [4.3.1](#) as the maximum distance between the intersection of the hull surface and the flotation plane for a specific loading condition.

For multihulls, the beam at waterline shall be established for each hull individually.

4.3.5 Maximum beam, waterline, $B_{WL\max}$

For multihulls only, the maximum beam at waterline ($B_{WL\max}$) shall be measured as the waterline beam across the outer hulls.

4.3.6 Beam between hull centers, B_{CB}

For catamaran and trimaran, the beam between hull centers (B_{CB}) shall be measured as the transverse distance between the centers of buoyancy of the outer hulls.

4.4 Vertical

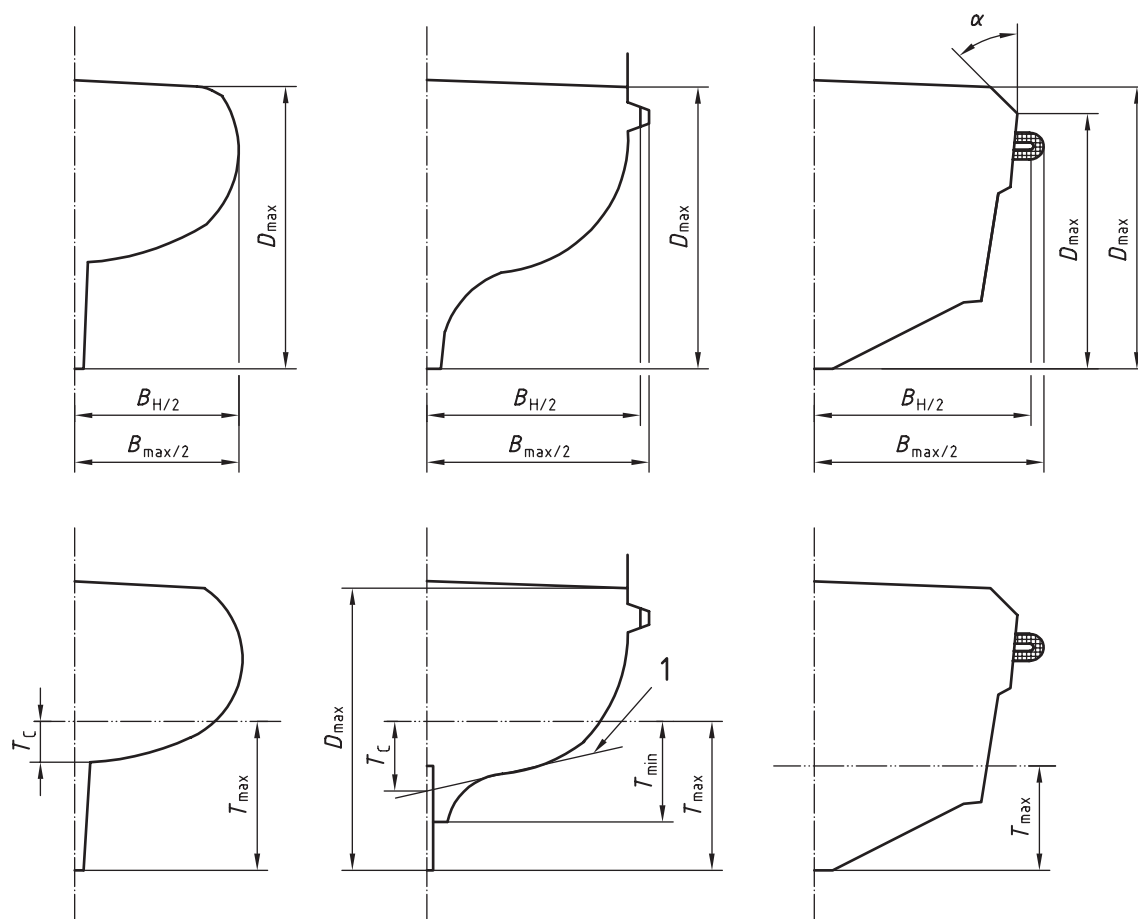
4.4.1 Maximum depth, D_{max}

The maximum depth (D_{max}) shall be measured as the vertical distance between the sheerline at half-length of the waterline (L_{WL}) and the lowest point of the keel.

NOTE With traditional long-keeled craft, the slope of the keel may result in increased draught aft which is not at half-length of the waterline or length of the hull.

4.4.2 Midship depth, $D_{LWL/2}$

The midship depth ($D_{LWL/2}$) shall be measured at half-length of the waterline (L_{WL}) as the distance between the sheerline and the lowest point of the keel at the same position.



Key

1 tangent

NOTE The upper position of D_{max} depends on the inclination between the hull/deck intersection and the actual deck. Where $\alpha \geq 45^\circ$, the lower position applies. Where $\alpha < 45^\circ$, the upper position applies.

Figure 3 — Determination of B_{max} , B_H , D and T

4.4.3 Freeboard, F

4.4.3.1 General

The freeboard (F) shall be measured as the vertical distance between the sheerline at the defined lengthwise location and the waterline in any specified loading condition.

4.4.3.2 Freeboard, aft, F_A

The aft freeboard (F_A) shall be measured in accordance with [4.4.3.1](#) at the aftermost point of the sheerline.

4.4.3.3 Freeboard, amidships, F_M

The amidships freeboard (F_M) shall be measured in accordance with [4.4.3.1](#) at half-length of the waterline, L_{WL} .

4.4.3.4 Freeboard, forward, F_F

The forward freeboard (F_F) shall be measured in accordance with [4.4.3.1](#) at the most forward point of the sheerline.

4.4.4 Draught, T

4.4.4.1 General

The draught (T) shall be measured as the vertical distance between the waterline in the fully loaded ready-for-use condition and a specific point of the underwater body (see [Figure 3](#)).

4.4.4.2 Draught, maximum, T_{max}

The maximum draught (T_{max}) shall be measured to the lowest point of the underwater body or appendage, including centreboards, in their lowest position.

4.4.4.3 Draught, minimum, T_{min}

The minimum draught (T_{min}) shall be measured to the lowest point of the craft or non-retractable appendage, whichever is lower. All movable underwater parts shall be in their uppermost possible position.

4.4.4.4 Draught, canoe body, T_C

The canoe body draught (T_C) shall be measured to the lowest point of the canoe body at the centreline of the craft. In cases where the keel form cannot be easily separated from that of the hull, the canoe body draught shall be determined by the intersection of the least steep tangent to the hull surface with the centreline plane.

NOTE Draft of canoe body excludes appendages such as rudders or skegs.

4.4.5 Draught, air, H_a

The air draught (H_a) shall be measured as the vertical distance between the flotation plane in the light craft condition and the highest point of the craft's structure or mast.

4.4.6 Headroom

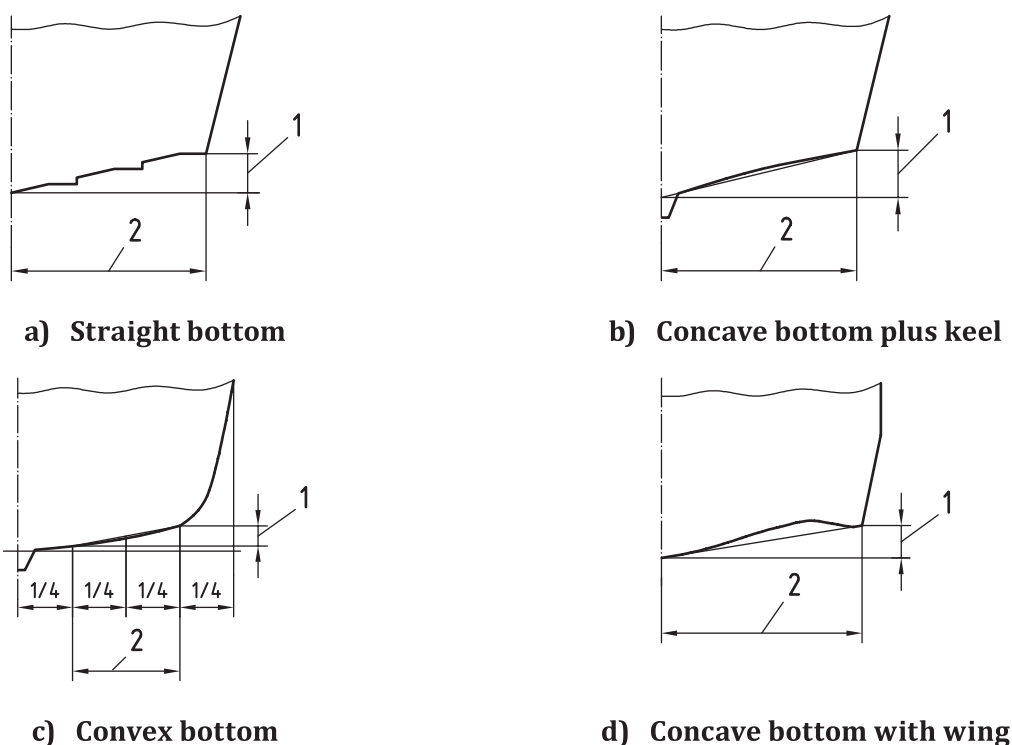
The headroom shall be measured as the vertical distance between the top of the cabin/compartment floor and the underside of the deck beam or deck head (whichever is lower) at a designated position. The manufacturer is free to state the headroom in other locations, e.g. above bunks.

4.5 Other data

4.5.1 Deadrise angle, β

The deadrise angle (β) is the angle of the bottom from the horizontal measured athwartship, at a specific position, in degrees. The measurement shall be taken as indicated in [Figure 4](#). β is derived by [Formula \(1\)](#).

$$\text{ArcTan} \frac{\text{Height}(1)}{\text{Width}(2)} \quad (1)$$



Key

- 1 height
2 width

NOTE 1 In Figure 4 a), steps and other protrusions are ignored.

NOTE 2 In Figure 4 b), deadrise is measured between keel intersection and chine.

NOTE 3 In Figure 4 c), deadrise is measured between $\frac{1}{4}$ and $\frac{3}{4}$ of $B_H/2$.

NOTE 4 In Figure 4 d), deadrise is measured between centreline and outer wing end.

Figure 4 — Determination of deadrise

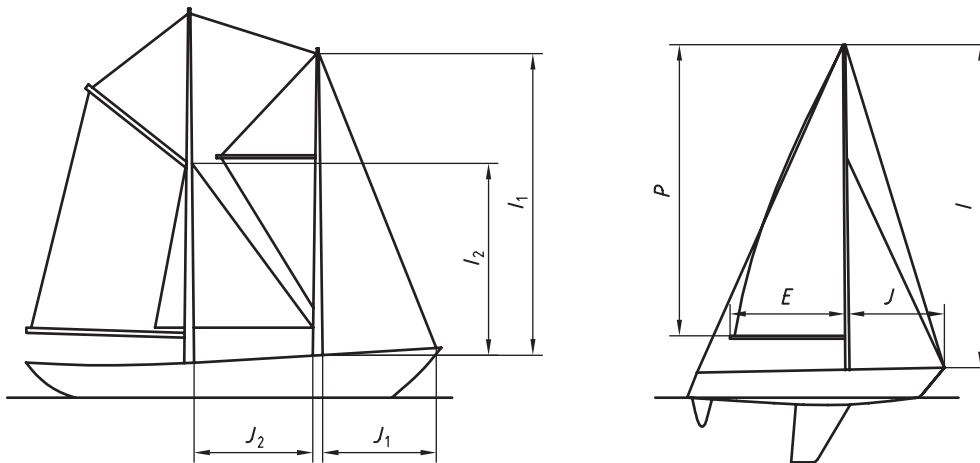
4.5.2 Reference sail area, A_S

Actual profile area of all sails set abaft a mast, plus the maximum profile areas of all masts, plus the reference triangle area(s) forward of each mast given by $IJ/2$ where I and J are measurements between the forward side of the mast, the aft side of the forestay, and the sheerline as shown in [Figure 5](#).

Where forestays between masts do not reach the deck, the area of the fore-triangle shall be taken as illustrated (I_2 and J_2), but only if sails are carried that may be set on the stays concerned.

4.5.3 Standard sail area, A'_S

Actual profile area of the largest sail plan suitable for windward sailing, including overlaps, and supplied or recommended by the builder as standard.



- Key**
- I height of fore triangle
 - J base of fore triangle
 - P height of mainsail
 - E base of mainsail

Figure 5 — Measurement of sail area

4.5.4 Windage area, A_{Iv}

Projected profile area of the hull, superstructures, deckhouses, outboard motors, and spars above the waterline at the appropriate loading condition, the craft being upright expressed in square metres.

4.5.5 Volume of the craft, V

4.5.5.1 General

The volume (V), in cubic metres, of a craft is given by [Formula \(2\)](#).

$$V = V_H + V_S \tag{2}$$

where

- V_H is the volume of the hull, in cubic metres;
- V_S is the volume of the superstructure, in cubic metres.

The volume of the craft shall be established either by accepted naval architectural methods or by an approximate assessment according to 4.5.5.2 and 4.5.5.3.

The volume shall be measured as follows (see Figure 6).

4.5.5.2 Volume of the hull, V_H

Using the approximate method, the volume of the hull shall be determined as follows (see Figure 6):

$$V_H = 0,15 L_H (B_0 D_0 + B_{20} D_{20} + B_{40} D_{40} + B_{60} D_{60} + B_{80} D_{80} + B_{100} D_{100}) \quad (3)$$

4.5.5.3 Volume of the superstructure, V_S

The volume of the superstructure (V_S) shall be the sum of the volume for each part of the superstructure above the sheerline/deck at the side. Any space that is open at no more than one side shall be incorporated in the calculation. Open in this sense means that no more than 10 % of the area may be covered.

Volumes of less than 0,05 m³ shall be omitted.

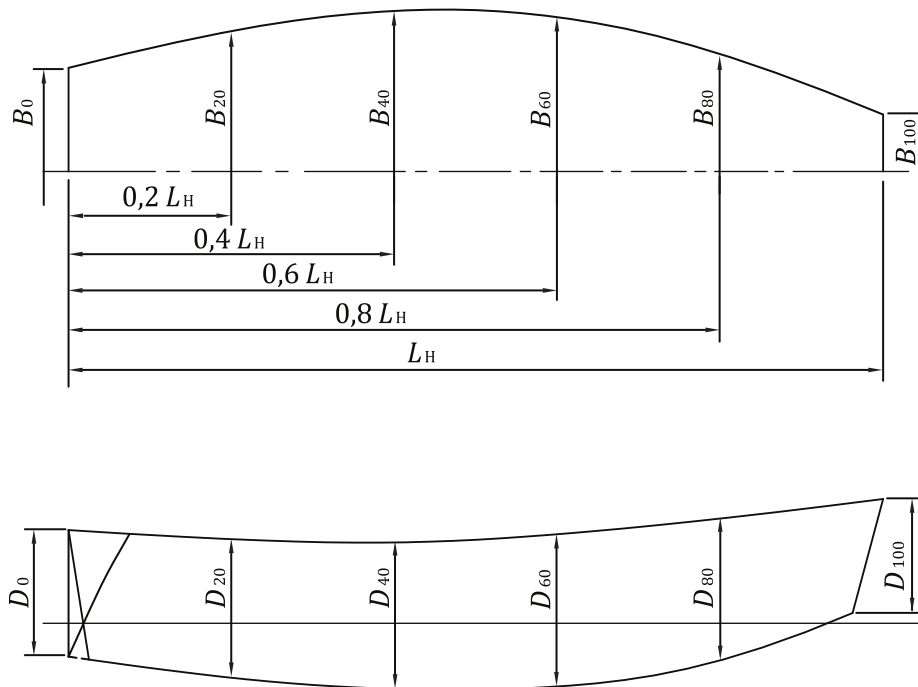


Figure 6 — Volume measurement

5 Masses

5.1 Mass, net shipping, m_N

The net shipping mass (m_N) shall include all permanent and loose equipment delivered with the craft by the manufacturer, but no shipping materials.

5.2 Mass, gross shipping, m_G

The gross shipping mass (m_G) is the net shipping mass, as defined above, plus shipping materials such as cradles, supports, fastening material, and covers.

5.3 Mass, light craft, m_{LC}

5.3.1 Items of equipment included in m_{LC}

5.3.1.1 General

The mass in the light craft condition (m_{LC}) (unladen mass of the craft) shall include items of equipment as listed below.

5.3.1.2 Structure

The structure comprises all the structural parts, including the ballast keel and/or centreboard/daggerboard(s) and rudder(s).

5.3.1.3 Ballast

The ballast comprises the removable ballast (whether solid or liquid) intended by the manufacturer to be carried when the craft is underway.

5.3.1.4 Internal structure and accommodation

The internal structure and accommodation are made up of bulkheads and partitions, insulation, lining, built-in furniture, flotation material, windows, hatches and doors, and upholstery material.

5.3.1.5 Engine and fuel system

5.3.1.5.1 Permanently installed engine and fuel systems

The permanently installed engine and fuel systems are comprised of inboard engine(s), including all supplies and controls as needed for their operation, and permanently installed fuel systems, including tanks.

5.3.1.5.2 Outboard engines

The mass of the craft shall be stated with the mass of the outboard motor(s) as follows:

- mass of the heaviest engine(s), as recommended by the craft manufacturer, irrespective of the fact that the manufacturer may have fitted a lighter engine and related equipment;
- mass of any permanently installed fuel system;
- mass of engine controls and steering system.

5.3.1.6 Internal equipment

The internal equipment includes the following:

- all items of equipment permanently attached to the craft, e.g. tanks, toilet system(s), water transfer equipment, bilge pumping system(s), cooking and heating devices, cooling equipment, ventilation system(s);
- electrical installation and equipment, including batteries;
- fixed navigational and electronic equipment;
- fire fighting equipment, where fitted;
- mattresses, curtains.

5.3.1.7 External equipment

For all craft, this includes the following:

- all permanently attached deck fittings, e.g. guardrails, pulpits and pushpits, bowsprits and their attachments, bathing platforms, boarding ladders, steering equipment, winches, sprayhood(s), awning(s), cockpit tables, gratings, signal mast(s), where fitted;
- anchor(s), anchor warps and chains;
- loose external equipment, e.g. fenders, warps, painters.

For craft with sailing rig(s), this includes the following:

- mast(s), boom(s), spinnaker poles and other pole(s), standing and running rigging, all upwind sails supplied or recommended by the builder, onboard and rigged ready for use, but not hoisted, e.g. mainsail on boom, roller furling sails furled, hanked foresails on stay stowed on foredeck.

5.3.2 Items of equipment and other items not included in m_{LC}

These items are the following:

- loose internal equipment, e.g. cutlery, crockery, kitchen utensils, linen;
- loose electronic and navigational equipment (e.g. charts);
- tools, spare parts;
- additional sails;
- personal safety and life-saving equipment;
- provisions;
- bilge water;
- waste water;
- potable water;
- fuel;
- portable fuel tanks;
- personal equipment;
- life-raft(s);
- dinghy(s);
- persons.

NOTE Liferafts are not included in essential safety equipment for design categories C and D.

5.4 Performance test mass, m_p

The performance test mass (m_p) of a craft shall include all permanently attached standard items of equipment. Further, the craft shall be fitted with all items of loose equipment needed for the safe operation of the craft, for example,

- warps,
- anchors/chain/ropes,

- engine(s), and
- batteries.

In addition, the masses of the following shall be included:

- number of persons needed for the safe operation of the craft;
- fuel at least at 25 %, but no more than 50 % of the tank capacity of permanently installed fuel tanks, or one portable tank per engine, which shall be at least 50 % full at the beginning of each test trial;
- personal safety equipment for all people on board.

Excluded are the following:

- fresh water;
- waste water;
- provisions;
- loose equipment, e.g. cutlery, crockery, kitchen utensils, spare parts, etc.

5.5 Mass of the craft when towed on a trailer, m_T

5.5.1 General

The mass of the craft when towed on a trailer (m_T) shall only be established for craft advertised as trailerable to allow the owner/user to identify the mass of additional equipment that may be carried without exceeding the trailer capacity.

The mass, m_T , shall include items of equipment as listed under [5.5.2](#), plus fastenings to secure the craft on the trailer.

The manufacturer/dealer shall provide a list of parts, components, and equipment that are included in the mass, m_T , as defined above and shall state the total sum, in kilograms (kg). This may be in the format of general or itemized descriptions (for items included).

Any items of equipment normally supplied by the manufacturer/dealer not intended to be placed in the craft or on the trailer shall be listed separately.

5.5.2 Items of equipment included in m_T

5.5.2.1 Structure

The structure is made up of all structural parts, including ballast keel and/or centreboard/daggerboard(s) and rudder(s).

If loose ballast or parts of the ballast keel are not to be stowed on the trailer, these parts shall be specifically declared and listed under the non-included equipment (see [5.5.3](#)).

5.5.2.2 Internal structure and accommodation

The internal structure and accommodation are made up of bulkheads and partitions, insulation, lining, built-in furniture, flotation material, windows, hatches and doors, and upholstery material.

5.5.2.3 Internal equipment

The internal equipment includes the following:

- all items of equipment permanently attached to the craft, e.g. toilet system(s), water transfer equipment, bilge pumping system(s), cooking and heating devices, cooling equipment, ventilation system(s);
- electrical installation and equipment, including batteries installed or delivered with the craft;
- fixed navigational and electronic equipment;
- fire-fighting equipment, where fitted;
- mattresses, curtains.

5.5.2.4 External equipment

For all craft, this includes the following:

- all permanently attached deck fittings, e.g. guardrails, pulpits and pushpits, bowsprits, and their attachments;
- bathing platforms, boarding ladders, steering equipment, winches, sprayhood(s), awning(s), cockpit tables, gratings;
- signal mast(s);
- anchor(s), anchor warps and chains;
- loose external equipment, e.g. fenders, warps, painters;

For craft with sailing rig(s), this includes the following:

- mast(s), boom(s), spinnaker and other pole(s), standing and running rigging, all upwind sails supplied or recommended by the builder, onboard and rigged ready for use, but not hoisted, e.g. mainsail on boom, roller furling sails furled, hanked foresails on stay stowed on foredeck.

5.5.2.5 Engine and fuel system

5.5.2.5.1 Permanently installed engine and fuel systems

The permanently installed engine and fuel systems are comprised of inboard engine(s), including all supplies and controls as needed for their operation, and permanently installed fuel systems including tanks.

5.5.2.5.2 Outboard engines

The mass of the craft shall be stated with the mass of the outboard motor(s) and related equipment as follows:

- mass of the heaviest engine(s), as recommended by the craft manufacturer, irrespective of the fact that the manufacturer may have fitted a lighter engine;
- mass of any permanently installed fuel system;
- mass of engine controls and steering system.

5.5.2.6 Tanks, tank contents

Tanks, tank contents include the following:

- contents of permanently installed fuel tanks;
- portable tanks and their contents;
- contents of fresh water tanks.

The mass of the liquids shall be calculated or measured up to the full usable tank volume.

5.5.3 Items of equipment not included in m_T

Items of equipment not included in m_T are the following:

- loose internal equipment, e.g. cutlery, crockery, kitchen utensils, linen;
- loose electronic and navigational equipment (e.g. charts);
- tools, spare parts;
- additional sails;
- personal safety and life-saving equipment;
- provisions;
- bilge water;
- ballast water;
- sewage water;
- bait tanks.

5.5.4 Exclusions, inclusions

The manufacturer/dealer may exclude items of equipment listed in [5.5.2](#) (inclusions) which shall then be specifically declared in the list of exclusions. These shall not include structural parts of the craft or permanently attached items of equipment needed for the safe operation of the craft.

If intending to include items listed in [5.5.3](#) (exclusions), the manufacturer shall amend the list of items included by adding these items of equipment.

5.6 Maximum load, m_{ML}

Load which the craft is designed to carry in addition to the light craft condition comprise of the following:

- the crew limit at 75 kg each;
- the personal effects of the crew;
- stores and cargo (if any), dry provisions, consumable liquids;
- contents of all permanently installed storage tanks filled to 95 % of their maximum capacity including fuel, drinking water, black water, grey water, lubricating and hydraulic oil, bait tanks and/or live wells plus ballast water at 100 % capacity;
- consumable liquids in portable tanks (drinking water, fuel) filled to 95 % of the maximum capacity;
- dinghy or other craft intended to be carried aboard and any outboard motor associated with them;

- liferaft(s), if carried in excess of the minimum required in essential safety equipment;
- non-edible stores and equipment normally carried on the craft and not included in the manufacturer's list of standard equipment, e.g. loose internal equipment and tools, spare parts, and additional anchors;
- an allowance for the maximum mass of optional equipment and fittings not included in the manufacturer's basic outfit.

NOTE 1 Liferafts are not included in essential safety equipment for design categories C and D. See ISO 12217 (all parts)^[4] for the description of design categories.

NOTE 2 As a guide, not less than 20 kg per person should be allowed for personal effects on habitable craft.

6 Loading conditions

6.1 Test condition

For the determination of the manoeuvring speed and maximum powering, the craft shall be equipped with masses according to [5.4](#).

6.2 Ready-for-use condition

The craft is in ready-for-use condition when it is fully equipped for the intended use with the following:

- filled-up fuel tanks;
- filled-up fresh water tanks;
- water in bait tanks and live wells to their designated limit.

The masses of the liquids shall be measured or calculated up to the full usable tank volume.

The masses of outboard motors and batteries shall correspond to the highest power rating with which the craft is intended to be equipped and to operate.

6.3 Fully loaded ready-for-use condition

The craft is equipped and loaded according to [6.2](#), but also includes the following:

- the mass of the persons (at 75 kg each) the craft is designed to carry, in their normal seating position in the cockpit;
- the mass of personal equipment and basic equipment of the craft of $(L_H - 2,5)^2$ kg, but not less than 10 kg;
- the mass of a life-raft(s) and/or dinghy(s) when intended to be carried.

The designer/manufacturer shall declare the mass and the related draught of the craft for this loading condition.

6.4 Empty craft condition

Empty craft, including fittings and equipment as listed below, but excluding all optional equipment and fittings not included in the manufacturer's basic outfit.

- a) **Structure:** Comprising all the structural parts, including any fixed ballast keel and/or drop keel, centreboard, daggerboard(s), and rudder(s). Any centreboard or keel is in the raised position, unless it can be fixed in the lowered position and an appropriate instruction is given in the owner's manual.

- b) Ballast: Any fixed ballast installed.
- c) Internal structure and accommodation: Bulkheads and partitions, insulation, lining, built-in furniture, flotation material, windows, hatches and doors, permanently installed mattresses, and upholstery materials.
- d) Permanently installed engine(s) and fuel system: Comprising inboard engine(s), including all supplies and controls as needed for their operation, permanently installed fuel systems, including tanks.
- e) Fluids in permanently installed systems: Residual working fluids as needed for their operation (see examples below), but excluding contents of fluid ballast systems and tanks, and main storage tanks which are included in maximum load.

EXAMPLE Fluids in hot or cold water, fuel, lubricating, or hydraulic oil systems.

- f) Internal equipment, including the following:
 - all items of equipment permanently attached to the craft, e.g. tanks, toilet system(s), water transfer equipment;
 - bilge pumping system(s), cooking and heating devices, cooling equipment, ventilation system(s);
 - electrical installation and equipment, including permanently installed batteries mounted in the position intended by the builder;
 - fixed navigational and electronic equipment;
 - fixed fire fighting equipment, where fitted.
- g) External equipment, including the following:
 - all permanently attached standard or specified deck fittings, e.g. guardrails, pulpits and pushpits, bowsprits and their attachments, bathing platforms, boarding ladders, steering equipment, winches, sprayhood(s);
 - awning(s), cockpit tables, gratings, signal mast(s), where fitted;
 - mast(s), boom(s), standing and running rigging, in the stowed position ready for use, but not set, all standing and running rigging in place.

6.5 Light craft condition

Empty craft condition, plus standard equipment, plus removable ballast (whether solid or liquid) when supplied and/or intended by the manufacturer to be carried when the craft is afloat, with elements positioned as follows:

- a) where provision is made for propulsion by outboard engine(s) of more than 3 kW, the heaviest engine(s) recommended for the craft by the manufacturer is(are) mounted in the working position(s);
- b) where batteries are fitted, they are mounted in the position intended by the builder and if there is no specific stowage provided for batteries, the mass of one battery for each engine over 7 kW is allowed for, and located within 1,0 m of the engine location;
- c) all upwind sails supplied or recommended by the builder, onboard and rigged ready for use, but not hoisted, e.g. mainsail on boom, roller furling sails furled, hanked foresails on stay stowed on foredeck;
- d) unless otherwise required, variable position elements (e.g. canting keels, movable solid ballast, tilting masts) are positioned symmetrically about the centreline of the craft.

6.6 Minimum operating condition

Craft in the light craft condition with the following additions:

- a) mass to represent the crew, positioned on the centreline near the main control position of the following:
 - 75 kg where $L_H \leq 8$ m;
 - 150 kg where $8 \text{ m} < L_H \leq 16$ m;
 - 225 kg where $16 \text{ m} < L_H < 24$ m;
- b) nonedible stores and equipment normally carried on the craft and not included in the manufacturer's list of standard equipment.

EXAMPLE Loose internal equipment and tools, spare parts, dishes, kitchenware and cutlery, additional anchors, dinghy, and outboard if carried aboard.

NOTE 1 Liquids in main storage tanks (e.g. fuel, drinking water, black and grey water, live wells, bait tanks, etc.) are excluded.

NOTE 2 Water ballast in tanks which are symmetrical about the centreline and which are intended by the builder to be used for variable asymmetric ballasting while under way is excluded.

6.7 Loaded arrival condition

Craft in the maximum load condition minus 85 % of the maximum capacity of fixed or portable storage tanks for fuel, oils, and drinking water and minus 90 % of edible stores, but including the worst combination of optional fittings or equipment with respect to stability.

6.8 Maximum load condition

Craft in the light craft condition with the maximum load added so as to produce the design trim, the crew being in positions typically used when the craft is underway.

7 Tolerances

7.1 Published data

Data are considered published if used as a specification in brochures or other written material used for marketing the craft. Published data shall be within the tolerances given in [Table 2](#). The tolerances given in [Table 2](#) do not apply to data in Technical Documentations which are used for the assessment and/or certification of a craft.

Table 2 — Tolerances for published data

Values in percent

Published data	Tolerance
Linear dimensions, rigid craft	±1
Linear dimensions, inflatable boats	±2,5
Sail areas	±5
Displacement	±10

NOTE Certain critical data will affect the permissible tolerances, e.g. maximum beam or maximum mass of the craft when towed on the trailer. In these cases, the plus-tolerance does not apply.

^a This speed relates to the craft in the test condition according to [6.4](#) if no other mass or loading condition is specified.

Table 2 (continued)

Published data	Tolerance
Volumes	±5
Masses	±5
Speed ^a	±5
NOTE Certain critical data will affect the permissible tolerances, e.g. maximum beam or maximum mass of the craft when towed on the trailer. In these cases, the plus-tolerance does not apply.	
^a This speed relates to the craft in the test condition according to 6.4 if no other mass or loading condition is specified.	

7.2 Preliminary specification

Preliminary specification of dimensions, displacement, and masses shall be identified by an appropriate term such as “preliminary”, “approximate”, “estimate”, “varies”, etc. If this applies, the tolerance shall not exceed ±5 % on dimensions and ±15 % on masses/displacement and volumes.

7.3 Reference lengths

References to length of hull “from 2,5 m” shall be taken as meaning “greater than or equal to 2 500 mm”.

References to length of hull “longer than 6 m” shall be taken as meaning “greater than 6 000 mm”.

References to length of hull “up to 24 m” shall be taken as meaning “less than 24 000 mm”.

References to length of hull “to 12 m” shall be taken as meaning “less than or equal to 12 000 mm”.

References to length of hull “less than 6 m” shall be taken as meaning “less than 6 000 mm”.

Bibliography

- [1] ISO 12217 (all parts), *Small craft — Stability and buoyancy assessment and categorization*

