

# INTERNATIONAL STANDARD

# ISO 8528-10

First edition  
1998-10-01

---

---

## Reciprocating internal combustion engine driven alternating current generating sets —

### Part 10: Measurement of airborne noise by the enveloping surface method

*Groupes électrogènes à courant alternatif entraînés par moteurs alternatifs  
à combustion interne —*

*Partie 10: Mesurage du bruit aérien par la méthode de la surface enveloppe*

This material is reproduced from ISO documents under International Organization for Standardization (ISO) Copyright License number IHS/ICC/1996. Not for resale. No part of these ISO documents may be reproduced in any form, electronic retrieval system or otherwise, except as allowed in the copyright law of the country of use, or with the prior written consent of ISO (Case postale 56, 1211 Geneva 20, Switzerland, Fax +41 22 734 10 79), IHS or the ISO Licensor's members.



Reference number  
ISO 8528-10:1998(E)

## Foreword

ISO (the International Organization for Standardization) is a worldwide federation of national standards bodies (ISO member bodies). The work of preparing International Standards is normally carried out through ISO technical committees. Each member body interested in a subject for which a technical committee has been established has the right to be represented on that committee. International organizations, governmental and non-governmental, in liaison with ISO, also take part in the work. ISO collaborates closely with the International Electrotechnical Commission (IEC) on all matters of electrotechnical standardization.

International Standards are drafted in accordance with the rules given in the ISO/IEC Directives, Part 3.

Draft International Standards adopted by the technical committees are circulated to the member bodies for voting. Publication as an International Standard requires approval by at least 75 % of the member bodies casting a vote.

This part of ISO 8528 was prepared by ISO Technical Committee ISO/TC 70, *Internal combustion engines*.

ISO 8528 consists of the following parts under the general title *Reciprocating internal combustion engine driven alternating current generating sets*:

- *Part 1: Application, ratings and performance*
- *Part 2: Engines*
- *Part 3: Alternating current generators for generating sets*
- *Part 4: Controlgear and switchgear*
- *Part 5: Generating sets*
- *Part 6: Test methods*
- *Part 7: Technical declarations for specification and design*
- *Part 8: Requirements and tests for low-power generating sets*
- *Part 9: Measurement and evaluation of mechanical vibrations*
- *Part 10: Measurement of airborne noise by the enveloping surface method*
- *Part 11: Dynamic, uninterrupted power supply systems*
- *Part 12: Emergency power supply to safety services*

Annex A and the Bibliography of this part of ISO 8528 are for information only.

© ISO 1998

All rights reserved. Unless otherwise specified, no part of this publication may be reproduced or utilized in any form or by any means, electronic or mechanical, including photocopying and microfilm, without permission in writing from the publisher.

International Organization for Standardization  
Case postale 56 • CH-1211 Genève 20 • Switzerland  
Internet iso@iso.ch

Printed in Switzerland

# Reciprocating internal combustion engine driven alternating current generating sets —

## Part 10:

### Measurement of airborne noise by the enveloping surface method

#### 1 Scope

This part of ISO 8528 defines measurement methods for the determination of airborne noise emitted by reciprocating internal combustion engine driven generating sets in such a way that the total of relevant noise emissions, e.g. exhaust and cooling system noise, together with all other sources of engine noise, are evaluated on a similar basis to yield comparable results. However, when the exhaust and cooling systems are ducted to a remote site their noise contribution is not to be included in this part of ISO 8528.

The essential noise emission characteristic value is the sound power level.

The results of measurement taken in accordance with this part of ISO 8528 are classified as either accuracy grade 2 or grade 3 depending on which acoustic measurement conditions are complied with. Accuracy grade 2 (i. e., engineering method in accordance with ISO 3744) requires the measuring area to be a substantially acoustic-free field over a reflecting plane (with an environmental correction  $K_{2A} \leq 2$  dB) and with negligible background noise level (background noise correction  $K_{1A} \leq 1,3$  dB). Accuracy grade 3 (i. e. survey method in accordance with ISO 3746) requires the environmental correction  $K_{2A}$  to be less or equal than 7 dB, and the background noise correction  $K_{1A}$  to be less or equal than 3 dB.

For the operation of a generating set under steady conditions this part of ISO 8528 allows for the calculation of the A-weighted sound power level as well as appropriate octave or one third octave sound power level for the appropriate accuracy grade.

This part of ISO 8528 applies to RIC engine driven AC generating sets for fixed and mobile applications with rigid or flexible mountings. It is applicable for land and marine use, excluding generating sets used on aircraft or to propel land vehicles and locomotives.

NOTE 1 This part of ISO 8528 has been developed for RIC engine driven AC generating sets, but it can also be applied to RIC engine driven DC generating sets.

NOTE 2 For some specific applications (e. g. essential hospital supplies, high rise buildings, etc.) supplementary requirements may be necessary. The provisions of this part of ISO 8528 should be regarded as a basis.

NOTE 3 True comparisons can only be made between generating sets when the measurement are classified in the same accuracy grade.

## 2 Normative references

The following normative documents contain provisions which, through reference in this text, constitute provisions of this part of ISO 8528. For dated references, subsequent amendments to, or revisions of, any of these publications do not apply. However, parties to agreements based on this part of ISO 8528 are encouraged to investigate the possibility of applying the most recent editions of the normative documents indicated below. For undated references, the latest edition of the normative document referred to applies. Members of ISO and IEC maintain registers of currently valid International Standards.

ISO 700:—<sup>1)</sup>, *Arc welding equipment — Welding power sources.*

ISO 3046-1:1995, *Reciprocating internal combustion engines — Performance — Part 1: Standard reference conditions, declarations of power, fuel and lubricating oil consumptions and test methods.*

ISO 3744:1994, *Acoustics — Determination of sound power levels of noise sources using sound pressure — Engineering method in an essentially free field over a reflecting plane.*

ISO 3746:1995, *Acoustics — Determination of sound power levels of noise sources using sound pressure — Survey method using an enveloping measurement surface over a reflecting plane.*

ISO 8528-1:1993, *Reciprocating internal combustion engine driven alternating current generating sets — Part 1: Application, ratings and performance.*

ISO 8528-2:1993, *Reciprocating internal combustion engine driven alternating current generating sets — Part 2: Engines.*

ISO 9614-1:1993, *Acoustics — Determination of sound power levels of noise sources using sound intensity — Part 1: Measurement at discrete points.*

ISO 9614-2:1996, *Acoustics — Determination of sound power levels of noise sources using sound intensity — Part 2: Measurement by scanning.*

ISO 11203:1995, *Acoustics — Noise emitted by machinery and equipment — Determination of emission sound pressure levels at a work station and at other specified positions from the sound power level.*

IEC 60804: 1985, *Integrating-averaging sound level meters.*

## 3 Terms and definitions

For the purposes of this part of ISO 8528 the following terms and definitions apply:

- for acoustics, those in accordance with ISO 3744 and ISO 3746;
- for the reciprocating internal combustion engine the terms in accordance with ISO 3046-1;
- for generating sets the terms in accordance with ISO 8528-1 and ISO 8528-2.

---

1) To be published. (Revision of ISO 700:1982)

## 4 Symbols

$i$	Subscript denoting a particular measuring point
$K_{1A}$	Background noise correction
$K_{2A}$	Environmental correction
$\overline{L_p}$	Average octave or one third octave sound pressure level after correction for background noise and environmental influence in decibels
$\overline{L_{pA}}$	Averaged A-weighted sound pressure level after correction for background noise and environmental influence in decibels
$L_{pAi}$	A-weighted sound pressure level at measuring point $i$ in decibels
$L_{pi}$	Octave or one third octave sound pressure level at measuring point $i$ in decibels
$L_S$	Measuring surface dimension
$L_{WA}$	A-weighted sound power level
$L_{Woct}$	Octave sound power level
$L_{W1/3 oct}$	One third octave sound power level
$n$	Number of measuring points
$S$	Measuring surface
$S_0$	Reference measuring surface
$\Delta L_p$	Difference of sound pressure level in decibels
$\Delta L_{WA}$	Difference of A-weighted sound power level
$\cos\phi$	Power factor

## 5 Other regulations and requirements

**5.1** For generating sets used on board ships and offshore installations which have to comply with the rules of a classification society, the additional requirements of the classification society shall be observed. The classification society shall be stated by the customer prior to placing the order.

For nonclassified generating sets, such additional requirements are in each case subject to agreement between the manufacturer and customer.

**5.2** If special requirements from regulations of any other authority, e. g. inspecting and/or legislative authorities, have to be met, the authority shall be stated by the customer prior to placing the order.

Any further additional requirements shall be subject to agreement between the manufacturer and customer.

## 6 Designation of the method

The method of noise measurement according to this part of ISO 8528, grade 2, is designated as follows.

### **Noise measurement ISO 8528-10 grade 2.**

The method of noise measurement according to this part of ISO 8528, grade 3, is designated as follows.

### **Noise measurement ISO 8528-10 grade 3.**

## 7 Measuring equipment

The requirements for measuring equipment are those in accordance with ISO 3744 and ISO 3746.

## 8 Measuring object

The noise of a generating set is defined as the total noise emitted by that generating set. This includes the surface noise of the engine and the generator, the inlet noise, exhaust noise and the noise emitted from the cooling system of the engine and the fan of the generator and also the noise which will, for example, be emitted from the joining sections and the baseframe.

In case of totally or partially encapsulated generating sets the surface noise is the noise emitted from the enclosure.

If, in a special case, one of the above mentioned noise emissions is not in the measurement results then this shall be recorded in the measuring report.

## 9 Operating conditions of the generating set

### 9.1 General

The generating set shall be prepared in accordance with the instructions given by the manufacturer.

In practice the same generating set is operated under various operating conditions depending upon application and conditions on site, therefore other operating conditions as laid down in 9.2 or 9.3 may be used.

For the torque a tolerance of  $\pm 10\%$  is acceptable for the acoustic results.

When the measurements are taken, the ambient and air inlet temperatures shall be not higher than 320 K. The generating set speed, average electrical power output, ambient temperature and type of fuel and cetane index used during the test shall be recorded in the measuring report because of their influence on the noise emission.

### 9.2 Generating set (power generator)

The generating set shall operate at a steady power output at 75 % of its rated power in kilowatts.

The given output, i.e. the useful output calculated on the basis of the given output in kilovoltamperes under the application of the power factor ( $\cos \varphi$ ) shall be reported.

NOTE The operating conditions given here are identical to those defined in EEC Council Directive 84/536/EEC (currently under revision)

### 9.3 Generating set (welding generator)

This shall be driven as specified in accordance with ISO 700 and produce its rated welding output against a resistance.

NOTE The operating conditions given here are identical to those defined in EEC Council Directive 84/535/EEC (currently under revision)

### 9.4 Mounting of the generating set

The generating set should be installed on a typical noise-reflecting ground plane of concrete or nonporous asphalt. The distance from the source to the next wall of the test cell should be twice the distance between source and microphone. Trailer mounted units should be installed according to the manufacturer's recommendation.

## 10 Measuring surface, measuring distances and measuring points

See figures 1 to 4.

### 10.1 Reference hemisphere and measuring surface

For measuring the sound power level in a hemisphere, the requirement of the EC-Directives 84/535/EEC and 84/536/EEC shall be met.

### 10.2 Reference parallelepiped and measuring surface

A reference grid shall be established on the surfaces of the smallest possible hypothetical parallelepiped around the generating set. Elements protruding from the engine and which are not significant emitters of sound energy may be disregarded.

For safety reasons the reference grid may be enlarged to remove measuring points from the dangerous areas, for example hot surfaces and moving parts. The measuring surface follows this rectangular surface at a distance, "d", and finishes at a noise-reflecting surface on the mounting.

### 10.3 Measuring distance

The measuring distance, "d", between the reference parallelepiped and the measuring surface is 1 m. In cases where this is not possible the measuring distance shall be at least 0,5 m. Greater measuring distances can only be used if environmental conditions in accordance with ISO 3744 and ISO 3746 apply.

### 10.4 Number and arrangement of measuring points

Basically the measuring points should be arranged equidistantly along the measuring surface and completely enclose the noise area. The number depends upon the size of the generating set and the uniformity of the noise field. The arrangement and the number of the measuring points on the measuring surface depends on the measurements  $l_1$ ,  $l_2$  and  $l_3$  of the reference grid and are shown in figures 1 to 4.

The arrangement of measuring points for the accuracy grades 2 and 3 do not differ. The measuring points shown in figures 2, 3 and 4 are, compared with those in ISO 3744 and ISO 3746, simplified.

Preliminary investigations have shown that for the appropriate generating sets the A-weighted sound power level determined as a result of the measurement at only five measuring points (measuring points 1, 2, 3, 4 and 9 in figure 1), is normally higher than with the arrangement at nine measuring points by a level difference  $\Delta L_{WA}^{(2)}$

2) Numerous tests have shown that for different types of engine,  $\Delta L_{WA}$  has a value between 0,7 dB and 1,8 dB.

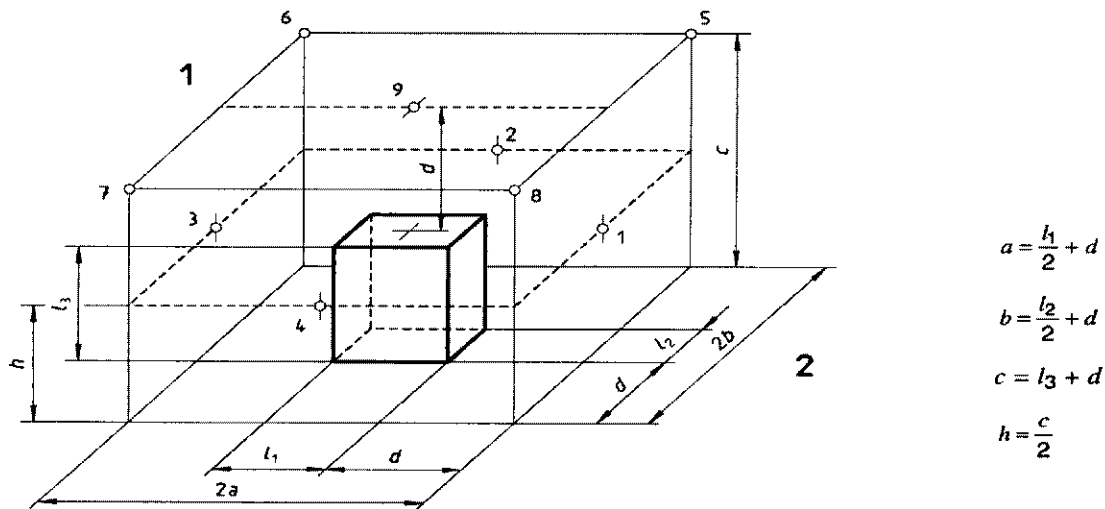
For a given type of engine, preliminary investigations shall be made to show that the range of  $\Delta L_{WA}$  does not exceed 0,5 dB, otherwise the measuring points cannot be reduced to five points only.

In relation to figures 2, 3 and 4, for the engineering and survey method the number of microphone positions specified is less than that specified in ISO 3744 and ISO 3746. Preliminary investigations have shown that in all cases for the types of engines concerned, the A-weighted surface sound pressure levels from these reduced arrays differ by less than 0,5 dB in comparison with the full arrays.

Should one of the measuring points shown in the figures not be accessible due to lack of space or other reasons, the measuring point on the measuring plane can be moved along its measuring surface, provided that the distance from the previous measuring position be as small as possible. The position of the altered measuring point shall be shown in the measurement report.

In the area of the inlet air and exhaust gas openings, microphones shall be arranged so that they will not encounter air/gas movements. At present the simplified measuring method is not available for generating sets larger than that shown in figure 1 due to lack of expertise.

For all measuring points the following apply.

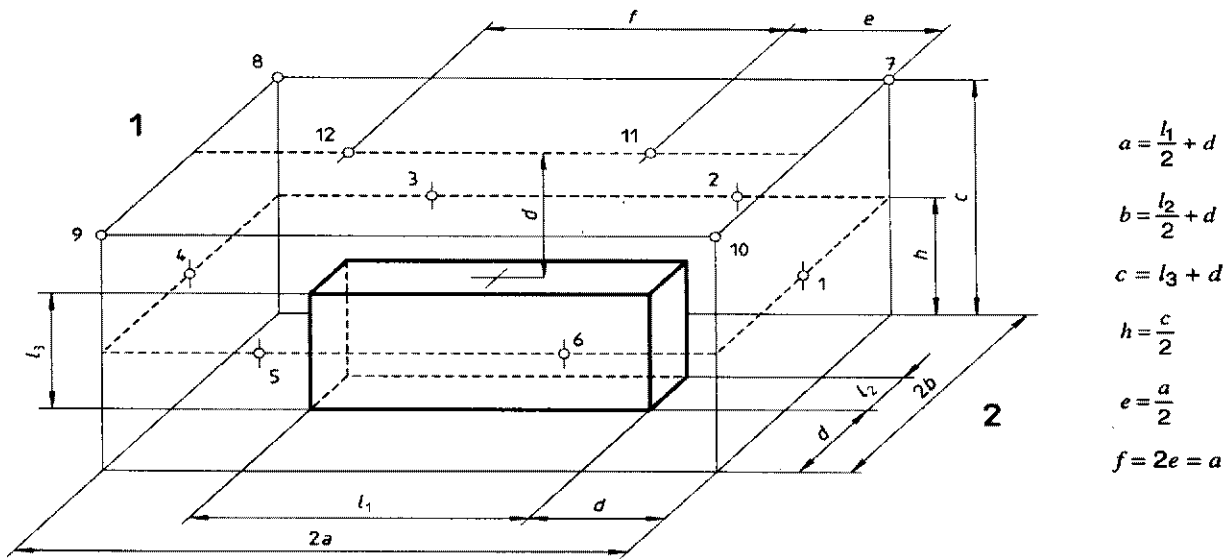


**Key**

- 1 Engine side
- 2 Generator side

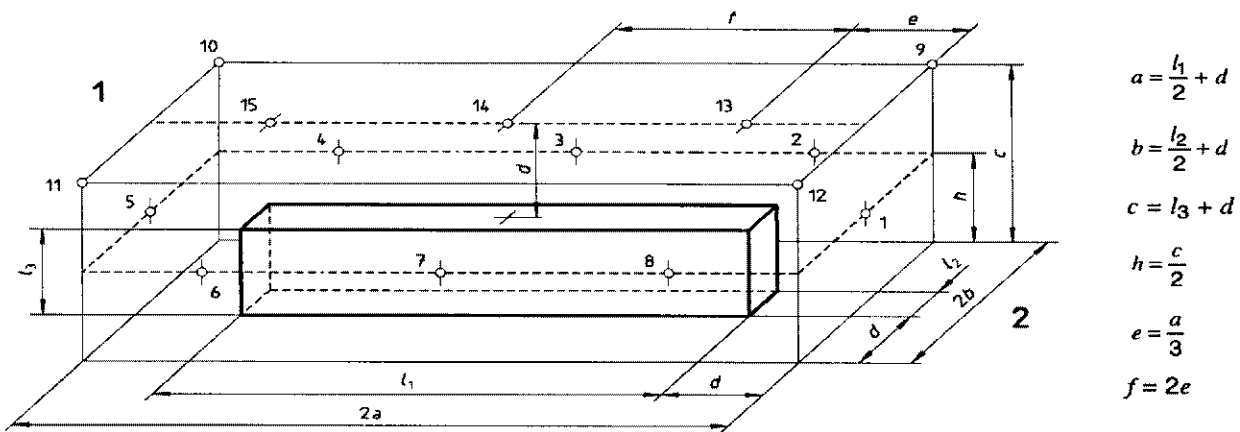
**Figure 1 — Measuring point arrangement (nine measuring points) and measuring plane for generating sets with the reference rectangle measurements:  $l_1 < 2$  m;  $l_2 < 2$  m;  $l_3 < 2,5$  m**





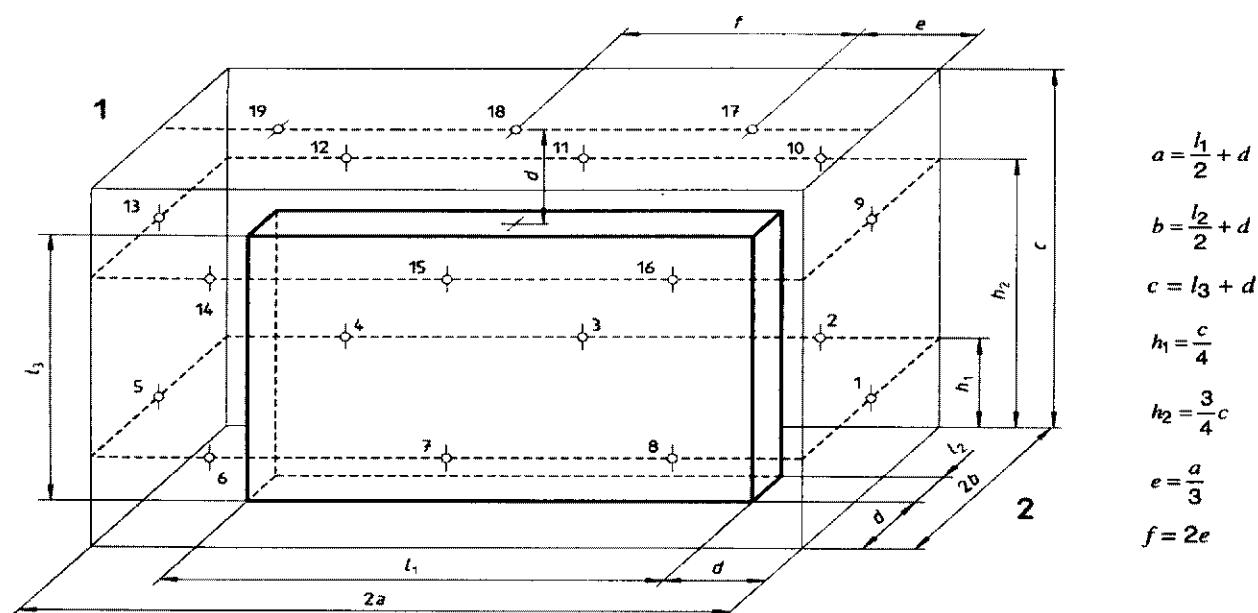
**Key**  
 1 Engine side  
 2 Generator side

**Figure 2 — Measuring point arrangement (12 measuring points) and measuring plane for generating sets with the reference rectangle measurements:  $2 \text{ m} < l_2 < 4 \text{ m}$ ;  $l_3 \leq 2,5 \text{ m}$**



**Key**  
 1 Engine side  
 2 Generator side

**Figure 3 — Measuring point arrangement (15 measuring points) and measuring plane for generating sets with the reference rectangle measurements:  $l_1 > 4 \text{ m}$ ;  $l_3 \leq 2,5 \text{ m}$**

**Key**

- 1 Engine side  
2 Generator side

**Figure 4 — Measuring point arrangement (19 measuring points) and measuring plane for generating sets with the reference rectangle measurements:  $l_1 > 4$  m and/or  $l_3 > 2,5$  m**

## 11 Measuring environment

### 11.1 Criteria for the reflection characteristics of the measuring environment

In order to obtain a test result for grade 2 it is required that the calculated correction factor  $K_{2A} \leq 2$  dB. This environmental correction factor is to be calculated in accordance with ISO 3744 and ISO 3746.

In order to arrive at grade 3 it is necessary to have an environment with the environmental correction  $K_{2A} \leq 7$  dB.

In many cases due to the reality of the acoustic properties of the measuring area and the test bed conditions (this occurs predominantly with larger generating sets) only grade 3 may be obtainable. In special cases with the agreement of the customer or the accepting company or authority, the grade may be improved with the use of special measuring methods (e.g. sound intensity method in accordance with ISO 9614-1 and ISO 9614-2).

Noise generated by air movement at the microphone itself, is classified as background noise. For measuring out of doors a microphone wind cover in accordance with the microphone manufacturer's specification, shall be used. When measurements are done outside the maximum speed of the wind shall not exceed 6 m/s.

### 11.2 Criteria for background noise

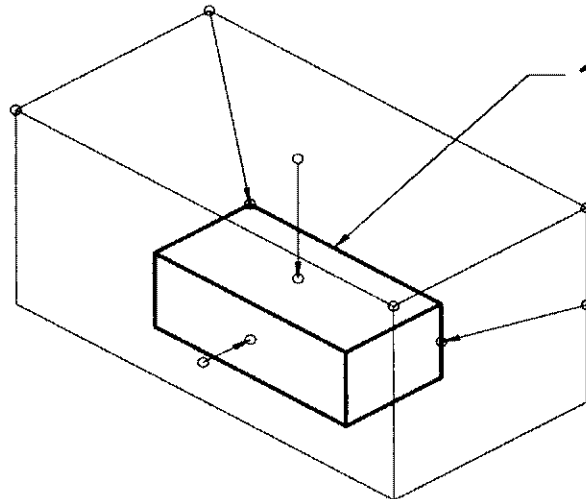
Background noise is taken to be that noise which is not emitted by the generating set under test, or that which is emitted by openings or component parts which are not the object of measurement (see clause 8). For the application of the measuring procedures to obtain grade 2 the background noise correction factor  $K_{1A}$  shall not exceed 1,3 dB.

For the grade 3 classification the background noise correction factor  $K_{1A}$  shall not exceed 3 dB (see clauses 12 and 13). The background noise correction shall be determined according to ISO 3744 or ISO 3746.

## 12 Measurement procedure

### 12.1 General

Environmental conditions may have a detrimental influence on the measuring microphone. The effect of such influences (for example strong electrical or magnetic fields, air or wind movement on the generating set being tested, as well as high or low temperatures) shall be avoided through the choice of microphone and/or the establishment of the appropriate microphone position. The microphone is directed at right angles to the measuring plane, but in the corners the microphone is directed to the respective corner of the reference grid (see figure 5).



#### Key

1 Reference grid

Figure 5 — Direction of microphone on the corner

In an effort to reduce the influence on measured results due to people involved in the measuring process, the microphone should preferably be mounted statically. The measuring personnel should remain at least 1,5 m from the microphone.

### 12.2 Precautions when measuring with a sound level meter

A "slow" time weighting characteristic of the sound level meter should be selected for the measurements. If the variation of the A-weighted sound pressure level is less than  $\pm 1$  dB the noise shall be considered steady. The average between maximum and minimum level during the observation period shall be used as the result of measurement. If the variation during the observation period is greater than  $\pm 1$  dB the sound shall be considered non-steady. If the sound is non-steady the result shall be rejected and the measurements shall be carried out with an integrating sound level meter.

### 12.3 Precautions when measuring with integrating sound level meter(s)

If an integrating sound level meter system according to IEC 60804 is used it is necessary that the integration time equal that of the measuring time.

## 12.4 Measurement during the operation of the generating set

The measuring plane shall be determined and the correct microphone position chosen. With the generating set operating in accordance with the operating conditions given in clause 9 the A-weighted total sound pressure level and, if specified by agreement between manufacturer and customer, the octave or one-third octave sound pressure level, with the required frequency range can be measured at each microphone position. Simultaneous measurements at all microphone positions are not necessary. The measuring time at all measuring points shall be at least 10 s.

The minimum frequency range shall include the octave bands or 1/3 octave bands with centre frequencies from 63 Hz to 8 000 Hz. If necessary additional measurements shall be taken at lower frequencies to ensure that significant low frequency components are included.

## 12.5 Background noise measurement

The measurement shall show information about the background noise level that is of importance to the noise measurement of the generating set.

The A-weighted sound pressure level, and, if specified by agreement between manufacturer and customer, the octave or one-third octave sound pressure level within the required frequency range shall be measured at each microphone position. The measuring time shall be at least 10 s at all measuring points.

## 13 Determination of the A-weighted sound power level

### 13.1 Background noise correction $K_{1A}$

The A-weighted sound pressure level and, so far as is possible, octave or one-third octave sound pressure level, measured at the respective microphone positions during operation of the generating set are first of all corrected, relative to the influence of background noise in accordance with ISO 3744 and ISO 3746.

$$K_1 = 10 \lg \left( 1 - \frac{1}{10^{0,1\Delta L}} \right) \text{ dB} \quad \dots(1)$$

Table 1 gives correction factors for  $K_{1A}$  to enable the user to take into consideration the background noise dependent upon the difference  $\Delta L$  in decibels between the sound pressure level of the machine in the use and the average sound pressure level of the background noise alone.

Table 1 — Correction factors for  $K_{1A}$

$\Delta L$ dB	$K_{1A}^a$ dB	Grade
3	3,0	3
4	2,2	
5	1,7	
6	1,3	2
7	1,0	
8	0,7	
9	0,6	
10	0,5	
>10	0,0	

a To be subtracted from the sound pressure level measured with the generating set operating.

### 13.2 Calculation of the measuring surface sound pressure levels

The measured sound pressure levels  $L_p$  shall be averaged on the measurement surface and be corrected considering background noise and environment by using the following equations:

$$\overline{L_{pA}} = \left[ 10 \lg \left( \frac{1}{n} \sum_{i=1}^n 10^{0,1 L_{pAi}} \right) - K_{2A} \right] \text{dB} \quad \dots(2)$$

$$\overline{L_p} = \left[ 10 \lg \left( \frac{1}{n} \sum_{i=1}^n 10^{0,1 L_{pi}} \right) - K_2 \right] \text{dB} \quad \dots(3)$$

where:

$L_{pAi}$  is the A-weighted sound pressure level at measuring point  $i$ ;

$L_{pi}$  is the octave or one-third octave sound pressure level at measuring point  $i$ ;

$\overline{L_{pA}}$  is the averaged A-weighted sound pressure level, in decibels, after correction for background noise and environmental influence;

$\overline{L_p}$  is the averaged octave or one-third octave sound pressure level, in decibels, after correction for background noise and environmental influence;

$n$  is the total number of measuring positions;

The reference sound pressure level is 20  $\mu\text{Pa}$ .

The correction factors  $K_{2A}$  or  $K_2$  for the measuring area shall be determined using ISO 3744 and ISO 3746.

NOTE 1 If the range of  $L_{pi}$  lies within at least 5 dB a more simple arithmetic average may be used. This value will not differ more than 0,7 dB from the value calculated using equations (2) and (3).

NOTE 2 For microphone arrays consisting of five positions according to 10.4 the surface pressure level is calculated as follows:

$$\overline{L_{pA}} = \left[ 10 \lg \left( \frac{1}{n} \sum_{i=1}^n 10^{0,1 L_{pi}} \right) - K_{1A} - \Delta L_{WA} - K_2 \right] \text{dB} \quad \dots(4)$$

where  $n = 5$ .

### 13.3 Measuring surface area $S$ , measuring surface dimensions $L_S$ and sound power level $L_{WA}$

The shape of the measuring surface, according to is the surface of a parallelepiped.

The area of the measuring surface, in square metres, is given by  $S$ .

$$S = 2 \times 2ac + 2 \times 2bc + 2a \times 2b$$

for a solid floor and

$$S = 2 \times 2a(c + d) + 2 \times 2b(c + d) + 2 \times 2a \times 2b$$

for an absorbent floor.

In both examples:

- 2a is the rectangular parallelepiped length (reference rectangular parallelepiped length ( $l_1$ ) + 2 × measuring distance);
- 2b is the rectangular parallelepiped width (reference rectangular height parallelepiped width ( $l_2$ ) × measuring distance);
- 2c is the rectangular parallelepiped height (reference rectangular parallelepiped height (reference rectangular parallelepiped height ( $l_3$ ) from floor + measuring distance).

The measuring surface area only needs to be determined approximately. A deviation of 5 % in measuring surface area gives an error of 0,2 dB.

The measuring surface dimensions  $L_S$  and the A-weighted sound power level  $L_{WA}$  or the one-third or octave sound power level  $L_{W1/3 \text{ oct}}$  or  $L_{W\text{oct}}$  are calculated according to ISO 3744 and ISO 3746.

$$L_W = \overline{L_p} + 10 \lg \left( \frac{S}{S_0} \right) \quad (5)$$

where

$L_W$  is the A-weighted or band power level of the source in decibels;

$\overline{L_p}$  is the surface sound pressure level;

$S$  is the area of the measurement surface, in square metres;

$S_0 = 1 \text{ m}^2$ .

## 14 Determination of the emission sound pressure level

In this part of ISO 8528 the emission sound pressure level  $L_p$ , is determined according to ISO 11203.

No additional measurements are necessary for the determination;  $L_p$  is calculated directly from the sound power level  $L_W$  determined according to clause 13:

$$\overline{L_p} = L_W - 10 \lg \left( \frac{S}{S_0} \right)$$

where  $S$  is the area of the measurement surface enveloping the machine (the reference box/parallelepiped) at 1 m distance.

$S_0 = 1 \text{ m}^2$

This means  $\overline{L_p}$  is the 1 m distance surface sound pressure level.

## 15 Accuracy of the procedure and uncertainty of the measurement results

Reference shall be made to ISO 3744, and ISO 3746. Until now there have been not enough measurements made for a statement to be issued regarding a standard deviation of reproducibility particular to generating sets.

## 16 Measurement report (measurement record)

### 16.1 General

The report of measurements carried out in accordance with this part of ISO 8528 shall contain a statement of the procedure according to clause 6 and the data given in 16.2 to 16.5.

### 16.2 Data of the generating set being tested

- Manufacturer
- Type
- Serial number
- Dimensions
- Details of enclosure, if applicable
- Rated output (kW)
- Generating set speed
- Mounting arrangement
- Manufacturer of the internal combustion engine
- Type of the internal combustion engine
- Engine serial number
- Type and arrangement of the inlet system
- Type and arrangement of the exhaust system
- Type of generator cooling
- Type and arrangement of engine cooling
- Type of fuel
- Manufacturer of the generator
- Type of the generator including details of the generating set arrangement
- Generator serial number

### 16.3 Details of measurement conditions

(See clauses 9, 10 and 11)

- Average electrical output in kilowatts
- Generating set speed
- Ambient temperature
- Humidity
- Measurement and relevant acoustic conditions of the ground, ceiling and walls
- Arrangement of generating set in the measuring area
- Details of the weather when measuring outside, including wind speed

### 16.4 Measuring equipment used

- Manufacturer(s)
- Type(s)
- Serial number(s)
- Calibration procedure used
- Place and date of calibration

### 16.5 Measuring values and measuring results

(See clause 13)

- Sound pressure level  $L_{pA_i}$  at all measuring points
- Background noise level correction factor  $K_{1A}$
- Environmental correction factor  $K_{2A}$
- Averaged A-weighted sound pressure level  $\bar{L}_{pA}$
- Measuring surface area  $S$  and measuring surface dimension  $L_S$
- A-weighted sound power level  $L_{WA}$
- Place, date, time as well as those responsible for carrying out the measurements.



## 17 Summary report

The measuring report must contain at least the following information.

- a) reference to this part of ISO 8528; i.e. ISO 8528-10;
- b) characteristics of the procedure according to clause 5;
- c) place and date and the names of those responsible for carrying out the measurements
- d) detail of the generating set being tested (including configuration);
- e) manufacturer;
- f) type;
- g) details of enclosure, if applicable;
- h) type of combustion air inlet system;
- i) type of exhaust gas system;
- j) electrical output during the measurement (according to clause 9);
- k) generating set speed during measuring;
- l) measurement results;
- m) sound power level  $L_{WA}$ .

## **Annex A**

### **(informative)**

#### **Relation to existing EEC-directives**

The measurement method defined in this part of ISO 8528, for establishing the sound power level of a generating set, is based on the requirements as specified in the standards ISO 3744 and ISO 3746. The measurement method described in the EEC directives 84/535/EEC and 84/536/EEC specify measurement of the sound pressure level in a hemisphere with a much greater measuring distance. Previous results have shown that measurements of sound power level over a parallelepiped measuring area, with a measuring distance of  $d = 1$  m, have achieved the accuracy required for the measuring results at low cost. The necessary boundary conditions for this method, i.e. sufficiently large measuring area, low external noise level, make it extremely difficult for the tests to be carried out according to the regulations. Extensive experiments have shown that with both methods, comparable measurement results can be obtained.

For the calculation of the noise level emission for generating sets which are used on building sites or in the building industry within the European Community, the principles of the EEC directives 84/535/EEC (for welding generators) and 84/536/EEC (for power generators) should be observed.

## Bibliography

- [1] ISO 3046-3:1989, *Reciprocating internal combustion engines — Performance — Part 3: Test measurements.*
- [2] ISO 3046-4:1997, *Reciprocating internal combustion engines — Performance — Part 4: Speed governing.*
- [3] 84/535/EEC, Council Directive of 17 September 1984 on the approximation of the laws of the Member States relating to the permissible sound power levels of welding generators.
- [4] 84/536/EEC, Council Directive of 17 September 1984 on the approximation of the laws of the Member States relating to the permissible sound power levels of power generators

---

---

**ICS 17.140.20; 29.160.40**

**Descriptors:** generating sets, motor generator sets, noise (sound), engine noise, airborne sound, tests, acoustic tests, acoustic measurements.

Price based on 17 pages

---

---