
**Paper and board — Measurement of
specular gloss —**

**Part 3:
20° gloss with a converging beam,
TAPPI method**

*Papier et carton — Mesurage du brillant spéculaire —
Partie 3: Brillant à 20° avec un faisceau convergent, méthode
TAPPI*



COPYRIGHT PROTECTED DOCUMENT

© ISO 2016, Published in Switzerland

All rights reserved. Unless otherwise specified, no part of this publication may be reproduced or utilized otherwise in any form or by any means, electronic or mechanical, including photocopying, or posting on the internet or an intranet, without prior written permission. Permission can be requested from either ISO at the address below or ISO's member body in the country of the requester.

ISO copyright office
Ch. de Blandonnet 8 • CP 401
CH-1214 Vernier, Geneva, Switzerland
Tel. +41 22 749 01 11
Fax +41 22 749 09 47
copyright@iso.org
www.iso.org

Contents

	Page
Foreword	iv
Introduction	v
1 Scope	1
2 Normative references	1
3 Terms and definitions	1
4 Principle	2
5 Apparatus	2
5.1 Gloss meter	2
5.2 Gloss standards	2
6 Sampling	4
7 Preparation of test pieces	4
8 Calibration of the instrument	4
9 Procedure	4
10 Calculation and expression of results	5
11 Test report	5
Annex A (normative) Specification of the optical system of the gloss meter	6
Annex B (informative) Precision	9
Bibliography	10

Foreword

ISO (the International Organization for Standardization) is a worldwide federation of national standards bodies (ISO member bodies). The work of preparing International Standards is normally carried out through ISO technical committees. Each member body interested in a subject for which a technical committee has been established has the right to be represented on that committee. International organizations, governmental and non-governmental, in liaison with ISO, also take part in the work. ISO collaborates closely with the International Electrotechnical Commission (IEC) on all matters of electrotechnical standardization.

The procedures used to develop this document and those intended for its further maintenance are described in the ISO/IEC Directives, Part 1. In particular the different approval criteria needed for the different types of ISO documents should be noted. This document was drafted in accordance with the editorial rules of the ISO/IEC Directives, Part 2 (see www.iso.org/directives).

Attention is drawn to the possibility that some of the elements of this document may be the subject of patent rights. ISO shall not be held responsible for identifying any or all such patent rights. Details of any patent rights identified during the development of the document will be in the Introduction and/or on the ISO list of patent declarations received (see www.iso.org/patents).

Any trade name used in this document is information given for the convenience of users and does not constitute an endorsement.

For an explanation on the meaning of ISO specific terms and expressions related to conformity assessment, as well as information about ISO's adherence to the WTO principles in the Technical Barriers to Trade (TBT) see the following URL: [Foreword - Supplementary information](#)

The committee responsible for this document is ISO/TC 6, *Paper, board and pulps*.

This second edition cancels and replaces the first edition (ISO 8254-3:2004), which has been editorially revised to provide a precision statement, to update the bibliographic references and to provide additional clarification on Scope and application of the method described in this International Standard.

ISO 8254 consists of the following parts, under the general title *Paper and board — Measurement of specular gloss*:

- *Part 1: 75° gloss with a converging beam, TAPPI method*
- *Part 2: 75° gloss with a parallel beam, DIN method*
- *Part 3: 20° gloss with a converging beam, TAPPI method*

Introduction

This part of ISO 8254 deals with the assessment of the specular gloss of paper and board at an angle of 20°, using a converging beam geometry commonly known as the TAPPI method and described in TAPPI T653^[2]. ISO 8254-1 and ISO 8254-2 deal with the measurement of specular gloss at 75°.

Although the word “measurement” is used, it is to be noted that this is strictly speaking only an “assessment” because the definition of gloss (see 3.1) relates to a scale of visual perception, whereas the method described uses a physical measurement of mixed regular and diffuse reflection. The exact correlation between the visual perception and the scale established by the physical measurement is not known. However, this physical gloss scale has proved to be useful for a number of technical applications and, consequently, its standardization is justified.

Paper and board — Measurement of specular gloss —

Part 3: 20° gloss with a converging beam, TAPPI method

1 Scope

This part of ISO 8254 specifies a method for measuring the specular gloss of paper and board at an angle of 20° to the normal to the paper surface. It is applicable chiefly to highly glossy surfaces, such as cast-coated, lacquered, highly varnished or waxed papers and high-gloss ink films.

NOTE This part of ISO 8254 has been developed from TAPPI T653[2], ISO 2813[1] and from ISO 8254-1.

2 Normative references

The following documents, in whole or in part, are normatively referenced in this document and are indispensable for its application. For dated references, only the edition cited applies. For undated references, the latest edition of the referenced document (including any amendments) applies.

ISO 186, *Paper and board — Sampling to determine average quality*

ISO 187, *Paper, board and pulps — Standard atmosphere for conditioning and testing and procedure for monitoring the atmosphere and conditioning of samples*

3 Terms and definitions

For the purposes of this document, the following terms and definitions apply.

3.1

gloss (of a surface)

mode of appearance by which reflected highlights of objects are perceived as superimposed on the surface due to the directionally selective properties of that surface

[SOURCE: CIE S 017/E:2011, 17-500[3]]

3.2

regular reflection

specular reflection

reflection in accordance with the laws of geometrical optics, without diffusion

[SOURCE: CIE S 017/E:2001, 17-1077[3]]

3.3

diffuse reflection

diffusion by reflection in which, on the macroscopic scale, there is no regular reflection

[SOURCE: CIE S 017/E:2011, 17-305[3]]

3.4

specular gloss

measured variable equal to 100 times the ratio of the luminous flux reflected by the test-piece surface into a specified aperture at the specified angle of specular reflection to that reflected by a gloss standard specularly reflecting surface under the same conditions

4 Principle

Light incident on the test-piece surface at an angle of 20° to the normal and reflected from the surface at an angle of 20° to the normal into a defined aperture is detected by a photodetector, the output of which is displayed on a meter. The gloss scale is established by reference to the reflection from a standard black glass of known refractive index. [Annex B](#) provides precision data.

5 Apparatus

5.1 Gloss meter

It has the general arrangement and relative dimensions of the principal parts described in [Annex A](#). It consists of:

- a) a source of light;
- b) a lens giving a converging beam of light incident on the test piece;
- c) a suitable device, such as a suction plate to hold the test piece flat, if required;
- d) a photodetector to receive and measure certain of the rays reflected by the test piece.

These components are combined in a light-tight housing that is matte black inside and is structurally and optically stable at the operating temperature.

5.2 Gloss standards

5.2.1 Primary gloss standard, a flat, clean and polished surface, having a refractive index of 1,540 at 587,6 nm (the helium D-line). This may be shown by the Fresnel formulae to measure 100 gloss units on a scale related to the theoretical primary gloss standard. The theoretical primary specular gloss standard is an ideal, completely reflecting plane mirror having an assigned gloss value of 2 199.[4]

5.2.2 High gloss reference standard, a clean plaque of polished black glass for which the 20° specular reflectance has been computed from its refractive index measured at a wavelength of 587,6 nm.

If the refractive index differs from 1,540, the gloss value shall be calculated as follows:

$$G = 100 \times K \tag{1}$$

where

$$K(n, \varepsilon) = \frac{\left[\frac{n^2 \cos \varepsilon - (n^2 - \sin^2 \varepsilon)^{0,5}}{n^2 \cos \varepsilon + (n^2 - \sin^2 \varepsilon)^{0,5}} \right]^2 + \left[\frac{(n^2 - \sin^2 \varepsilon)^{0,5} - \cos \varepsilon}{(n^2 - \sin^2 \varepsilon)^{0,5} + \cos \varepsilon} \right]^2}{\left[\frac{1,540^2 \cos \varepsilon - (1,540^2 - \sin^2 \varepsilon)^{0,5}}{1,540^2 \cos \varepsilon + (1,540^2 - \sin^2 \varepsilon)^{0,5}} \right]^2 + \left[\frac{(1,540^2 - \sin^2 \varepsilon)^{0,5} - \cos \varepsilon}{(1,540^2 - \sin^2 \varepsilon)^{0,5} + \cos \varepsilon} \right]^2} \tag{2}$$

where

- n is the refractive index of the glass;
- ε is the angle of incidence.

When $\varepsilon = 20^\circ$, the formula reduces to

$$K(n, 20^\circ) = 10,994 \left(\left[\frac{0,9397n^2 - (n^2 - 0,117)^{0,5}}{0,9397n^2 + (n^2 - 0,117)^{0,5}} \right]^2 + \left[\frac{(n^2 - 0,117)^{0,5} - 0,9397}{(n^2 - 0,117)^{0,5} + 0,9397} \right]^2 \right) \quad (3)$$

NOTE 1 If the refractive index is known, the gloss value can be calculated by adding or subtracting from 100,0 a value of 0,29 for each 0,001 departure of the refractive index from the standard value of 1,540. For example, for a glass of refractive index $n = 1,523$, the assigned gloss value G would be

$$\begin{aligned} G &= 100 - \frac{0,29(1,540 - n)}{0,001} \\ &= 290n - 346,60 \\ &= 95,1 \end{aligned} \quad (4)$$

This method is, however, valid only for refractive index values between 1,50 and 1,54. It is not applicable to quartz standards for which n is about 1,46.

NOTE 2 Commercial gloss meters with 20° gloss scales based on International Standards with refractive index of 1,567 for general materials (paint, plastics, ceramics) will report different gloss readings for paper samples which are based on a refractive index of 1,540 and are not compatible with this part of ISO 8254.

5.2.3 Intermediate gloss standards, having a reflected flux distribution comparable with that of the paper to be tested. Such standards can consist of ceramic tiles which are sufficiently flat to remain stationary without rocking when placed in the measurement position and are uniform in gloss over a central region larger in area than the illuminated area defined by Formulae (A.3) and (A.4). Each of these tiles shall be calibrated against the high gloss reference standard by a technically competent laboratory in an instrument conforming to [5.1](#).

5.2.4 Working standards, having reflected flux distributions corresponding to different gloss levels, calibrated in the instrument concerned against a range of intermediate gloss standards.

Store standards in a closed container when not in use. Keep them away from any dirt which may scratch or mar their surfaces. Never place standards face down on a surface which may be dirty or abrasive. Always hold standards by their side edges to avoid transferring oil from the skin to the standard surface. Clean standards in warm water and mild detergent solution, brushing gently with a soft nylon brush. (Do not use soap solutions to clean standards.) Rinse in hot running water (temperature near 65°C) to remove detergent solution, followed by a final rinse in distilled water. Do not wipe intermediate gloss standards ([5.2.3](#)). The high gloss reference standard ([5.2.2](#)) may be dabbed gently with a lint-free paper towel or other lint-free absorbent material. Place rinsed standards in a warm oven to dry.

The refractive index of the surface, and consequently the gloss value of the high gloss reference standard ([5.2.2](#)), might change slowly over a period of a few years. This could be accompanied by a loss of uniformity. It is recommended that this standard be sent to a technically competent laboratory at least once every two years for a check on its calibration and for possible repolishing to restore its uniformity.[\[5\]](#)

5.3 Zero-gloss standard, consisting of a black velvet-lined cavity or any other suitable type of black cavity.

NOTE A variety of suitable cavities are available, including those coated with a matte black paint or having an interior black pyramidal construction.

6 Sampling

Sampling is not included in this part of ISO 8254. If the mean quality of a lot is to be determined, sampling shall be carried out in accordance with ISO 186. If the tests are made on another type of sample, make sure that the test pieces are representative of the sample received.

7 Preparation of test pieces

Avoiding watermarks, dirt and obvious defects, cut at least five test pieces (10 pieces if both sides are to be measured) each of sufficient size to completely cover the test-piece opening of the instrument. Keep the test piece clean and do not handle the area to be tested. Condition the test pieces in an atmosphere at 23 °C and 50 % relative humidity according to ISO 187.

Exposure of paper to high humidity could irreversibly decrease the gloss. If papers are tested at a relative humidity higher than 65 %, or if there is reason to believe that the sample might have been exposed to a relative humidity higher than 65 %, this should be stated in the test report.

8 Calibration of the instrument

8.1 Cover the test-piece opening with an opaque material and, with the gloss-meter source turned off, check and adjust the zero of the meter. Turn on the source and, after a suitable warm-up period, insert the high gloss reference standard (5.2.2) and adjust the scale controls to give an instrument reading equal to the value of the gloss standard.

8.2 Recheck the zero of the instrument with the test-piece opening either uncovered and exposed to a dark room or covered with a zero-gloss standard (5.3) to prevent external light from entering the receptor window. With the source turned on, the zero reading should agree with the source-off zero setting.

NOTE Disagreement in the zero readings suggests that unwanted light rays are entering the receptor window.

8.3 Reinsert the high gloss reference standard (5.2.2) and adjust the instrument as before to give the correct gloss value for the standard. Insert an intermediate gloss standard (5.2.3) or a working standard (5.2.4) and see that the instrument reads it correctly. If the reading differs by more than one gloss unit from the assigned value, the instrument should be checked for conformance to the geometrical, spectral and photometric requirements, and the International Standards should be checked with respect to their calibration.

NOTE Correct readings on the high gloss reference standard and intermediate gloss standard suggest that the instrument is in approximate, but not necessarily exact, conformance with the apparatus specifications.

9 Procedure

9.1 Insert a working standard at frequent intervals to ensure that the instrument remains in calibration throughout the period in which the gloss measurements are being made, and again at the end of the test.

9.2 Insert a test piece, make sure that it is flat and read the gloss value from the meter. Record the gloss value readings for all four directions, in the machine direction and counter-machine direction and in both cross directions. Repeat the measurements for a total of at least five test pieces.

9.3 If required, make similar measurements on the other side of the paper using new test pieces.

10 Calculation and expression of results

Calculate the mean and standard deviation for each side separately, and express the results to one decimal place. If required, calculate the means and standard deviations for the different directions separately.

11 Test report

The test report shall contain the following information:

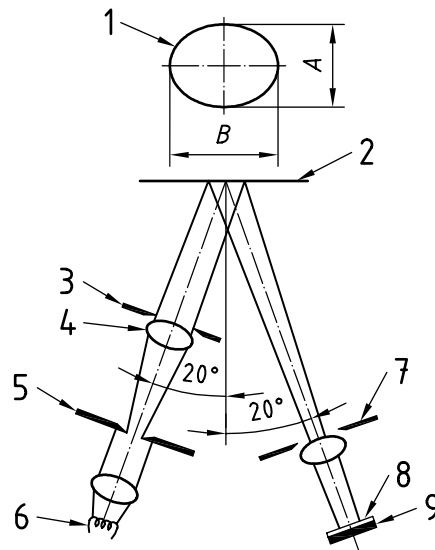
- a) the date and place of testing;
- b) reference to this part of ISO 8254, i.e. ISO 8254-3;
- c) precise identification of the sample, including the sampling procedure;
- d) the number of independent gloss readings, the average gloss value and the standard deviation for each side and for each sheet direction, as required;
- e) any particular points observed in the course of the test;
- f) any departure from this part of ISO 8254 or any circumstances that may have affected the results.

Annex A (normative)

Specification of the optical system of the gloss meter

A.1 General

The gloss meter shall consist of a light source, a lens that directs a converging beam of light onto the test-piece surface, a source-field stop to define the required cone of light, and a receptor housing containing a lens and a photodetector to evaluate the intensity of the light flux within this cone. A general sketch of the optical system is shown in [Figure A.1](#).



Key

- 1 elliptical illuminated area of test piece
- 2 test piece plane
- 3 aperture stop
- 4 source objective lens
- 5 source field stop
- 6 lamp
- 7 round receptor window
- 8 filter
- 9 photodetector

Figure A.1 — 20° gloss meter optical system

A.2 Geometric conditions

The axis of the incident beam shall be at an angle of $(20,0 \pm 0,1)^\circ$ to the perpendicular to the surface under test. The axis of the receptor shall coincide with the mirror image of the axis of the incident beam with a tolerance of $\pm 0,1^\circ$. When a flat piece of polished glass or other front-surface mirror is placed in the test-piece position, an image of the source-field stop shall be formed at the centre of the receptor window.

The receptor window shall be round in shape and of such a diameter that the receptor aperture angle is a solid angle of $(5,00 \pm 0,40)^\circ$ with respect to the centre of the illuminated area in the plane of the test piece (see [Figure A.2](#)). The diameter, W , of the receptor window is thus given by:

$$W = 2D \tan (2,5 \pm 0,20)^\circ \quad (\text{A.1})$$

where, D , is the distance from the plane of the sample to the plane of the receptor window.

The combination of source field stop and source objective lens shall ensure that the aperture stop is overfilled with light and shall yield an image of the source-field stop at the centre of the receptor window, such that the source-image aperture angle is a solid angle of $(4,0 \pm 0,4)^\circ$ with respect to the centre of the illuminated area in the plane of the test piece (see [Figure A.2](#)). The diameter, I , of the image is thus given by:

$$I = 2D \tan (2,0 \pm 0,20)^\circ \quad (\text{A.2})$$

The illuminated area of the test piece will be an ellipse with an unsharp contour with a short axis A (see [Figure A.1](#)) given by:

$$A = 4D \tan (2,0 \pm 0,20)^\circ \quad (\text{A.3})$$

and a long axis B given by

$$B = \frac{4D \tan (2,0 \pm 0,20)^\circ}{\cos 20^\circ} \quad (\text{A.4})$$

NOTE 1 For a full description of the derivation of these formulae, detailed reverse ray diagrams of the optical system originating at the centre of the test piece are required. The calculations are, however, a question of simple optics based upon the angles and distances specified and the reverse ray diagrams are therefore not included here.

As an example, if $D = 126$ mm, then $A = 17,6$ mm and $B = 18,7$ mm, and the illuminated area of the test piece is $(\pi AB)/4 = 258,5$ mm². A should be larger than any structures in the surface, i.e. ≥ 10 mm, and this means that the length D should be ≥ 72 mm. If D is shorter than this distance, the number of test pieces should be increased accordingly in order to ensure that an adequate area of the sample is tested.

The diameter S of the aperture stop is given by:

$$S = 2(2D + F) \tan (2,0 \pm 0,2)^\circ \quad (\text{A.5})$$

where, F , is the distance of the aperture stop from the plane of the test piece.

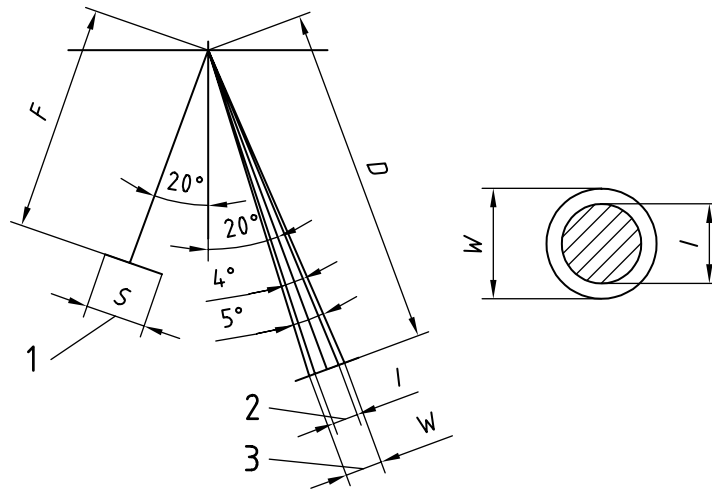
Although F appears to be arbitrary, tests have shown that optimal results are obtained if $F = (0,7 \pm 0,1)D$, and it is recommended that this relationship be followed.

The diameter of the source field stop and its distance from the aperture stop are dependent upon the choice of source objective lens. The angular diameter G of the source-field stop is related to the size of its image I on the receptor window and is calculated (see [Figure A.2](#)) as

$$G = (4,0 \pm 0,4)^\circ \cdot \frac{D}{(F + D)} \quad (\text{A.6})$$

NOTE 2 If $F = 0,7D$, $G = 2,35^\circ$

There shall be no vignetting of rays that lie within the field angles specified.

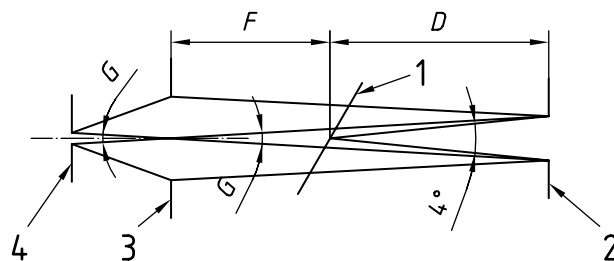


Key

- 1 aperture stop
- 2 image diameter
- 3 window diameter

NOTE This figure is not intended to represent the actual paths of light rays. It is presented as a reference for the geometric specifications only.

Figure A.2 — Geometric diagram



Key

- 1 specimen
- 2 image
- 3 aperture stop
- 4 source field stop

Figure A.3 — Geometrical system defining the angle of the source-field stop

A.3 Spectral conditions

The incandescent light source shall operate at a colour temperature of $(2\ 850 \pm 100)$ K. The combination of light source, photoelectric detector, and associated filters shall give a spectral sensitivity approximating the CIE photopic luminous efficiency function weighted for CIE standard Illuminant A.

A.4 Photometric conditions

The device converting and displaying the receptor output shall give an indication proportional to the light flux passing the receptor field stop with an error not exceeding $\pm 0,2\%$ of the full-scale reading.

Annex B (informative)

Precision

B.1 General

In March 2015, an international round-robin was performed on three photo-papers (coated on one side) of different levels of gloss by seven different laboratories according to this part of ISO 8254. These samples are identified in [Table B.1](#) and [Table B.2](#) as level 1 (low gloss), level 2 (medium gloss) and level 3 (high gloss).

The calculations have been made according to ISO/TR 24498.

The repeatability and reproducibility limits reported are estimates of the maximum difference which should be expected in 19 of 20 instances, when comparing two test results for material similar to those described under similar test conditions. These estimates may not be valid for different materials or different test conditions.

NOTE Repeatability and reproducibility limits are calculated by multiplying the repeatability and reproducibility standard deviations by 2,77, where $2,77 = 1,96 \sqrt{2}$.

B.2 Repeatability

Table B.1 — Estimation of repeatability

Sample	Number of laboratories	Mean gloss, GU	Repeatability standard deviation s_r GU	Coefficient of variation CoV, r %	Repeatability limit r GU
level 1	7	19,0	0,85	4,5	2,4
level 2	7	32,9	2,35	7,1	6,5
level 3	7	79,0	1,10	1,4	3,0

B.3 Reproducibility

Table B.2 — Estimation of reproducibility

Sample	Number of laboratories	Mean gloss, GU	Reproducibility standard deviation s_R GU	Coefficient of variation CoV, R %	Reproducibility limit R GU
level 1	7	19,0	1,05	5,5	2,9
level 2	7	32,9	2,84	8,6	7,9
level 3	7	79,0	2,60	3,3	7,2

Bibliography

- [1] ISO 2813, *Paints and varnishes — Determination of gloss value at 20°, 60° and 85°*
- [2] TAPPI T653, *Specular gloss of paper and paperboard at 20°*
- [3] CIE S017/E:2011 *ILV: International Lighting Vocabulary*, CIE Central Bureau, Kegelgasse 27, A-1030 Vienna, Austria
- [4] BUDDE W., The calibration of gloss reference standards. *Metrologia*. 1980, **16** pp. 89–93
- [5] BUDDE W., & DODD C.X., Stability problems in gloss measurements. *J. Coatings Technology*. 1980, **52** (665) pp. 44–48
- [6] ISO/TR 24498, *Paper, board and pulps — Estimation of uncertainty for test methods*

