
**Pneumatic fluid power — Cylinders,
1 000 kPa (10 bar) series — Mounting
dimensions of rod-end spherical eyes**

*Transmissions pneumatiques — Vérins, série à 1 000 kPa (10 bar) —
Dimensions d'interchangeabilité des tenons à rotule d'extrémité de tige*



Reference number
ISO 8139:2009(E)

© ISO 2009

PDF disclaimer

This PDF file may contain embedded typefaces. In accordance with Adobe's licensing policy, this file may be printed or viewed but shall not be edited unless the typefaces which are embedded are licensed to and installed on the computer performing the editing. In downloading this file, parties accept therein the responsibility of not infringing Adobe's licensing policy. The ISO Central Secretariat accepts no liability in this area.

Adobe is a trademark of Adobe Systems Incorporated.

Details of the software products used to create this PDF file can be found in the General Info relative to the file; the PDF-creation parameters were optimized for printing. Every care has been taken to ensure that the file is suitable for use by ISO member bodies. In the unlikely event that a problem relating to it is found, please inform the Central Secretariat at the address given below.



COPYRIGHT PROTECTED DOCUMENT

© ISO 2009

All rights reserved. Unless otherwise specified, no part of this publication may be reproduced or utilized in any form or by any means, electronic or mechanical, including photocopying and microfilm, without permission in writing from either ISO at the address below or ISO's member body in the country of the requester.

ISO copyright office
Case postale 56 • CH-1211 Geneva 20
Tel. + 41 22 749 01 11
Fax + 41 22 749 09 47
E-mail copyright@iso.org
Web www.iso.org

Published in Switzerland

Foreword

ISO (the International Organization for Standardization) is a worldwide federation of national standards bodies (ISO member bodies). The work of preparing International Standards is normally carried out through ISO technical committees. Each member body interested in a subject for which a technical committee has been established has the right to be represented on that committee. International organizations, governmental and non-governmental, in liaison with ISO, also take part in the work. ISO collaborates closely with the International Electrotechnical Commission (IEC) on all matters of electrotechnical standardization.

International Standards are drafted in accordance with the rules given in the ISO/IEC Directives, Part 2.

The main task of technical committees is to prepare International Standards. Draft International Standards adopted by the technical committees are circulated to the member bodies for voting. Publication as an International Standard requires approval by at least 75 % of the member bodies casting a vote.

Attention is drawn to the possibility that some of the elements of this document may be the subject of patent rights. ISO shall not be held responsible for identifying any or all such patent rights.

ISO 8139 was prepared by Technical Committee ISO/TC 131, *Fluid power systems*, Subcommittee SC 3, *Cylinders*.

This third edition cancels and replaces the second edition (ISO 8139:1991), which has been technically revised.

Introduction

In pneumatic fluid power systems, power is transmitted and controlled through a gas under pressure within a circuit.

One component of such systems is the pneumatic fluid power cylinder. This is a device that converts power into linear mechanical force and motion. It consists of a movable element, i.e. a piston and piston rod, operating within a cylindrical bore.

Pneumatic fluid power — Cylinders, 1 000 kPa (10 bar) series — Mounting dimensions of rod-end spherical eyes

1 Scope

This International Standard specifies the mounting dimensions required for interchangeability of rod-end spherical eyes of pneumatic cylinders. The rod-end spherical eyes have been designed specifically for use with 1 000 kPa [10 bar¹⁾] series cylinders manufactured in accordance with ISO 6430, ISO 6432 and ISO 15552, but this does not limit their application.

The spherical bearing end eyes are used on piston rods of pneumatic cylinders for mechanically transmitting the cylinder force under oscillatory rotational and tilting movements. The design of the rod-end spherical eyes is based on the maximum forces resulting from the specified internal diameter of the cylinders and pressure according to ISO 6430, ISO 6432 and ISO 15552.

2 Normative references

The following referenced documents are indispensable for the application of this document. For dated references, only the edition cited applies. For undated references, the latest edition of the referenced document (including any amendments) applies.

ISO 5598, *Fluid power systems and components — Vocabulary*

ISO 6099, *Fluid power systems and components — Cylinders — Identification code for mounting dimensions and mounting types*

ISO 6430, *Pneumatic fluid power — Single rod cylinders, 1 000 kPa (10 bar) series, with integral mountings, bores from 32 mm to 250 mm — Mounting dimensions*

ISO 6432, *Pneumatic fluid power — Single rod cylinders — 10 bar (1 000 kPa) series — Bores from 8 to 25 mm — Mounting dimensions*

ISO 15552, *Pneumatic fluid power — Cylinders with detachable mountings, 1 000 kPa (10 bar) series, bores from 32 mm to 320 mm — Basic, mounting and accessories dimensions*

3 Terms and definitions

For the purposes of this document, the terms and definitions given in ISO 5598 apply.

The identification code for mounting dimensions and mounting types is in accordance with ISO 6099.

1) 1 bar = 100 kPa = 10⁵ Pa; 1 Pa = 1 N/m².

4 Mounting dimensions

See Figure 1 and Table 1.

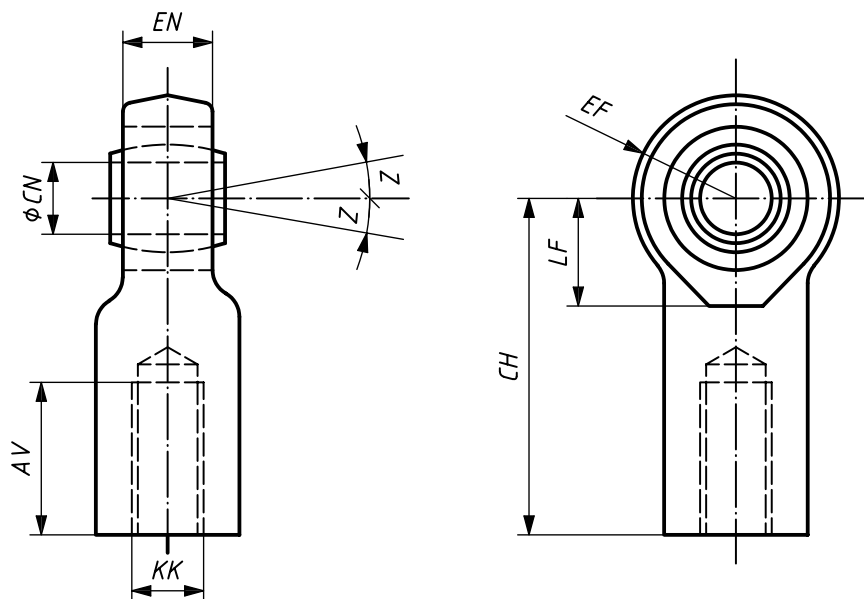


Figure 1 — AP6 — Rod-end spherical eyes

Table 1 — Dimensions of AP6 — Rod-end spherical eyes

Dimensions in millimetres

<i>KK</i>	<i>CN</i> H9	<i>EN</i> h12	<i>CH</i>	<i>LF</i> min.	<i>EF</i> max.	<i>AV</i> min.	Tilting angle
							<i>Z</i> min. degree
M4 × 0,7	5	8	27	10	9	10	4
M6 × 1	6	9	30	11	10	12	
M8 × 1,25	8	12	36	13	12	16	
M10 × 1,25	10	14	43	15	14	20	
M12 × 1,25	12	16	50	17	16	22	
M16 × 1,5	16	21	64	22	21	28	
M20 × 1,5	20	25	77	26	25	33	
M27 × 2	30	37	110	36	35	51	
M36 × 2	35	43	125	41	40	56	
M42 × 2	40	49	142	46	45	60	
M48 × 2	50	60	160	59	58	65	

5 Application instructions

5.1 Installation

5.1.1 Usually a tolerance of m6 (see ISO 286-2) is used for the shaft fitting the spherical plain bearing bore.

However, in exceptional cases (for example cylinder installation difficulties), a tolerance of f7 can be admitted. In this instance, a case-hardened shaft is recommended as movement occurs between the shaft and the bearing bore. Lubrication shall then be effected through the shaft.

5.1.2 The specified tilting angle of $\pm 4^\circ$ can still be obtained when the clevis inner faces abut the side faces of the inner ring of the spherical plain bearing.

5.1.3 The rod-end spherical eyes shall be locked with a locking nut.

5.2 Bearing life

5.2.1 The life of the spherical plain bearing is influenced by many factors such as specified load, direction of load, angle of oscillation, type of lubricant and frequency of lubrication.

5.2.2 The spherical plain bearings are designed to give an acceptable bearing life under normal operating conditions.

5.2.3 Where a constant unidirectional load is applied or other unusual operating conditions exist, consultation with the supplier is recommended.

5.3 Lubrication

5.3.1 Sufficient lubrication shall be provided for the satisfactory performance of the rod-end spherical eyes.

5.3.2 The method and frequency of such lubrication depend on the particular operating conditions.

6 Example of ordering designation

A rod-end spherical eye with a bore of $CN = 20$ mm and steel-on-steel surface shall be designated as follows:

Rod eye spherical ISO 8139 – 20

7 Identification statement (reference to this International Standard)

It is strongly recommended to manufacturers who have chosen to conform to this International Standard that the following statement be used in test reports, catalogues and sales literature:

“Pneumatic cylinder rod-end spherical eye mounting dimensions in accordance with ISO 8139:2009, *Pneumatic fluid power — Cylinders, 1 000 kPa (10 bar) series — Mounting dimensions of rod-end spherical eyes.*”

Bibliography

- [1] ISO 286-2, *ISO system of limits and fits — Part 2: Tables of standard tolerance grades and limit deviations for holes and shafts*

.....

Copyright International Organization for Standardization

www.iso.org

ICS 23.100.20

Price based on 4 pages