

INTERNATIONAL
STANDARD

ISO
8116-8

First edition
1995-09-15

**Textile machinery and accessories —
Beams for winding —**

Part 8:

Definitions of run-out tolerances and methods
of measurement

Matériel pour l'industrie textile — Ensembles pour enroulement —

*Partie 8: Définition des tolérances de battement et méthodes de
mesurage*



Reference number
ISO 8116-8:1995(E)

Foreword

ISO (the International Organization for Standardization) is a worldwide federation of national standards bodies (ISO member bodies). The work of preparing International Standards is normally carried out through ISO technical committees. Each member body interested in a subject for which a technical committee has been established has the right to be represented on that committee. International organizations, governmental and non-governmental, in liaison with ISO, also take part in the work. ISO collaborates closely with the International Electrotechnical Commission (IEC) on all matters of electrotechnical standardization.

Draft International Standards adopted by the technical committees are circulated to the member bodies for voting. Publication as an International Standard requires approval by at least 75 % of the member bodies casting a vote.

International Standard ISO 8116-8 was prepared by Technical Committee ISO/TC 72, *Textile machinery and allied machinery and accessories*, Subcommittee SC 2, *Winding and preparatory machinery for fabric manufacture*.

This first edition of ISO 8116-8 cancels and replaces ISO 2013:1983, which has been technically revised.

ISO 8116 consists of the following parts, under the general title *Textile machinery and accessories — Beams for winding*:

- Part 1: *General vocabulary*
- Part 2: *Warper's beams*
- Part 3: *Weaver's beams*
- Part 4: *Quality classification of flanges for weaver's beams, warper's beams and sectional beams*
- Part 5: *Sectional beams for warp knitting machines*
- Part 6: *Beams for ribbon weaving and ribbon knitting*
- Part 7: *Beams for dyeing slivers, rovings and yarns*

© ISO 1995

All rights reserved. Unless otherwise specified, no part of this publication may be reproduced or utilized in any form or by any means, electronic or mechanical, including photocopying and microfilm, without permission in writing from the publisher.

International Organization for Standardization
Case Postale 56 • CH-1211 Genève 20 • Switzerland

Printed in Switzerland

- *Part 8: Definitions of run-out tolerances and methods of measurement*
- *Part 9: Dyeing beams for textile fabrics*

Annex A of this part of ISO 8116 is for information only.

Textile machinery and accessories — Beams for winding —

Part 8:

Definitions of run-out tolerances and methods of measurement

1 Scope

This part of ISO 8116 defines variations of form and position, i.e. axial circular run-out tolerance of flanges and total barrel run-out tolerance of beams with and without shafts, and gives the methods of measuring such variations of form and position.

The maximum tolerances together with the recommended limit for residual unbalance are specified in the parts of ISO 8116 for each type of beam.

2 Definitions and methods of measurement

2.1 Axial circular run-out tolerance (T_a) of flanges (figure 1)

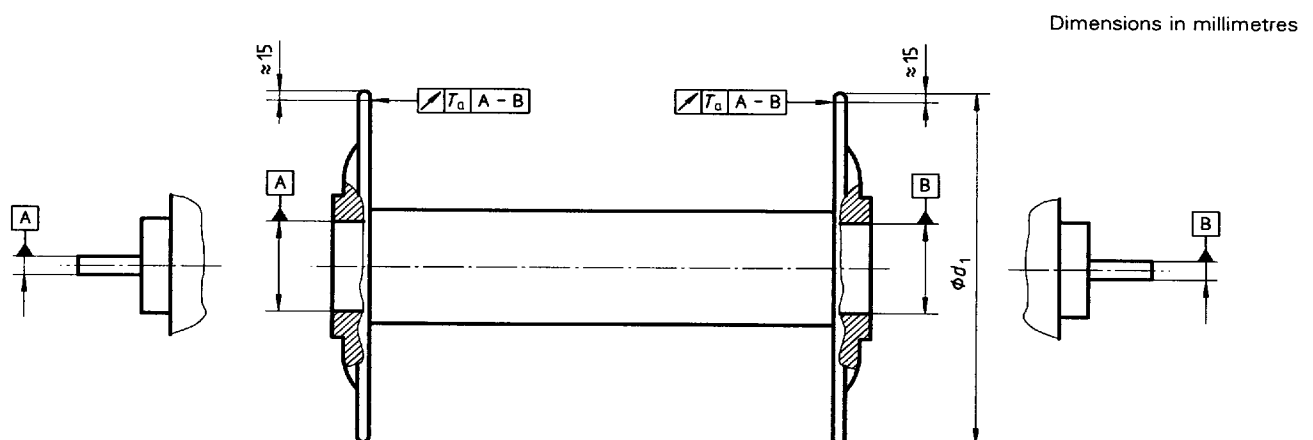


Figure 1

The axial circular run-out tolerance (T_a) is the difference between the greatest and the smallest deviation of the inner face of a flange, measured approximately 15 mm from the outer edge of the flange during one complete revolution of the beam about the axis A-B.

2.2 Total run-out tolerance (T_r) of the barrel (figure 2)

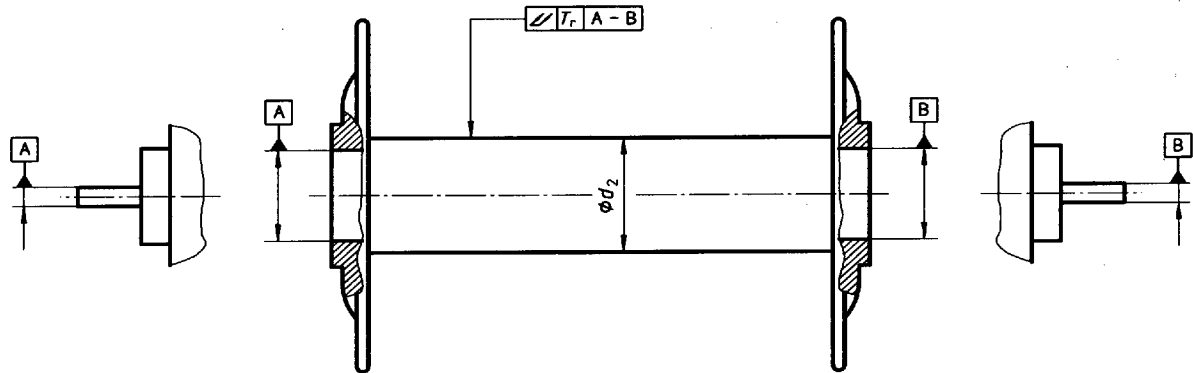


Figure 2

The total run-out tolerance of the barrel (T_r) is the sum of all run-outs of the barrel. It is mainly caused by

- the straightness of the barrel;
- the circularity of the barrel;
- the radial circular run-out of the beam barrel.

In the case of weaver's beams with screw threads on the barrel, the flanges shall be positioned at the outer edges of the barrel. The greatest of the observations (readings) shall be taken as the value of the total run-out of the barrel; it shall not exceed the permissible maximum value.

Annex A

(informative)

Bibliography

- [1] ISO 1101:1983, *Technical drawings — Geometrical tolerancing — Tolerancing of form, orientation, location and run-out — Generalities, definitions, symbols, indications on drawings.*

ICS 59.120.20

Descriptors: textile machinery, winding, yarns, beams (textile machinery), dimensions, dimensional measurements, run-out tolerances.

Price based on 3 pages
