

INTERNATIONAL
STANDARD

ISO
8116-7

First edition
1995-09-15

**Textile machinery and accessories —
Beams for winding —**

Part 7:

Beams for dyeing slivers, rovings and yarns

*Matériel pour l'industrie textile — Ensouples pour enroulement —
Partie 7: Ensouples de teinture pour fibres et filés*



Reference number
ISO 8116-7:1995(E)

Foreword

ISO (the International Organization for Standardization) is a worldwide federation of national standards bodies (ISO member bodies). The work of preparing International Standards is normally carried out through ISO technical committees. Each member body interested in a subject for which a technical committee has been established has the right to be represented on that committee. International organizations, governmental and non-governmental, in liaison with ISO, also take part in the work. ISO collaborates closely with the International Electrotechnical Commission (IEC) on all matters of electrotechnical standardization.

Draft International Standards adopted by the technical committees are circulated to the member bodies for voting. Publication as an International Standard requires approval by at least 75 % of the member bodies casting a vote.

International Standard ISO 8116-7 was prepared by Technical Committee ISO/TC 72, *Textile machinery and allied machinery and accessories*, Subcommittee SC 2, *Winding and preparatory machinery for fabric manufacture*.

This first edition of ISO 8116-7 cancels and replaces ISO 1037:1982, which has been technically revised.

ISO 8116 consists of the following parts, under the general title *Textile machinery and accessories — Beams for winding*.

- Part 1: *General vocabulary*
- Part 2: *Warper's beams*
- Part 3: *Weaver's beams*
- Part 4: *Quality classification of flanges for weaver's beams, warper's beams and sectional beams*
- Part 5: *Sectional beams for warp knitting machines*
- Part 6: *Beams for ribbon weaving and ribbon knitting*
- Part 7: *Beams for dyeing slivers, rovings and yarns*

© ISO 1995

All rights reserved. Unless otherwise specified, no part of this publication may be reproduced or utilized in any form or by any means, electronic or mechanical, including photocopying and microfilm, without permission in writing from the publisher.

International Organization for Standardization
Case Postale 56 • CH-1211 Genève 20 • Switzerland

Printed in Switzerland

- *Part 8: Definitions of run-out tolerances and methods of measurement*
- *Part 9: Dyeing beams for textile fabrics*

Textile machinery and accessories — Beams for winding —

Part 7:

Beams for dyeing slivers, rovings and yarns

1 Scope

This part of ISO 8116 defines the basic terms and designation, and lays down the main dimensions as the driving devices for perforated beams used for dyeing slivers, rovings or yarns.

2 Terminology and main dimensions

(See figures 1 and 2 and table 1)

- d_1 outside diameter of flange
- d_2 outside diameter of barrel
- d_3 diameter of axial orifice
- b distance between the flanges

Dimensions in millimetres

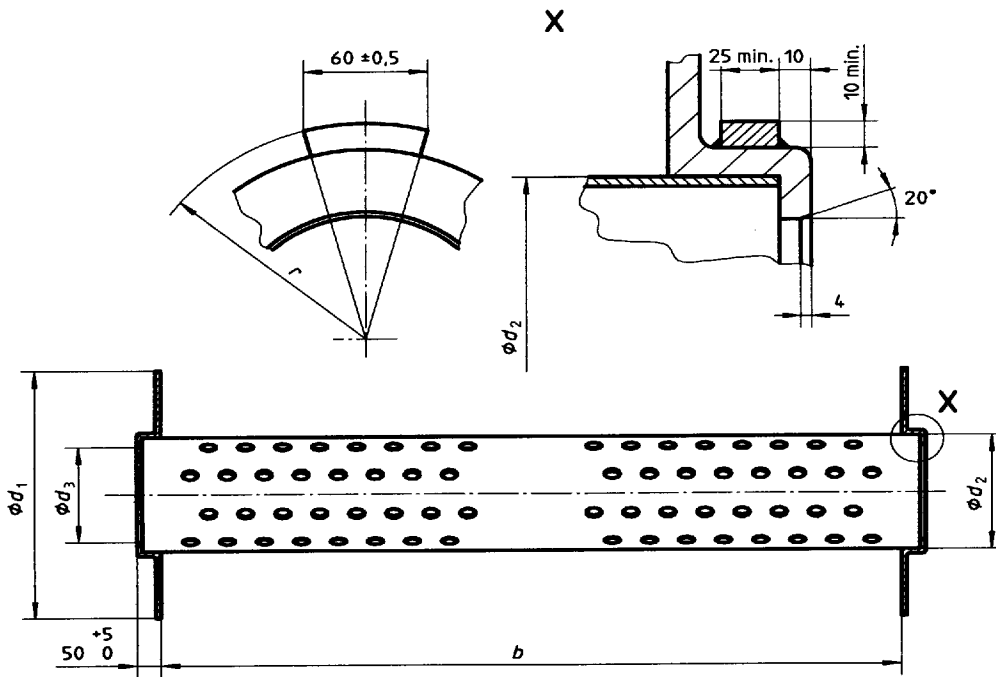


Figure 1 — Beam with simple flanges and driving device — Type A (One lug per flange)

Dimensions in millimetres

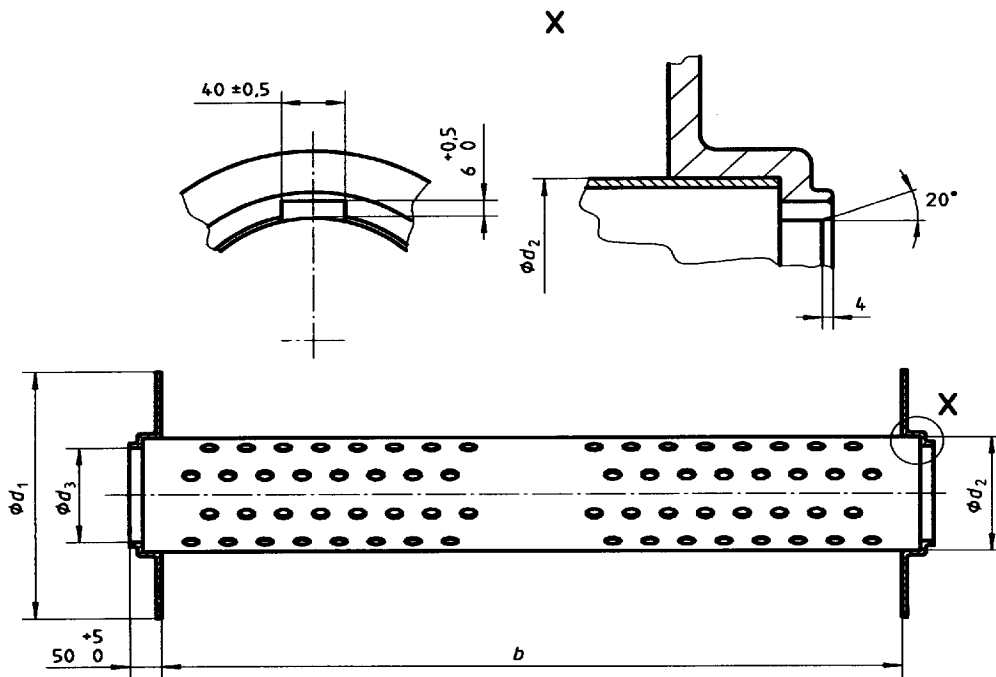


Figure 2 — Beam with flanges and counter shoulder, and driving device — Type B (One key per flange)

NOTE 1 For type A and type B, it is possible to have one lug or one key per flange (according to the values of d_2 and d_3).

Table 1 — Main dimensions

Dimensions in millimetres

Type	d_1		d_2		r	b ± 1	d_3 $\pm 0,3$	
	nominal	tolerance	nominal	tolerance				
A	300	$\pm 0,5$	150	$\pm 1,2$	96	1 400 1 600 1 800	145	
	(480)	$\pm 0,8$	230	$\pm 1,2$	137,5		225	
	520							
B	(520)	$\pm 0,8$	280	$\pm 1,2$	—			225
	600		360	± 2	—			
	600							
	750		500					

NOTE — The values in parentheses should be avoided whenever possible.

3 Designation

The designation of a dyeing beam in accordance with this part of ISO 8116 shall include the following information in the order given:

- "Dyeing beam";
- reference to this part of ISO 8116, i.e. ISO 8116-7;
- the type of beam (A or B);
- the flange diameter, d_1 , in millimetres;
- the barrel diameter, d_2 , in millimetres;
- the distance between the flanges, b , in millimetres.

EXAMPLE

A dyeing beam, type B, with flange diameter d_1 of 600 mm, diameter of barrel d_2 of 280 mm and distance between flanges b of 1 400 mm is designated as follows:

Dyeing beam ISO 8116-7 — B 600 × 280 × 1 400

ICS 59.120.20

Descriptors: textile machinery, winding, yarns, slivers, beams (textile machinery), basic concepts, dimensions, designation.

Price based on 3 pages
