

---

---

**Reciprocating internal combustion  
engines — Vocabulary of components  
and systems —**

**Part 3:  
Valves, camshaft drives and actuating  
mechanisms**

*Moteurs alternatifs à combustion interne — Vocabulaire  
des composants et des systèmes —*

*Partie 3: Soupapes, arbres à cames et mécanismes de commande*



**PDF disclaimer**

This PDF file may contain embedded typefaces. In accordance with Adobe's licensing policy, this file may be printed or viewed but shall not be edited unless the typefaces which are embedded are licensed to and installed on the computer performing the editing. In downloading this file, parties accept therein the responsibility of not infringing Adobe's licensing policy. The ISO Central Secretariat accepts no liability in this area.

Adobe is a trademark of Adobe Systems Incorporated.

Details of the software products used to create this PDF file can be found in the General Info relative to the file; the PDF-creation parameters were optimized for printing. Every care has been taken to ensure that the file is suitable for use by ISO member bodies. In the unlikely event that a problem relating to it is found, please inform the Central Secretariat at the address given below.



**COPYRIGHT PROTECTED DOCUMENT**

© ISO 2010

All rights reserved. Unless otherwise specified, no part of this publication may be reproduced or utilized in any form or by any means, electronic or mechanical, including photocopying and microfilm, without permission in writing from either ISO at the address below or ISO's member body in the country of the requester.

ISO copyright office  
Case postale 56 • CH-1211 Geneva 20  
Tel. + 41 22 749 01 11  
Fax + 41 22 749 09 47  
E-mail [copyright@iso.org](mailto:copyright@iso.org)  
Web [www.iso.org](http://www.iso.org)

Published in Switzerland

## Foreword

ISO (the International Organization for Standardization) is a worldwide federation of national standards bodies (ISO member bodies). The work of preparing International Standards is normally carried out through ISO technical committees. Each member body interested in a subject for which a technical committee has been established has the right to be represented on that committee. International organizations, governmental and non-governmental, in liaison with ISO, also take part in the work. ISO collaborates closely with the International Electrotechnical Commission (IEC) on all matters of electrotechnical standardization.

International Standards are drafted in accordance with the rules given in the ISO/IEC Directives, Part 2.

The main task of technical committees is to prepare International Standards. Draft International Standards adopted by the technical committees are circulated to the member bodies for voting. Publication as an International Standard requires approval by at least 75 % of the member bodies casting a vote.

Attention is drawn to the possibility that some of the elements of this document may be the subject of patent rights. ISO shall not be held responsible for identifying any or all such patent rights.

ISO 7967-3 was prepared by Technical Committee ISO/TC 70, *Internal combustion engines*.

This second edition cancels and replaces the first edition (ISO 7967-3:1987), which has been technically revised.

ISO 7967 consists of the following parts, under the general title *Reciprocating internal combustion engines — Vocabulary of components and systems*:

- *Part 1: Structure and external covers*
- *Part 2: Main running gear*
- *Part 3: Valves, camshaft drive and actuating mechanisms*
- *Part 4: Pressure charging and air/exhaust gas ducting systems*
- *Part 5: Cooling systems*
- *Part 6: Lubricating systems*
- *Part 7: Governing systems*
- *Part 8: Starting systems*
- *Part 9: Control and monitoring systems*

© 2014 Intel Corporation. All rights reserved.

# Reciprocating internal combustion engines — Vocabulary of components and systems —

## Part 3: Valves, camshaft drives and actuating mechanisms

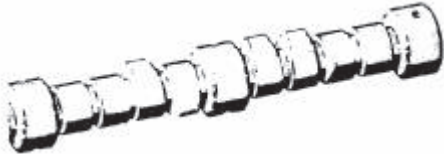
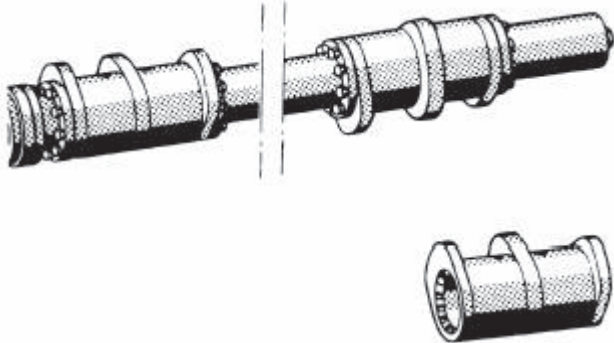
### 1 Scope

This part of ISO 7967 defines terms relating to the valves, camshaft drive and actuating mechanisms of reciprocating internal combustion engines.

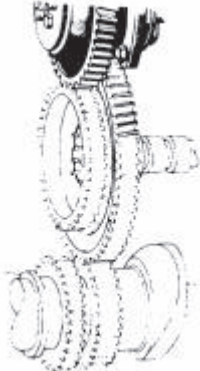
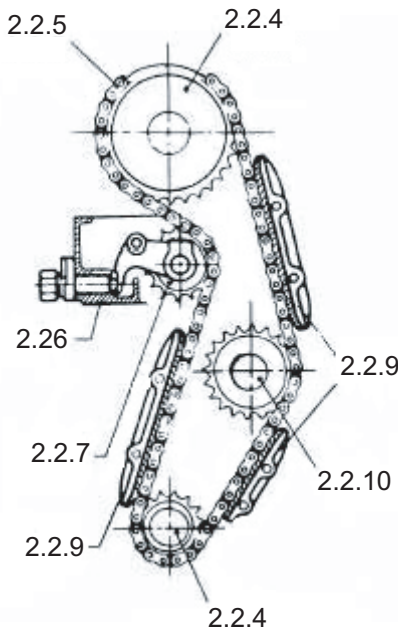
ISO 2710-1 gives a classification of reciprocating internal combustion engines and defines basic terms of such engines, their working and characteristics.

### 2 Definitions

#### 2.1 Camshaft

N°	Term	Definition	Illustration
2.1.1	<b>camshaft</b>	shaft incorporating cams which control the events of the working cycle (e.g. valve opening and closing timings, injection or ignition)	
2.1.2	<b>one-piece camshaft</b>	camshaft where cams and shaft are of one piece	
2.1.3	<b>assembled camshaft</b>	camshaft where cams and flanges are fitted onto the shaft	
2.1.4	<b>cam</b>	component by which valves or fuel injection pumps etc. are operated	

2.2 Camshaft drive

N°	Term	Definition	Illustration
2.2.1	<b>camshaft drive</b>	mechanism by which the camshaft is rotated	
2.2.2	<b>gear drive</b>	crankshaft-to-camshaft drive by means of a series of gears	
2.2.3	<b>chain drive</b>	crankshaft-to-camshaft drive by means of sprocket wheels and timing chain	
2.2.4	<b>sprocket wheel</b>	wheel that drives or is driven by the timing chain	
2.2.5	<b>timing chain</b>	component to transmit movement from the crankshaft to the camshaft	
2.2.6	<b>chain tension adjuster assembly</b>	mechanism to compensate for the increase in length resulting from chain wear, using a tensioning wheel or a slide rail  NOTE Actuation is by spring or hydraulic mechanism.	
2.2.7	<b>tensioning wheel</b>	wheel pressed against the chain to adjust its tension	
2.2.8	<b>slide rail</b>	rail pressed against the chain to adjust its tension	
2.2.9	<b>slide bars</b>	pair of components to absorb vibrations and to guide the chain	
2.2.10	<b>guide wheel</b>	wheel to guide the chain	
2.2.11	<b>synchronous belt drive</b>	crankshaft-to-camshaft drive by means of synchronous belt pulleys and belt	

N°	Term	Definition	Illustration
2.2.12	<b>synchronous belt pulley</b>	pulley that has teeth to mesh with the teeth of a synchronous belt	
2.2.13	<b>synchronous belt</b>	elastic endless toothed belt	
2.2.14	<b>belt tensioner</b>	mechanism to adjust tension in the belt	
2.2.15	<b>tensioning pulley</b>	pulley pressed against the belt to adjust its tension	

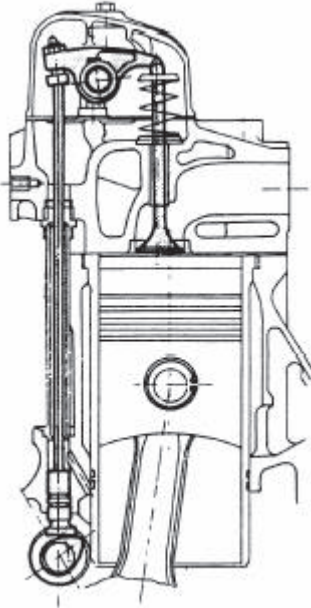


### 2.3 Valves


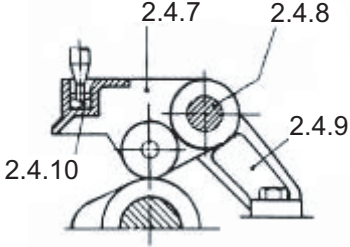
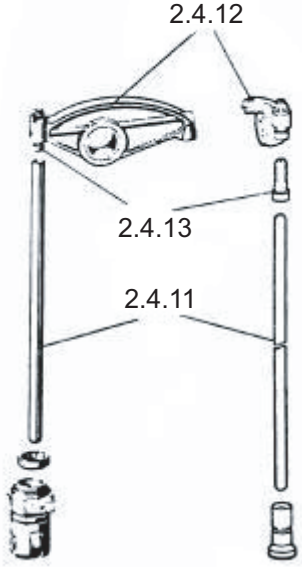
N°	Term	Definition	Illustration
2.3.1	<b>valve poppet valve</b>	component consisting of stem, head and face (seat) which allows combustion gases to enter or leave the cylinder	

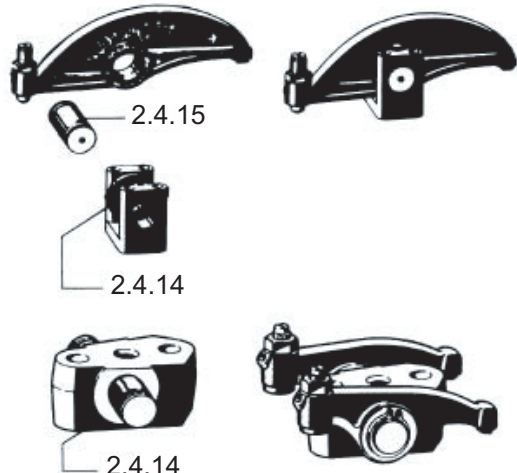
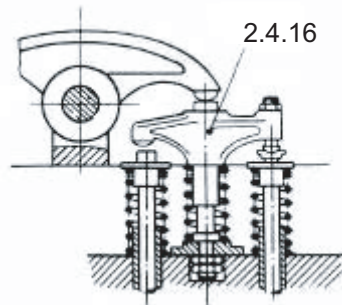
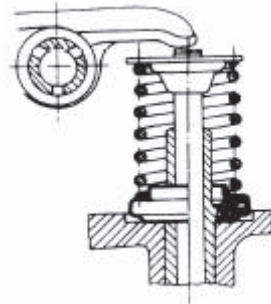
N°	Term	Definition	Illustration
2.3.2	<b>inlet valve</b>	valve by which a fresh charge is admitted into the engine combustion chamber	
2.3.3	<b>exhaust valve</b>	valve by which the exhaust gases are discharged from the engine combustion chamber	
2.3.4	<b>valve spring retainer</b>	component used to hold the valve spring and to transmit spring force to the valve stem	
2.3.5	<b>valve collet valve key valve lock</b>	pair of components that hold the valve spring retainer on the valve stem	
2.3.6	<b>valve spring washer</b>	washer that prevents damage to the cylinder head	
2.3.7	<b>valve spring</b>	spring that closes the valve	
2.3.8	<b>valve guide</b>	component that guides the valve	
2.3.9	<b>valve seat insert</b>	replaceable valve seat in the cylinder head	
2.3.10	<b>valve stem seal</b>	seal between valve stem and valve guide located at the upper and/or lower end of the valve guide to prevent oil entering into cylinder head	
2.3.11	<b>valve cage</b>	component separate from the cylinder head into which the valve is fitted  NOTE Cooled valve cages have the additional notation "cooled".	



## 2.4 Actuating mechanism

N°	Term	Definition	Illustration
2.4.1	<b>actuating mechanism</b>	components used to convert the rotary motion of the cam to the reciprocating motion of valves and fuel pumps	
2.4.2	<b>tappet</b>	device that bears on the cam and slides in a guide to transmit reciprocating motion	
2.4.3	<b>sliding tappet</b>	flat-faced tappet in sliding contact with the cam	
2.4.4	<b>roller tappet</b>	tappet that carries a roller that runs in contact with the cam	

N°	Term	Definition	Illustration
2.4.5	<b>tappet roller</b>	part of the roller tappet that is used to transfer cam stroke to the tappet	
2.4.6	<b>tappet guide</b>	component to guide the tappet	
2.4.7	<b>cam follower</b>	lever that bears on the cam and transmits reciprocating motion	
2.4.8	<b>cam follower shaft</b>	shaft about which the cam follower pivots	
2.4.9	<b>cam follower bracket</b>	bracket that carries the cam follower	
2.4.10	<b>thrust cup</b>	part of the cam follower or the rocker arm subjected to push-rod pressure	
2.4.11	<b>push-rod</b>	rod that transmits motion from the tappet or cam follower to the rocker arm	
2.4.12	<b>rocker arm rocker</b>	components used to reverse push-rod movement	
2.4.13	<b>valve adjuster</b>	screw to adjust valve clearance	

N°	Term	Definition	Illustration
2.4.14	<b>rocker arm bracket</b>  <b>rocker arm pedestal</b>	component that supports the rocker arm	
2.4.15	<b>rocker arm shaft</b>	component on which the rocker arm pivots	
2.4.16	<b>valve bridge bridge piece</b>	component operating two or more valves from a single force	
2.4.17	<b>valve rotator</b>	mechanism that rotates the valve	

**Alphabetic index**

<b>Term</b>	<b>Clause</b>
actuating mechanism	2.4.1
adjuster, valve	2.4.13
arm, rocker	2.4.12
assembled camshaft	2.1.3
assembly, chain tension adjuster	2.2.6
bar, slide	2.2.9
belt tensioner	2.2.14
belt, synchronous	2.2.13

<b>Term</b>	<b>Clause</b>
bracket, cam follower	2.4.9
bracket, rocker arm	2.4.14
bridge piece	2.4.16
bridge, valve	2.4.16
cage, valve	2.3.11
cam	2.1.4
cam follower	2.4.7
cam follower bracket	2.4.9
cam follower shaft	2.4.8
camshaft	2.1.1
camshaft drive	2.2.1
camshaft, assembled	2.1.3
camshaft, one-piece	2.1.2
chain drive	2.2.3
chain tension adjuster assembly	2.2.6
chain, timing	2.2.5
collet, valve	2.3.5
cup, thrust	2.4.10
drive, camshaft	2.2.1
drive, chain	2.2.3
drive, gear	2.2.2
drive, synchronous belt	2.2.11
exhaust valve	2.3.3
follower, cam	2.4.7
gear drive	2.2.2
guide wheel	2.2.10
guide, tappet	2.4.6
guide, valve	2.3.8
inlet valve	2.3.2
key, valve	2.3.5
lock, valve	2.3.5
mechanism, actuating	2.4.1
one-piece camshaft	2.1.2
pedestal, rocker arm	2.4.14
poppet valve	2.3.1
pulley, synchronous belt	2.2.12
pulley, tensioning	2.2.15
push-rod	2.4.11

<b>Term</b>	<b>Clause</b>
rail, slide	2.2.8
retainer, valve spring	2.3.4
rocker	2.4.12
rocker arm	2.4.12
rocker arm bracket	2.4.14
rocker arm pedestal	2.4.14
rocker arm shaft	2.4.15
roller tappet	2.4.4
rotator, valve	2.4.17
seal, valve stem	2.3.10
seat, valve	2.3.9
shaft, cam follower	2.4.8
shaft, rocker arm	2.4.15
slide bar	2.2.9
slide rail	2.2.8
sliding tappet	2.4.3
spring, valve	2.3.7
sprocket wheel	2.2.4
synchronous belt	2.2.13
synchronous belt drive	2.2.11
synchronous belt pulley	2.2.12
tappet	2.4.2
tappet guide	2.4.6
tappet roller	2.4.5
tappet, roller	2.4.4
tappet, sliding	2.4.3
tensioner, belt	2.2.14
tensioning pulley	2.2.15
tensioning wheel	2.2.7
thrust cup	2.4.10
timing chain	2.2.5
valve adjuster	2.4.13
valve bridge	2.4.16
valve cage	2.3.11
valve collet	2.3.5
valve guide	2.3.8
valve key	2.3.5
valve lock	2.3.5

<b>Term</b>	<b>Clause</b>
valve rotator	2.4.17
valve seat	2.3.9
valve spring	2.3.7
valve spring retainer	2.3.4
valve spring washer	2.3.6
valve stem seal	2.3.10
valve, exhaust	2.3.3
valve, inlet	2.3.2
valve, poppet	2.3.1
washer, valve spring	2.3.6
wheel, guide	2.2.10
wheel, sprocket	2.2.4
wheel, tensioning	2.2.7

## Bibliography

- [1] ISO 2710-1, *Reciprocating internal combustion engines — Vocabulary — Part 1: Terms for engine design and operation*

---

---

**ICS 01.040.27; 27.020**

Price based on 10 pages