
**Diesel engines — Base-mounted in-line
fuel injection pumps and high-pressure
supply pumps for common rail fuel
injection systems — Mounting
dimensions**

*Moteurs diesels — Pompes d'injection en ligne à fixation par base plane
et pompes d'alimentation à haute pression pour systèmes d'injection de
carburant à rampe commune — Dimensions de montage*



Reference number
ISO 7612:2009(E)

PDF disclaimer

This PDF file may contain embedded typefaces. In accordance with Adobe's licensing policy, this file may be printed or viewed but shall not be edited unless the typefaces which are embedded are licensed to and installed on the computer performing the editing. In downloading this file, parties accept therein the responsibility of not infringing Adobe's licensing policy. The ISO Central Secretariat accepts no liability in this area.

Adobe is a trademark of Adobe Systems Incorporated.

Details of the software products used to create this PDF file can be found in the General Info relative to the file; the PDF-creation parameters were optimized for printing. Every care has been taken to ensure that the file is suitable for use by ISO member bodies. In the unlikely event that a problem relating to it is found, please inform the Central Secretariat at the address given below.

.....



COPYRIGHT PROTECTED DOCUMENT

© ISO 2009

All rights reserved. Unless otherwise specified, no part of this publication may be reproduced or utilized in any form or by any means, electronic or mechanical, including photocopying and microfilm, without permission in writing from either ISO at the address below or ISO's member body in the country of the requester.

ISO copyright office
Case postale 56 • CH-1211 Geneva 20
Tel. + 41 22 749 01 11
Fax + 41 22 749 09 47
E-mail copyright@iso.org
Web www.iso.org

Published in Switzerland

Foreword

ISO (the International Organization for Standardization) is a worldwide federation of national standards bodies (ISO member bodies). The work of preparing International Standards is normally carried out through ISO technical committees. Each member body interested in a subject for which a technical committee has been established has the right to be represented on that committee. International organizations, governmental and non-governmental, in liaison with ISO, also take part in the work. ISO collaborates closely with the International Electrotechnical Commission (IEC) on all matters of electrotechnical standardization.

International Standards are drafted in accordance with the rules given in the ISO/IEC Directives, Part 2.

The main task of technical committees is to prepare International Standards. Draft International Standards adopted by the technical committees are circulated to the member bodies for voting. Publication as an International Standard requires approval by at least 75 % of the member bodies casting a vote.

Attention is drawn to the possibility that some of the elements of this document may be the subject of patent rights. ISO shall not be held responsible for identifying any or all such patent rights.

ISO 7612 was prepared by Technical Committee ISO/TC 22, *Road vehicles*, Subcommittee SC 7, *Injection equipment and filters for use on road vehicles*.

This fourth edition cancels and replaces the third edition (ISO 7612:2006), which has been technically revised.

11111111111111111111111111111111

Diesel engines — Base-mounted in-line fuel injection pumps and high-pressure supply pumps for common rail fuel injection systems — Mounting dimensions

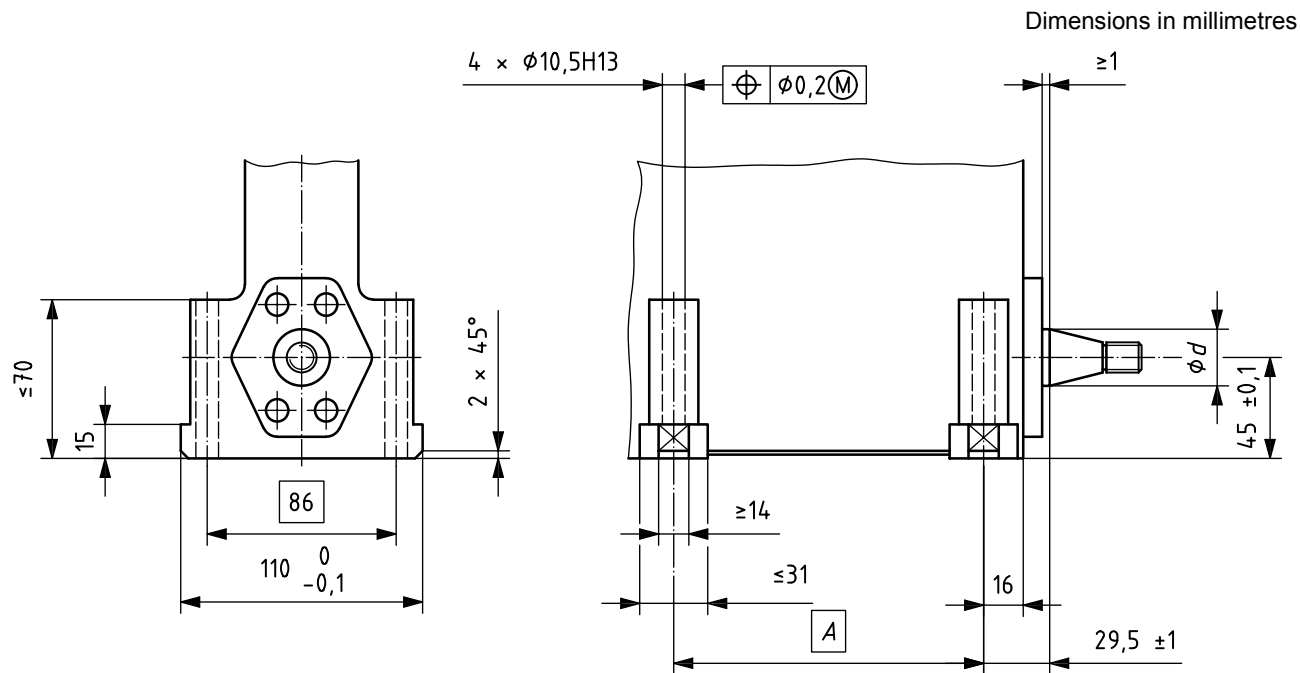
1 Scope

This International Standard specifies dimensional requirements for base-mounted in-line fuel injection pumps and high-pressure supply pumps for common rail fuel injection systems for diesel (compression-ignition) engines.

2 Dimensions and tolerances

Dimensions and tolerances are given in Figures 1 to 8 and Tables 1 to 4.

Dimensions and tolerances not given in this International Standard are left to the manufacturer's choice.

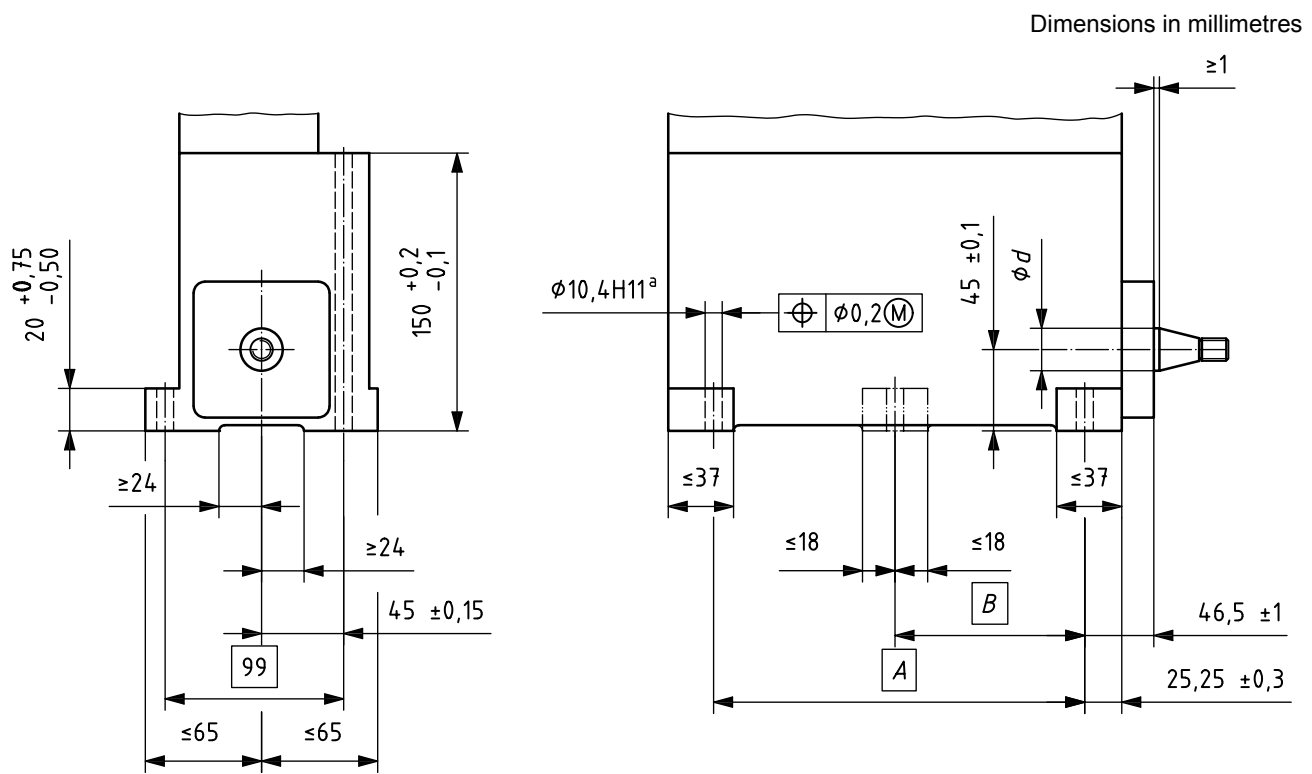


See Table 1 for other dimensions.

Figure 1 — Base-mounted in-line fuel injection pump — Type 1

Table 1 — Base-mounted in-line fuel injection pump — Type 1

Number of cylinders	d^a nom. mm	A ref. mm
4	25 or 30	140
6		210
8		280
10		353
12		423
^a Corresponds to dimension d in ISO 6519.		



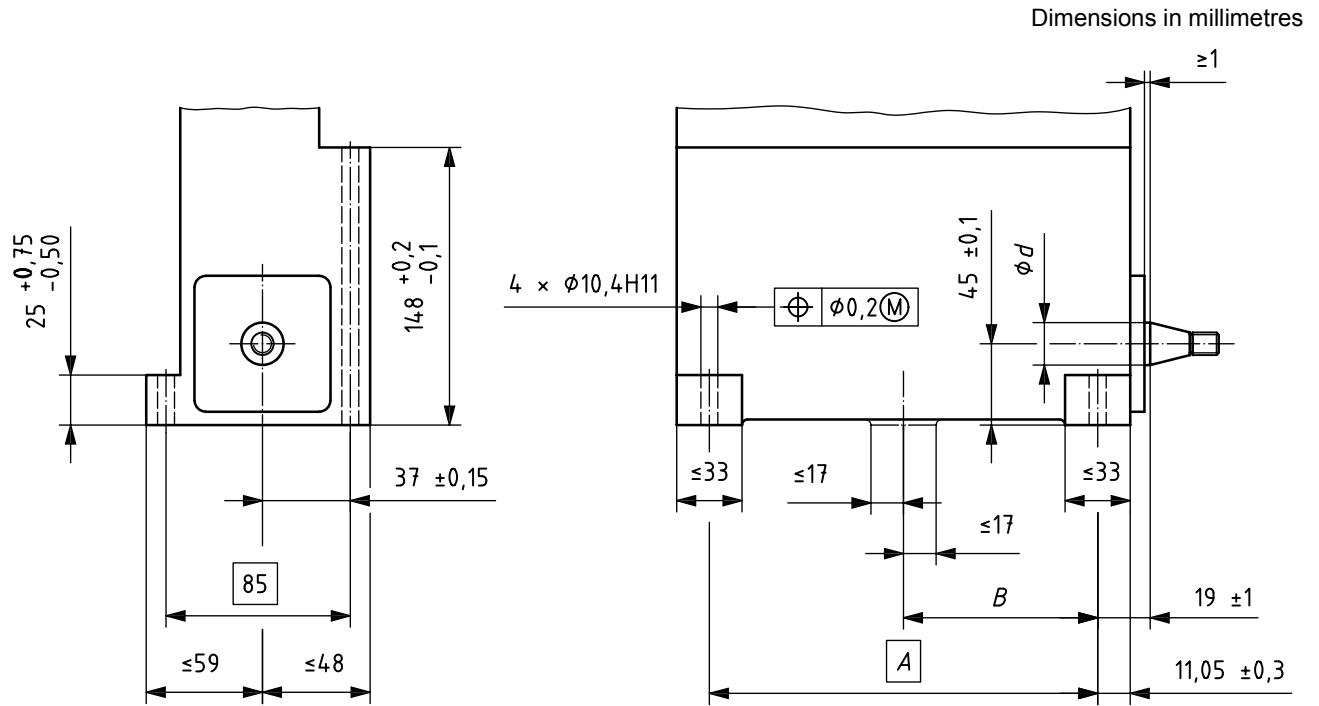
See Table 2 for other dimensions.

^a 4 or 6 holes.

Figure 2 — Base-mounted in-line fuel injection pump — Type 2

Table 2 — Base-mounted in-line fuel injection pump — Type 2

Number of cylinders	d^a nom. mm	A ref. mm	B ref. mm	Number of fixing holes
4	25 or 30	133,5	—	4
6		206	—	4
8		278,5	139,25	6
^a Corresponds to dimension d in ISO 6519.				



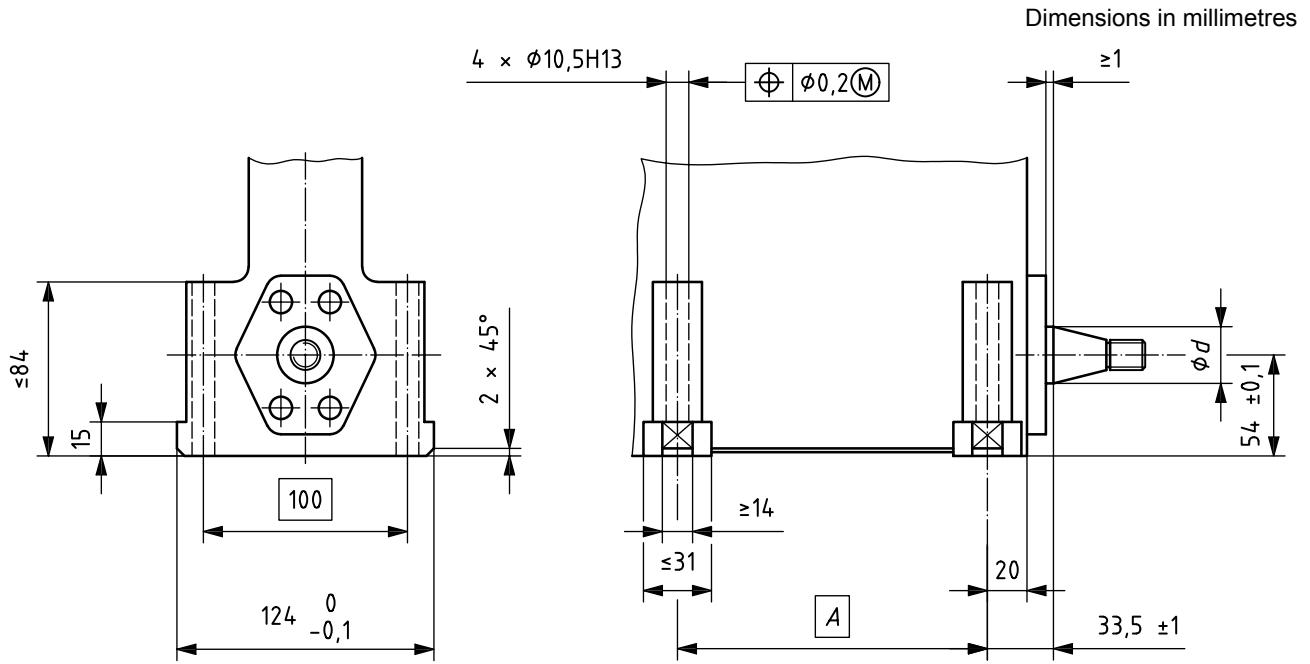
See Table 3 for other dimensions.

Figure 3 — Base-mounted in-line fuel injection pump — Type 3

Table 3 — Base-mounted in-line fuel injection pump — Type 3

Number of cylinders	d^a nom. mm	A ref. mm	B $\pm 0,25$ mm
4	25 or 30	154	—
6		218	—
8		302	151

^a Corresponds to dimension d in ISO 6519.



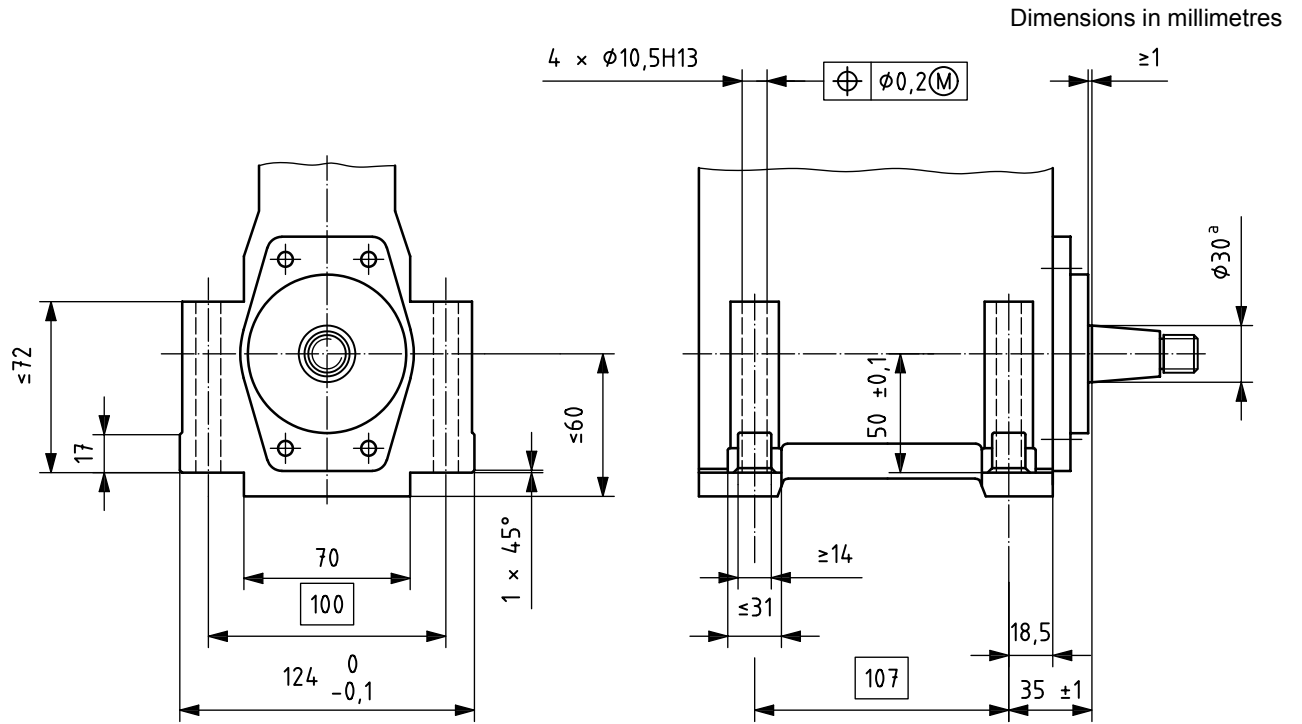
See Table 4 for other dimensions.

Figure 4 — Base-mounted in-line fuel injection pump — Type 4

Table 4 — Base-mounted in-line fuel injection pump — Type 4

Number of cylinders	d^a nom. mm	A ref. mm
4	30 or 35	132
6		202
8		272

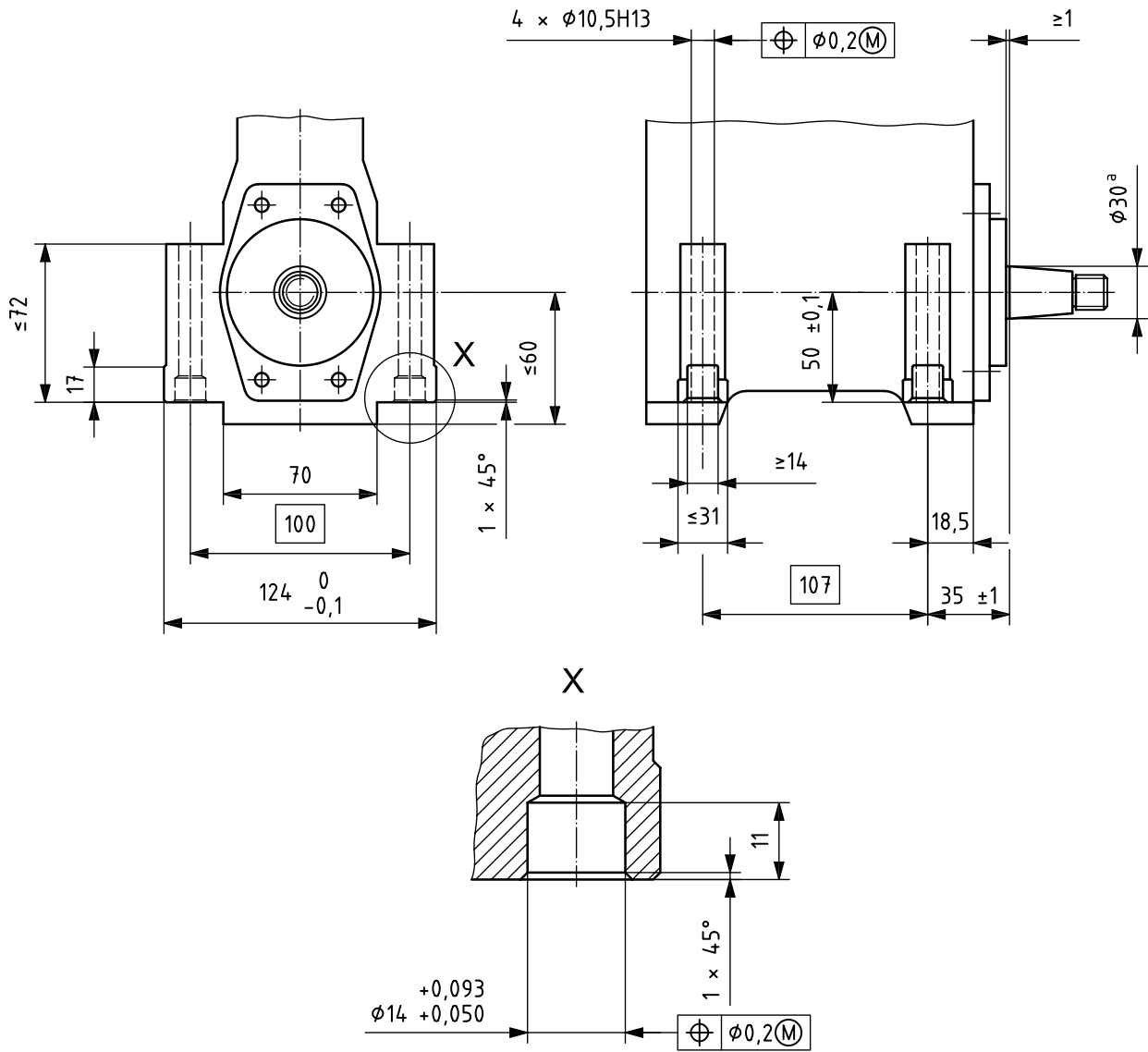
^a Corresponds to dimension d in ISO 6519.



^a Corresponds to dimension *d* in ISO 6519.

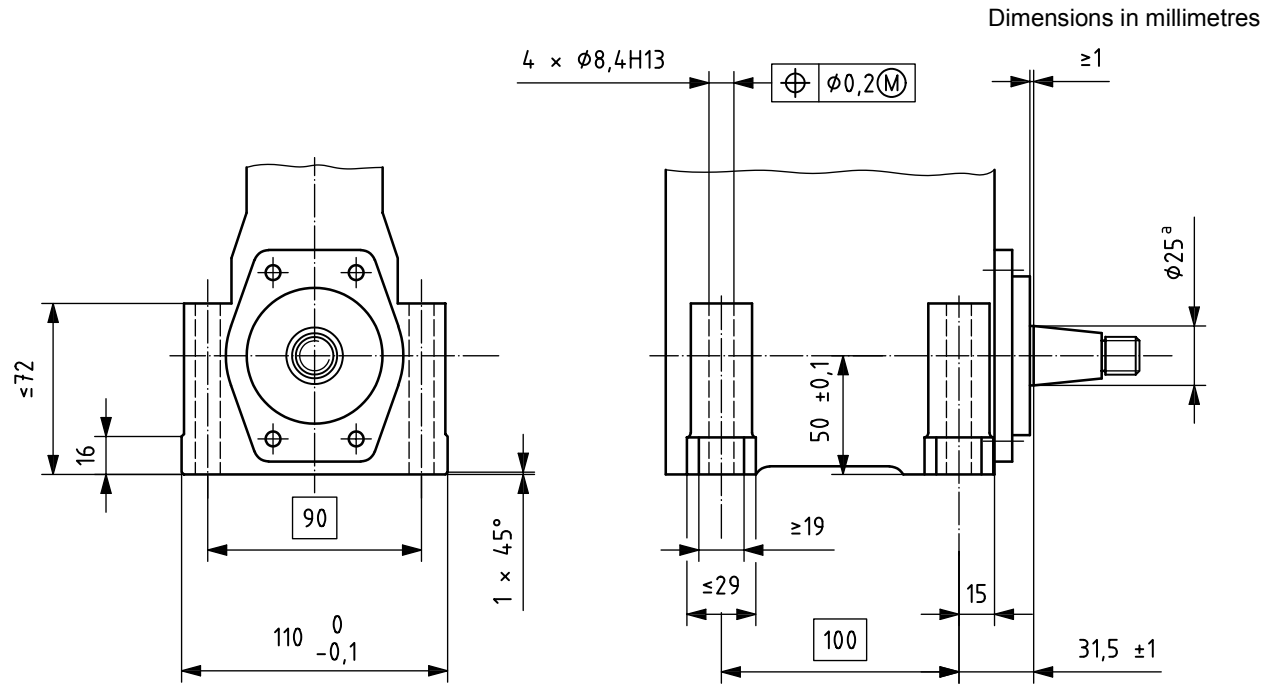
Figure 5 — Base-mounted, two cylinder, high-pressure supply pump — Type 5

Dimensions in millimetres



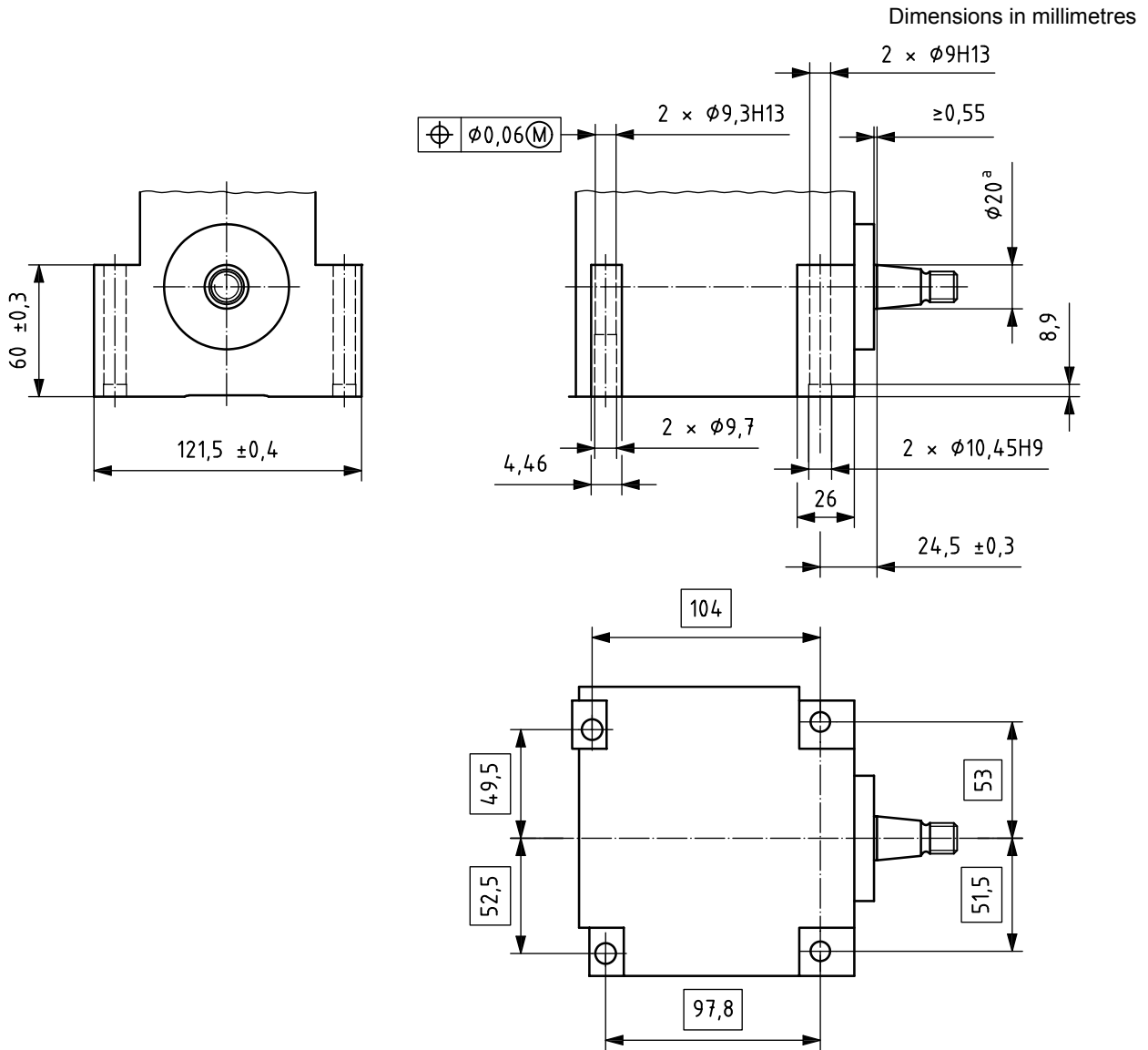
^a Corresponds to dimension *d* in ISO 6519.

Figure 6 — Base-mounted, two cylinder, high-pressure supply pump — Type 6



^a Corresponds to dimension d in ISO 6519.

Figure 7 — Base-mounted, two cylinder, high-pressure supply pump — Type 7



^a Corresponds to dimension d in ISO 6519.

Figure 8 — Base-mounted, three cylinder, high-pressure supply pump — Type 8

Bibliography

- [1] ISO 6519, *Diesel engines — Fuel injection pumps — Tapers for shaft ends and hubs*
- [2] ISO 7299-1, *Diesel engines — End-mounting flanges for pumps — Part 1: Fuel injection pumps*
- [3] ISO 7299-2, *Diesel engines — End-mounting flanges for pumps — Part 2: High-pressure supply pumps for common rail fuel injection systems*
- [4] ISO 7879, *Diesel engines — Cradle-mounted in-line fuel injection pumps — Mounting dimensions*

ICS 43.060.40

Price based on 9 pages