
**Road vehicles — Electrical/electronic
switching devices —**

**Part 2:
Electronic devices**

*Véhicules routiers — Dispositifs électriques/électroniques de commutation —
Partie 2: Dispositifs électroniques*



Foreword

ISO (the International Organization for Standardization) is a worldwide federation of national standards bodies (ISO member bodies). The work of preparing International Standards is normally carried out through ISO technical committees. Each member body interested in a subject for which a technical committee has been established has the right to be represented on that committee. International organizations, governmental and non-governmental, in liaison with ISO, also take part in the work. ISO collaborates closely with the International Electrotechnical Commission (IEC) on all matters of electrotechnical standardization.

Draft International Standards adopted by the technical committees are circulated to the member bodies for voting. Publication as an International Standard requires approval by at least 75 % of the member bodies casting a vote.

International Standard ISO 7588-2 was prepared by Technical Committee ISO/TC 22, *Road vehicles*, Subcommittee SC 3, *Electrical and electronic equipment*.

ISO 7588 consists of the following parts, under the general title *Road vehicles — Electrical/electronic switching devices*:

- *Part 1: Relays and flashers*
- *Part 2: Electronic devices*
- *Part 3: Microrelays*

Annexes A and B of this part of ISO 7588 are for information only.

© ISO 1998

All rights reserved. Unless otherwise specified, no part of this publication may be reproduced or utilized in any form or by any means, electronic or mechanical, including photocopying and microfilm, without permission in writing from the publisher.

International Organization for Standardization
Case postale 56 • CH-1211 Genève 20 • Switzerland
Internet iso@iso.ch

Printed in Switzerland

Road vehicles — Electrical/electronic switching devices —

Part 2: Electronic devices

1 Scope

This part of ISO 7588 specifies dimensional characteristics of electronic devices intended for road vehicles.

Annex A gives additional information on the dimensions of socket apertures and annex B gives recommended terminal identification.

2 Normatives references

The following standards contain provisions which, through reference in this text, constitute provisions of this part of ISO 7588. At the time of publication, the editions indicated were valid. All standards are subject to revision, and parties to agreements based on this part of ISO 7588 are encouraged to investigate the possibility of applying the most recent editions of the standards indicated below. Members of IEC and ISO maintain registers of currently valid International Standards.

ISO 8092-1:1996, *Road vehicles — Connections for on-board electrical wiring harnesses — Part 1: Tabs for single-pole connections — Dimensions and specific requirements.*

ISO 8092-2:—¹⁾, *Road vehicles — Connections for on-board electrical wiring harnesses — Part 2: Definitions, test methods and general performance requirements.*

3 Definitions

For the purposes of this part of ISO 7588, the definitions given in ISO 8092-2 apply.

4 Dimensions and other requirements

4.1 General

Dimensional characteristics and other requirements are specified in 4.2 to 4.4.

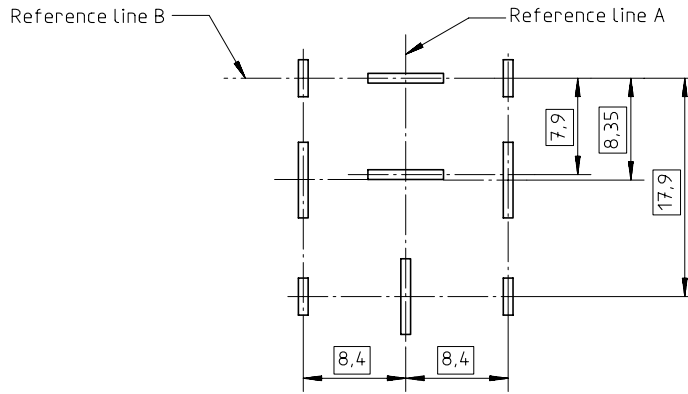
¹⁾ To be published. (Revision of ISO 8092-2:1996)

NOTE — All corresponding dimensions also apply if less than nine tabs are fitted.
 The dimensions of socket apertures given in annex A are for information only.

4.2 Positioning zones of the tabs and socket apertures

4.2.1 Location of tabs and apertures — True position

See figure 1.



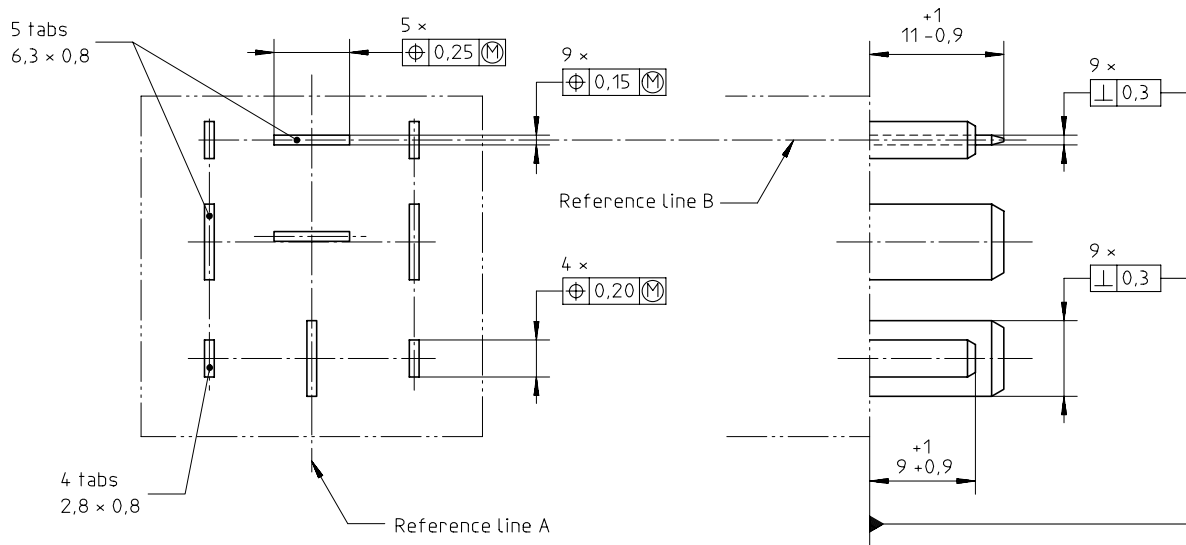
Dimensions in millimetres

Figure 1

4.2.2 Dimensional limits of the tabs

See figure 2.

The tabs shall be in accordance with ISO 8092-1, sizes $6,3 \times 0,8$, and $2,8 \times 0,8$ respectively, and shall not have shoulders.



Dimensions in millimetres

Figure 2

4.3 Overall dimensions and other requirements for electronic devices

See figure 3 and table 1.

Configurations other than rectangular are permitted, provided they lie within the specified area.

However, in all cases the outside contour shall lie within the dimensions X and Y (maximum) given in figure 3 and in table 1.

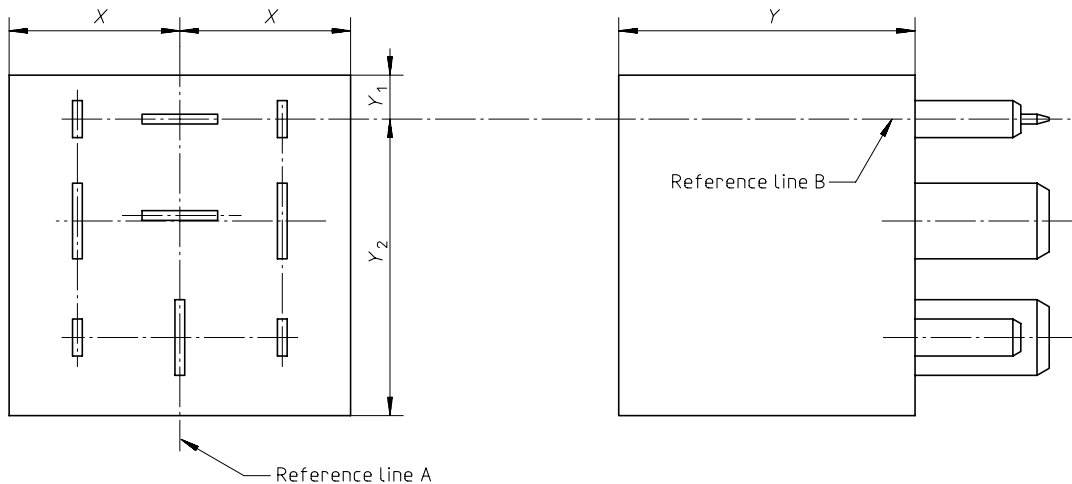


Figure 3

Table 1

Size type	Dimensions in millimetres			
	X max.	Y_1 max.	Y_2 max.	Z max.
C	15,3	5,0	25,7	55
D	17	9,6	30,3	55
E	20	9,6	30,3	55

4.4 Other requirements for sockets

4.4.1 Apertures at the entering plane shall be in accordance with figure 1 and shall accept tabs to the maximum limits.

4.4.2 In order to avoid the need for excessive withdrawal force, it is recommended that the female connectors in the socket should not incorporate detents.

5 Functional allocation of electronic device terminals

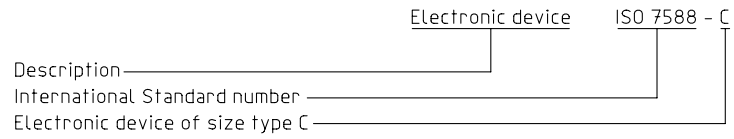
No functional allocation of terminals has been established for this part of ISO 7588.

No terminal identification has been specified but a recommended practice is given in annex B.

6 Designation

Electronic devices in accordance with this part of ISO 7588 shall be designated as shown in the following example.

EXAMPLE



NOTE — A manufacturer's reference number should be used to identify products with differing functional allocation.

Annex A (informative)

Dimensions of socket apertures

A.1 General

This annex is for information only, pending completion of current ISO work on dimensions of socket apertures. A definitive specification may be given in a future edition of this part of ISO 7588.

A.2 Dimensions of socket apertures

Socket apertures should accommodate the following tab positioning zones (see figure A.1):

- at entering plane: 7,3 mm × 1,6 mm for tab size 6,3 × 0,8;
3,8 mm × 1,6 mm for tab size 2,8 × 0,8;
- at throat: 6,7 mm × 1,0 mm for tab size 6,3 × 0,8;
3,2 mm × 1,0 mm for tab size 2,8 × 0,8.

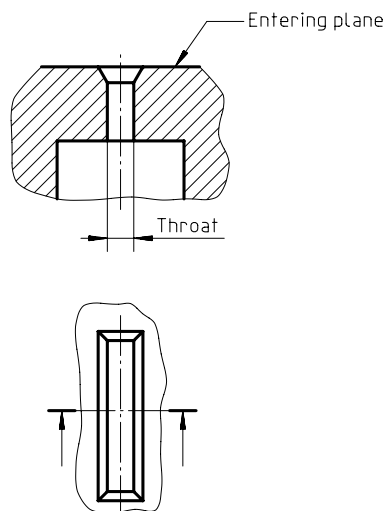


Figure A.1

Annex B (informative)

Recommended practice for terminal identification of electronic devices viewed from the terminal connection side

See figure B.1.

The five large terminals should be identified in accordance with ISO 7588-1.

The four small terminals should be identified with letters to differentiate them from existing manufacturer's numbers.

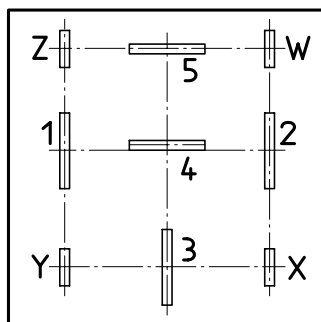


Figure B.1

ICS 43.040.10; 43.040.20

Descriptors: road vehicles, motor vehicles, electronic equipment, electronic switches, electronic terminals, electric contacts, form specifications, dimensions, overall dimensions, position (location), contact allocation, designation.

Price based on 6 pages
