

---

---

**Button head screws —**

Part 2:

**Hexagon socket button head screws with  
collar**

*Vis à tête cylindrique bombée plate —*

*Partie 2: Vis à tête cylindrique bombée plate à six pans creux à embase  
plate*



Reference number  
ISO 7380-2:2011(E)

© ISO 2011



**COPYRIGHT PROTECTED DOCUMENT**

© ISO 2011

All rights reserved. Unless otherwise specified, no part of this publication may be reproduced or utilized in any form or by any means, electronic or mechanical, including photocopying and microfilm, without permission in writing from either ISO at the address below or ISO's member body in the country of the requester.

ISO copyright office  
Case postale 56 • CH-1211 Geneva 20  
Tel. + 41 22 749 01 11  
Fax + 41 22 749 09 47  
E-mail [copyright@iso.org](mailto:copyright@iso.org)  
Web [www.iso.org](http://www.iso.org)

Published in Switzerland

© ISO 2011 - All rights reserved

## Foreword

ISO (the International Organization for Standardization) is a worldwide federation of national standards bodies (ISO member bodies). The work of preparing International Standards is normally carried out through ISO technical committees. Each member body interested in a subject for which a technical committee has been established has the right to be represented on that committee. International organizations, governmental and non-governmental, in liaison with ISO, also take part in the work. ISO collaborates closely with the International Electrotechnical Commission (IEC) on all matters of electrotechnical standardization.

International Standards are drafted in accordance with the rules given in the ISO/IEC Directives, Part 2.

The main task of technical committees is to prepare International Standards. Draft International Standards adopted by the technical committees are circulated to the member bodies for voting. Publication as an International Standard requires approval by at least 75 % of the member bodies casting a vote.

Attention is drawn to the possibility that some of the elements of this document may be the subject of patent rights. ISO shall not be held responsible for identifying any or all such patent rights.

ISO 7380-2 was prepared by Technical Committee ISO/TC 2, *Fasteners*, Subcommittee SC 11, *Fasteners with metric external thread*.

This first edition of ISO 7380-2, together with ISO 7380-1, cancels and replaces ISO 7380:2004, which has been technically revised.

ISO 7380 consists of the following parts, under the general title *Button head screws*:

- *Part 1: Hexagon socket button head screws*
- *Part 2: Hexagon socket button head screws with collar*



# Button head screws —

## Part 2: Hexagon socket button head screws with collar

### 1 Scope

This International Standard specifies the characteristics of hexagon socket button head screws with collar with threads from M3 up to and including M16, with product grade A and with reduced loadability according to Table 3.

If, in special cases, specifications other than those listed in this International Standard are required, they can be selected from existing International Standards, e.g. ISO 261, ISO 888, ISO 898-1, ISO 965-2 and ISO 4759-1.

### 2 Normative references

The following referenced documents are indispensable for the application of this document. For dated references, only the edition cited applies. For undated references, the latest edition of the referenced document (including any amendments) applies.

ISO 225, *Fasteners — Bolts, screws, studs and nuts — Symbols and descriptions of dimensions*

ISO 261, *ISO general purpose metric screw threads — General plan*

ISO 898-1, *Mechanical properties of fasteners made of carbon steel and alloy steel — Part 1: Bolts, screws and studs with specified property classes — Coarse thread and fine pitch thread*

ISO 965-2, *ISO general purpose metric screw threads — Tolerances — Part 2: Limits of sizes for general purpose external and internal screw threads — Medium quality*

ISO 965-3, *ISO general purpose metric screw threads — Tolerances — Part 3: Deviations for constructional screw threads*

ISO 3269, *Fasteners — Acceptance inspection*

ISO 4042, *Fasteners — Electroplated coatings*

ISO 4753, *Fasteners — Ends of parts with external ISO metric thread*

ISO 4759-1, *Tolerances for fasteners — Part 1: Bolts, screws, studs and nuts — Product grades A, B and C*

ISO 6157-1, *Fasteners — Surface discontinuities — Part 1: Bolts, screws and studs for general requirements*

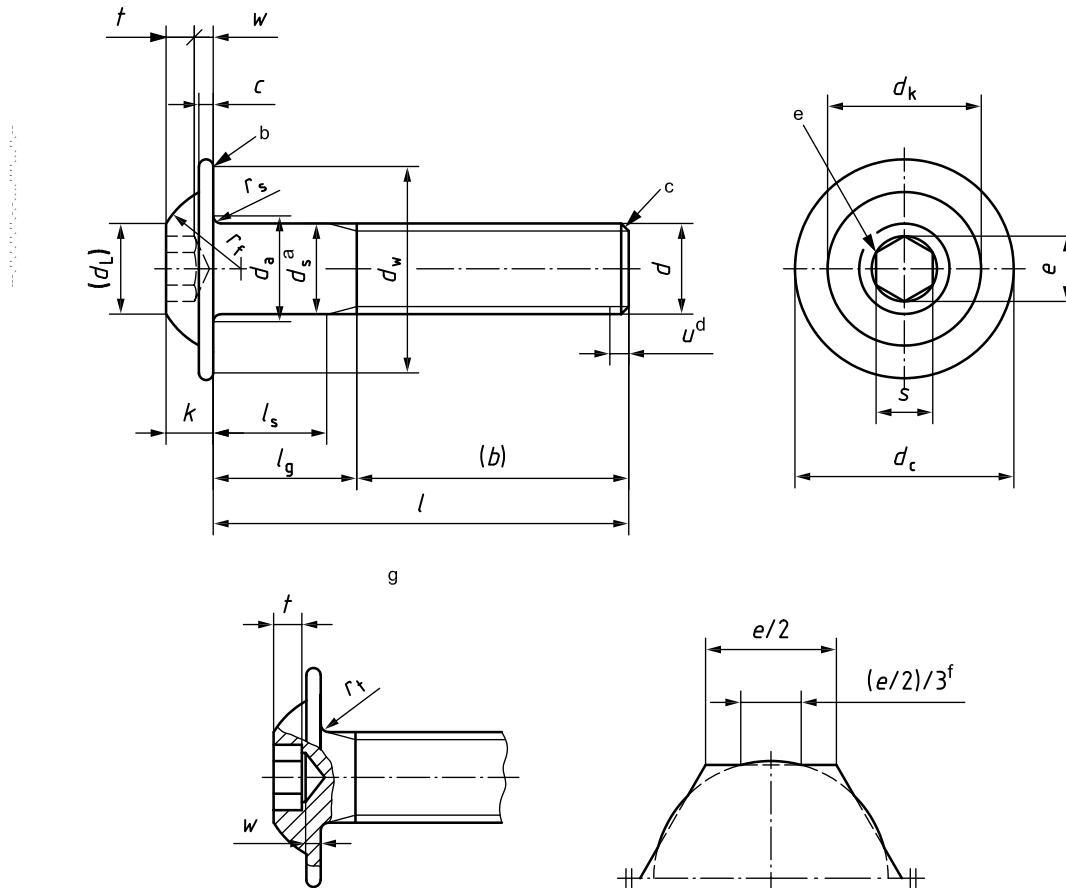
ISO 8992, *Fasteners — General requirements for bolts, screws, studs and nuts*

ISO 10683, *Fasteners — Non-electrolytically applied zinc flake coatings*

### 3 Dimensions

See Figure 1 and Table 1.

Symbols and descriptions of dimensions are specified in ISO 225.



#### Key

- $r_s$  underhead radius for a screw with unthreaded shank
- $r_t$  underhead radius for a fully threaded screw
- a  $d_s$  applies if values of  $l_{s,min}$  are specified.
- b Contour at the discretion of the manufacturer.
- c In accordance with ISO 4753, point chamfered or for sizes  $\leq M4$  "as rolled".
- d Incomplete thread  $u \leq 2P$ .
- e A slight rounding or countersink at the mouth of the socket is permissible.
- f For broached sockets which are at the maximum limit of size, the overcut resulting from drilling shall not exceed one third of the length of any flat of the socket which is  $e/2$ .
- g Permissible alternative form of socket.

Figure 1 — Hexagon socket button head screw with collar

Table 1 — Dimensions of hexagon socket button head screws with collar

Dimensions in millimetres

Thread, $d$	M3	M4	M5	M6	M8	M10	M12	M16	
$p^a$	0,5	0,7	0,8	1	1,25	1,5	1,75	2	
$b^b$ ref.	18	20	22	24	28	32	36	44	
$c$	max.	0,7	0,8	1,0	1,2	1,5	2,0	2,4	2,8
	min.	0,55	0,65	0,80	1,00	1,25	1,70	2,10	2,50
$d_a$ max.	3,6	4,7	5,7	6,8	9,2	11,2	13,7	17,7	
$d_c$	max.	6,9	9,4	11,8	13,6	17,8	21,9	26,0	34,0
	min.	6,32	8,82	11,10	12,90	17,10	21,06	25,16	33,00
$d_k$	max.	5,2	7,2	8,8	10,0	13,2	16,5	19,4	26,0
	min.	4,9	6,8	8,4	9,6	12,8	16,1	18,9	25,5
$d_L$ ref.	2,6	3,8	5,0	6,0	7,7	10,0	12,0	16,0	
$d_s$	max.	3	4	5	6	8	10	12	16
	min.	2,86	3,82	4,82	5,82	7,78	9,78	11,73	15,73
$d_w$ min.	5,74	8,24	10,40	12,20	16,40	20,22	24,32	32,00	
$e^{c,d}$ min.	2,303	2,873	3,443	4,583	5,723	6,863	9,149	11,429	
$k$	max.	1,65	2,20	2,75	3,30	4,40	5,50	6,60	8,80
	min.	1,40	1,95	2,50	3,00	4,10	5,20	6,24	8,44
$r_f$	max.	3,70	4,60	5,75	6,15	7,95	9,80	11,20	15,30
	min.	3,30	4,20	5,25	5,65	7,45	9,20	10,50	14,50
$r_s$ min.	0,10	0,20	0,20	0,25	0,40	0,40	0,60	0,60	
$r_t$ min.	0,30	0,40	0,45	0,50	0,70	0,70	1,10	1,10	
$s^d$	nom.	2	2,5	3	4	5	6	8	10
	max.	2,080	2,580	3,080	4,095	5,140	6,140	8,175	10,175
	min.	2,020	2,520	3,020	4,020	5,020	6,020	8,025	10,025
$t$ min.	1,04	1,30	1,56	2,08	2,60	3,12	4,16	5,20	
$w$ min.	0,20	0,30	0,38	0,74	1,05	1,45	1,63	2,25	

Table 1 (continued)

Dimensions in millimetres

Thread, <i>d</i>			M3		M4		M5		M6		M8		M10		M12		M16	
<i>l<sup>e</sup></i>			<i>l<sub>s</sub></i> and <i>l<sub>g</sub><sup>f</sup></i>															
nom.	min.	max.	<i>l<sub>s</sub></i> min.	<i>l<sub>g</sub></i> max.	<i>l<sub>s</sub></i> min.	<i>l<sub>g</sub></i> max.	<i>l<sub>s</sub></i> min.	<i>l<sub>g</sub></i> max.	<i>l<sub>s</sub></i> min.	<i>l<sub>g</sub></i> max.	<i>l<sub>s</sub></i> min.	<i>l<sub>g</sub></i> max.	<i>l<sub>s</sub></i> min.	<i>l<sub>g</sub></i> max.	<i>l<sub>s</sub></i> min.	<i>l<sub>g</sub></i> max.	<i>l<sub>s</sub></i> min.	<i>l<sub>g</sub></i> max.
6	5,76	6,24																
8	7,71	8,29																
10	9,71	10,29																
12	11,65	12,35																
16	15,65	16,35																
20	19,58	20,42																
25	24,58	25,42	4,5	7														
30	29,58	30,42	9,5	12	6,5	10	4	8										
35	34,5	35,5			11,5	15	9	13	6	11								
40	39,5	40,5			16,5	20	14	18	11	16	5,75	12						
45	44,5	45,5					19	23	16	21	10,75	17	5,5	13				
50	49,5	50,5					24	28	21	26	15,75	22	10,5	18				
55	54,4	55,6							26	31	20,75	27	15,5	23	10,25	19		
60	59,4	60,6							31	36	25,75	32	20,5	28	15,25	24		
65	64,4	65,6									30,75	37	25,5	33	20,25	29	11	21
70	69,4	70,6									35,75	42	30,5	38	25,25	34	16	26
80	79,4	80,6									45,75	52	40,5	48	35,25	44	26	36
90	89,4	90,6											50,5	58	45,25	54	36	46

a *P* is the pitch of the thread.

b For lengths between the bold, stepped lines in the unshaded area.

c  $e_{min} = 1,14 s_{min}$ .

d Combined gauging of socket dimensions *e* and *s*, as specified in ISO 23429.

e The range of preferred lengths is between the bold stepped lines.

f Lengths in the shaded area are threaded to the head within  $3P$ . Lengths below the shaded area have values of *l<sub>g</sub>* and *l<sub>s</sub>* in accordance with the following equations:  
 $l_{g,max} = l_{nom} - b$   
 $l_{s,min} = l_{g,max} - 5P$ .



## 4 Requirements and reference International Standards

See Tables 2 and 3.

**Table 2 — Requirements and reference International Standards**

<b>Material</b>		Steel
<b>General requirements</b>	International Standard	ISO 8992
<b>Thread</b>	Tolerance class	6g
	International Standard	ISO 261, ISO 965-2, ISO 965-3
<b>Mechanical property</b>	Property class	8.8, 10.9
	Marking symbol	08.8, 010.9
	International Standard	ISO 898-1 <sup>a</sup>
<b>Tolerance</b>	Product grade	A
	International Standard	ISO 4759-1
<b>Finish — Coating</b>	<p>As processed.</p> <p>Requirements for electroplating are specified in ISO 4042.</p> <p>Requirements for non-electrolytically applied zinc flake coatings are specified in ISO 10683.</p> <p>Additional requirements or other finishes or coatings shall be agreed between the supplier and the purchaser.</p>	
<b>Surface integrity</b>	Limits for surface discontinuities are specified in ISO 6157-1.	
<b>Acceptability</b>	The acceptance inspection is specified in ISO 3269.	
<p><sup>a</sup> Because of their head configurations, it is possible for these screws to not meet the minimum ultimate tensile loads specified in ISO 898-1. They shall nevertheless meet the other material and property requirements for the respective property class specified in ISO 898-1. In addition, when full-size screws are tensile tested in accordance with ISO 898-1, they shall withstand, without fracture, the minimum ultimate tensile loads given in Table 3. If tested to failure, the fracture may occur in the threaded section, the head, the shank or at the head/shank junction.</p>		

**Table 3 — Reduced minimum ultimate tensile loads for hexagon socket button head screws**

Thread, <i>d</i>	Property class	
	8.8 <sup>a</sup>	10.9 <sup>a</sup>
Reduced minimum ultimate tensile load N		
<b>M3</b>	3 220	4 180
<b>M4</b>	5 620	7 300
<b>M5</b>	9 080	11 800
<b>M6</b>	12 900	16 700
<b>M8</b>	23 400	30 500
<b>M10</b>	37 100	48 200
<b>M12</b>	53 900	70 200
<b>M16</b>	100 000	130 000
<p><sup>a</sup> 80 % of the values for <math>F_{m,min}</math> specified in ISO 898-1.</p>		

## 5 Designation

The designation and marking requirements for steel fasteners with reduced loadability shall apply as specified in ISO 898-1.

EXAMPLE A hexagon socket button head screw with collar, thread M12, of nominal length  $l = 40$  mm and property class 10.9 in accordance with ISO 898-1, is designated as follows:

**Hexagon socket button head screw ISO 7380-2 - M12 × 40 - 010.9**

.....

## Bibliography

- [1] ISO 888, *Bolts, screws and studs — Nominal lengths, and thread lengths for general purpose bolts*

© ISO 2011. All rights reserved.

---

---

**ICS 21.060.10**

Price based on 7 pages