
**Rubber-covered rollers — Determination
of apparent hardness —**

Part 3:
Pusey and Jones method

*Cylindres revêtus de caoutchouc — Détermination de la dureté
apparente —*

Partie 3: Méthode Pusey et Jones



PDF disclaimer

This PDF file may contain embedded typefaces. In accordance with Adobe's licensing policy, this file may be printed or viewed but shall not be edited unless the typefaces which are embedded are licensed to and installed on the computer performing the editing. In downloading this file, parties accept therein the responsibility of not infringing Adobe's licensing policy. The ISO Central Secretariat accepts no liability in this area.

Adobe is a trademark of Adobe Systems Incorporated.

Details of the software products used to create this PDF file can be found in the General Info relative to the file; the PDF-creation parameters were optimized for printing. Every care has been taken to ensure that the file is suitable for use by ISO member bodies. In the unlikely event that a problem relating to it is found, please inform the Central Secretariat at the address given below.



COPYRIGHT PROTECTED DOCUMENT

© ISO 2007

All rights reserved. Unless otherwise specified, no part of this publication may be reproduced or utilized in any form or by any means, electronic or mechanical, including photocopying and microfilm, without permission in writing from either ISO at the address below or ISO's member body in the country of the requester.

ISO copyright office
Case postale 56 • CH-1211 Geneva 20
Tel. + 41 22 749 01 11
Fax + 41 22 749 09 47
E-mail copyright@iso.org
Web www.iso.org

Published in Switzerland

Contents

Page

Foreword.....	iv
Introduction	v
1 Scope	1
2 Normative references	1
3 Terms and definitions.....	2
4 Time-interval between vulcanization/finished grinding and testing	2
5 Conditioning and temperature of test.....	2
6 Apparatus	2
7 Procedure	3
8 Expression of results	3
9 Test report	3
Bibliography	6

Foreword

ISO (the International Organization for Standardization) is a worldwide federation of national standards bodies (ISO member bodies). The work of preparing International Standards is normally carried out through ISO technical committees. Each member body interested in a subject for which a technical committee has been established has the right to be represented on that committee. International organizations, governmental and non-governmental, in liaison with ISO, also take part in the work. ISO collaborates closely with the International Electrotechnical Commission (IEC) on all matters of electrotechnical standardization.

International Standards are drafted in accordance with the rules given in the ISO/IEC Directives, Part 2.

The main task of technical committees is to prepare International Standards. Draft International Standards adopted by the technical committees are circulated to the member bodies for voting. Publication as an International Standard requires approval by at least 75 % of the member bodies casting a vote.

Attention is drawn to the possibility that some of the elements of this document may be the subject of patent rights. ISO shall not be held responsible for identifying any or all such patent rights.

ISO 7267-3 was prepared by Technical Committee ISO/TC 45, *Rubber and rubber products*, Subcommittee SC 2, *Testing and analysis*.

This second edition cancels and replaces the first edition (ISO 7267-3:1988), which has been revised primarily to update the normative references and the test report (Clause 9).

ISO 7267 consists of the following parts, under the general title *Rubber-covered rollers — Determination of apparent hardness*:

- *Part 1 IRHD method*
- *Part 2: Shore-type durometer method*
- *Part 3: Pusey and Jones method*

Introduction

The hardness of a roller covering has traditionally been determined on the finished roller, since it is this hardness that is critical to the correct functioning of the roller in its end application. Values of hardness, determined by whichever method is chosen, are therefore dependent not only on the method employed and on the rubber, but also on the diameter of the roller, on the thickness of the covering and, in the case of thin coverings, on the nature of the roller core. For this reason the term “apparent hardness” is used to distinguish between the values obtained by the methods described in the various parts of this International Standard and those that would be obtained for the rubber if it was possible to use the standard test methods for standard test pieces forming the subjects of other International Standards.

Since rollers vary considerably in size, construction and end use, and in view of the fact that hardness determinations are made for such different purposes as specification and factory process control, it has not been possible to standardize one test method. Consequently, three methods are described, each capable of standing alone (see foreword).

Rubber-covered rollers — Determination of apparent hardness —

Part 3: Pusey and Jones method

WARNING — Persons using this part of ISO 7267 should be familiar with normal laboratory practice. This standard does not purport to address all of the safety problems, if any, associated with its use. It is the responsibility of the user to establish appropriate safety and health practices and to ensure compliance with any national regulatory conditions.

CAUTION — Certain procedures specified in this part of ISO 7267 may involve the use or generation of substances, or the generation of waste, that could constitute a local environmental hazard. Reference should be made to appropriate documentation on safe handling and disposal after use.

1 Scope

This part of ISO 7267 specifies a method for the determination of the apparent hardness of vulcanized rubber roller covers, expressed as the Pusey and Jones indentation value.

The Pusey and Jones plastometer apparatus is used to measure the depth of indentation of an indenter under a specified force into the surface of the rubber. The indentation value should not be confused with hardness as measured by the international rubber hardness test method ISO 48^[1], since in this method the rubber immediately adjacent to the indenter is precompressed. The Pusey and Jones indentation value is an inverse measurement of hardness, i.e. the harder the rubber the lower the Pusey and Jones indentation value.

2 Normative references

The following referenced documents are indispensable for the application of this document. For dated references, only the edition cited applies. For undated references, the latest edition of the referenced document (including any amendments) applies.

ISO 23529, *Rubber — General procedures for preparing and conditioning test pieces for physical test methods*

3 Terms and definitions

For the purpose of this document, the following terms and definitions apply.

3.1

Pusey and Jones indentation value

depth of indentation, in hundredths of a millimetre, of a ball 3,175 mm in diameter under a force of 9,8 N

4 Time-interval between vulcanization/finished grinding and testing

Tests shall be carried out not less than 16 h after vulcanization and/or finished grinding and, for arbitration purposes, not less than 72 h after vulcanization (see ISO 23529).

5 Conditioning and temperature of test

Where possible, the test shall be carried out at standard laboratory temperature in accordance with ISO 23529. The product under test should be maintained under the test condition for sufficient time to reach temperature equilibrium with the test environment. Where this is impracticable, the period of time and the conditions shall be given in the product specification (see the note).

The same temperature shall be used throughout any one test or series of tests intended to be comparable.

NOTE For large rollers having heavy metal cores, ambient conditions may not allow equilibrium temperatures to be obtained.

6 Apparatus

6.1 Plastometer, consisting of a supporting frame, an indenter, a mass for applying a fixed gravitational force on the indenter, a depth indicator and a specimen holder.

6.1.1 Supporting frame, so configured that the indenter and mass may be independently raised or lowered vertically, permitting the indenter to rest on the surface of the test roller and the mass to be applied subsequently to the indenter.

6.1.2 Indenter, consisting of a vertical steel shaft attached at the upper end to the spindle of the indicator gauge and having at the lower end a steel ball. The steel ball shall be $(3,175 \pm 0,015)$ mm in diameter and shall be made of highly polished, non-corrosive hard metal properly treated to resist wear.

6.1.3 Mass, of $(1\ 000 \pm 2)$ g.

6.1.4 Depth indicator, comprising a dial gauge or other suitable device graduated in increments of 0,01 mm and having a range of at least 3 mm to indicate the movement of the indenter.

6.1.5 Specimen holder, consisting of a clamp made of two metal plates held together by two threaded bolts as shown in Figure 1. The purpose of the clamp is to hold the test roller flat and free from slight movements that might introduce variations into the test. The top plate shall be provided with a hole and slot for the operation of the indenter.

7 Procedure

7.1 Firmly position the roller to be tested with its major axis horizontal and with the area in which the hardness is to be measured uppermost. Place the plastometer (6.1), with the axis of the indenter (6.1.2) vertical, on the roller over the position where the hardness is to be measured and lower the indenter into contact with the roller surface and until the gauge needle of the depth indicator (6.1.4) makes three revolutions. Adjust the dial gauge to read zero. Apply the indenting force by lowering the supporting frame (6.1.1) so that the mass (6.1.3) rests fully on the indenter as shown by a space of approximately 5 mm between the supporting plate and the shoulder of the mass tube. Read the amount of indentation on the gauge 60 s after the application of the force.

7.2 Make three measurements, at different points at least 6 mm apart, within each test area in which the hardness is to be determined.

NOTE Several test areas along the length and around the circumference of the roller may be required to determine the average hardness of the covering and the hardness variation over a single roller (see ISO 6123-1 [2]).

8 Expression of results

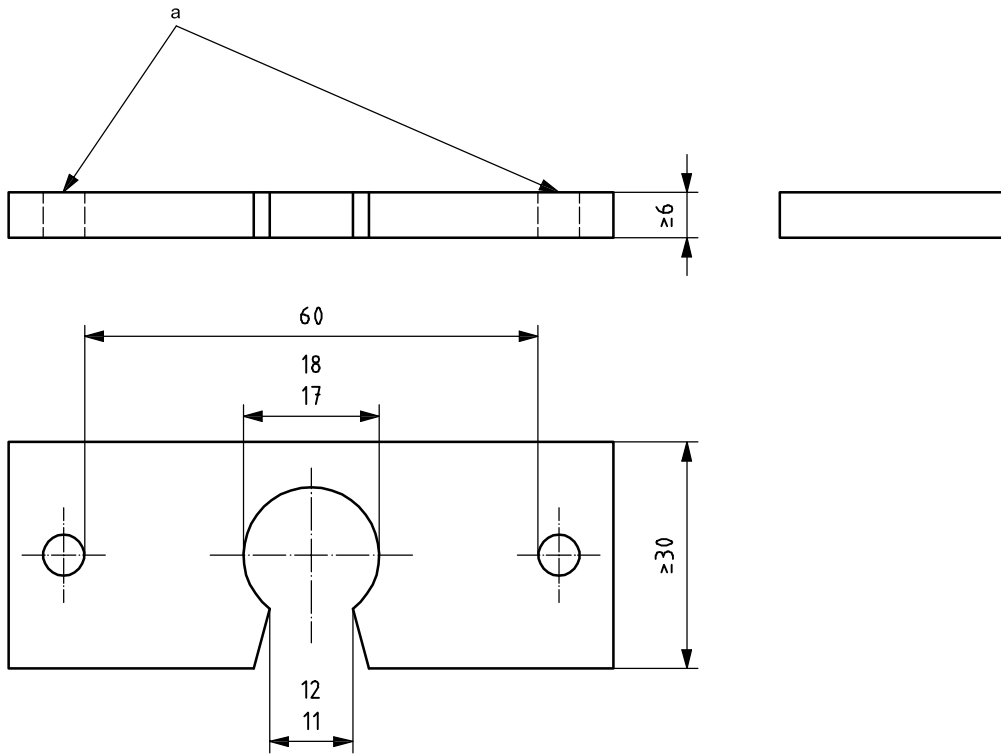
Express the apparent hardness as the median of three measurements for each test area, reported to the nearest whole number as the Pusey and Jones indentation value.

9 Test report

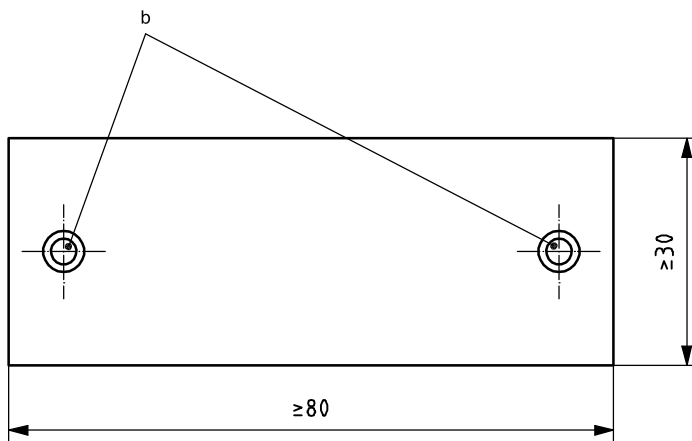
The test report shall include the following information:

- a) the reference number of this International Standard;
- b) a full description of the roller and its origin;
- c) test details:
 - 1) the time and temperature of conditioning prior to test,
 - 2) the temperature of test, if other than a standard laboratory temperature, and the relative humidity if necessary,
 - 3) details of any procedures not specified in this International Standard;
- d) test results:
 - 1) the number of areas or rollers tested,
 - 2) the individual test results,
 - 3) the apparent hardness, expressed as the Pusey and Jones indentation value (see Clause 8);
- e) the date of the test.

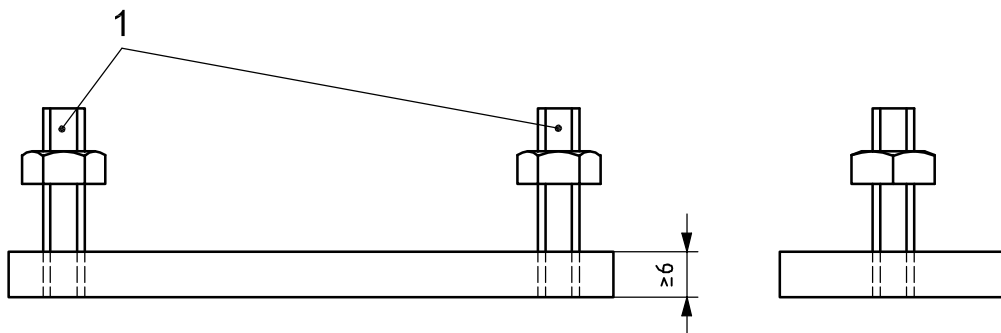
Dimensions in millimetres

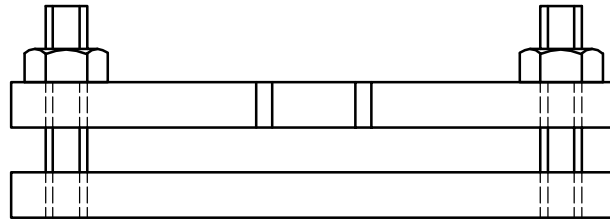


a) Top plate



b) Bottom plate





c) Assembled view

Key

- 1 threaded bolts
- a Drill to clear stud bolts.
- b Tap for stud bolts.

Figure 1 — Holder for test specimen

Bibliography

- [1] ISO 48, *Rubber, vulcanized or thermoplastic — Determination of hardness (hardness between 10 IRHD and 100 IRHD)*
- [2] ISO 6123-1, *Rubber or plastics covered rollers — Specifications — Part 1: Requirements for hardness*

This page is intentionally blank.

This page is intentionally blank.

This page is intentionally blank.

