
**Iron ores for blast furnace feedstocks —
Determination of the reducibility by the
final degree of reduction index**

*Minerais de fer pour charges de hauts fourneaux — Détermination de la
réductibilité relative par le degré final de l'indice de réduction*



Reference number
ISO 7215:2007(E)

© ISO 2007

PDF disclaimer

This PDF file may contain embedded typefaces. In accordance with Adobe's licensing policy, this file may be printed or viewed but shall not be edited unless the typefaces which are embedded are licensed to and installed on the computer performing the editing. In downloading this file, parties accept therein the responsibility of not infringing Adobe's licensing policy. The ISO Central Secretariat accepts no liability in this area.

Adobe is a trademark of Adobe Systems Incorporated.

Details of the software products used to create this PDF file can be found in the General Info relative to the file; the PDF-creation parameters were optimized for printing. Every care has been taken to ensure that the file is suitable for use by ISO member bodies. In the unlikely event that a problem relating to it is found, please inform the Central Secretariat at the address given below.



COPYRIGHT PROTECTED DOCUMENT

© ISO 2007

All rights reserved. Unless otherwise specified, no part of this publication may be reproduced or utilized in any form or by any means, electronic or mechanical, including photocopying and microfilm, without permission in writing from either ISO at the address below or ISO's member body in the country of the requester.

ISO copyright office
Case postale 56 • CH-1211 Geneva 20
Tel. + 41 22 749 01 11
Fax + 41 22 749 09 47
E-mail copyright@iso.org
Web www.iso.org

Published in Switzerland

Contents

Page

Foreword	iv
Introduction	v
1 Scope	1
2 Normative references	1
3 Terms and definitions	1
4 Principle	1
5 Sampling, sample preparation and preparation of test portions	2
6 Apparatus	2
7 Test conditions	3
8 Procedure	4
9 Expression of results	5
10 Test report	6
11 Verification	6
Annex A (normative) Flowsheet of the procedure for the acceptance of test results	9
Annex B (informative) Derivation of the equation for final degree of reduction	10

Foreword

ISO (the International Organization for Standardization) is a worldwide federation of national standards bodies (ISO member bodies). The work of preparing International Standards is normally carried out through ISO technical committees. Each member body interested in a subject for which a technical committee has been established has the right to be represented on that committee. International organizations, governmental and non-governmental, in liaison with ISO, also take part in the work. ISO collaborates closely with the International Electrotechnical Commission (IEC) on all matters of electrotechnical standardization.

International Standards are drafted in accordance with the rules given in the ISO/IEC Directives, Part 2.

The main task of technical committees is to prepare International Standards. Draft International Standards adopted by the technical committees are circulated to the member bodies for voting. Publication as an International Standard requires approval by at least 75 % of the member bodies casting a vote.

Attention is drawn to the possibility that some of the elements of this document may be the subject of patent rights. ISO shall not be held responsible for identifying any or all such patent rights.

ISO 7215 was prepared by Technical Committee ISO/TC 102, *Iron ore and direct reduced iron*, Subcommittee SC 3, *Physical testing*.

This third edition cancels and replaces the second edition (ISO 7215:1995), which has been revised to homogenise with other physical test standards.

.....

Introduction

This International Standard concerns one of a number of physical test methods that have been developed to measure various physical parameters and to evaluate the behaviour of iron ores, including reducibility, disintegration, crushing strength, apparent density, etc. This method was developed to provide a uniform procedure, validated by collaborative testing, to facilitate comparisons of tests made in different laboratories.

The results of this test should be considered in conjunction with other tests used to evaluate the quality of iron ores as feedstocks for blast furnace processes.

This International Standard may be used to provide test results as part of a production quality control system, as a basis of a contract, or as part of a research project.

Iron ores for blast furnace feedstocks — Determination of the reducibility by the final degree of reduction index

CAUTION — This International Standard may involve hazardous materials, operations and equipment. This standard does not purport to address all of the safety issues associated with its use. It is the responsibility of the user of this International Standard to establish appropriate safety and health practices and determine the applicability of regulatory limitations prior to its use.

1 Scope

This International Standard specifies a method to provide a relative measure for evaluating the extent to which oxygen can be removed from iron ores when reduced under conditions resembling those prevailing in the reduction zone of a blast furnace.

This International Standard is applicable to lump ores, sinters and hot-bonded pellets.

2 Normative references

The following referenced documents are indispensable for the application of this document. For dated references, only the edition cited applies. For undated references, the latest edition of the referenced document (including any amendments) applies.

ISO 2597-1:2006, *Iron ores — Determination of total iron content — Part 1: Titrimetric method after tin(II) chloride reduction*

ISO 3082:2000 ¹⁾, *Iron ores — Sampling and sample preparation procedures*

ISO 9035:1989, *Iron ores — Determination of acid-soluble iron(II) content — Titrimetric method*

ISO 9507:1990, *Iron ores — Determination of total iron content — Titanium(III) chloride reduction methods*

ISO 11323:2002, *Iron ore and direct reduced iron — Vocabulary*

3 Terms and definitions

For the purposes of this document, the terms and definitions given in ISO 11323 apply.

4 Principle

The test portion is isothermally reduced in a fixed bed, at 900 °C, using a reducing gas consisting of CO and N₂, for 180 min. The degree of reduction is calculated from the oxygen mass loss after 180 min.

1) Under revision to incorporate ISO 10836, *Iron ores — Method of sampling and sample preparation for physical testing*.

5 Sampling, sample preparation and preparation of test portions

5.1 Sampling and sample preparation

Sampling of a lot and preparation of a test sample shall be in accordance with ISO 3082.

The size range for pellets shall be $-12,5 \text{ mm} +10,0 \text{ mm}$.

The size range for sinters and lump ores shall be $-20,0 \text{ mm} +18,0 \text{ mm}$.

A test sample of at least 2,5 kg, on a dry basis, of the sized material shall be obtained.

Oven-dry the test sample to constant mass at $105 \text{ }^\circ\text{C} \pm 5 \text{ }^\circ\text{C}$ and cool it to room temperature before preparation of the test portions.

NOTE Constant mass is achieved when the difference in mass between two subsequent measurements becomes less than 0,05 % of the initial mass of the test sample.

5.2 Preparation of test portions

Collect each test portion by taking ore particles at random.

NOTE Manual methods of division recommended in ISO 3082, such as riffing, can be applied to obtain the test portions.

At least 5 test portions, each of approximately 500 g mass (\pm the mass of 1 particle) shall be prepared from the test sample: 4 test portions for testing and 1 for chemical analysis.

Weigh the test portions to the nearest 1 g and register the mass of each test portion on its recipient label.

6 Apparatus

6.1 General

The test apparatus shall comprise:

- a) ordinary laboratory equipment, such as an oven, hand tools, time-control device and safety equipment;
- b) a reduction-tube assembly;
- c) a furnace, equipped with a balance for permitting the mass loss of the test portion to be read at any time during the test;
- d) a system to supply the gases and regulate the flow rates;
- e) a weighing device.

Figure 1 shows an example of the test apparatus.

6.2 Reduction tube, made of non-scaling, heat-resistant metal to withstand temperatures higher than $900 \text{ }^\circ\text{C}$ and resistant to deformation. The internal diameter shall be $75 \text{ mm} \pm 1 \text{ mm}$. A removable perforated plate, made of non-scaling, heat-resistant metal to withstand temperatures higher than $900 \text{ }^\circ\text{C}$, shall be mounted in the reduction tube to support the test portion and to ensure uniform gas flow through it. The perforated plate shall be 4 mm thick, with its diameter 1 mm less than the tube internal diameter. The holes in the plate shall be 2 mm to 3 mm in diameter at a pitch center distance of 4 mm to 5 mm.

Figure 2 shows an example of a reduction tube.

6.3 Furnace, having a heating capacity and temperature control able to maintain the entire test portion, as well as the gas entering the bed, at $900\text{ °C} \pm 10\text{ °C}$.

6.4 Balance, capable of weighing the reduction-tube assembly, including the test portion, to an accuracy of 0,5 g. The balance shall have an appropriate device to suspend or support the reduction-tube assembly.

6.5 Gas-supply system, capable of supplying the gases and regulating gas flow rates. It shall be ensured that a frictionless connection between the gas-supply system and the reduction tube does not affect the weight-loss determination during reduction.

6.6 Weighing device, capable of weighing the test portion to an accuracy of 1 g.

7 Test conditions

7.1 General

Volumes and flow rates of gases are as measured at a reference temperature of 0 °C and at a reference atmospheric pressure of 101,325 kPa (1,013 25 bar).

7.2 Reducing gas

7.2.1 Composition

The reducing gas shall consist of:

CO $30,0\% \pm 1,0\%$ (volume fraction)

N₂ $70,0\% \pm 1,0\%$ (volume fraction)

7.2.2 Purity

Impurities in the reducing gas shall not exceed:

H₂ 0,2 % (volume fraction)

CO₂ 0,2 % (volume fraction)

O₂ 0,1 % (volume fraction)

H₂O 0,2 % (volume fraction)

7.2.3 Flow rate

The flow rate of the reducing gas, during the entire reducing period, shall be maintained at $15\text{ L/min} \pm 0,5\text{ L/min}$.

7.3 Heating and cooling gas

Nitrogen (N₂) shall be used as the heating and cooling gas. Impurities shall not exceed 0,1 % (volume fraction).

The flow rate of N₂ shall be maintained at 5 L/min until the test portion reaches 900 °C , and at 15 L/min during the temperature-equilibration period.

7.4 Temperature of the test portion

The temperature of the entire test portion shall be maintained at $900\text{ °C} \pm 10\text{ °C}$ during the entire reducing period and, as such, the reducing gas shall be preheated before entering the test portion.

8 Procedure

8.1 Number of determinations for the test

Carry out the test as many times as required by the procedure in Annex A.

8.2 Chemical analysis

Take, at random, one of the test portions prepared in 5.2 and use it for the determination of the iron(II) oxide content (w_1) in accordance with ISO 9035 and the total iron content (w_2) in accordance with ISO 2597-1 or ISO 9507.

8.3 Reduction

Take, at random, one test portion prepared in 5.2 and record its mass (m_0). Place it in the reduction tube (6.2) and level its surface.

Close the top of the reduction tube. Connect the thermocouple, ensuring that its tip is in the centre of the test portion.

Insert the reduction tube into the furnace (6.3) and suspend or support it centrally from the balance (6.4) ensuring that there is no contact with the furnace wall or heating elements.

Connect the gas-supply system (6.5).

Pass a flow of N_2 through the test portion at a rate of at least 5 L/min and commence heating. When the temperature of the test portion approaches 900 °C , increase the flow rate to 15 L/min. While maintaining the flow of N_2 , continue heating until a constant mass of the test portion and a constant temperature of $900\text{ °C} \pm 10\text{ °C}$ for 30 min are attained.

DANGER — Carbon monoxide and the reducing gas, which contains carbon monoxide, are toxic and therefore hazardous. Testing shall be carried out in a well ventilated area or under a hood. Precautions should be taken for the safety of the operator, in accordance with the safety codes of each country.

Record the mass of the test portion (m_1) and immediately introduce the reducing gas at a flow rate of $15\text{ L/min} \pm 0,5\text{ L/min}$ to replace the N_2 . At the end of 180 min of reduction, record the mass of the test portion (m_2), turn off the power and stop the flow of the reducing gas. Introduce N_2 at a flow rate of 5 L/min for 5 min or more to purge the reducing gas from the tube.

NOTE 1 If reduction versus time curves are required, record the mass of the test portion every 10 min during the first hour and every 15 min during the last 2 h.

NOTE 2 In the case of lump ores, the temperature of the test portion should be raised to 900 °C over more than 60 min, to reduce their decrepitation.

9 Expression of results

9.1 Calculation of the final degree of reduction (R_{180})

The final degree of reduction R_{180} , expressed as a percentage by mass, is calculated from the following equation 2):

$$R_{180} = \left[\frac{m_1 - m_2}{m_0 (0,430 w_2 - 0,111 w_1)} \right] \times 10^4 \quad (1)$$

where

m_0 is the mass, in grams, of the test portion;

m_1 is the mass, in grams, of the test portion immediately before starting the reduction;

m_2 is the mass, in grams, of the test portion after 180 min of reduction;

w_1 is the iron(II) oxide content, as a percentage by mass, of the test portion prior to the test, determined in accordance with ISO 9035, calculated from the iron(II) content by multiplying it by the oxide conversion factor $\text{FeO/Fe(II)} = 1,286$;

w_2 is the total iron content, as a percentage by mass, of the test portion prior to the test, determined in accordance with ISO 2597-1 or ISO 9507.

Record the result to one decimal place.

9.2 Repeatability and acceptance of test results

Follow the procedure in Annex A, by using the repeatability value given in Table 1. The results shall be reported to one decimal place.

Table 1 — Repeatability (r)

Type of iron ore	r %, absolute
Pellets	3,0
Sinter	5,0
Lump ore	5,0

2) The derivation of the equation is given in Annex B.

10 Test report

The test report shall include the following information:

- a) a reference to this International Standard, i.e. ISO 7215:2007;
- b) all details necessary for the identification of the sample;
- c) the name and address of the test laboratory;
- d) the date of the test;
- e) the date of the test report;
- f) the signature of the person responsible for the test;
- g) details of any operation and any test conditions not specified in this International Standard or regarded as optional, as well as any incident which may have had an influence on the results;
- h) the final degree of reduction R_{180} ;
- i) the total iron and iron(II) contents of the test portion before reduction.

11 Verification

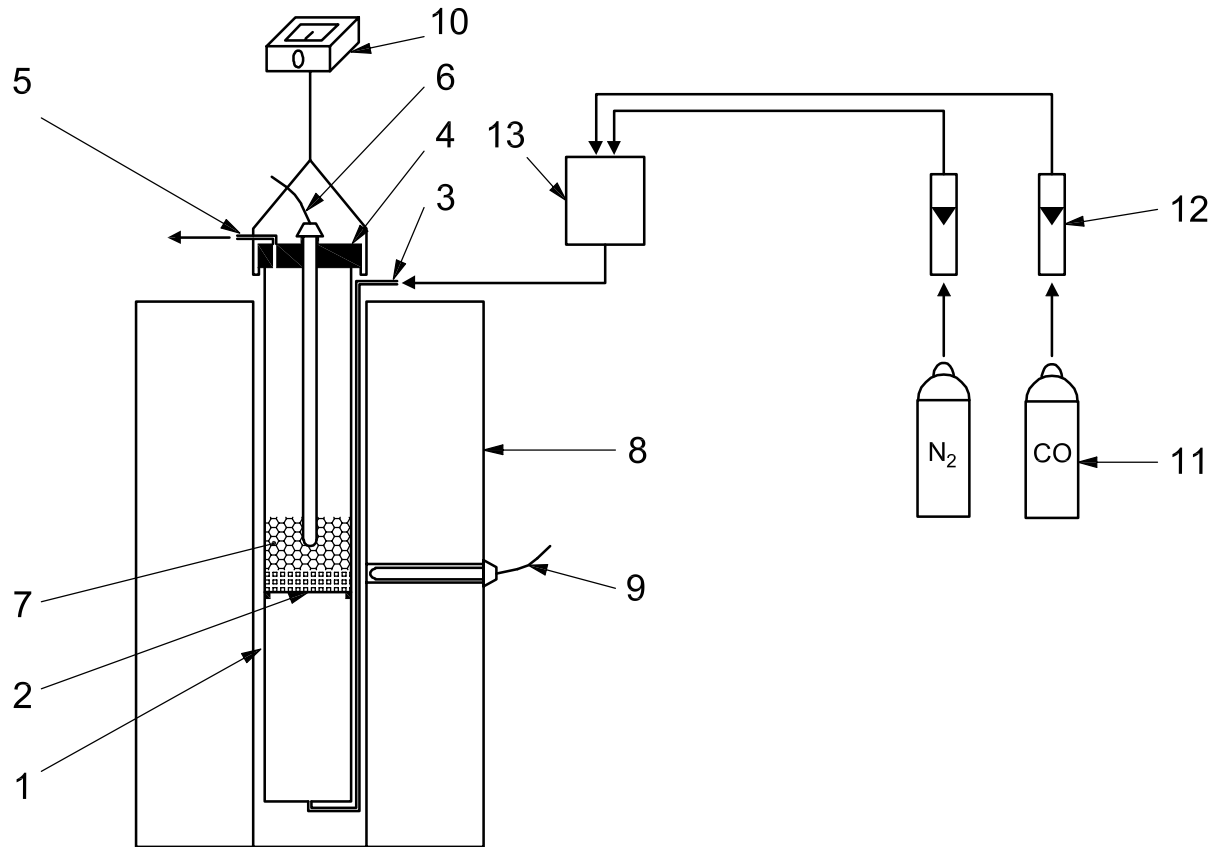
Regular checking of the apparatus is essential to ensure test result reliability. The frequency of checking is a matter for each laboratory to determine.

The conditions of the following items shall be checked:

- weighing device;
- reduction tube;
- temperature control and measurement devices;
- balance;
- gas flow meters;
- purity of gases;
- recording system;
- time-control device.

It is recommended that internal reference material be prepared and used periodically to check test repeatability.

Appropriate records of verification activities shall be maintained.



Key

Reduction tube

- 1 reduction-tube wall
- 2 perforated plate
- 3 gas inlet
- 4 lid
- 5 gas outlet
- 6 thermocouple for measuring the reduction temperature
- 7 test portion

Furnace

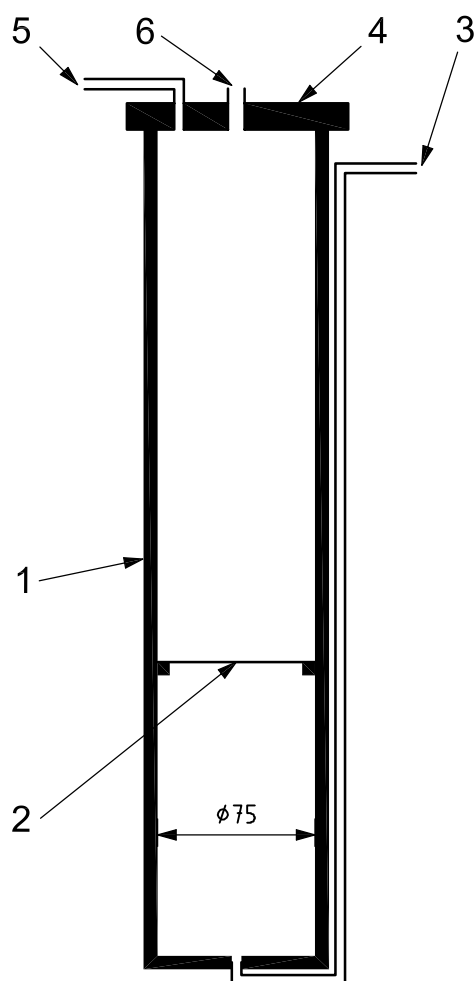
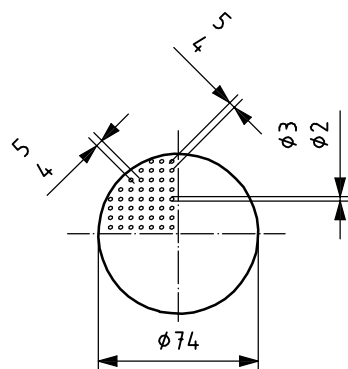
- 8 electrically heated furnace
- 9 thermocouple for temperature regulation of furnace

10 balance

Gas-supply system

- 11 gas cylinders
- 12 gas flow meters
- 13 mixing vessel

Figure 1 — Example of test apparatus (schematic diagram)



Key

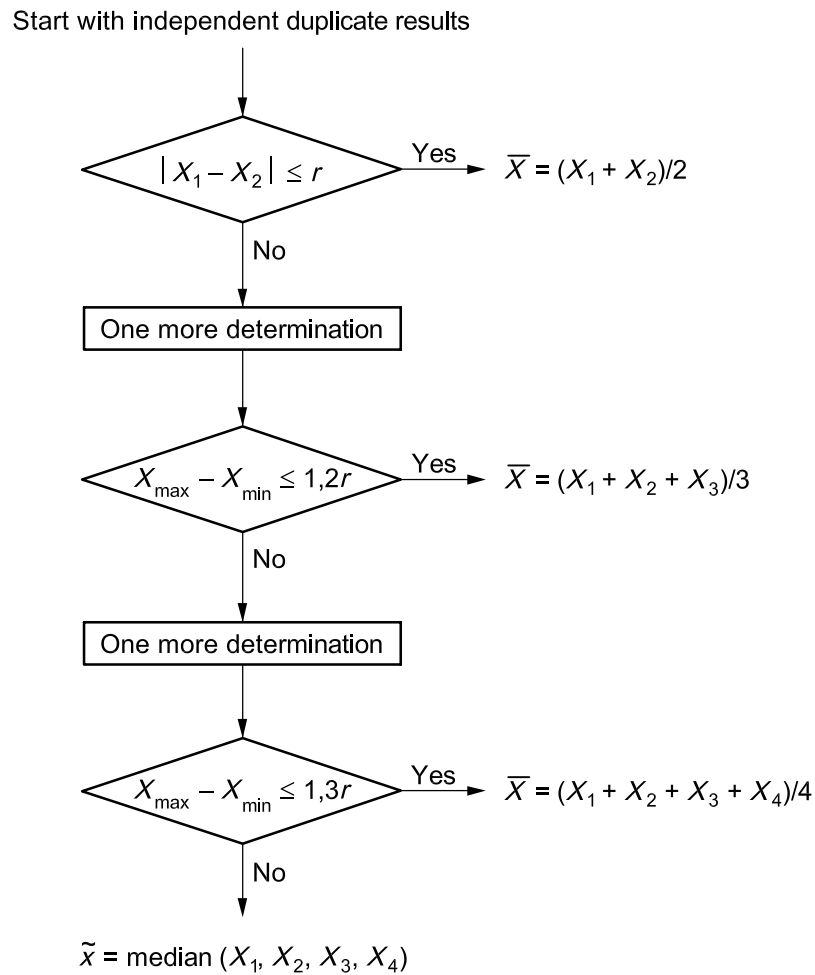
- 1 reduction-tube wall
- 2 perforated plate
- 3 opening for gas inlet
- 4 lid
- 5 opening for gas outlet
- 6 opening for thermocouple insertion

NOTE Dimensions not specified in the apparatus clause are shown for information only.

Figure 2 — Example of reduction tube (schematic diagram)

Annex A (normative)

Flowsheet of the procedure for the acceptance of test results



r : see Table 1

Annex B (informative)

Derivation of the equation for final degree of reduction

B.1 Basic equation

The equation for R_f given in 9.1 is derived from the basic equation:

$$R_f = \frac{m_f}{m_3} \times 100 \quad (\text{B.1})$$

where

m_f is the mass loss, in grams, of oxygen during 180 min of reduction;

m_3 is the mass, in grams, of oxygen combined with iron before reduction.

B.2 Derivation of working equation

The iron oxides contained in the sample are considered to be hematite (Fe_2O_3), magnetite (Fe_3O_4) and iron(II) oxide (FeO). The total mass of oxygen, m_3 , in Equation (B.1) can be obtained from the masses of Fe_2O_3 and FeO in the test sample before reduction. Therefore, m_3 , is given by Equation (B.2), after the total iron content, w_2 , and the iron(II) oxide content, w_1 , of the test sample have been determined according to the relevant International Standards.

$$\begin{aligned} m_3 &= m_4 + m_5 \\ &= m_0 \left(w_3 \frac{3A_{\text{O}}}{2A_{\text{Fe}}} + w_1 \frac{A_{\text{O}}}{M} \right) \times \frac{1}{100} \end{aligned} \quad (\text{B.2})$$

where

m_4 is the mass, in grams, of oxygen in Fe_2O_3 ;

m_5 is the mass, in grams, of oxygen in FeO ;

m_0 and w_1 have the same meanings as in 9.1;

w_3 is the iron content, as a percentage by mass, in Fe_2O_3 ;

A_{O} is the relative atomic mass of oxygen, 16,00;

A_{Fe} is the relative atomic mass of iron, 55,85;

M is the relative molecular mass of iron(II) oxide, 71,85.

Noting that

$$m_f = m_1 - m_2$$

$$w_3 = w_2 - \frac{A_{Fe}}{M} w_1$$

where m_1 , m_2 , w_1 and w_2 have the same meanings as in 9.1, and substituting m_3 from Equation (B.2) into Equation (B.1), the final degree of reduction, R_f , expressed as a percentage, is given by Equation (B.3):

$$\begin{aligned}
 R_f &= \frac{(m_1 - m_2) \times 100}{m_0 \left[\left(w_2 - \frac{A_{Fe}}{M} w_1 \right) \frac{3A_O}{2A_{Fe}} + \frac{A_O}{M} w_1 \right] \times \frac{1}{100}} & (B.3) \\
 &= \left\{ \frac{m_1 - m_2}{m_0 \left[\left(w_2 - \frac{55,85}{71,85} w_1 \right) \frac{48,00}{111,70} + \frac{16,00}{71,85} w_1 \right]} \right\} \times 10^4 \\
 &= \left[\frac{m_1 - m_2}{m_0 (0,430w_2 - 0,111w_1)} \right] \times 10^4
 \end{aligned}$$

ICS 73.060.10

Price based on 11 pages