

---

---

**Indexable hard material inserts with  
rounded corners, with partly cylindrical  
fixing hole — Dimensions**

*Plaquettes amovibles en matériaux durs avec arrondi de pointe et trou  
de fixation partiellement cylindrique — Dimensions*





**COPYRIGHT PROTECTED DOCUMENT**

© ISO 2012

All rights reserved. Unless otherwise specified, no part of this publication may be reproduced or utilized in any form or by any means, electronic or mechanical, including photocopying and microfilm, without permission in writing from either ISO at the address below or ISO's member body in the country of the requester.

ISO copyright office  
Case postale 56 • CH-1211 Geneva 20  
Tel. + 41 22 749 01 11  
Fax + 41 22 749 09 47  
E-mail [copyright@iso.org](mailto:copyright@iso.org)  
Web [www.iso.org](http://www.iso.org)

Published in Switzerland

## Foreword

ISO (the International Organization for Standardization) is a worldwide federation of national standards bodies (ISO member bodies). The work of preparing International Standards is normally carried out through ISO technical committees. Each member body interested in a subject for which a technical committee has been established has the right to be represented on that committee. International organizations, governmental and non-governmental, in liaison with ISO, also take part in the work. ISO collaborates closely with the International Electrotechnical Commission (IEC) on all matters of electrotechnical standardization.

International Standards are drafted in accordance with the rules given in the ISO/IEC Directives, Part 2.

The main task of technical committees is to prepare International Standards. Draft International Standards adopted by the technical committees are circulated to the member bodies for voting. Publication as an International Standard requires approval by at least 75 % of the member bodies casting a vote.

Attention is drawn to the possibility that some of the elements of this document may be the subject of patent rights. ISO shall not be held responsible for identifying any or all such patent rights.

ISO 6987 was prepared by Technical Committee ISO/TC 29, *Small tools*, Subcommittee SC 9, *Tools with cutting edges made of hard cutting materials*.

This second edition cancels and replaces the first edition (ISO 6987:1998), which has been technically revised.



# Indexable hard material inserts with rounded corners, with partly cylindrical fixing hole — Dimensions

## 1 Scope

This International Standard specifies the dimensions of hard material inserts with rounded corners and with a partly cylindrical fixing hole. These inserts are primarily intended to be mounted on turning and boring tools using a countersunk head screw or any other fixing element, such as a pin lock.

## 2 Normative references

The following referenced documents are indispensable for the application of this document. For dated references, only the edition cited applies. For undated references, the latest edition of the referenced document (including any amendments) applies.

ISO 513, *Classification and application of hard cutting materials for metal removal with defined cutting edges — Designation of the main groups and groups of application*

ISO 1832, *Indexable inserts for cutting tools — Designation*

## 3 Types of inserts

The types of indexable hard material insert specified in this International Standard are the following:

- TC: triangular inserts, with 7° normal clearance;
- TP: triangular inserts, with 11° normal clearance;
- SC: square inserts, with 7° normal clearance;
- SP: square inserts, with 11° normal clearance;
- CC: rhombic inserts, with 7° normal clearance and 80° included angle;
- CP: rhombic inserts, with 11° normal clearance and 80° included angle;
- DC: rhombic inserts, with 7° normal clearance and 55° included angle;
- VB: rhombic inserts, with 5° normal clearance and 35° included angle;
- VC: rhombic inserts, with 7° normal clearance and 35° included angle;
- RC: round inserts, with 7° normal clearance;
- RP: round inserts, with 11° normal clearance;
- WC: hexagonal (trigon) inserts, with 7° normal clearance and 80° included angle.

Inserts dealt with in this International Standard are standardized with chip breakers on the face (designated by the letter T) and without chip breakers (designated by the letter W).

Neither the shape nor the dimensions of chip breakers are standardized. Thus, if necessary, special features shall be explained with a diagram or additional specifications.

Tables C.1 to C.4 give the range of sizes for these inserts.

## 4 Interchangeability

### 4.1 Tolerances

The indexable hard material inserts which are the subject of this International Standard are provided in tolerance class M and for VC-shape inserts also in tolerance class G in accordance with ISO 1832.

The values of tolerance class G are in accordance with ISO 1832 and the values of tolerance class M are given in Annex A.

Other tolerances are included in Table 1 for hole dimensions and in Tables 3 to 12 for insert dimensions.

### 4.2 Thickness, $s$ , of inserts with chip breakers

The thickness,  $s$ , of inserts with chip breakers is defined as the distance between the cutting edge at the corner and the supporting surface of the insert; see Figure 1.

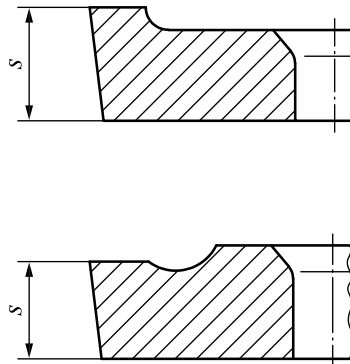


Figure 1 — Thickness of inserts with chip breakers

### 4.3 Fixing hole

In order to guarantee interchangeability when mounting the insert by a countersunk head screw having a head taper angle between 40° and 60°, the form of the hole is partly cylindrical and its dimensions are related to the diameter of the inscribed circle of the insert. Figure 2 and Table 1 give the elements of definition of the fixing hole.

The position of point P is given by diameter  $d_2$  (see Table 1), the distance  $t$ , measured from the cutting edge at the corner and dimension  $c$ , measured from the upper face.

The ranges of dimensions  $t$  and  $c$  are as follows:

$$0,05 d_1 \leq t \leq 0,3 d_1$$

and

$$0,15 d_1 \leq c \leq 0,3 d_1$$

These dimensions take into account three cases: indexable inserts with upper faces below the cutting edges [see Figure 2 a)]; with upper faces on the same level as the cutting edges [see Figure 2 b)]; with upper faces above the cutting edges [see Figure 2 c)].

The dimensions of  $t$  and  $c$  shall be satisfied in all three cases.

The diameter,  $d_1$ , of the cylindrical part of the hole is given in Table 1.



### 5.2 Marking

The following symbol, at least, shall be marked on the insert itself (except when this is difficult to carry out on small inserts):

- symbol of the group of application, or
- commercial designation of the hard material grade, or
- both, if possible, on large inserts.

### 6 Measurement

Annex B indicates the methods of measuring the dimension *m* of the indexable inserts covered by this International Standard.

### 7 Recommended dimensions

The choice of the more common dimensions is restricted to the values given in Tables 3 to 12. It is strongly recommended that these standard inserts be used wherever possible (first preference). When other inserts are required, their dimensions shall be selected from the non-shaded areas of Tables C.1 to C.4 (second preference). Inserts having dimensions given in the shaded areas of this table are not recommended.

NOTE The *m* dimensions are calculated using the exact values of the corner radius, *r<sub>ε</sub>*, given in Table 2, rounded to the third decimal place.

Table 2 — Exact values of *r<sub>ε</sub>*

Designation of <i>r<sub>ε</sub></i>	02	04	08	12	16	20	24	32
Exact value of <i>r<sub>ε</sub></i> , mm	0,203 2 <sup>a</sup>	0,397	0,794	1,191	1,588	1,984	2,381	3,175

<sup>a</sup> Rounded to the fourth decimal place.

#### 7.1 Triangular inserts — TC

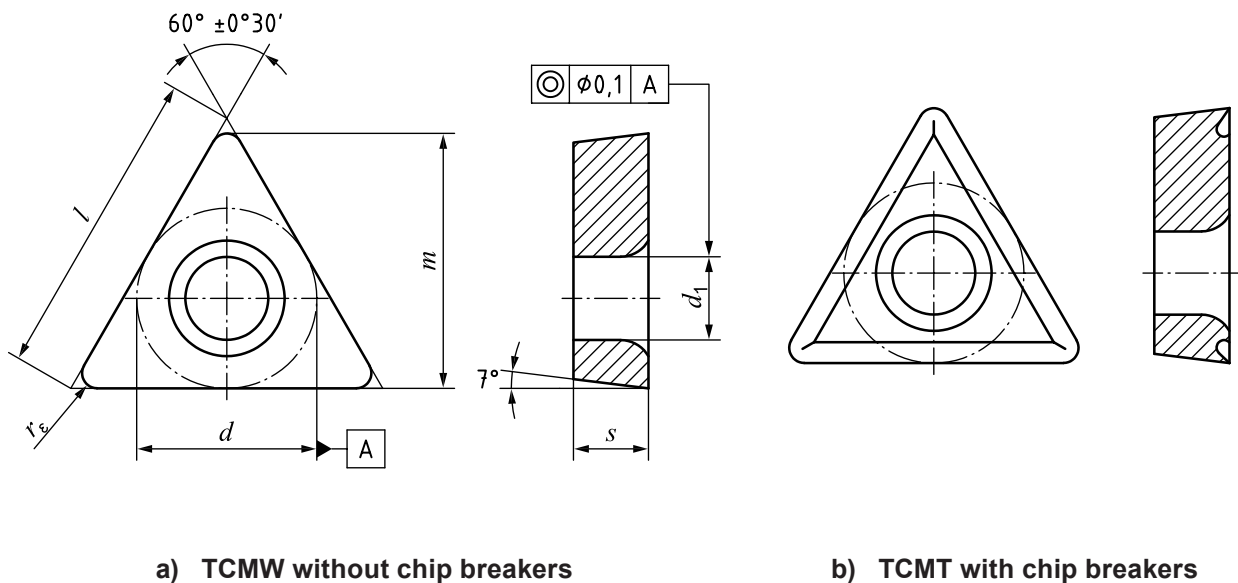


Figure 3 — Triangular inserts — TC



Table 3 — Dimensions of triangular inserts — TC

Dimensions in millimetres

Insert		$l$ $\approx$	$d^a$	$s^a$	$m^a$	$r_\epsilon$ $\pm 0,1$	$d_1$ JS13
TCMW 090204	TCMT 090204	9,6	5,56	2,38	7,943	0,4	2,5
TCMW 110202	TCMT 110202	11	6,35		9,322	0,2	2,8
TCMW 110204	TCMT 110204				9,128	0,4	
TCMW 130304	TCMT 130304	13,6	7,94	3,18	11,51	0,4	3,4
TCMW 130308	TCMT 130308				11,113	0,8	
TCMW 16T304	TCMT 16T304	16,5	9,525	3,97	13,891	0,4	4,4
TCMW 16T308	TCMT 16T308				13,494	0,8	
TCMW 16T312	TCMT 16T312				13,097	1,2	
TCMW 220404	TCMT 220404	22	12,7	4,76	18,653	0,4	5,5
TCMW 220408	TCMT 220408				18,256	0,8	
TCMW 220412	TCMT 220412				17,859	1,2	
TCMW 220416	TCMT 220416				17,463	1,6	

<sup>a</sup> Tolerances on  $d$ ,  $s$  and  $m$  in accordance with ISO 1832. See Annex A.

7.2 Triangular inserts — TP

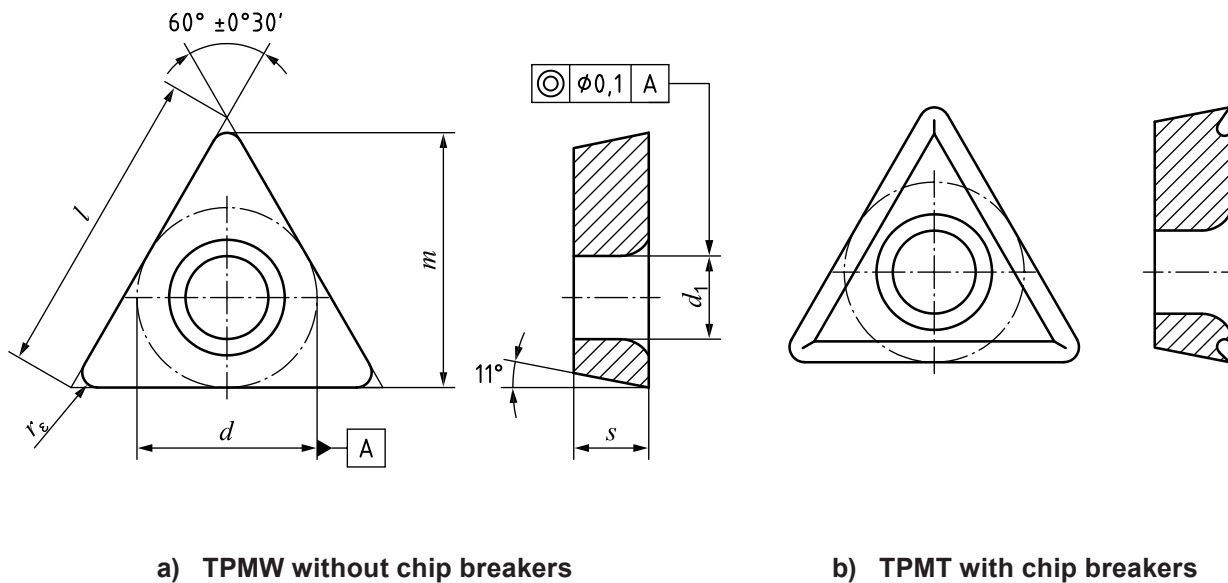


Figure 4 — Triangular inserts — TP

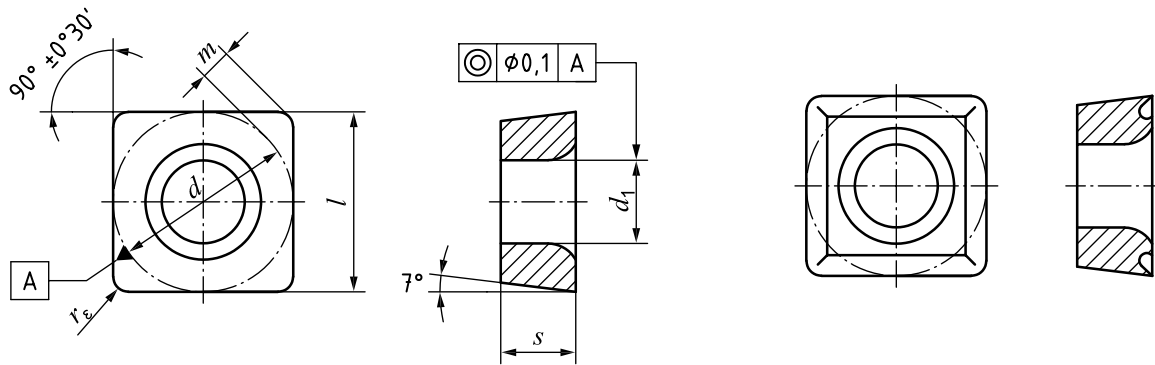
Table 4 — Dimensions of triangular inserts — TP

Dimensions in millimetres

Insert		$l$ $\approx$	$d^a$	$s^a$	$m^a$	$r_\epsilon$ $\pm 0,1$	$d_1$ JS13
TPMW 090202	TPMT 090202	9,6	5,56	2,38	8,131	0,2	2,5
TPMW 090204	TPMT 090204				7,943	0,4	
TPMW 110202	TPMT 110202	11	6,35	2,38	9,322	0,2	2,8
TPMW 110204	TPMT 110204				9,128	0,4	
TPMW 130304	TPMT 130304	13,6	7,94	3,18	11,51	0,4	3,4
TPMW 130308	TPMT 130308				11,113	0,8	
TPMW 16T304	TPMT 16T304	16,5	9,525	3,97	13,891	0,4	4,4
TPMW 16T308	TPMT 16T308				13,494	0,8	

<sup>a</sup> Tolerances on  $d$ ,  $s$  and  $m$  in accordance with ISO 1832. See Annex A.

7.3 Square inserts — SC



a) SCMW without chip breakers

b) SCMT with chip breakers

Figure 5 — Square inserts — SC

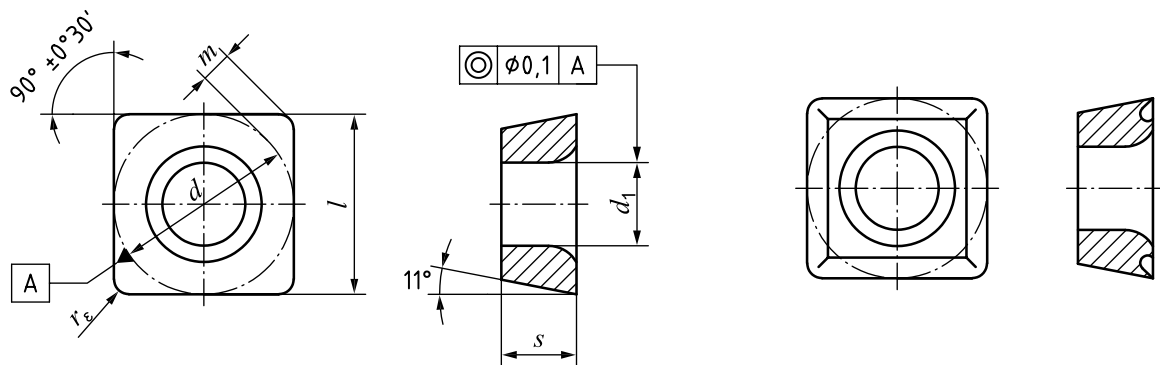
Table 5 — Dimensions of square inserts — SC

Dimensions in millimetres

Insert		$d^a$	$s^a$	$m^a$	$r_\epsilon$ $\pm 0,1$	$d_1$ JS13
SCMW 09T304	SCMT 09T304	9,525	3,97	1,808	0,4	4,4
SCMW 09T308	SCMT 09T308			1,644	0,8	
SCMW 120404	SCMT 120404	12,7	4,76	2,466	0,4	5,5
SCMW 120408	SCMT 120408			2,301	0,8	
SCMW 120412	SCMT 120412			2,137	1,2	
SCMW 150512	SCMT 150512	15,875	5,56	2,795	1,2	5,5
SCMW 150516	SCMT 150516			2,63	1,6	
SCMW 190612	SCMT 190612	19,05	6,35	3,452	1,2	6,5
SCMW 190616	SCMT 190616			3,288	1,6	
SCMW 190624	SCMT 190624			2,959	2,4	

<sup>a</sup> Tolerances on  $d$ ,  $s$  and  $m$  in accordance with ISO 1832. See Annex A.

7.4 Square inserts — SP



a) SPMW without chip breakers

b) SPMT with chip breakers

Figure 6 — Square inserts — SP

Table 6 — Dimensions of square inserts — SP

Dimensions in millimetres

Insert		$d^a$	$s^a$	$m^a$	$r_\epsilon$ $\pm 0,1$	$d_1$ JS13
SPMW 090304	SPMT 090304	9,525	3,18	1,808	0,4	4,4
SPMW 090308	SPMT 090308			1,644	0,8	
SPMW 09T304	SPMT 09T304	9,525	3,97	1,808	0,4	4,4
SPMW 09T308	SPMT 09T308			1,644	0,8	

<sup>a</sup> Tolerances on  $d$ ,  $s$  and  $m$  in accordance with ISO 1832. See Annex A.

7.5 Rhombic inserts with 80° included angle — CC

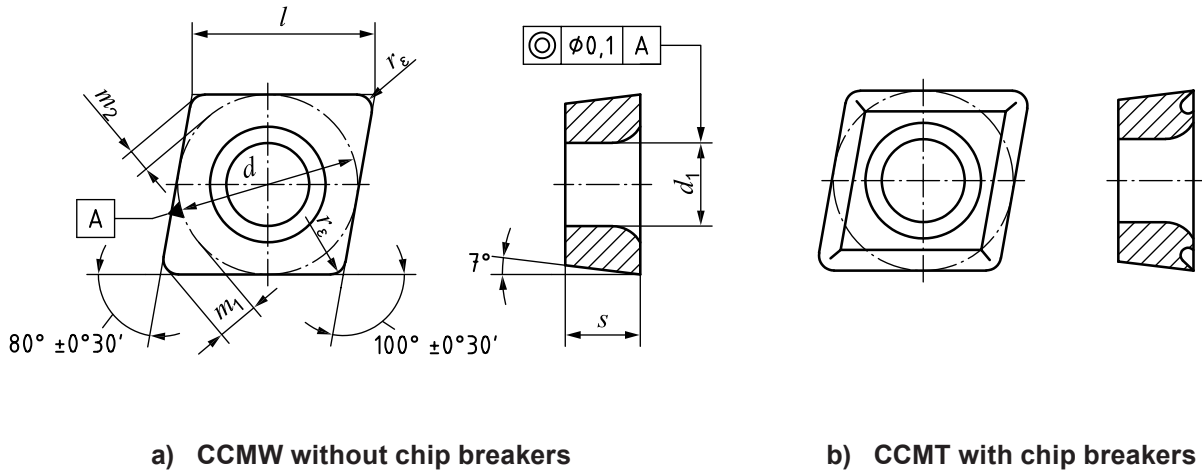


Figure 7 — Rhombic inserts with 80° included angle — CC

Table 7 — Dimensions of rhombic inserts with 80° included angle — CC

Dimensions in millimetres

Insert		$l$ ≈	$d^a$	$s^a$	$m_1^a$	$m_2^a$	$r_\epsilon$ ± 0,1	$d_1$ JS13
CCMW 060202	CCMT 060202	6,4	6,35	2,38	1,652	0,908	0,2	2,8
CCMW 060204	CCMT 060204				1,544	0,848	0,4	
CCMW 080304	CCMT 080304	8,1	7,94	3,18	1,986	1,091	0,4	3,4
CCMW 080308	CCMT 080308				1,765	0,97	0,8	
CCMW 09T304	CCMT 09T304	9,7	9,525	3,97	2,426	1,333	0,4	4,4
CCMW 09T308	CCMT 09T308				2,206	1,212	0,8	
CCMW 120404	CCMT 120404	12,9	12,7	4,76	3,308	1,818	0,4	5,5
CCMW 120408	CCMT 120408				3,088	1,697	0,8	
CCMW 120412	CCMT 120412				2,867	1,576	1,2	
CCMW 160512	CCMT 160512	16,1	15,875	5,56	3,749	2,061	1,2	5,5
CCMW 160516	CCMT 160516				3,529	1,939	1,6	
CCMW 190612	CCMT 190512	19,3	19,05	6,35	4,632	2,545	1,2	6,5
CCMW 190616	CCMT 190616				4,411	2,424	1,6	
CCMW 190624	CCMT 190624				3,97	2,182	2,4	

<sup>a</sup> Tolerances on  $d$ ,  $s$ ,  $m_1$  and  $m_2$  in accordance with ISO 1832. See Annex A.

7.6 Rhombic inserts with 80° included angle — CP

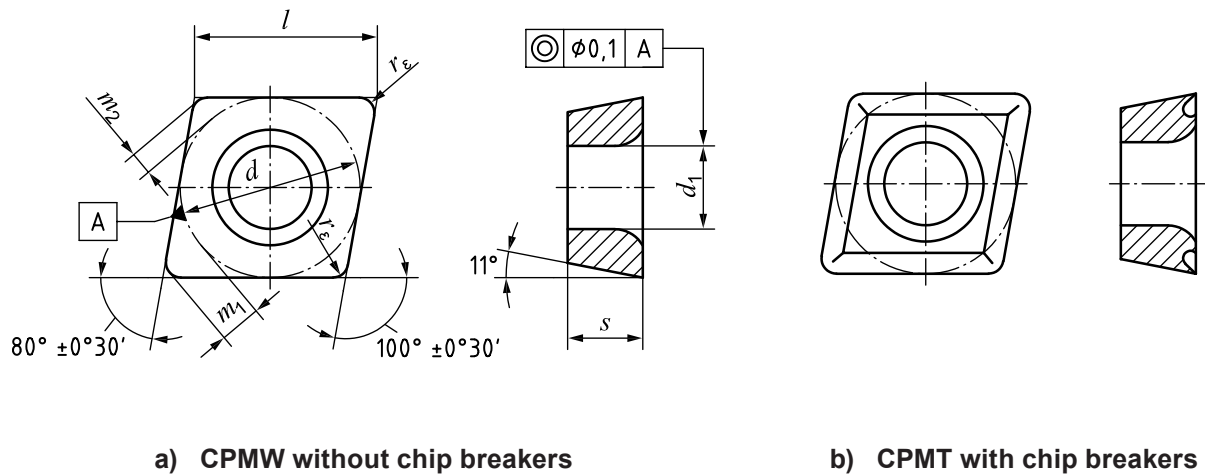


Figure 8 — Rhombic inserts with 80° included angle — CP

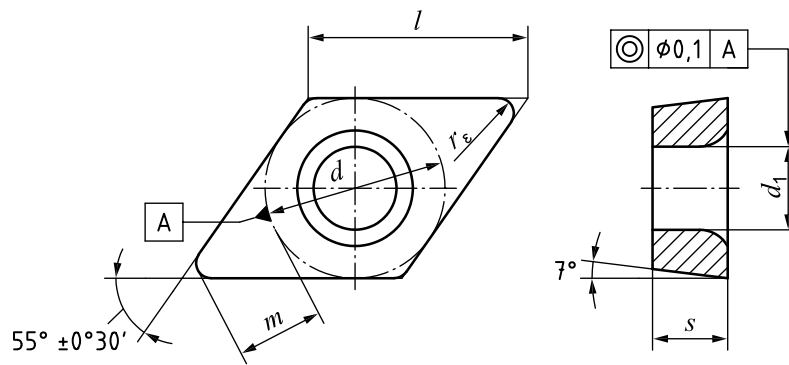
Table 8 — Dimensions of rhombic inserts with 80° included angle — CP

Dimensions in millimetres

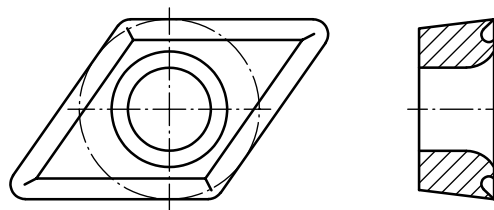
Insert		$l$ ≈	$d^a$	$s^a$	$m_1^a$	$m_2^a$	$r_\epsilon$ ± 0,1	$d_1$ JS13
CPMW 04T102	CPMT 04T102	4,8	4,76	1,98	1,21	0,665	0,2	2,15
CPMW 04T104	CPMT 04T104				1,102	0,606	0,4	
CPMW 050202	CPMT 050202	5,6	5,56	2,38	1,432	0,787	0,2	2,5
CPMW 050204	CPMT 050204				1,324	0,728	0,4	
CPMW 060202	CPMT 060202	6,4	6,35	2,38	1,652	0,908	0,2	2,8
CPMW 060204	CPMT 060204				1,544	0,848	0,4	
CPMW 080304	CPMT 080304	8,1	7,94	3,18	1,986	1,091	0,4	3,4
CPMW 080308	CPMT 080308				1,765	0,97	0,8	
CPMW 090304	CPMT 090304	9,7	9,525	3,18	2,426	1,333	0,4	4,4
CPMW 090308	CPMT 090308				2,206	1,212	0,8	
CPMW 09T304	CPMT 09T304	9,7	9,525	3,97	2,426	1,333	0,4	4,4
CPMW 09T308	CPMT 09T308				2,206	1,212	0,8	

<sup>a</sup> Tolerances on  $d$ ,  $s$ ,  $m_1$  and  $m_2$  in accordance with ISO 1832. See Annex A.

7.7 Rhombic inserts with 55° included angle — DC



a) DCMW without chip breakers



b) DCMT with chip breakers

Figure 9 — Rhombic inserts with 55° included angle — DC

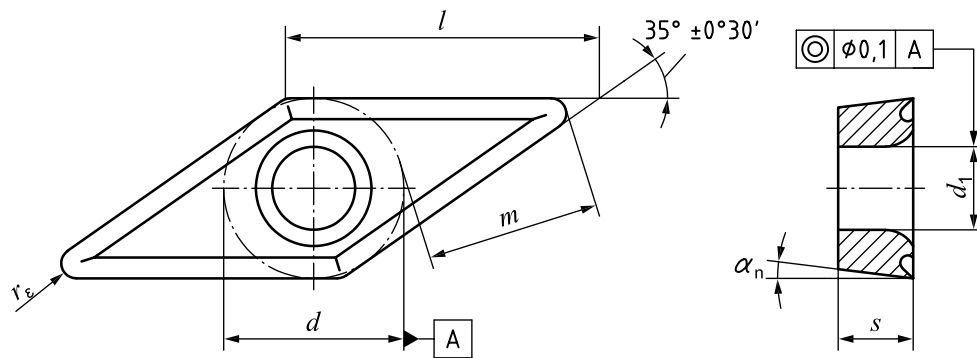
Table 9 — Dimensions of rhombic inserts with 55° included angle — DC

Dimensions in millimetres

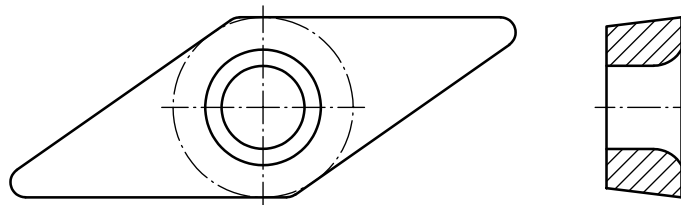
Insert		$l$ ≈	$d^a$	$s^a$	$m^a$	$r_\epsilon$ ± 0,1	$d_1$ JS13
DCMW 070202	DCMT 070202	7,75	6,35	2,38	3,464	0,2	2,8
DCMW 070204	DCMT 070204				3,238	0,4	
DCMW 11T304	DCMT 11T304	11,6	9,525	3,97	5,089	0,4	4,4
DCMW 11T308	DCMT 11T308				4,626	0,8	
DCMW 11T312	DCMT 11T312				4,164	1,2	
DCMW 150404	DCMT 150404	15,5	12,7	4,76	6,939	0,4	5,5
DCMW 150408	DCMT 150408				6,477	0,8	
DCMW 150412	DCMT 150412				6,014	1,2	
DCMW 150416	DCMT 150416				5,552	1,6	

<sup>a</sup> Tolerances on  $d$ ,  $s$ , and  $m$  in accordance with ISO 1832. See Annex A.

7.8 Rhombic inserts with 35° included angle — VB and VC



a) With chip breakers — VBMT, VCGT, VCMT



b) Without chip breakers — VBMW, VCGW, VCMW

Figure 10 — Rhombic inserts with 35° included angle — VB and VC

Table 10 — Dimensions of rhombic inserts with 35° included angle — VB and VC

Dimensions in millimetres

Insert		$l$ ≈	$d^a$	$s^a$	$m^a$	$r_\epsilon$ ± 0,1	$d_1$ JS13	$\alpha_N$ ± 1°
<b>VBMW 110302</b>	<b>VBMT 110302</b>	11,1	6,35	3,18	6,911	0,2	2,8	5°
<b>VBMW 110304</b>	<b>VBMT 110304</b>				6,46	0,4		
<b>VBMW 160404</b>	<b>VBMT 160404</b>	16,6	9,525	4,76	10,152	0,4	4,4	
<b>VBMW 160408</b>	<b>VBMT 160408</b>				9,229	0,8		
<b>VBMW 160412</b>	<b>VBMT 160412</b>				8,306	1,2		
<b>VCGW 110304</b>	<b>VCGT 110304</b>	11,1	6,35	3,18	6,46	0,4	2,8	
<b>VCMW 110304</b>	<b>VCMT 110304</b>							
<b>VCGW 160404</b>	<b>VCGT 160404</b>	16,6	9,525	4,76	10,152	0,4	4,4	
<b>VCGW 160408</b>	<b>VCGT 160408</b>				9,229	0,8		
<b>VCMW 160404</b>	<b>VCMT 160404</b>				10,152	0,4		
<b>VCMW 160408</b>	<b>VCMT 160408</b>				9,229	0,8		

<sup>a</sup> Tolerances on  $d$ ,  $s$ , and  $m$  in accordance with ISO 1832. See Annex A.

7.9 Round inserts — RC

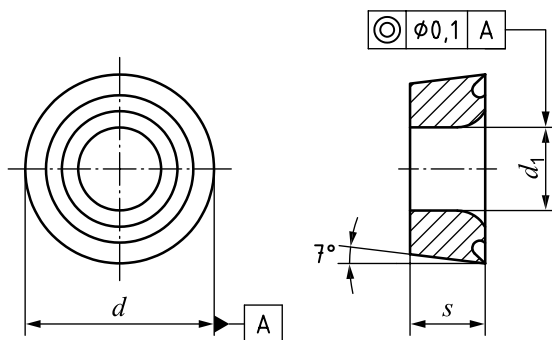


Figure 11 — RCMT with chip breakers

Table 11 — Dimensions of round inserts — RC

Dimensions in millimetres

Insert	$d^a$	$s^a$	$d_1$ JS13
RCMT 0602M0	6	2,38	2,8
RCMT 0803M0	8	3,18	3,4
RCMT 10T3M0	10	3,97	4,4
RCMT 1204M0	12	4,76	4,4
RCMT 1605M0	16	5,56	5,5
RCMT 2006M0	20	6,35	6,5
RCMT 2507M0	25	7,94	8,6
RCMT 3209M0	32	9,52	8,6

<sup>a</sup> Tolerances on  $d$  and  $s$  in accordance with ISO 1832. See Annex A.

7.10 Round inserts — RP

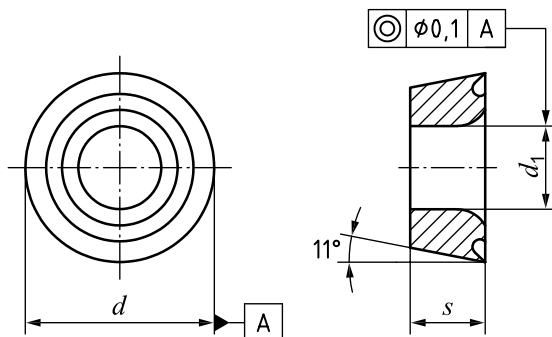


Figure 12 — RPMT with chip breakers



Table 12 — Dimensions of round inserts — RP

Dimensions in millimetres

Insert	$d^a$	$s^a$	$d_1$ JS13
RPMT 0803M0	8	3,18	3,4
RPMT 10T3M0	10	3,97	4,4

<sup>a</sup> Tolerances on  $d$  and  $s$  in accordance with ISO 1832. See Annex A.

7.11 Hexagonal (trigon) inserts with 80° included angle — WC

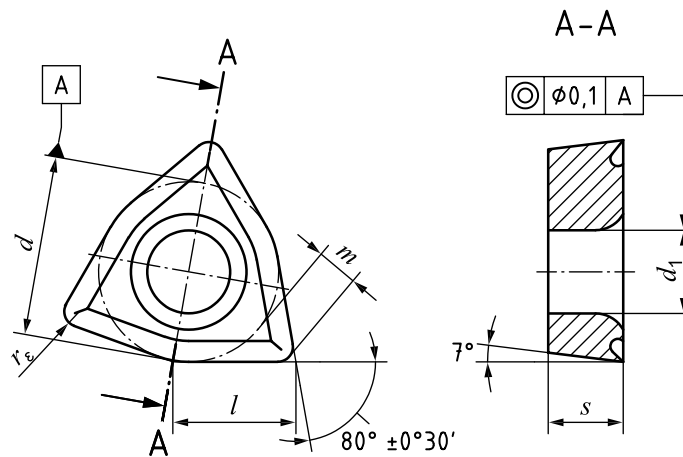


Figure 13 — WCMT with chip breakers

Table 13 — Dimensions of hexagon or trigon inserts with 80° included angle — WC

Dimensions in millimetres

Insert	$l$ ≈	$d^a$	$s^a$	$m^a$	$r_ε$ ± 0,1	$d_1$ JS13
WCMT L3T102	3,26	4,76	1,98	1,21	0,2	2,15
WCMT L3T104				1,102	0,4	
WCMT 030202	3,8	5,56	2,38	1,432	0,2	2,5
WCMT 030204				1,324	0,4	
WCMT 040202	4,34	6,35	2,38	1,651	0,2	2,8
WCMT 040204				1,544	0,4	
WCMT 050304	5,43	7,94	3,18	1,986	0,4	3,4
WCMT 050308				1,765	0,8	
WCMT 06T304	6,52	9,525	3,97	2,426	0,4	4,4
WCMT 06T308				2,205	0,8	
WCMT 080408	8,69	12,7	4,76	3,087	0,8	5,5
WCMT 080412				2,867	1,2	

<sup>a</sup> Tolerances in accordance with ISO 1832. See Annex A.

## Annex A (normative)

### Tolerances for $d$ , $m$ , $m_1$ , $m_2$ and $s$ — Extract from ISO 1832

**Table A.1 — Tolerances for  $d$ ,  $m$ ,  $m_1$ ,  $m_2$  and  $s$**

Dimensions in millimetres

Insert		Tolerance class M for		
Designation	$d$	$d$	$m$ , $m_1$ and $m_2$	$s$
CPM. T1..	4,76	$\pm 0,05$	$\pm 0,08$	$\pm 0,05^a$
CPM. 04..				$\pm 0,13$
WCM. L3..				
TPM. 02..	5,56	$\pm 0,05$	$\pm 0,08$	$\pm 0,05^a$
CPM. 02..				
RPM. 02..			—	
TPM. 09..			$\pm 0,08$	$\pm 0,13$
TCM. 09..				
CPM. 05..				
WCM. 03..				
RCM. 06..	6	$\pm 0,05$	—	
RPM. 06..				
TPM. 11..	6,35	$\pm 0,05$	$\pm 0,08$	
TCM. 11..				
CPM. 06..				
CCM. 06..				
WCM. 04..			$\pm 0,11$	
DCM. 07..				
VBM. 11..				$\pm 0,16$
VCM. 11..				
TPM. 13..	7,94	$\pm 0,05$	$\pm 0,08$	
TCM. 13..				
CPM. 08..				
CCM. 08..				
WCM. 05..				
RPM. 07..			—	
VCM. 13..			$\pm 0,16$	
RPM. 08..			8	$\pm 0,05$
RCM. 08..				

Table A.1 (continued)

Insert		Tolerance class M for				
Designation	$d$	$d$	$m, m_1$ and $m_2$	$s$		
TPM. 16..	9,525	$\pm 0,05$	$\pm 0,08$	$\pm 0,13$		
TCM. 16..						
SPM. 09..						
SCM. 09..						
CPM. 09..						
CCM. 09..						
WCM. 06..						
DCM. 11..					$\pm 0,11$	
RPM. 09..					—	
VBM. 16..					$\pm 0,16$	
VCM. 16..						
RPM. 10..	10	$\pm 0,05$	—			
RCM. 10..						
RPM. 12..M0	12	$\pm 0,08$	—			
RCM. 12..						
TCM. 22..	12,7	$\pm 0,08$	$\pm 0,13$			
SPM. 12..						
SCM. 12..						
CPM. 12..						
CCM. 12..						
WCM. 08..						
DCM. 15..					$\pm 0,15$	
RPM. 12..00					—	
SCM. 15..	15,875	$\pm 0,1$	$\pm 0,15$			
CCM. 16..						
RCM. 16..					16	—
SCM. 19..					19,05	$\pm 0,15$
CCM. 19..						
RCM. 20..					20	—
RCM. 25..					25	$\pm 0,13$
RCM. 32..	32		—			
<sup>a</sup> As an exception to ISO 1832.						

## Annex B (normative)

### Methods of measurement of dimension $m$

#### B.1 Triangular inserts

Dimension  $m$  is related to the side opposite the corner that is being measured. The insert is placed on a surface plate, as shown in Figure B.1, and checked by means of a dial gauge zeroed with the aid of a gauge block corresponding to the dimension  $m$ . The dial gauge then gives a direct reading of the error when applied to the inserts being measured.

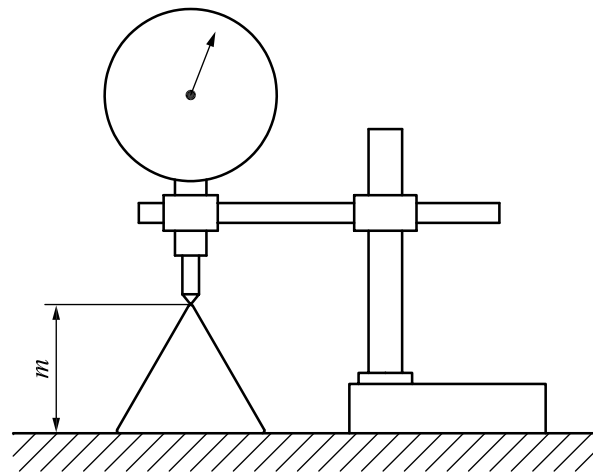


Figure B.1 — Triangular insert

#### B.2 Square inserts

Dimension  $m$  shall be checked with reference to the diameter,  $d$ , of a precision roller, where  $d$  corresponds to the nominal diameter of the inscribed circle of the insert. The insert shall be mounted on a  $90^\circ$  vee-block, as shown in Figure B.2, and checked by means of a dial gauge which shall be zeroed to dimension  $m$  by means of a roller with the aid of a gauge block. The dial gauge then gives a direct reading of the error when applied to the inserts being measured. The roller has a tolerance of  $\pm 0,002$  mm.

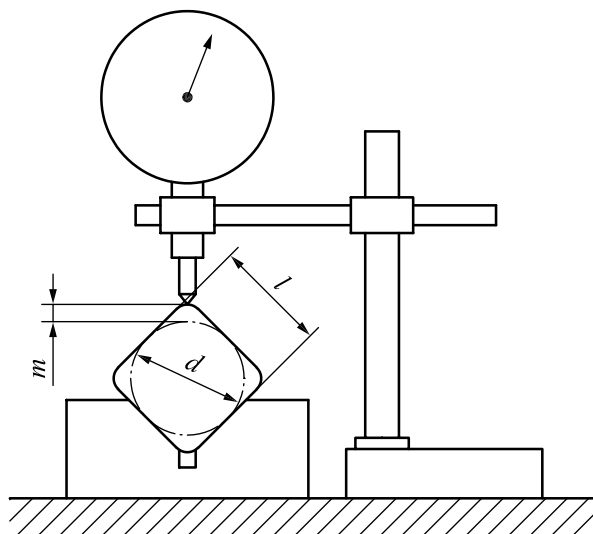


Figure B.2 — Square insert

### B.3 Rhombic inserts

Dimension  $m$ ,  $m_1$  or  $m_2$  shall be checked with reference to the diameter,  $d$ , of a precision roller, where  $d$  corresponds to the nominal size of the inscribed circle of the insert. The insert is mounted on a  $35^\circ$ ,  $55^\circ$ ,  $80^\circ$  or  $100^\circ$  vee-block, as shown in Figure B.3, and checked by means of a dial gauge which shall be zeroed to dimension  $m$ ,  $m_1$  or  $m_2$  by means of a roller with the aid of a gauge block. The dial gauge then gives a direct reading of the error when applied to the inserts being measured. The roller has a tolerance of  $\pm 0,002$  mm.

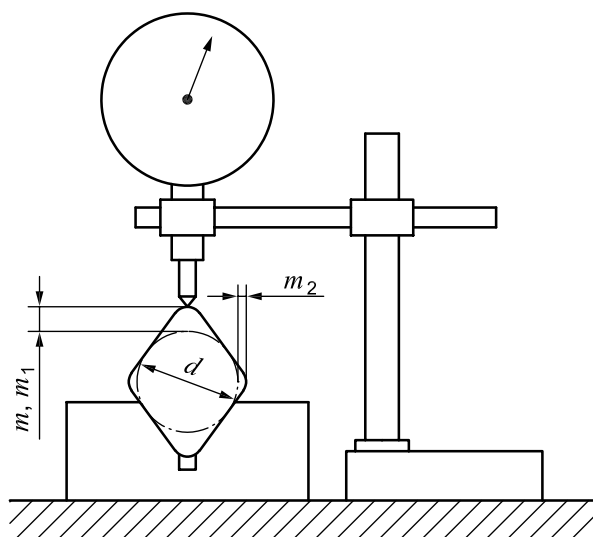


Figure B.3 — Rhombic insert

### B.4 Round inserts

The diameter,  $d$ , shall be measured with a micrometer or similar device.

## B.5 Hexagonal inserts

Dimension  $m$  shall be checked with reference to the diameter,  $d$ , of a precision roller, where  $d$  corresponds to the nominal diameter of the inscribed circle of the insert. The insert shall be placed on a plate, as shown in Figure B.4, and checked by means of a dial gauge which shall be zeroed to dimension  $m$  by means of a roller with the aid of a gauge block. The dial gauge then gives a direct reading of the error when applied to the inserts being measured. The roller has a tolerance of  $\pm 0,002$  mm.

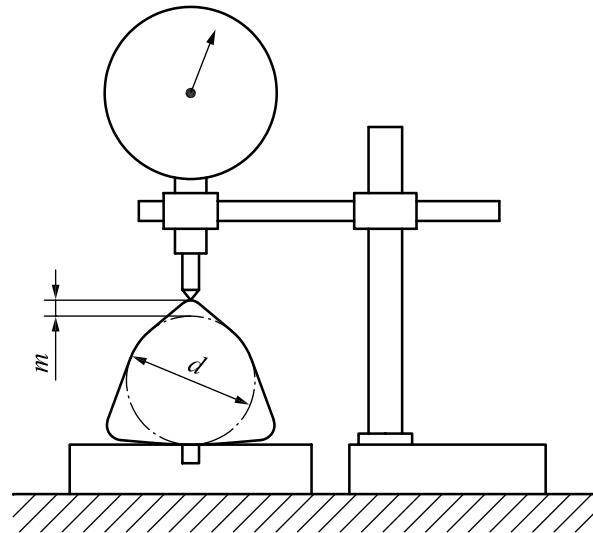


Figure B.4 — Hexagonal insert

## Annex C (normative)

### Size ranges

**Table C.1 — Range of sizes for inserts with rounded corners with partly cylindrical fixing hole and with 11° normal clearance, with shapes TPMW., TPMT., SPMW., SPMT., CPMW., CPMT., RPMW. and RPMT. covered by this International Standard**

Dimensions in millimetres

<i>d</i>	Without chip breakers (W)						With chip breakers on the face (T)							
	Designation	<i>d</i> /2	Corner radius, <i>r<sub>c</sub></i>					Designation	<i>d</i> /2	Corner radius, <i>r<sub>c</sub></i>				
			0,2	0,4	0,8	1,2	1,6			0,2	0,4	0,8	1,2	1,6
5,56	TPMW 0902		+	+			TPMT 0902		+	+				
6,35	TPMW 1102		+	+			TPMT 1102		+	+				
	TPMW 1103						TPMT 1103							
7,94	TPMW 1303			+	+		TPMT 1303			+	+			
9,525	TPMW 16T3			+	+		TPMT 16T3			+	+			
12,7	TPMW 2204						TPMT 2204							
9,525	SPMW 0903			+	+		SPMT 0903			+	+			
	SPMW 09T3			+	+		SPMT 09T3			+	+			
12,7	SPMW 1204						SPMT 1204							
4,76	CPMW 04T1		+	+			CPMT 04T1		+	+				
5,56	CPMW 0502		+	+			CPMT 0502		+	+				
6,35	CPMW 0602		+	+			CPMT 0602		+	+				
7,94	CPMW 0803			+	+		CPMT 0803			+	+			
9,525	CPMW 0903			+	+		CPMT 0903			+	+			
	CPMW 09T3			+	+		CPMT 09T3			+	+			
12,7	CPMW 1204						CPMT 1204							
7,94	RPMW 070300						RPMT 070300							
9,525	RPMW 09T300						RPMT 09T300							
12,7	RPMW 120400						RPMT 120400							
6	RPMW 0602M0						RPMT 0602M0							
8	RPMW 0803M0						RPMT 0803M0	+						
10	RPMW 10T3M0						RPMT 10T3M0	+						
12	RPMW 1204M0						RPMT 1204M0							

- +
First preference; inserts covered by this International Standard.
- Non-shaded squares: second preference; inserts not covered by this International Standard.
- Shaded squares: inserts not recommended.

**Table C.2 — Range of sizes for inserts with rounded corners with partly cylindrical fixing hole and with 7° normal clearance, with shapes TCMW.., TCMT.., SCMW.., SCMT.., CCMW.., CCMT.., DCMW.., DCMT.., RCMW.. and RCMT.. covered by this International Standard**

Dimensions in millimetres

d	Without chip breaker (W)							With chip breaker on the face (T)								
	Designation	Corner radius, r <sub>ε</sub>						Designation	Corner radius, r <sub>ε</sub>							
		d/2	0,2	0,4	0,8	1,2	1,6		2,4	d/2	0,2	0,4	0,8	1,2	1,6	2,4
5,56	TCMW 0902			+					TCMT 0902			+				
6,35	TCMW 1102		+	+					TCMT 1102		+	+				
6,35	TCMW 1103								TCMT 1103							
7,94	TCMW 1303			+	+				TCMT 1303			+	+			
9,525	TCMW 16T3			+	+	+			TCMT 16T3			+	+	+		
12,7	TCMW 2204			+	+	+	+		TCMT 2204			+	+	+	+	
9,525	SCMW 09T3			+	+				SCMT 09T3			+	+			
12,7	SCMW 1204			+	+	+			SCMT 1204			+	+	+		
15,875	SCMW 1505					+	+		SCMT 1505					+	+	+
19,05	SCMW 1906					+	+	+	SCMT 1906					+	+	+
25,4	SCMW 2507								SCMT 2507							
6,35	CCMW 0602		+	+					CCMT 0602		+	+				
7,94	CCMW 0803			+	+				CCMT 0803			+	+			
9,525	CCMW 09T3			+	+				CCMT 09T3			+	+			
12,7	CCMW 1204			+	+	+			CCMT 1204			+	+	+		
15,875	CCMW 1605					+	+		CCMT 1605					+	+	
19,05	CCMW 1906					+	+	+	CCMT 1906					+	+	+
6,35	DCMW 0702		+	+					DCMT 0702		+	+				
7,94	DCMW 0903								DCMT 0903							
9,525	DCMW 11T3			+	+	+			DCMT 11T3			+	+	+		
12,7	DCMW 1504			+	+	+	+		DCMT 1504			+	+	+	+	
15,875	DCMW 1905								DCMT 1905							
6	RCMW 0602M0								RCMT 0602M0	+						
8	RCMW 0803M0								RCMT 0803M0	+						
10	RCMW 10T3M0								RCMT 10T3M0	+						
12	RCMW 1204M0								RCMT 1204M0	+						
16	RCMW 1605M0								RCMT 1605M0	+						
20	RCMW 2006M0								RCMT 2006M0	+						
25	RCMW 2507M0								RCMT 2507M0	+						
32	RCMW 3209M0								RCMT 3209M0	+						

**+** First preference; inserts covered by this International Standard.

Non-shaded squares: second preference; inserts not covered by this International Standard.

Shaded squares: inserts not recommended.



**Table C.3 — Range of sizes for inserts with rounded corners with cylindrical fixing hole and with 7° normal clearance, with shape WCMT.., covered by this International Standard**

Dimensions in millimetres

<i>d</i>	With chip breakers on one face only (M)				
	Designation	Corner radius, $r_\epsilon$			
		0,2	0,4	0,8	1,2
4,76	WCMT L3T1	+	+		
5,56	WCMT 0302	+	+		
6,35	WCMT 0402	+	+		
7,94	WCMT 0503		+	+	
9,525	WCMT 06T3		+	+	
12,7	WCMT 0804			+	+

**Table C.4 — Range of sizes for inserts with rounded corners with partly cylindrical fixing hole and with 5° and 7° normal clearance, with shapes VBMW.., VBMT.., VCGW.., VCGT.., VCMW.. and VCMT.., covered by this International Standard**

Dimensions in millimetres

<i>d</i>	Designation	Tolerance class G				Tolerance class M			
		Corner radius, $r_\epsilon$				Corner radius, $r_\epsilon$			
		0,2	0,4	0,8	1,2	0,2	0,4	0,8	1,2
6,35	VBMW 1103, VBMT 1103					+	+		
9,525	VBMW 1604, VBMT 1604						+	+	+
6,35	VCGW 1103, VCGT 1103, VCMW 1103, VCMT 1103		+				+		
7,94	VCGW 13T3, VCGT 13T3, VCMW 13T3, VCMT 13T3								
9,525	VCGW 1604, VCGT 1604, VCMW 1604, VCMT 1604		+	+			+	+	



First preference; inserts covered by this International Standard.



Non-shaded squares: second preference; inserts not covered by this International Standard.



Shaded squares: inserts not recommended.

www.iso.org

## Annex D (informative)

### Relationship between designations in this International Standard and the ISO 13399 series

#### D.1 Relationship between designations

For relationship between designations in this International Standard and preferred symbols according to the ISO 13399 series, see Table D.1.

**Table D.1 — Relationship between designations in this International Standard and  
the ISO 13399-series**

Symbol in this International Standard (ISO 6987)	Reference in International Standard (ISO 6987)	Property name in the ISO 13399 series	Symbol in the ISO 13399 series	Reference in the ISO 13399 series
—	Clause 3	Insert shape code	SC	ISO/TS 13399-2 71CE7A9F0C79F
$d$	Tables 2, 3, 4, 5, 6, 7	Inscribed circle diameter	IC	ISO/TS 13399-2 71CE7A96D9F7D
$d_1$	Tables 2, 3, 4, 5, 6, 7	Fixing hole diameter	D1	ISO/TS 13399-2 71CE7A968C8FE
$l$	Tables 2, 3, 4, 5, 6, 7	Cutting edge length	L	ISO/TS 13399-2 71DD6C95DA49B
$m$	Tables 2, 3, 5, 6, 7	m-dimension	M	ISO/TS 13399-2 71CE7AA0972DB
$m_1$	Table 4	m-dimension	M	ISO/TS 13399-2 71CE7AA0972DB
$m_2$	Table 4	m2-dimension	M2	ISO/TS 13399-2 71CE7AA05C819
$r_\epsilon$	Tables 2, 3, 4, 5, 6, 7	Corner radius	RE	ISO/TS 13399-2 71DD6C8ACA503
$s$	Tables 2, 3, 4, 5, 6, 7	Insert thickness	S	ISO/TS 13399-2 71CE7A9F5308C

## Bibliography

- [1] ISO 883, *Indexable hardmetal (carbide) inserts with rounded corners, without fixing hole — Dimensions*
- [2] ISO 3364, *Indexable hardmetal (carbide) inserts with rounded corners, with cylindrical fixing hole — Dimensions*
- [3] ISO 3365, *Indexable hardmetal (carbide) inserts with wiper edges, without fixing hole — Dimensions*
- [4] ISO 13399 (all parts), *Cutting tool data representation and exchange*

---

---

**ICS 25.100.01**

Price based on 23 pages