

Road vehicles — Air braking systems — Identification of connections on units

1 Scope

This International Standard specifies an identification system for pipe connections on units of air braking systems. The digits designated shall be placed close to the ports on the units.

2 Field of application

This International Standard applies to motor vehicles and their trailers and may also be used for schematic diagrams of braking systems.

3 Identification

3.1 The identification code consists of a one or two digit number as follows.

3.1.1 First digit :

- 0 Suction connection
- 1 Energy inlet
- 2 Energy supply (not to atmosphere, see digit 3)
- 3 Exhaust
- 4 Pilot connection (entry into unit)
- 5 Spare
- 6 Spare
- 7 Anti-freeze liquid connection
- 8 Lubricating oil connection (for compressor)
- 9 Cooling liquid connection (for compressor)

3.1.2 Second digit :

A second digit may be added, when several similar connections are available, for example with split systems. The function represented by this second digit is left to the discretion of the vehicle manufacturer, but should start at 1 and continue uninterrupted, for example 21, 22, 23, etc. Exceptions are permitted when applying the "building block" principle.

3.2 The following codes are not allowed for free choice :

- 71 Anti-freeze inlet
- 72 Anti-freeze outlet

- 81 Lubricating oil inlet
- 82 Lubricating oil outlet
- 91 Cooling liquid inlet
- 92 Cooling liquid outlet

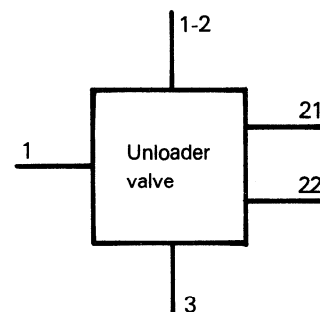
If there are a number of similar connections belonging to one unit and intended to fulfil the same function, they shall have the same designation.

A connection which can fulfil, in any one application, more than one function shall be identified by two (first) digits. These shall be separated by a dash (see example in clause 4).

A connection which can fulfil more than one function in different applications shall be identified in accordance with agreement between the manufacturer and customer (for example multiway valves).

4 Example

Unit with filling and switching connections



In this example the references signify :

- 1 Energy inlet from the compressor
- 1-2 Energy inlet using a valve for filling the air braking system, and energy supply by use of a valve as used for blowing up tyres
- 3 Connection to atmosphere (venting)
- 21 Energy supply to the energy accumulator (air reservoir)
- 22 Energy supply (switching connection).

This page intentionally left blank