

---

---

**Internal combustion engines — Piston  
rings — Expander/segment oil-control  
rings**

*Moteurs à combustion interne — Segments de piston — Segments  
racleurs régulateurs d'huile/Ressorts d'expansion*



Reference number  
ISO 6627:2011(E)

© ISO 2011



**COPYRIGHT PROTECTED DOCUMENT**

© ISO 2011

All rights reserved. Unless otherwise specified, no part of this publication may be reproduced or utilized in any form or by any means, electronic or mechanical, including photocopying and microfilm, without permission in writing from either ISO at the address below or ISO's member body in the country of the requester.

ISO copyright office  
Case postale 56 • CH-1211 Geneva 20  
Tel. + 41 22 749 01 11  
Fax + 41 22 749 09 47  
E-mail [copyright@iso.org](mailto:copyright@iso.org)  
Web [www.iso.org](http://www.iso.org)

Published in Switzerland

# Contents

Page

Foreword .....	iv
Introduction.....	v
1 Scope .....	1
2 Normative references .....	1
3 Symbols and abbreviated terms .....	1
4 Ring types and designations .....	3
4.1 Types of expander/segment oil-control rings .....	3
4.2 General features .....	4
4.3 Designation examples.....	5
5 Common features .....	5
5.1 Expander-spacer .....	5
5.2 Segment features .....	7
5.3 Expander/segment assembly .....	10
6 Dimensions .....	10
7 Materials .....	13
7.1 Expander-spacer .....	13
7.2 Segments .....	13
8 Tangential force and nominal contact pressure .....	13
8.1 Tangential force.....	13
8.2 Classes of nominal contact pressure.....	13
Bibliography.....	15

## Foreword

ISO (the International Organization for Standardization) is a worldwide federation of national standards bodies (ISO member bodies). The work of preparing International Standards is normally carried out through ISO technical committees. Each member body interested in a subject for which a technical committee has been established has the right to be represented on that committee. International organizations, governmental and non-governmental, in liaison with ISO, also take part in the work. ISO collaborates closely with the International Electrotechnical Commission (IEC) on all matters of electrotechnical standardization.

International Standards are drafted in accordance with the rules given in the ISO/IEC Directives, Part 2.

The main task of technical committees is to prepare International Standards. Draft International Standards adopted by the technical committees are circulated to the member bodies for voting. Publication as an International Standard requires approval by at least 75 % of the member bodies casting a vote.

Attention is drawn to the possibility that some of the elements of this document may be the subject of patent rights. ISO shall not be held responsible for identifying any or all such patent rights.

ISO 6627 was prepared by Technical Committee ISO/TC 22, *Road vehicles*.

This second edition cancels and replaces the first edition (ISO 6627:2000), which has been technically revised.

## Introduction

ISO 6627 is one of a series of International Standards dealing with piston rings for reciprocating internal combustion engines. Others are ISO 6621, ISO 6622, ISO 6623; ISO 6624, ISO 6625 and ISO 6626 (see Clause 2 and the Bibliography).

The common features and dimensional tables included in ISO 6627 represent a broad range of variables. In selecting a ring type, the designer will above all need to consider the particular operating conditions. Moreover, it is essential that the designer refer to the specifications and requirements of ISO 6621-3 and ISO 6621-4 before completing the selection.

.....

© ISO 2014

# Internal combustion engines — Piston rings — Expander/segment oil-control rings

## 1 Scope

This International Standard specifies the essential dimensional features of expander/segment oil-control rings, without providing a complete product description (because expander-spacer design varies from piston-ring manufacturer to piston-ring manufacturer, the interaction between the manufacturer and the client will determine specific design details).

This International Standard applies to expander/segment oil-control rings of nominal diameters ranging from 40 mm to 125 mm for reciprocating internal combustion engines for road vehicles and other applications. It also applies to piston rings for compressors working under analogous conditions.

## 2 Normative references

The following referenced documents are indispensable for the application of this document. For dated references, only the edition cited applies. For undated references, the latest edition of the referenced document (including any amendments) applies.

ISO 6621-2, *Internal combustion engines — Piston rings — Part 2: Inspection measuring principles*

ISO 6621-3, *Internal combustion engines — Piston rings — Part 3: Material specifications*

ISO 6621-4, *Internal combustion engines — Piston rings — Part 4: General specifications*

ISO 6626, *Internal combustion engines — Piston rings — Coil-spring-loaded oil control rings*

## 3 Symbols and abbreviated terms

For the purposes of this International Standard, the symbols and abbreviated terms in Table 1 apply.

**Table 1 — Symbols and abbreviated terms**

Symbol abbreviated terms	Description
$a_1$	Segment radial wall thickness
$a_8$	Spacer radial thickness
$a_9$	Expander radial thickness
$a_{11}$	Assembly radial thickness
$a_{14}$	Seating tab height
$d_1$	Nominal ring assembly diameter (nominal diameter)
$h_1$	Nominal assembly width

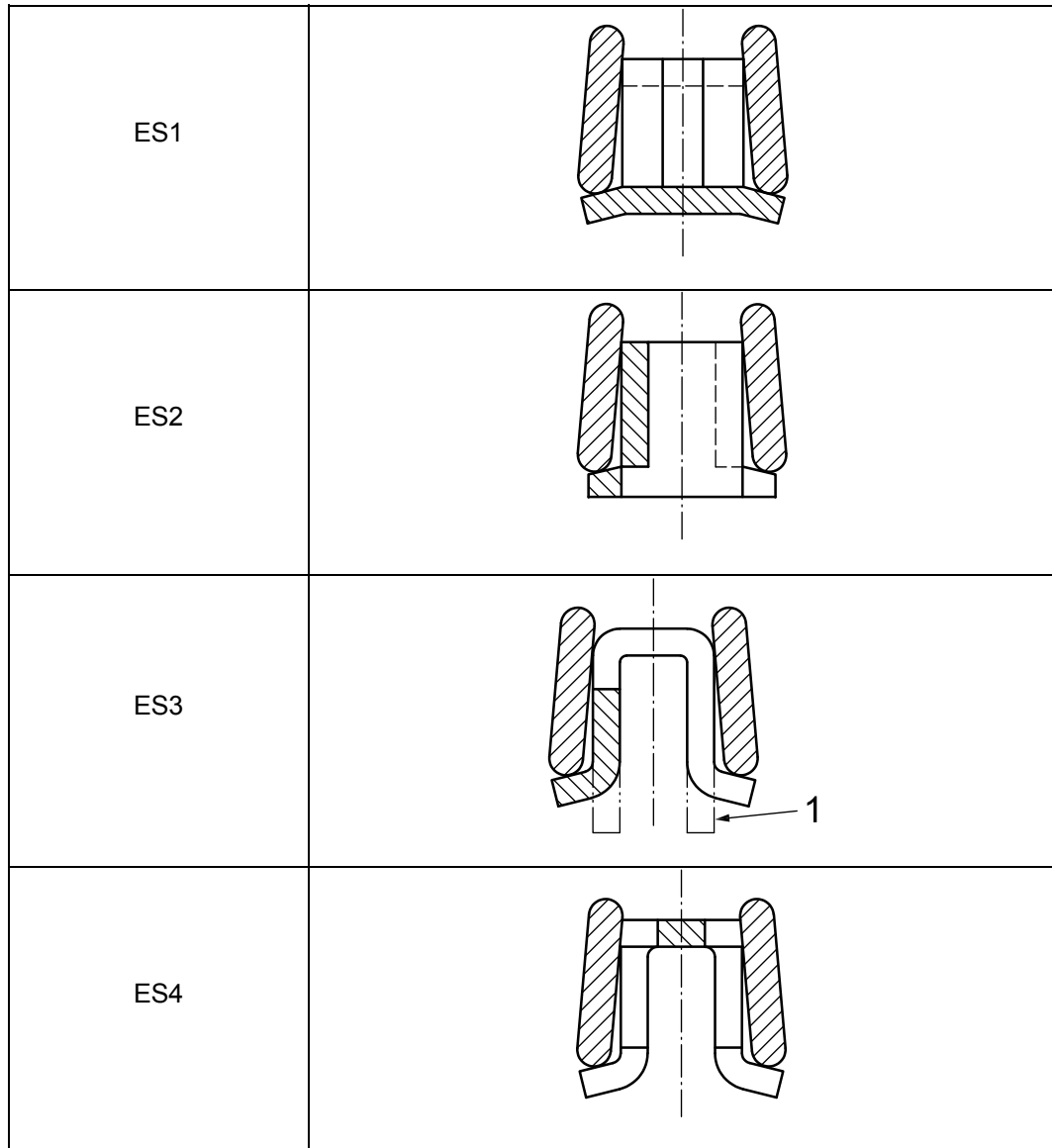
Table 1 (continued)

Symbol abbreviated terms	Description
$h_{24}$	Segment contact face width
$h_9$	Expander width
$h_{10}$	Segment width near inside diameter (ID), after coiling
$h_{11}$	Segment width near outside diameter (OD), after coiling and surface treatment or plating
$h_{12}$	Nominal segment width
$h_{13}$	Spacer width
$p_0$	Nominal contact pressure
$p_{0u}$	Unit contact pressure
$s_1$	Segment closed gap; stagger gap
$F_t$	Tangential force
$F_{tc}$	Specific tangential force
$\theta$	Tab angle
CR1...CR2	Chromium-plating thickness
LM	Piston rings with partly cylindrical machined peripheral faced
LP	Piston rings with lapped stripe over the whole circumference
ES1...ES4	Types of expander/segment oil-control rings
PNH	High nominal pressure
PNL	Low nominal pressure
PNM	Medium nominal pressure
PNR	Reduced nominal pressure
PNV	Very high nominal pressure
TT00...TT30	Nominal seating tab angle
NS010...NS050	Nitrided surface (segment)
NX003...NX025	Nitrided surface (expander-spacer)



## 4 Ring types and designations

### 4.1 Types of expander/segment oil-control rings



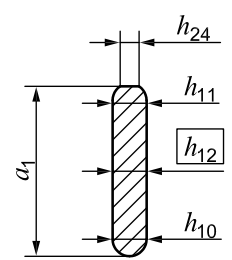
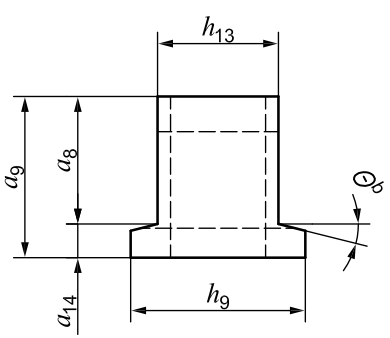
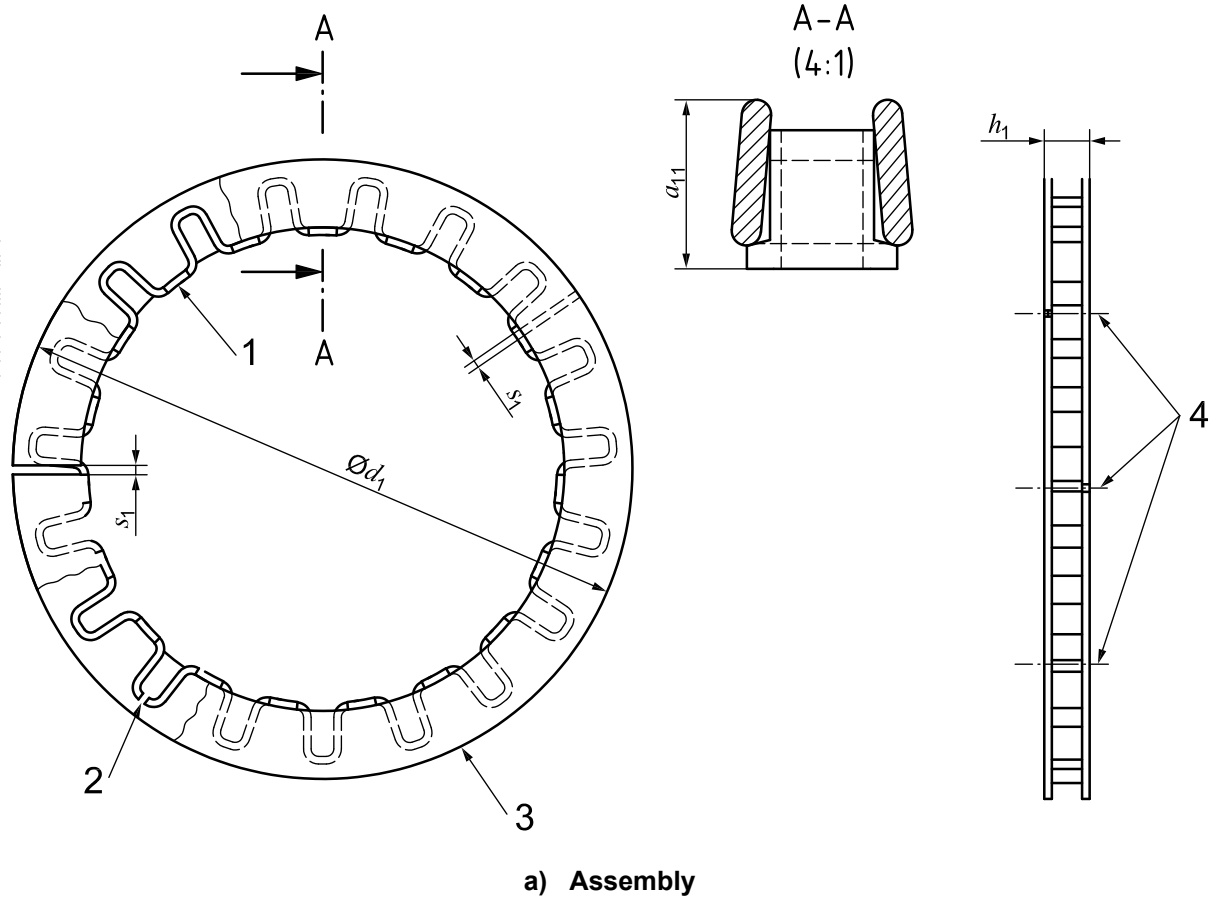
**Key**

1 centring pad (optional)

**Figure 1 — Expander/segment oil-control ring designs**

4.2 General features

The expander/segment assembly shall be in accordance with Figure 2.



b) Expander-spacer

c) Segment

Key

- 1 seating tab
- 2 expander-spacer ends
- 3 peripheral surface
- 4 stagger segments gaps and expander ends (all three components); stagger angle should be larger than 30°<sup>a</sup>

<sup>a</sup> For assembly arrangement regarding tangential force, see ISO 6621-2.

<sup>b</sup> Seating tab angle dimensions are defined in Table 3.

NOTE This is a schematic drawing of the four spring types shown in Figure 1.

Figure 2 — Expander/segment assembly

### 4.3 Designation examples

The following are examples of piston ring designations in accordance with this International Standard.

**EXAMPLE 1** Expander/segment oil-control ring type ES1 (ES1) of nominal diameter  $d_1 = 90$  mm (90) and nominal assembly width  $h_1 = 3$  mm (3,0), with segments made of unalloyed steel subclass 68 (MC68), a chromium-plated peripheral surface of minimum thickness 0,05 mm (CR1), and with an expander made of 16 % Cr (min.) austenitic steel, of material subclass 67 (MC67) and tangential force,  $F_t$ , according to the medium nominal contact pressure class (PNM):

**Piston ring ISO 6627 - ES1-90 × 3,0-MC68/CR1-MC67/PNM**

**EXAMPLE 2** Expander/segment oil-control ring type ES2 (ES2) of nominal diameter  $d_1 = 90$  mm (90) and nominal assembly width  $h_1 = 2,5$  mm (2,5), with segments made of 11 % Cr (min.) martensitic steel, subclass 65 (MC65), nitrided on the peripheral and inside surfaces (NS020) to a minimum depth of 0,020 mm on the peripheral surface, and with an expander made of 16 % Cr (min.) austenitic steel, of material subclass 67 (MC67), nitrided on the surface (NX), and tangential force,  $F_t$ , according to the reduced nominal contact pressure class (PNR):

**Piston ring ISO 6627 - ES2-90 × 2,5-MC65/NS020-MC67/NXPNR**

**EXAMPLE 3** Expander/segment oil-control ring type ES3 (ES3) of nominal diameter  $d_1 = 90$  mm (90) and nominal assembly width  $h_1 = 4,0$  mm (4,0), with segments made of unalloyed steel subclass 68 (MC68), a chromium-plated peripheral surface of minimum thickness 0,05 mm (CR1) with lapped stripe (h24) of 0,30 mm, and with an expander made of 16 % Cr (min.) austenitic steel, of material subclass 67 (MC67) and tangential force,  $F_t$ , according to the high nominal contact pressure class (PNH):

**Piston ring ISO 6627 - ES3-90 × 4,0-MC68/CR1-MC67/PNH**

## 5 Common features

### 5.1 Expander-spacer

#### 5.1.1 Design considerations

In order to optimize the fit of the oil ring assembly into the engine cylinder bore, the following should be considered in the design of the expander/segment oil-control rings:

- total circumferential deflection of the expander;
- piston groove depth;
- features on the lands adjacent to the oil ring groove;
- groove-corner radius.

#### 5.1.2 Without surface treatment

The expander-spacer without surface treatment is typically used together with chromium-plated segments (see 5.2.1).

#### 5.1.3 Nitrided surface (NX)

The expander-spacer with a nitrided surface is typically used together with nitrided segments (see 5.2.2).

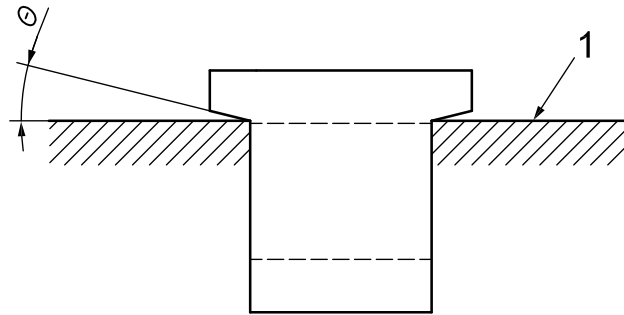
**Table 2 — Expander-spacer nitrided case**

Dimensions in millimetres

Code	Nitrided case depth	Tolerance
NX003	0,003	+ 0,012 0
NX010	0,010	
NX015	0,015	
NX020	0,020	
NX025	0,025	
NOTE 1 The tolerance for NX applies at the contact area between the segment internal diameter and the expander.		
NOTE 2 For the definition of the nitrided case depth, see ISO 6621-2.		

**5.1.4 Seating tab angle**

The expander-spacer is usually designed with the seating tabs at a slight angle. These results in side sealing between the segment and the side of the piston groove (see Figure 3). Table 3 presents the recommended tab angles.



**Key**

1 reference plane

**Figure 3 — Expander-spacer seating tab angle**

**Table 3 — Seating tab angle  $\theta$**

Values in degrees

Code	Nominal value	Tolerance
TT00	0	+ 5
TT05	5	$\pm 5$
TT10	10	
TT15	15	
TT20	20	
TT25	25	
TT30	30	
NOTE Code TT00 is only applicable for ES2 type expander.		

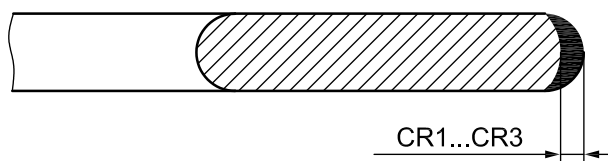
**5.1.5 Expander-spacer dimensions**

No values are given for features  $a_8$ ,  $a_9$ ,  $a_{14}$ ,  $h_9$  and  $h_{13}$  (see Figure 2), as these dimensions depend on the expander-spacer design and shall be defined by the manufacturer.

**5.2 Segment features**

**5.2.1 Chromium-plated peripheral surface**

The common features of a chromium-plated segment are shown in Figure 4, with chromium-plating thickness given in Table 4.



**Figure 4 — Chromium-plated segment**

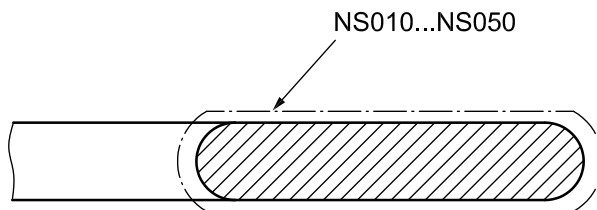
**Table 4 — Chromium-plating thickness**

Dimensions in millimetres

Code	Thickness min.
CR1	0,05
CR2	0,10

**5.2.2 Nitrided surface codes NS010 to NS050**

The common features of a nitrided segment are shown in Figure 5. The nitriding case depth (NS010 to NS050) is specified according to its reference to the peripheral surface, inside surface or the sides of the segment (see Table 5).



**Figure 5 — Nitrided segment**

Table 5 — Nitrided case depth

Dimensions in millimetres

Code	Nitrided case depth <sup>a</sup>		
	Peripheral surface min.	Inside surface min.	Side faces
NS010	0,010	0,005	nitrided surface permissible
NS020	0,020	0,005	
NS030	0,030	0,010	
NS050	0,050	0,020	

<sup>a</sup> For tolerances, see ISO 6621-4.

5.2.3 Segment dimensions

The nominal segment width ( $h_{12}$ ) is defined as the width at the mid-point of the segment radial-wall thickness. The segment width defined near the internal diameter of the segment ( $h_{10}$ ) and the outside diameter ( $h_{11}$ ) is shown in Figure 6, while typical values are given in Table 7.

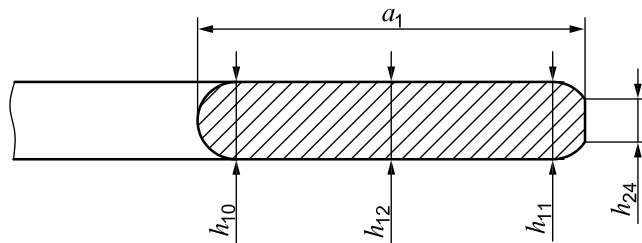


Figure 6 — Segment width

Table 6 — Typical ring width and segment width combinations

Dimensions in millimetres

$h_1$	$h_{12}$					
	0,30	0,35	0,40	0,45	0,50	0,60
1,5	x	x	x			
2,0		x	x	x		
2,5			x	x		
3,0			x	x	x	
3,5				x	x	x
4,0					x	x

**Table 7 — Typical segment width and segment radial wall thickness combinations**

Dimensions in millimetres

$h_{12}$	$a_1$								
	1,50	1,70	1,85	2,00	2,10	2,30	2,50	2,70	3,00
0,30	x	x	x	x					
0,35	x	x	x	x	x	x			
0,40	x	x	x	x	x	x			
0,45				x	x	x	x	x	x
0,50				x	x	x	x	x	x
0,60					x	x	x	x	x

**Table 8 — Typical ring width and segment radial wall thickness combinations**

Dimensions in millimetres

$h_1$	$a_1$								
	1,50	1,70	1,85	2,00	2,10	2,30	2,50	2,70	3,00
1,5	x	x	x	x					
2,0	x	x	x	x	x	x	x		
2,5	x	x	x	x	x	x	x		
3,0				x	x	x	x	x	x
3,5								x	x
4,0								x	x

**Table 9 — Segment width due to processing**

Dimensions in millimetres

$h_{12}$	Plated segment width			Nitrided segment width		
	max.			max.		
	$h_{10}$	$h_{11}$	$h_{24}$	$h_{10}$	$h_{11}^a$	$h_{24}$
0.30	0.34	0.36	0.20	0.34	0.33	0.20
0.35	0.39	0.41	0.25	0.39	0.38	0.25
0.40	0.44	0.46	0.25	0.44	0.43	0.25
0.45	0.49	0.51	0.25	0.49	0.48	0.25
0.50	0.54	0.56	0.30	0.54	0.53	0.30
0.60	0.64	0.66	0.30	0.64	0.63	0.30

NOTE  $h_{24}$  is applicable only for segments with specified segment contact face width.

<sup>a</sup> Dimension  $h_{11}$  optional.

The radial wall thickness of the segment will vary in accordance with the expander-spacer design. Common ratios  $d_1/a_1$  are between 45 and 20.

The common tolerance for the radial wall thickness ( $a_1$ ) of the nitrided segments is  $\pm 0,05$  mm, and the chromium-plated segments CR1 and CR2, is  $\pm 0,08$  mm.

For lapped contact face,  $h_{24}$  shall be at least 0,05 mm.

### 5.3 Expander/segment assembly

The nominal expander/segment assembly width ( $h_1$ ) is shown in Table 10 with the specific tangential force ( $F_{tc}$ ).

The radial thickness of the selected assembly ( $a_{11}$ ) depends on its design (expander and segments) and shall be defined by the manufacturer.

## 6 Dimensions

**Table 10 — Dimensions of expander/segment oil-control rings**

Dimensions in millimetres

Nominal diameter $d_1$	Segment width $h_{12}$ (Column)						Segment closed gap $s_1$		Specific tangential force $F_{tc}[N]$ ( $\rho_{ou} = 1 \text{ N/mm}^2$ ) (Column)							Nominal assembly width $h_1$ (using available $h_{12}$ ) (Column)					
	1	2	3	4	5	6	Tolerance	1	2	3	4	5	6	Tolerance	1-2-3	2-3-4	3-4	3-4-5	4-5-6	5-6	
																					0
40								12,00	14,00	16,00	18,00	20,00									
41								12,30	14,35	16,40	18,45	20,50									
42								12,60	14,70	16,80	18,90	21,00									
43								12,90	15,05	17,20	19,35	21,50									
44								13,20	15,40	17,60	19,80	22,00									
45								13,50	15,75	18,00	20,25	22,50									
46								13,80	16,10	18,40	20,70	23,00									
47								14,10	16,45	18,80	21,15	23,50									
48								14,40	16,80	19,20	21,60	24,00									
49								14,70	17,15	19,60	22,05	24,50									
50	0,30	0,35	0,40	0,45	0,50	0,60	0,15	15,00	17,50	20,00	22,50	25,00	—	± 20 % if $F_{tc} > 25 \text{ N}$ ± 5 N if $F_{tc} \leq 25 \text{ N}$	1,5	2,0	2,5	—	—	—	
51								15,30	17,85	20,40	22,95	25,50									
52								15,60	18,20	20,80	23,40	26,00									
53								15,90	18,55	21,20	23,85	26,50									
54								16,20	18,90	21,60	24,30	27,00									
55								16,50	19,25	22,00	24,75	27,50									
56								16,80	19,60	22,40	25,20	28,00									
57								17,10	19,95	22,80	25,65	28,50									
58								17,40	20,30	23,20	26,10	29,00									
59								17,70	20,65	23,60	26,55	29,50									



Table 10 (continued)

Dimensions in millimetres

Nominal diameter $d_1$	Segment width $h_{12}$ (Column)						Segment closed gap $s_1$		Specific tangential force $F_{tc}[N]$ ( $\rho_{0.01} = 1 \text{ N/mm}^2$ ) (Column)							Nominal assembly width $h_1$ (using available $h_{12}$ ) (Column)					
	1	2	3	4	5	6	Tolerance	Tolerance	1	2	3	4	5	6	Tolerance	1-2-3	2-3-4	3-4	3-4-5	4-5-6	5-6
60									18,00	21,00	24,00	27,00	30,00	36,00							
61									18,30	21,35	24,40	27,45	30,50	36,60							
62									18,60	21,70	24,80	27,90	31,00	37,20							
63									18,90	22,05	25,20	28,35	31,50	37,80							
64									19,20	22,40	25,60	28,80	32,00	38,40							
65									19,50	22,75	26,00	29,25	32,50	39,00							
66									19,80	23,10	26,40	29,70	33,00	39,60							
67							0,20		20,10	23,45	26,80	30,15	33,50	40,20							
68									20,40	23,80	27,20	30,60	34,00	40,80							
69									20,70	24,15	27,60	31,05	34,50	41,40							
70									21,00	24,50	28,00	31,50	35,00	42,00							
71									21,30	24,85	28,40	31,95	35,50	42,60							
72									21,60	25,20	28,80	32,40	36,00	43,20							
73									21,90	25,55	29,20	32,85	36,50	43,80							
74								+0,75 0	22,20	25,90	29,60	33,30	37,00	44,40							
75									22,50	26,25	30,00	33,75	37,50	45,00							
76									22,80	26,60	30,40	34,20	38,00	45,60							
77	0,30	0,35	0,40	0,45	0,50	0,60			23,10	26,95	30,80	34,65	38,50	46,20	1,5	2,0	2,5	3,0	3,5	4,0	
78									23,40	27,30	31,20	35,10	39,00	46,80							
79									23,70	27,65	31,60	35,55	39,50	47,40							
80									24,00	28,00	32,00	36,00	40,00	48,00							
81									24,30	28,35	32,40	36,45	40,50	48,60							
82							0,25		24,60	28,70	32,80	36,90	41,00	49,20							
83									24,90	29,05	33,20	37,35	41,50	49,80							
84									25,20	29,40	33,60	37,80	42,00	50,40							
85									25,50	29,75	34,00	38,25	42,50	51,00							
86									25,80	30,10	34,40	38,70	43,00	51,60							
87									26,10	30,45	34,80	39,15	43,50	52,20							
88									26,40	30,80	35,20	39,60	44,00	52,80							
89									26,70	31,15	35,60	40,05	44,50	53,40							
90									27,00	31,50	36,00	40,50	45,00	54,00							
91										31,85	36,40	40,95	45,50	54,60	$\pm 20\%$ if $F_{tc} > 25 \text{ N}$ $\pm 5 \text{ N}$ if $F_{tc} \leq 25 \text{ N}$						
92							0,30	+0,75 0	—	32,20	36,80	41,40	46,00	55,20							
93										32,55	37,20	41,85	46,50	55,80							
94										32,90	37,60	42,30	47,00	56,40							

Table 10 (continued)

Dimensions in millimetres

Nominal diameter $d_1$	Segment width $h_{12}$ (Column)						Segment closed gap $s_1$		Specific tangential force $F_{tc}[N]$ ( $\rho_{ou} = 1 \text{ N/mm}^2$ ) (Column)							Nominal assembly width $h_1$ (using available $h_{12}$ ) (Column)					
	1	2	3	4	5	6	Tolerance	1	2	3	4	5	6	Tolerance	1-2-3	2-3-4	3-4	3-4-5	4-5-6	5-6	
95									33,25	38,00	42,75	47,50	57,00								
96									33,60	38,40	43,20	48,00	57,60								
97									33,95	38,80	43,65	48,50	58,20								
98									34,30	39,20	44,10	49,00	58,80								
99									34,65	39,60	44,55	49,50	59,40								
100									35,00	40,00	45,00	50,00	60,00			2,0	2,5				
101									35,35	40,40	45,45	50,50	60,60								
102									35,70	40,80	45,90	51,00	61,20								
103									36,05	41,20	46,35	51,50	61,80								
104									36,40	41,60	46,80	52,00	62,40								
105										42,00	47,25	52,50	63,00								
106										42,40	47,70	53,00	63,60								
107										42,80	48,15	53,50	64,20								
108										43,20	48,60	54,00	64,80								
109										43,60	49,05	54,50	65,40								
110	0,30	0,35	0,40	0,45	0,50	0,60		+0,75 0	—	44,00	49,50	55,00	66,00	—				3,0	3,5	4,0	
111										44,40	49,95	55,50	66,60								
112										44,80	50,40	56,00	67,20								
113										45,20	50,85	56,50	67,80								
114										45,60	51,30	57,00	68,40								
115										—	46,00	51,75	57,50	69,00			—				
116											46,40	52,20	58,00	69,60							
117								0,35			46,80	52,65	58,50	70,20							
118											47,20	53,10	59,00	70,80							
119											47,60	53,55	59,50	71,40							
120											48,00	54,00	60,00	72,00							
121											48,40	54,45	60,50	72,60							
122											48,80	54,90	61,00	73,20							
123											49,20	55,35	61,50	73,80							
124											49,60	55,80	62,00	74,40							
125											50,00	56,25	62,50	75,00							

NOTE The specified  $F_{tc}$  values apply to oil ring assemblies which are evaluated with segments with mean radial wall thickness. Appropriate  $F_{tc}$  values for assemblies which are evaluated with segments of any radial wall thickness (within the specification) must be determined by manufacturer and client. In this case, careful consideration is to be given to the manufacturer's process capability in respect of expander load, expander deflection, and segment radial wall thickness.

## 7 Materials

### 7.1 Expander-spacer

The expander-spacer shall be made of steel, as specified in ISO 6621-3, either of subclass 67 or subclass 68, as agreed upon by the manufacturer and the client.

Nitrided expander-spacers shall be made of steel, as specified in ISO 6621-3, of subclass 67.

### 7.2 Segments

Chromium-plated segments shall be made of steel, as specified in ISO 6621-3, of subclass 68. Nitrided segments shall be made of steel, as specified in ISO 6621-3, of either subclass 65 or subclass 66.

## 8 Tangential force and nominal contact pressure

### 8.1 Tangential force

#### 8.1.1 Tangential force, $F_t$

The tangential force,  $F_t$ , of an expander/segment oil-control ring is determined by the force produced by compressing the expander-spacer and the tangential force of the segments. It may be calculated using the formula:

$$F_t = \frac{1}{2} d_1 \times 2h_{12} \times p_o$$

See Table 1 and Figure 2.

NOTE The portion of  $F_t$  attributable to the tangential force of the segments is negligible.

#### 8.1.2 Specific tangential force, $F_{tc}$

$F_{tc}$  is the specific tangential force required to maintain an expander/segment oil-control ring at a unit contact pressure of 1 N/mm<sup>2</sup> ( $p_{ou}$ ). It may be calculated using the formula:

$$F_{tc} = \frac{1}{2} d_1 \times 2h_{12} \times p_{ou}$$

The specific tangential forces are given in Table 10.

#### 8.1.3 Actual tangential force, $F_t$

The actual tangential force of an expander/segment oil-control ring can be calculated using the  $F_{tc}$  value and the required nominal contact pressure  $p_o$  taken from the equation:

$$F_t = \frac{p_o}{p_{ou}} \times F_{tc}$$

where  $\frac{p_o}{p_{ou}}$  is the pressure multiplying factor (see Table 11).

### 8.2 Classes of nominal contact pressure

The tangential force ( $F_t$ ) for selected unit pressures is calculated using the multiplying factors given in Table 11, which also gives the meanings of the pressure classes by category according to ISO 6626.

The nominal contact pressure  $p_o$  is defined as the required nominal contact pressure, assuming 100 % contact across the nominal segment-width ( $h_{12}$ ).

**Table 11 — Classes of nominal contact pressure**

Pressure multiplying factor $p_o/p_{ou}$	Code	Meaning
1,5	PNV	very high
1,2	PNH	high
1,0	PNM	medium
0,8	PNR	reduced
0,6 <sup>a</sup>	PNL	low
<sup>a</sup> Not recommended for $d_1 < 65$ mm.		

## Bibliography

- [1] ISO 1101, *Geometrical Product Specifications (GPS) — Geometrical tolerancing — Tolerances of form, orientation, location and run-out*
- [2] ISO 6621-1, *Internal combustion engines — Piston rings — Part 1: Vocabulary*
- [3] ISO 6621-5, *Internal combustion engines — Piston rings — Part 5: Quality requirements*
- [4] ISO 6622-1, *Internal combustion engines — Piston rings — Part 1: Rectangular rings made of cast iron*
- [5] ISO 6622-2<sup>1)</sup>, *Internal combustion engines — Piston rings — Part 2: Rectangular rings with narrow ring width*
- [6] ISO 6623<sup>1)</sup>, *Internal combustion engines — Piston rings — Scraper rings made of cast iron*
- [7] ISO 6624-1, *Internal combustion engines — Piston rings — Part 1: Keystone rings made of cast iron*
- [8] ISO 6624-2<sup>1)</sup>, *Internal combustion engines — Piston rings — Part 2: Half keystone rings made of cast iron*
- [9] ISO 6624-3, *Internal combustion engines — Piston rings — Part 3: Keystone rings made of steel*
- [10] ISO 6624-4<sup>1)</sup>, *Internal combustion engines — Piston rings — Part 4: Half keystone rings made of steel*
- [11] ISO 6625<sup>1)</sup>, *Internal combustion engines — Piston rings — Oil control rings*
- [12] ISO 6626-2<sup>1)</sup>, *Internal combustion engines — Piston rings — Part 2: Coil-spring-loaded oil-control rings of narrow width made of cast iron*
- [13] ISO 6626-3, *Internal combustion engines — Piston rings — Part 3: Coil-spring-loaded oil-control rings made of steel*

---

1) Under revision.

---

---

**ICS 43.060.10**

Price based on 15 pages