
**Road vehicles — Sheath-type glow-plugs
with conical seating and their cylinder
head housing —**

**Part 3:
M10 glow-plugs**

*Véhicules routiers — Bougies de préchauffage à fourreau et à siège
conique et leur logement dans la culasse —*

Partie 3: Bougies M10



Reference number
ISO 6550-3:2009(E)

© ISO 2009

PDF disclaimer

This PDF file may contain embedded typefaces. In accordance with Adobe's licensing policy, this file may be printed or viewed but shall not be edited unless the typefaces which are embedded are licensed to and installed on the computer performing the editing. In downloading this file, parties accept therein the responsibility of not infringing Adobe's licensing policy. The ISO Central Secretariat accepts no liability in this area.

Adobe is a trademark of Adobe Systems Incorporated.

Details of the software products used to create this PDF file can be found in the General Info relative to the file; the PDF-creation parameters were optimized for printing. Every care has been taken to ensure that the file is suitable for use by ISO member bodies. In the unlikely event that a problem relating to it is found, please inform the Central Secretariat at the address given below.



COPYRIGHT PROTECTED DOCUMENT

© ISO 2009

All rights reserved. Unless otherwise specified, no part of this publication may be reproduced or utilized in any form or by any means, electronic or mechanical, including photocopying and microfilm, without permission in writing from either ISO at the address below or ISO's member body in the country of the requester.

ISO copyright office
Case postale 56 • CH-1211 Geneva 20
Tel. + 41 22 749 01 11
Fax + 41 22 749 09 47
E-mail copyright@iso.org
Web www.iso.org

Published in Switzerland

Contents

Page

Foreword	iv
1 Scope	1
2 Normative references	1
3 Dimensions and tolerances	1
3.1 Glow plugs	1
3.2 Cylinder head housing	4
3.3 Threads	5
4 Installation tightening torque	6
Annex A (normative) Pin terminal dimensions	7
Annex B (normative) Alternative pin terminals	8
Bibliography	10

Foreword

ISO (the International Organization for Standardization) is a worldwide federation of national standards bodies (ISO member bodies). The work of preparing International Standards is normally carried out through ISO technical committees. Each member body interested in a subject for which a technical committee has been established has the right to be represented on that committee. International organizations, governmental and non-governmental, in liaison with ISO, also take part in the work. ISO collaborates closely with the International Electrotechnical Commission (IEC) on all matters of electrotechnical standardization.

International Standards are drafted in accordance with the rules given in the ISO/IEC Directives, Part 2.

The main task of technical committees is to prepare International Standards. Draft International Standards adopted by the technical committees are circulated to the member bodies for voting. Publication as an International Standard requires approval by at least 75 % of the member bodies casting a vote.

Attention is drawn to the possibility that some of the elements of this document may be the subject of patent rights. ISO shall not be held responsible for identifying any or all such patent rights.

ISO 6550-3 was prepared by Technical Committee ISO/TC 22, *Road vehicles*, Subcommittee SC 1, *Ignition equipment*.

This third edition cancels and replaces the second edition (ISO 6550-3:2002), which has been technically revised.

ISO 6550 consists of the following parts, under the general title *Road vehicles — Sheath-type glow-plugs with conical seating and their cylinder head housing*:

- *Part 1: M14 × 1,25 glow-plugs*
- *Part 2: M12 × 1,25 glow-plugs*
- *Part 3: M10 glow-plugs*
- *Part 4: M8 × 1 glow-plugs*

Road vehicles — Sheath-type glow-plugs with conical seating and their cylinder head housing —

Part 3: M10 glow-plugs

1 Scope

This part of ISO 6550 specifies the main characteristics of M10 sheath-type glow-plugs with conical seating and their cylinder head housing, for use with diesel (compression-ignition) engines.

2 Normative references

The following referenced documents are indispensable for the application of this document. For dated references, only the edition cited applies. For undated references, the latest edition of the referenced document (including any amendments) applies.

ISO 68-1, *ISO general purpose screw threads — Basic profile — Part 1: Metric screw threads*

ISO 261, *ISO general purpose metric screw threads — General plan*

ISO 965-1, *ISO general-purpose metric screw threads — Tolerances — Part 1: Principles and basic data*

ISO 965-3, *ISO general purpose metric screw threads — Tolerances — Part 3: Deviations for constructional screw threads*

ISO 8092-1, *Road vehicles — Connections for on-board electrical wiring harnesses — Part 1: Tabs for single-pole connections — Dimensions and specific requirements*

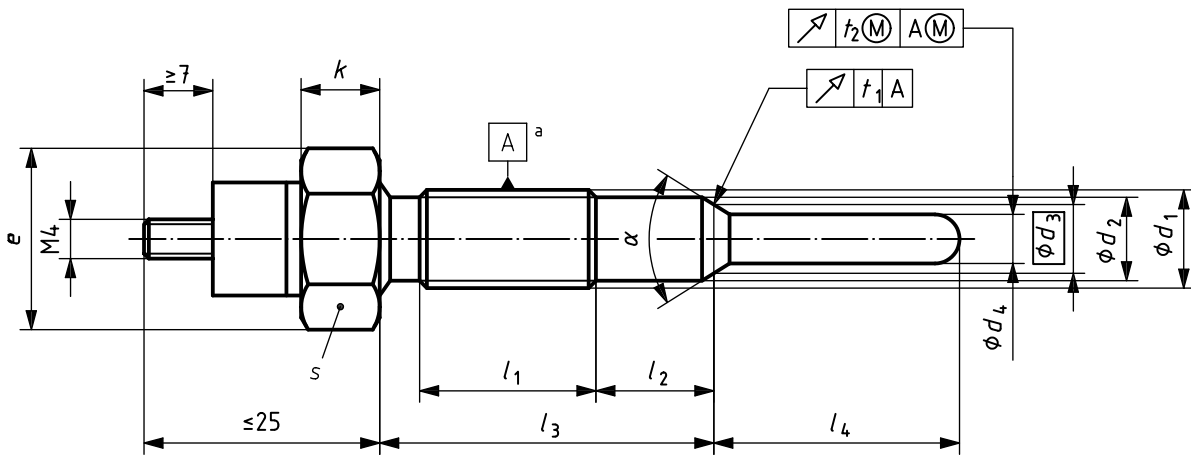
ISO 8092-4, *Road vehicles — Connections for on-board electrical wiring harnesses — Part 4: Pins for single- and multi-pole connections — Dimensions and specific requirements*

3 Dimensions and tolerances

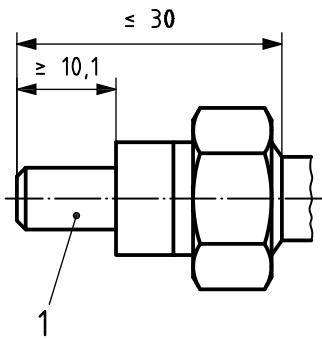
3.1 Glow plugs

Sheath-type glow-plug dimensions and tolerances shall be as given in Figure 1 and Table 1.

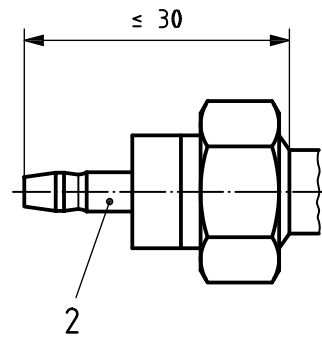
Dimensions in millimetres



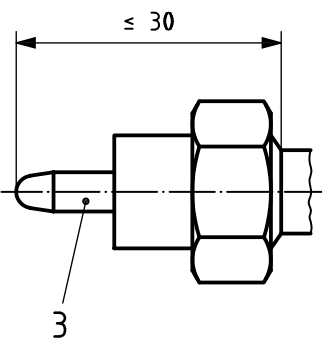
a) With threaded terminal (types A1 to A6 and C1 to C3)



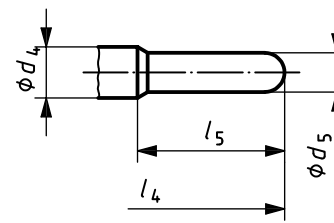
b) With blade terminal^b (types B1 and B2)



c) With pin terminal^b (types B3 and B4)

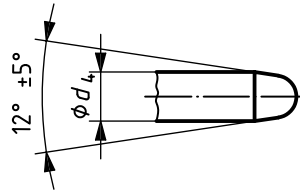


d) With pin terminal^b (type C4)



e) With reduced tip end diameter at sheathed glow element^b

Figure 1 (continued)



f) with cone end diameter^b

See Table 1 for dimensions.

Key

- 1 tab ISO 8092-1, size 6,3 × 0,8
- 2 pin in accordance with Annex A
- 3 pin ISO 8092-4, size 4
- a Major diameter, in accordance with ISO 1101.
- b For other dimensions see Figure 1 a).

Figure 1 — M10 sheath-type glow-plugs

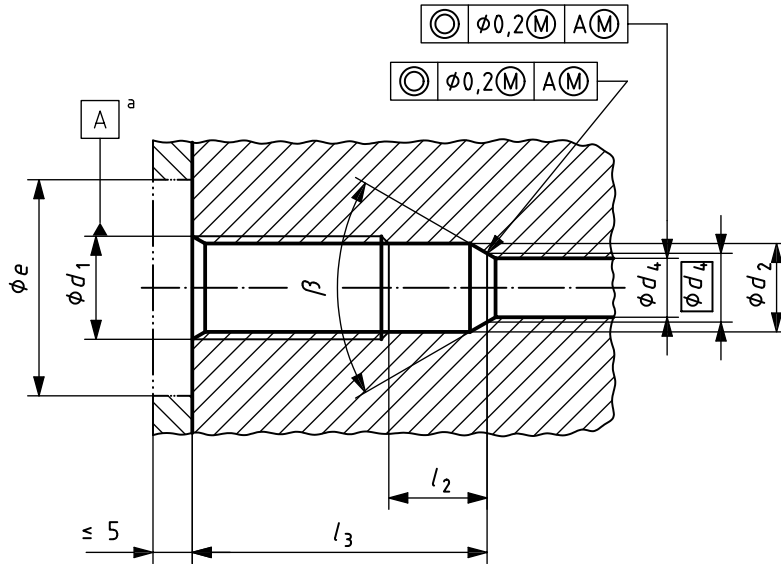
Table 1 — Glow-plug dimensions

Type	Terminal	Thread		Hexagon			Body						Glow tube						
		d_1 mm	l_1 mm	s	e mm	k mm	α	d_2 mm	d_3 ref. mm	t_1 mm	l_2 mm	l_3 mm	d_4 $\pm 0,2$ mm	d_5 $\begin{matrix} 0 \\ -0,2 \end{matrix}$ mm	l_4 mm	l_5 mm	t_2 mm		
A1	M4	M10 × 1,25-6g	> 22,0	12,0 h 13	> 13,3	> 4,0	123° ± 2°	8,2 $\begin{matrix} 0 \\ -0,2 \end{matrix}$	7,0	0,2	10,0 $\begin{matrix} +1 \\ 0 \end{matrix}$	35,0 ± 1	5,0	—	20,0 ± 1	—	0,7		
A2															25,0 ± 1				
A3															30,0 ± 1				
A4											20,0 ± 1								
A5											25,0 ± 1								
A6											30,0 ± 1								
B1	blade	M10 × 1-6g	> 10,0	9,6 h 14	> 10,7	> 7,0	93° ± 2°	8,3 ± 0,13	6,4	0,18	7,0 ± 0,25	20,0 ± 0,25	5,0	—	28,5 ± 0,5	—	0,7		
B2	9,1 ± 0,25										25,9 ± 0,25	27,0 ± 0,5							
B3															7,0 ± 0,25			26,7 ± 0,25	28,5 ± 0,5
B4																			
C1	M4	M10 × 1-6g	> 10,0	10,0 h 13	> 11,0	> 7,0	63° ± 2°	8,5 $\begin{matrix} 0 \\ -0,2 \end{matrix}$	7,0	0,2	> 11,5	> 33,0	5,0	—	> 5,0	0,7			
C2														25,0 ± 0,5			0,4		
C3														4,0			30,0 ± 0,5	0,7	
C4														pin ISO 8092-4, size 4			4,0	25,0 ± 0,5	0,4
^a See Annex A.																			

3.2 Cylinder head housing

The dimensions and tolerances of the cylinder head housing for sheath-type glow-plugs shall be as given in Figure 2 and Table 2.

Dimensions in millimetres



See Table 2 for dimensions.

^a Major diameter, in accordance with ISO 1101.

Figure 2 — Cylinder head housing for M10 glow-plugs

Table 2 — Housing dimensions

Glow-plug type	d_1 6H mm	β $\pm 1^\circ$	d_2 mm	d_3 ref. mm	d_4^a mm	e mm	$\begin{matrix} l_2 \\ 0 \\ -1 \end{matrix}$ mm	l_3 mm
A1 to A3	M10 × 1,25	120°	> 8,7	7,0	> 6,5	> 23	9,0	> 31,0
A4 to A6							19,0	> 41,0
B1 and B4	M10 × 1	90°	> 8,8	6,4	> 5,5	> 20	5,0	> 17,0
B2 and B3							7,0	> 23,0
C1 to C4	M10 × 1	60°	> 8,8	7,0	> 6,5	> 21	10,0	> 31,0

^a The determination of the exact dimension (above the minimum) is to be agreed between glow-plug and engine manufacturers. The clearance between the probe and the cylinder head shall be kept to a minimum.

3.3 Threads

3.3.1 General

The threads of M10 glow-plugs and the corresponding tapped holes in cylinder heads shall be in accordance with ISO 68-1, ISO 261, ISO 965-1 and ISO 965-3.

The thread M10 × 1,25-6g shall be used for glow-plugs of type A (but see 3.3.2). The thread in the corresponding tapped holes in the cylinder heads shall be M10 × 1,25-6H.

The thread M10 × 1-6g shall be used for glow-plugs of types B and C (but see 3.3.3). The thread in the corresponding tapped holes in the cylinder heads shall be M10 × 1-6H.

3.3.2 Dimension limits of thread M10 × 1,25

Dimension limits of thread M10 × 1,25-6g are given in Table 3. For existing designs, tolerance class 6e is also permitted. New designs shall be to class 6g.

Table 3 — Dimension limits M10 × 1,25

Dimensions in millimetres

Dimensions		Plug thread (on finished plug) 6g	Tapped hole in cylinder head 6H
Major diameter	max.	9,972	not specified
	min.	9,760	10,000
Pitch diameter	max.	9,160	9,348
	min.	9,042	9,188
Minor diameter	max.	8,439	8,912
	min.	8,251 ^a	8,647

^a With a root radius $\geq 0,126$ mm (0,1*P*).

3.3.3 Dimension limits of thread M10 × 1

Dimension limits of thread M10 × 1-6g are given in Table 4. For existing designs, tolerance class 6e is also permitted. New designs shall be to class 6g.

Table 4 — Dimension limits M10 × 1

Dimensions in millimetres

Dimensions		Plug thread (on finished plug) 6g	Tapped hole in cylinder head 6H
Major diameter	max.	9,974	not specified
	min.	9,794	10,000
Pitch diameter	max.	9,324	9,500
	min.	9,212	9,350
Minor diameter	max.	8,747	9,153
	min.	8,563 ^a	8,917

^a With a root radius $\geq 0,1$ mm (0,1*P*).

4 Installation tightening torque

The installation tightening torque values shall be as given in Table 5. The values apply to new sheath-type glow-plugs without lubricant on the threads. If threads are lubricated, the torque value shall be reduced by approximately one third to avoid overstressing.

Table 5 — Tightening torque

Glow-plug type	Tightening torque	
	N·m	
	Thread M10 ^a	Thread M4 ^b
A	10 to 20	0,8 to 1,5
B		—
C	10 to 15	≤ 2,5

^a The engine manufacturers may specify a different torque for the first installation.

^b Differing specifications apply to the admissible tightening torque according to the nut used.

Annex A (normative)

Pin terminal dimensions

The dimensions of the pin used as the terminal with glow-plug types B3 and B4 shall be as shown in Figure A.1.

Dimensions in millimetres

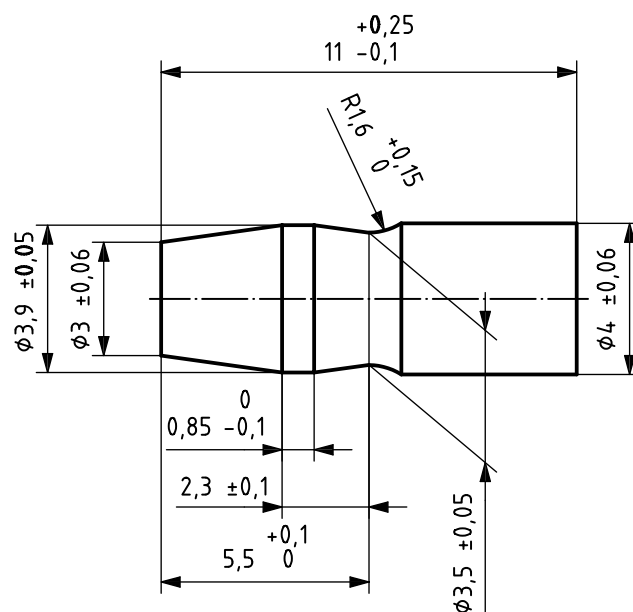


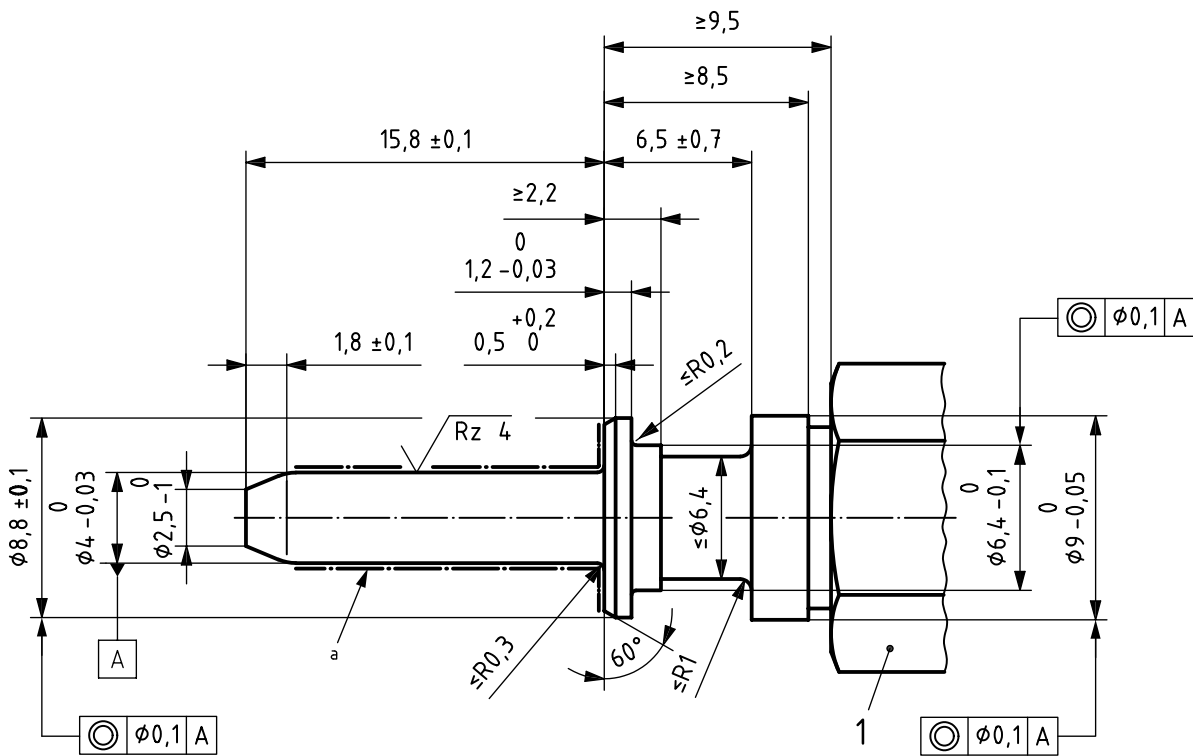
Figure A.1 — Pin terminal dimensions

Annex B
(normative)

Alternative pin terminals

The dimensions of alternative pin terminals for all types of M10 glow-plugs shall be as shown in Figure B.1 or B.2.

Dimensions in millimetres



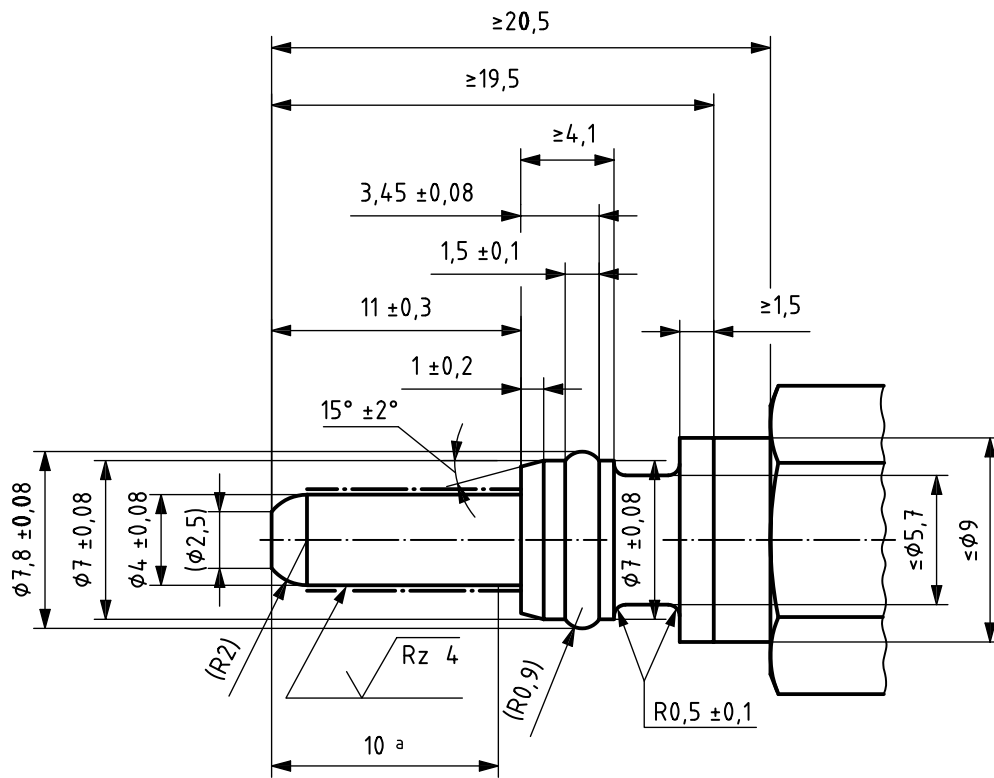
Key

1 hexagon 10,0 h 13

a The surface in this area is free of undercut.

Figure B.1 — Dimensions of alternative terminal — Model A

Dimensions in millimetres



^a Effective dimension for diameter $4^{+0,08}_{-0,08}$ and Rz4.

Figure B.2 — Dimensions of alternative terminal — Model B

Bibliography

- [1] ISO 1101, *Geometrical Product Specifications (GPS) — Geometrical tolerancing — Tolerances of form, orientation, location and run-out*

ICS 43.060.50

Price based on 10 pages

http://www.iso.org/iso/iso.htm