

INTERNATIONAL STANDARD

ISO 6415

Third edition
2005-06-01

Internal combustion engines — Spin-on filters for lubricating oil — Dimensions

Moteurs à combustion interne — Filtres à huile vissés — Dimensions



Reference number
ISO 6415:2005(E)

© ISO 2005

PDF disclaimer

This PDF file may contain embedded typefaces. In accordance with Adobe's licensing policy, this file may be printed or viewed but shall not be edited unless the typefaces which are embedded are licensed to and installed on the computer performing the editing. In downloading this file, parties accept therein the responsibility of not infringing Adobe's licensing policy. The ISO Central Secretariat accepts no liability in this area.

Adobe is a trademark of Adobe Systems Incorporated.

Details of the software products used to create this PDF file can be found in the General Info relative to the file; the PDF-creation parameters were optimized for printing. Every care has been taken to ensure that the file is suitable for use by ISO member bodies. In the unlikely event that a problem relating to it is found, please inform the Central Secretariat at the address given below.

© ISO 2005

All rights reserved. Unless otherwise specified, no part of this publication may be reproduced or utilized in any form or by any means, electronic or mechanical, including photocopying and microfilm, without permission in writing from either ISO at the address below or ISO's member body in the country of the requester.

ISO copyright office
Case postale 56 • CH-1211 Geneva 20
Tel. + 41 22 749 01 11
Fax + 41 22 749 09 47
E-mail copyright@iso.org
Web www.iso.org

Published in Switzerland

Foreword

ISO (the International Organization for Standardization) is a worldwide federation of national standards bodies (ISO member bodies). The work of preparing International Standards is normally carried out through ISO technical committees. Each member body interested in a subject for which a technical committee has been established has the right to be represented on that committee. International organizations, governmental and non-governmental, in liaison with ISO, also take part in the work. ISO collaborates closely with the International Electrotechnical Commission (IEC) on all matters of electrotechnical standardization.

International Standards are drafted in accordance with the rules given in the ISO/IEC Directives, Part 2.

The main task of technical committees is to prepare International Standards. Draft International Standards adopted by the technical committees are circulated to the member bodies for voting. Publication as an International Standard requires approval by at least 75 % of the member bodies casting a vote.

Attention is drawn to the possibility that some of the elements of this document may be the subject of patent rights. ISO shall not be held responsible for identifying any or all such patent rights.

ISO 6415 was prepared by Technical Committee ISO/TC 22, *Road vehicles*, Subcommittee SC 7, *Injection equipment and filters for use on road vehicles*.

This third edition cancels and replaces the second edition (ISO 6415:1990), which has been technically revised.

.....

Internal combustion engines — Spin-on filters for lubricating oil — Dimensions

1 Scope

This International Standard specifies the essential dimensions necessary for interchangeability of spin-on filters of the full-flow type for the filtration of lubricating oil for internal combustion engines. It also gives the designation and marking of these filters.

2 Normative references

The following referenced documents are indispensable for the application of this document. For dated references, only the edition cited applies. For undated references, the latest edition of the referenced document (including any amendments) applies.

ISO 68 (all parts), *ISO general purpose screw threads — Basic profile*

ISO 261, *ISO general purpose metric screw threads — General plan*

ISO 965-1, *ISO general-purpose metric screw threads — Tolerances — Part 1: Principles and basic data*

ISO 965-3, *ISO general purpose metric screw threads — Tolerances — Part 3: Deviations for constructional screw threads*

3 Requirements

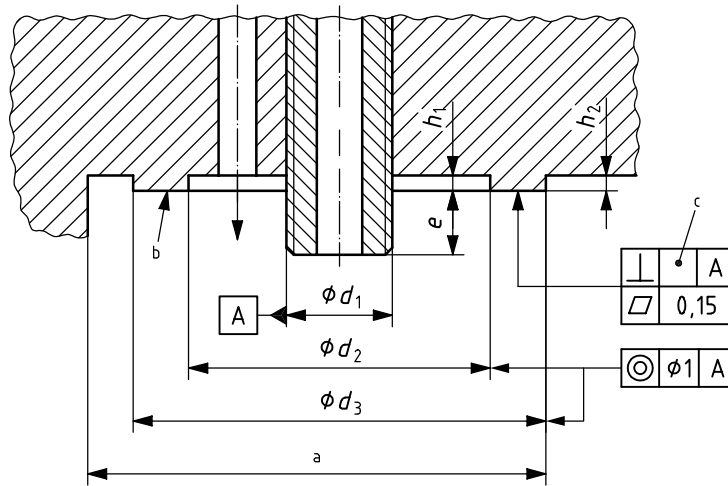
3.1 Connection thread and sealing surface

The dimensions of the male and female connection threads and of the sealing surface are specified in Figure 1 and Table 1. The thread shall conform to ISO 68, ISO 261, ISO 965-1 and ISO 965-3.

The sealing surface shall be continuous and free from porosity and nicks.

NOTE The use of filters with unified threads is discouraged to avoid the danger of mismatching.

Dimensions in millimetres unless otherwise specified



- a Minimum clearance = filter diameter $K + 20$ mm
- b Sealing surface $Ra = 3,2 \mu\text{m}$. Mean value measured at minimum wave length $C = 0,8$ mm and the overall distance $l_m = 4$ mm
- c Socket sizes 1 and 2: 0,2. Socket sizes 3 and 4: 0,3.

Figure 1 — Connection and sealing surface

Table 1 — Dimensions of connection threads and sealing surface

Dimensions in millimetres

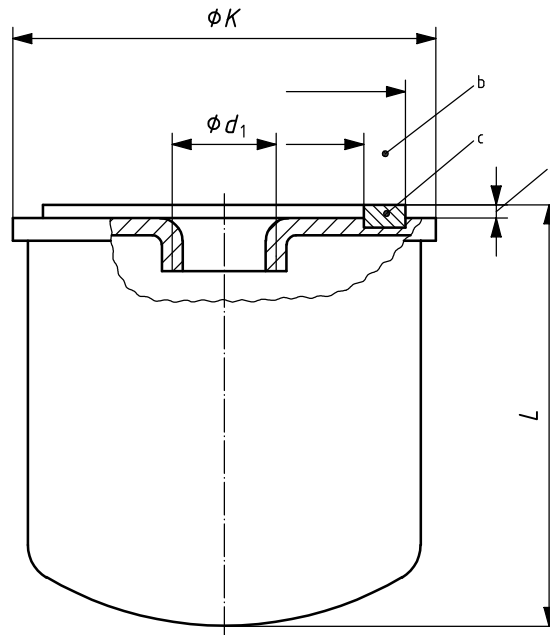
Socket size	Connection thread					Sealing surface			
	d_1	Tolerance		e		d_2 max.	d_3 min.	h_1 min.	h_2 min.
		stud thread ^a	filter thread	min.	max.				
0	M20x1,5	6g	6H	14	20	54	69	2	2
1	M20x1,5	6g	6H	14	20	58	76	2	2
2	M26x2	6g	6H	14	20	58	76	2	2
3	M30x2	6g	6H	16	22	90	113	4	2
4	M38x2	6g	6H	16	22	90	113	4	2

^a The stud shall be threaded over full distance e . When the filter has been tightened, at least three full threads shall be in contact.

NOTE M16 × 1,5 and M24 × 1,5 have been reserved for spin-on fuel filters.

3.2 Filter diameter and length

The maximum dimensions for filter diameter and length are specified in Figure 2 and Table 2.



- a Free gasket height at discretion of manufacturer, depending on material and shape. The gasket shall have sufficient compression to allow satisfactory fitting; once fitted, it shall provide a satisfactory seal during the life of the filter.
- b The gasket diameter shall be included within the diameters d_2/d_3 .
- c Filter and gasket diameter shall be so joined as to necessitate the replacement of both parts simultaneously.

Figure 2 — Filter

Table 2 — Filter dimensions

Dimensions in millimetres

Diameter K	≤ 80	> 80 ≤ 90	> 90 ≤ 100	> 100 ≤ 112	> 112 ≤ 140	
Length L_{max}	125	160	210	265	310	
Socket size	0	x	—	—	—	
	1	x	x	x	—	
	2	—	—	x	x	
	3	—	—	x	x	x
	4	—	—	—	x	x

3.3 By-pass valve

For equipment protection, each spin-on filter type shall be fitted with a by-pass valve or an equivalent device unless a by-pass valve has been incorporated in the engine design. By-pass valves fitted to the spin-on filter shall operate at one of the following pressures:

- 100 kPa \pm 20 kPa
- 160 kPa \pm 30 kPa
- 250 kPa \pm 40 kPa

3.4 Design of canister base

In order to facilitate removal and installation of the filter, the canister base shall incorporate one of the following features:

- a curved surface, i.e. without any impressions, as specified in Figure 3, type X;
- grooves as specified in Figure 4, type Y;
- flats as specified in Figure 5, type Z.

4 Designation

Spin-on filters for lubricating oil shall be designated in accordance with the following example.

EXAMPLE Designation of a spin-on filter with metric thread M20 \times 1,5 and socket size 1:

Oil filter ISO 6415 M20 x 1,5 - 1

In order to use the ISO designation in the marking as specified in Clause 5, the filter shall conform to all requirements given in this International Standard.

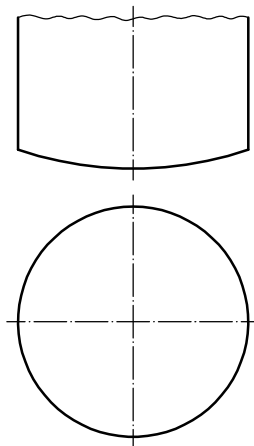


Figure 3 — Canister base type X — Without impressions

Dimensions in millimetres

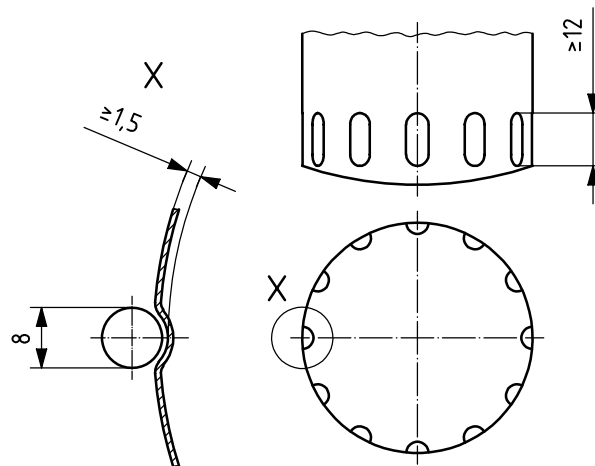


Figure 4 — Canister base type Y — Without grooves — Number of grooves: 6 or multiple of 6

Dimensions in millimetres

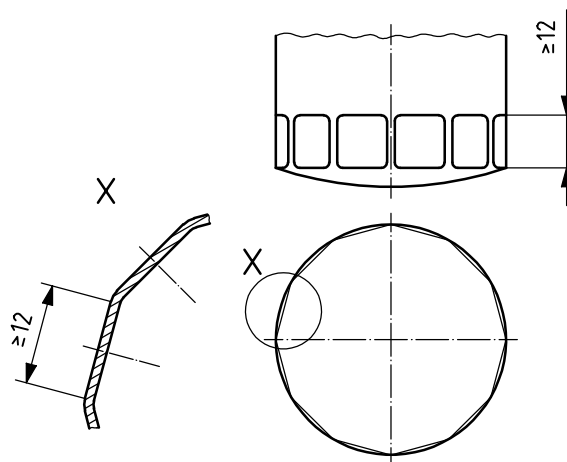


Figure 5 — Canister base type Z — With flats — Number of flats: 8, 10, 12, 14, 15 or more

5 Marking

WARNING — In view of the current wide use of unified threads, a note should also be given in publicity literature and on filter cartons and filter assemblies wherever metric threads are used, to avoid mismatching.

Each spin-on filter shall be marked with the following information:

- name of manufacturer or supplier;
- type designation (for example, catalogue number);
- date or code of manufacture;
- instructions for installation;
- ISO designation (see Clause 4).

The full marking shall appear on each filter body unless the engine manufacturer dictates otherwise.

ICS 43.060.30

Price based on 5 pages