
**Fire protection — Automatic
sprinkler systems —**

**Part 5:
Requirements and test methods for
deluge valves**

*Protection contre l'incendie — Systèmes d'extinction automatiques de
type sprinkler —*

Partie 5: Exigences et méthodes d'essai des postes déluges





COPYRIGHT PROTECTED DOCUMENT

© ISO 2012

All rights reserved. Unless otherwise specified, no part of this publication may be reproduced or utilized in any form or by any means, electronic or mechanical, including photocopying and microfilm, without permission in writing from either ISO at the address below or ISO's member body in the country of the requester.

ISO copyright office
Case postale 56 • CH-1211 Geneva 20
Tel. + 41 22 749 01 11
Fax + 41 22 749 09 47
E-mail copyright@iso.org
Web www.iso.org

Published in Switzerland

Contents

	Page
Foreword	iv
1 Scope	1
2 Normative references	1
3 Terms and definitions	1
4 Requirements	4
4.1 Nominal sizes.....	4
4.2 Connections.....	4
4.3 Rated working pressure.....	4
4.4 Body and cover.....	4
4.5 Strength (see 6.8).....	5
4.6 Access for maintenance.....	5
4.7 Components.....	5
4.8 Leakage (see 6.7).....	6
4.9 Non-metallic components (excluding gaskets, diaphragms, seals and other elastomeric parts) (see 6.4 & 6.5).....	6
4.10 Sealing assembly elements (see 6.3).....	6
4.11 Clearances.....	6
4.12 Hydraulic friction loss (see 6.6).....	8
4.13 Endurance (see 6.10).....	9
4.14 Operational performance (see 6.9).....	9
4.15 Drains.....	9
4.16 Alarms.....	10
4.17 Valve impairment.....	10
4.18 Height limitations of wet pilot lines.....	10
5 Production testing and quality control	11
6 Tests	11
6.1 Samples.....	11
6.2 Spring and diaphragm test.....	11
6.3 Sealing element tests (see 4.10).....	11
6.4 Warm-water ageing test for non-metallic components (excluding gaskets and seals and other elastomeric parts) (see 4.9).....	12
6.5 Air ageing test for non-metallic components (excluding gaskets and seals and other elastomeric parts) (see 4.9).....	12
6.6 Hydraulic friction loss test (see 4.12).....	13
6.7 Valve leakage and deformation test (see 4.8).....	13
6.8 Body strength test (see 4.5).....	13
6.9 Operational test (see 4.14).....	13
6.10 Endurance test (see 4.13).....	15
6.11 Anti-reseating test (see 4.7.7).....	15
6.12 Salt mist corrosion test.....	15
7 Marking	16
8 Manufacturer's installation instructions	17
Annex A (normative) Tolerances	18
Bibliography	19

Foreword

ISO (the International Organization for Standardization) is a worldwide federation of national standards bodies (ISO member bodies). The work of preparing International Standards is normally carried out through ISO technical committees. Each member body interested in a subject for which a technical committee has been established has the right to be represented on that committee. International organizations, governmental and non-governmental, in liaison with ISO, also take part in the work. ISO collaborates closely with the International Electrotechnical Commission (IEC) on all matters of electrotechnical standardization.

International Standards are drafted in accordance with the rules given in the ISO/IEC Directives, Part 2.

The main task of technical committees is to prepare International Standards. Draft International Standards adopted by the technical committees are circulated to the member bodies for voting. Publication as an International Standard requires approval by at least 75 % of the member bodies casting a vote.

Attention is drawn to the possibility that some of the elements of this document may be the subject of patent rights. ISO shall not be held responsible for identifying any or all such patent rights.

ISO 6182-5 was prepared by Technical Committee ISO/TC 21, *Equipment for fire protection and fire fighting*, Subcommittee SC 5, *Fixed firefighting systems using water*.

This third edition cancels and replaces the second edition (ISO 6182-5:2006), which has been technically revised.

ISO 6182 consists of the following parts, under the general title *Fire protection — Automatic sprinkler systems*:

- *Part 1: Requirements and test methods for sprinklers*
- *Part 2: Requirements and test methods for wet alarm valves, retard chambers and water motor alarms*
- *Part 3: Requirements and test methods for dry pipe valves*
- *Part 4: Requirements and test methods for quick-opening devices*
- *Part 5: Requirements and test methods for deluge valves*
- *Part 6: Requirements and test methods for check valves*
- *Part 7: Requirements and test methods for early suppression fast response (ESFR) sprinklers*
- *Part 8: Requirements and test methods for pre-action dry alarm valves*
- *Part 9: Requirements and test methods for water mist nozzles*
- *Part 10: Requirements and test methods for domestic sprinklers*
- *Part 11: Requirements and test methods for pipe hangers*
- *Part 12: Requirements and test methods for grooved-end components for steel pipe systems*

Fire protection — Automatic sprinkler systems —

Part 5: Requirements and test methods for deluge valves

1 Scope

This part of ISO 6182 specifies performance requirements, methods of test and marking requirements for deluge valves and manufacturer's specified relevant trim used in deluge and pre-action automatic fire protection systems. Deluge valves covered by these requirements can be operated by hydraulic, pneumatic, electric, mechanical, manual, or thermal means, or combinations thereof.

Performance and test requirements for other auxiliary components or attachments to deluge valves are not covered by this part of ISO 6182.

This part of ISO 6182 does not cover thermally operated valves released by heat acting directly on the valve. This type of valve utilizes a thermal device, such as the link-and-lever arrangement or glass bulb of a sprinkler, to hold the valve closed. Operation of the thermal device allows the valve to open.

2 Normative references

The following referenced documents are indispensable for the application of this document. For dated references, only the edition cited applies. For undated references, the latest edition of the referenced document (including any amendments) applies.

ISO 898-1, *Mechanical properties of fasteners made of carbon steel and alloy steel — Part 1: Bolts, screws and studs with specified property classes — Coarse thread and fine pitch thread*

ISO 898-2, *Mechanical properties of fasteners made of carbon steel and alloy steel — Part 2: Nuts with specified property classes — Coarse thread and fine pitch thread*

3 Terms and definitions

For the purposes of this document, the following terms and definitions apply.

3.1

alarm device

mechanical or electrical device to sound an alarm upon operation of the valve

3.2

anti-reseat latch

mechanism that prevents the sealing assembly from returning to its closed position after operation

3.3

automatic drain

normally open device that automatically drains water from and vents the intermediate chamber of a valve to the atmosphere when the valve is in the ready position, and limits water flow from the chamber after the valve has tripped

3.4

auxiliary pressure

pressure acting against an auxiliary diaphragm or piston, taken from either the service pressure or an external source

3.5

clapper

type of sealing element

NOTE See 3.20.

3.6

corrosion-resistant material

metallic material of bronze, brass, Monel^{®1)} metal, austenitic stainless steel, or equivalent, or plastic material conforming with the requirements of this part of ISO 6182

3.7

deluge system

automatic fire protection system using a deluge valve which is operated by an auxiliary means to admit water into a system of non-automatic (open) sprinklers or nozzles

3.8

deluge valve

automatic water-supply control valve intended to be operated by an auxiliary means to admit water into a system of open piping for a deluge system, or system of closed piping for a pre-action system

NOTE The auxiliary means of operating a deluge valve can be mechanical, electrical, hydraulic, pneumatic, thermal, manual or a combination of these.

3.8.1

hydraulically operated deluge valve

deluge valve that is maintained in the set position by service hydraulic pressure acting against a diaphragm or piston that holds the sealing assembly closed

NOTE A change in pressure against the diaphragm or piston allows the valve to open. The pressure is changed by operation of a manual control, an electrical device such as solenoid valve, or hydraulically, thermally, or pneumatically operated device.

3.8.1.1

pressure-loss operated deluge valve

type of hydraulically operated deluge valve in which the valve is released from the set position by reducing the pressure acting against an auxiliary diaphragm or piston

3.8.1.2

supply-pressure operated deluge valve

type of hydraulically-operated deluge valve that is maintained in the set position by a spring or other means and is hydraulically operated by the application of service pressure to an auxiliary diaphragm or piston

3.8.2

mechanically operated deluge valve

deluge valve that is maintained in the set position by mechanical means

NOTE It is released mechanically, for example, by the action of a release weight.

3.9

dry pilot actuator

differential-type valve that, upon loss of pneumatic pressure from a dry pilot line, permits the operation of a hydraulically operated deluge valve

3.10

dry pilot line

pneumatic detection and actuation piping system fitted with heat responsive devices, usually sprinklers, which, when subjected to an abnormal source of heat, operates to release pressure from the piping system and dry pilot actuator, causing the automatic operation of a deluge valve

1) Monel[®] is an example of a suitable product available commercially. This information is given for the convenience of users of this part of ISO 6182 and does not constitute an endorsement by ISO of this product.

3.11**flow velocity**

speed of water flow through a valve, expressed as the equivalent water velocity through a pipe of the same nominal size as the valve

3.12**intermediate chamber**

that part of a valve which separates the air and/or water sealing assembly seating surfaces and is at atmospheric pressure when the valve is in the ready condition

3.13**leak point**

system air pressure for a specific service pressure at which water begins to flow from the intermediate chamber, automatic drain valve or alarm connection

3.14**minimum opening pressure**

minimum pressure when water begins to pass through the valve

3.15**pre-action system**

automatic fire protection system using a deluge valve that is operated by an auxiliary means to admit water into a system of automatic sprinklers or other automatic spraying devices

3.16**priming water**

water used to seal a sealing assembly and prevent cementation of working parts

3.17**rated working pressure**

maximum service pressure at which a valve or retard chamber is intended to operate

3.18**ready (set) condition**

state of a valve with the sealing assembly in the closed and set position with service and system pressure applied

3.19**reinforced elastomeric element**

element of clapper, clapper assembly or seat seals in a composite of an elastomeric compound with one or more other components

3.20**sealing assembly**

main movable sealing element of the valve, which prevents the flow of water through the valve when in the closed position

3.21**sealing assembly seat ring**

main fixed sealing element of a valve that prevents the flow of water through the valve when in the closed position

3.22**service pressure**

static water pressure at the inlet to a valve when the valve is in the ready condition

3.23**trim**

external equipment and pipework, excluding the main installation pipework, fitted to valve installation assembly

3.24

trip point

pressure at which a valve operates, admitting water into the system

3.25

water-motor alarm

hydraulically actuated device which provides a local audible alarm as a result of a flow through a valve

3.26

wet pilot line

hydraulic detection and actuation piping system fitted with heat responsive devices, usually automatic sprinklers, which, when subjected to heat from a fire, operate to release pressure from the piping system causing the automatic operation of a deluge valve

4 Requirements

4.1 Nominal sizes

The nominal size of a valve shall be the nominal diameter of the inlet and outlet connections, i.e. the pipe size for which the connections are intended. The sizes shall be 40 mm, 50 mm, 65 mm, 80 mm, 100 mm, 125 mm, 150 mm, 200 mm, 250 mm or 300 mm. The diameter of the waterway through the sealing assembly seat ring may be less than the nominal size.

4.2 Connections

4.2.1 All connections shall be designed for use at the rated working pressure of the valve.

4.2.2 The dimensions of all connections shall conform with the applicable requirements of International Standards. If International Standards are not applicable, national standards shall be permitted to be used.

4.2.3 An opening not smaller than 15 mm nominal diameter shall be provided for an alarm line connection.

4.2.4 If priming water is required to seal the downstream side of the sealing assembly, an external means shall be provided to introduce the priming water.

4.2.5 Means shall be provided to prevent or drain water columning and to check the level of priming water (if required).

4.2.6 Suitable means shall be provided to facilitate testing of alarms without tripping the valve.

4.3 Rated working pressure

4.3.1 The rated working pressure shall be not less than 1,2 MPa (12 bar).

4.3.2 Inlet and outlet connections may be machined for lower working pressures to match installation equipment provided the valve is marked with the lower working pressure. See 7.3 f).

4.4 Body and cover

4.4.1 The body and cover shall be made of a material having corrosion resistance at least equivalent to cast iron.

4.4.2 Cover fasteners shall be made of steel, stainless steel, titanium, or other materials with equivalent physical and mechanical properties.

4.4.3 Non-metallic materials other than gaskets, diaphragms and seals or metals with a melting point less than 800 °C shall not form part of the valve body or cover.

4.4.4 It shall not be possible to assemble the valve with the cover plate in a position which either improperly indicates flow direction or prevents proper operation of the valve.

4.5 Strength (see 6.8)

4.5.1 An assembled valve, with the sealing assembly blocked open, shall withstand, without rupture, an internal hydrostatic pressure of four times the rated working pressure for a period of 5 min when tested as specified in 6.8.

4.5.2 If the test in accordance with 6.8 is not done with standard production fasteners, the supplier shall provide documentation showing that the calculated design load of any standard production fastener, neglecting the force required to compress the gasket, does not exceed the minimum tensile strength specified in ISO 898-1 and ISO 898-2, when the valve is pressurized to four times the rated working pressure. The area of the application of pressure shall be calculated as follows.

- a) If a full-face gasket is used, the area of application of pressure is that extending out to a line defined by the inner edge of the bolts.
- b) If an "O"-ring seal or ring gasket is used, the area of application of force is that extending out to the centreline of the "O"-ring or gasket.

4.6 Access for maintenance

Means shall be provided to permit access to working parts and removal of the sealing assembly. Any method adopted shall permit ready maintenance by one person with a minimum of down time.

4.7 Components

4.7.1 Any component that is normally disassembled during servicing shall be designed so that it cannot be reassembled improperly without providing an external visual indication when the valve is returned to service.

4.7.2 With the exception of valve seats, all parts intended for field replacement shall be capable of being disassembled and reassembled using tools normally employed by the trade.

4.7.3 All components shall be non-detachable during normal operation of the valve.

4.7.4 Failure of the sealing assembly diaphragms or seals shall not prevent the valve from opening.

4.7.5 Seat surfaces of sealing assemblies shall have a corrosion resistance equivalent to brass or bronze and have sufficient width of surface contact to withstand ordinary wear and tear, rough usage, compression stresses and damage due to pipe scale or foreign matter carried by the water.

4.7.6 Springs and diaphragms shall not fracture or rupture during 5 000 cycles of normal operation when tested in accordance with 6.2.

4.7.7 There shall be no sign, on visual examination, of damage to the sealing assembly after testing for the operational requirements of 4.14 in accordance with 6.10 and 6.12.

4.7.8 When wide open, the sealing assembly shall bear against a definite stop. The opening of the valve or reaction of the water shall not permanently twist, bend or fracture valve parts.

4.7.9 Where rotation or sliding motion is required, the part or its bearing shall be made of a corrosion-resistant material. Materials lacking corrosion resistance shall be fitted with bushings, inserts or other parts made of corrosion-resistant materials at those points where freedom of movement is required.

4.7.10 Means shall be provided to prevent the valve from automatically returning to the ready (set) condition and to permit draining of the pipework after the valve has tripped. Manual or external means shall be provided to return the valve to the ready (set) condition.

4.8 Leakage (see 6.7)

4.8.1 There shall be no leakage, permanent distortion or rupture of a valve when an internal pressure of twice the rated working pressure is applied for 5 min with the sealing assembly open when tested in accordance with 6.7.1.

4.8.2 There shall be no leakage, permanent distortion or rupture of a valve at an internal pressure of twice the rated working pressure applied to the upstream side of the sealing assembly for 2 h with the downstream end vented in accordance with 6.7.2.

4.9 Non-metallic components (excluding gaskets, diaphragms, seals and other elastomeric parts) (see 6.4 & 6.5)

Non-metallic valve parts that may affect proper valve function as defined in this International Standard shall be subjected to the applicable ageing of its non-metallic parts as described in 6.4 and 6.5 using separate sets of samples, as applicable. After ageing, a valve shall meet the requirements of 4.8, 4.13 and 4.14 when tested in accordance with the applicable tests described in 6.9, 6.7 and 6.10.

4.10 Sealing assembly elements (see 6.3)

4.10.1 A seal made of elastomeric or other resilient materials shall not adhere to the mating surface when tested in accordance with 6.3.1. Where the same design of seat is used for more than one size of valve, it shall be permitted to test only the size with the highest stress on the seating surface.

4.10.2 Sealing surfaces shall prevent leakage of water into the alarm port when the valve is tested in the ready position in accordance with 6.10.

4.11 Clearances

The requirements in 4.11 are applicable to hinged, clapper-type valves only.

4.11.1 The radial clearance between a hinged sealing assembly and the inside walls in every position except wide open shall not be less than 12 mm for cast iron bodies and shall not be less than 6 mm if the body and sealing assembly are of cast iron or steel with corrosion protective coatings tested in accordance with 6.14, non-ferrous material, stainless steel or materials having equivalent physical, mechanical and corrosion resistant properties. See Figure 1 a).

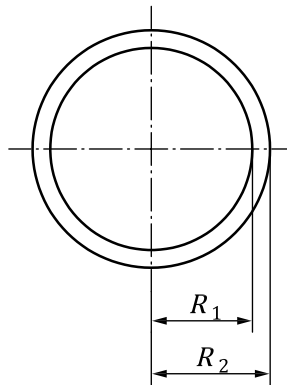
4.11.2 There shall be a diametrical clearance [see Figure 1b)] between the inner edges of the seat ring and the metal parts of the sealing assembly when in the closed position (excluding any latching mechanisms) as follows:

- a) for compression snap-type sealing assemblies of corrosion resistant materials, the diametrical clearance shall be not less than 0,7 mm;
- b) for other types of sealing assemblies, the diametrical clearance shall be not less than 3 mm.

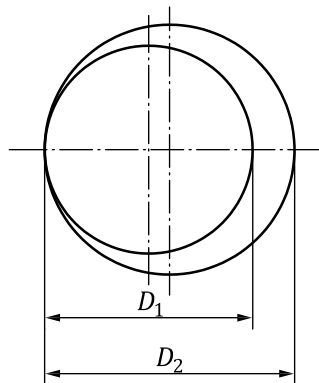
4.11.3 Any space in which the sealing assembly can trap debris beyond the seat shall be not less than 3 mm deep.

4.11.4 The diametrical clearance ($D_2 - D_1$) between hinge pins and their bearings shall be not less than 0,125 mm. See Figure 1 b).

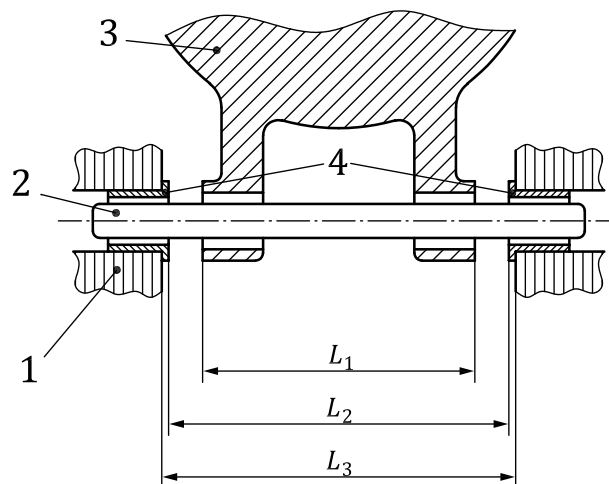
4.11.5 The total axial clearance between the clapper hinge and adjacent valve body bearing surfaces shall be not less than 0,25 mm. See Figure 1 c).



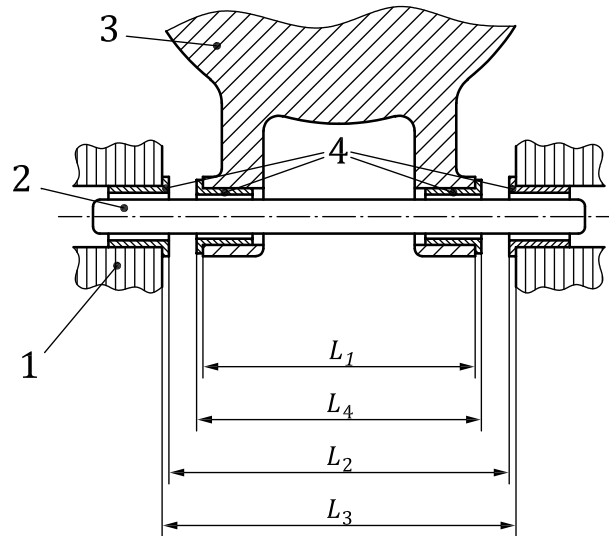
a) Radial clearance, $C_R = R_2 - R_1$



b) Diametrical clearance, $C_D = D_2 - D_1$



c) Total axial clearance, $C_{TA} = L_2 - L_1$; Bushing projection = $(L_3 - L_2)/2$



d) Total axial clearance, C_{TA} $C_{TA} = L_2 - L_4$; **Bushing projection** $= (L_3 - L_2)/2 + (L_4 - L_1)/2$

Key

- 1 valve body
- 2 pin
- 3 sealing assembly
- 4 bushings

Figure 1 — Clearance

4.11.6 Any reciprocating guide components which are essential to allow a valve to open shall have a minimum diametrical clearance of not less than 0,7 mm in that portion over which the moving component enters the fixed component and of not less than 0,05 mm in that portion of the moving component continuously in contact with the fixed component in the ready (set) position.

4.11.7 Sealing assembly guide bushings or hinge-pin bearings shall project a sufficient axial distance to maintain not less than 1,5 mm (clearance *A*) clearance between ferrous metal parts. See Figure 1 c). Clearance less than 1,5 mm shall be permitted where adjacent parts are of bronze, brass, Monel metal, austenitic stainless steel, titanium or similar corrosion-resistant materials. When corrosion resistance of steel parts is provided by a protective coating, the parts shall show no visible signs of deterioration of the coating, such as blistering, delamination, flaking or increased resistance to movement when tested in accordance with 6.12.

4.12 Hydraulic friction loss (see 6.6)

The pressure loss across the valve at the appropriate flow given in Table 1, when tested by the method of 6.7, shall not exceed the pressure loss published in the manufacturer’s installation instructions. See 8.1.

Table 1 — Required flow rates for pressure drop determination

Nominal size mm	Flow rate l/min
40	380
50	590
65	1 000
80	1 510
100	2 360
125	3 680
150	5 300
200	9 920
250	14 720
300	21 200

4.13 Endurance (see 6.10)

The valve and its moving parts shall show no sign of distortion, cracks, loosening, separation or other sign of failure, following 30 min of water flow in accordance with 6.10.

4.14 Operational performance (see 6.9)

4.14.1 The valve shall operate correctly, without adjustment, at the service pressures within the range of 0,14 MPa (1,4 bar) or the minimum service pressure [see 8.2 d)], whichever is greater, to the rated working pressure. When tested in accordance with 6.10, the valve shall operate the alarm correctly within the range of the manufacturer's specified operating pressure and up to flow velocities of 5 m/s.

If the deluge valve is in the set position, it shall not open if the supply pressure drops to 0 MPa (0 bar) for up to 1 h and then rises again.

4.14.2 A pressure-loss operated deluge valve shall operate when the setting pressure is 0,03 MPa (0,3 bar) or greater, for a water service pressure within the range of 0,14 MPa (1,4 bar) or the minimum service pressure [see 8.2 d)], whichever is greater, to the rated working pressure.

4.14.3 A supply pressure operated deluge valve shall operate when the trip pressure is less than or equal to half the service pressure, for a service pressure within the range of 0,14 MPa (1,4 bar) or the minimum service pressure [see 8.2 d)], whichever is greater, to the rated working pressure.

A deluge valve shall be designed to prevent leakage of water from the upstream side of the deluge valve (when set) to the downstream side, or be provided with a positive means of venting any leakage of water from the upstream side of the valve.

Minor leaks in diaphragms, seals, control lines, etc., shall not interfere with the opening of the deluge valve. It shall be easy to detect seals that are not tight and deficiencies that could hamper or obstruct opening of the valves.

4.14.4 All deluge valves shall be operable by automatic and manual means.

4.15 Drains

4.15.1 The valve shall be provided with a tapped opening to drain water from the valve body when the valve is installed in any position specified or recommended by the manufacturer. The minimum opening size shall be 20 mm nominal.

4.15.2 The valve shall be provided with a drain on the downstream side of a minimum 15 mm nominal size, which may be the same drain as provided in 4.15.1.

4.15.3 Drain openings on valves shall be permitted to be used for draining the system pipework when sized in conformance with applicable system installation standards.

4.15.4 Means shall be provided to automatically drain the piping between the valve, or any alarm shut-off valve, and any alarm device attached to the alarm line.

4.15.5 An intermediate chamber of a valve shall be provided with an automatic drain.

4.15.6 Flow or velocity-type automatic drain valves shall close (i.e. substantially restrict flow) when tested in accordance with 6.11. Such valves shall remain closed during drainage of the system until pressure effective at the sealing mechanism becomes less than 0,03 MPa (0,3 bar) and shall open at a pressure between 0,003 5 MPa (0,035 bar) and 0,03 MPa (0,3 bar).

4.15.7 The flow through the drain shall not exceed 0,63 l/s at any service pressure up to the rated working pressure.

4.16 Alarms

4.16.1 A valve shall actuate its associated mechanical and electrical alarm devices at flow velocities through the valve up to 5 m/s, based on nominal pipe size, at inlet supply pressures of 0,14 MPa (1,4 bar) or the minimum service pressure [see 8.2 d)], whichever is greater, to the rated working pressure, when tested for operation in accordance with 6.10.

4.16.2 The valve shall provide at least a pressure of 0,05 MPa (0,5 bar) at its alarm port at a service pressure of 0,14 MPa (1,4 bar) or the minimum service pressure [see 8.2d)], whichever is greater, while supplying a nozzle with a k-factor of 10, when tested in accordance with 6.10.

4.17 Valve impairment

4.17.1 While the valve is in the ready condition, it shall not be possible to interfere with the valve operating mechanism by external tampering.

4.17.2 A valve capable of being pressurized without its cover plate in place shall have some means of signalling a "cover off" condition.

4.18 Height limitations of wet pilot lines

4.18.1 The operating characteristics of a deluge valve shall be determined in relation to the elevation at which a line of wet pilot sprinklers may be placed above the valve. During the testing described in 6.9, data shall be obtained on the valve trip point pressure at each water service pressure. If, at a given water service pressure, the trip pressure at the valve is exceeded by the pressure resulting from the height of the water column between the deluge valve and the highest wet pilot sprinkler, the deluge valve will not open when that sprinkler opens.

The maximum height in metres of any section of pipe or fitting of a wet pilot line installation, at a specific water service pressure, is equal to the trip point pressure, expressed in metres, of water column divided by a minimum of 1,5 to obtain a factor of safety. See also 8.2.

Height limitation of pilot lines shall be established for a range of water service pressures from 0,14 MPa (1,4 bar) or the minimum service pressure [See 8.2 d)], whichever is greater, to the maximum rated working pressure.

The manufacturer shall prepare a method to correctly verify design limitations of wet pilot lines. The design limitations shall include the maximum height limitations of pilot lines determined in 4.18.2 and the maximum pressure drop permitted to the hydraulically most remote sprinkler or manual pull station in the pilot line. This method shall be included as part of the instruction chart provided with each valve (see 8.2).

5 Production testing and quality control

5.1 It shall be the responsibility of the manufacturer to implement and maintain a quality control program to ensure that production continuously meets the requirements of this part of ISO 6182 in the same manner as the originally tested samples.

5.2 Every manufactured valve shall pass a hydrostatic body test for a period not less than 1 min at twice the rated working pressure without leakage.

5.3 Following the hydrostatic body test in 5.2, every manufactured valve shall pass an operation test for correct functioning, including latching of the clapper upon tripping, if appropriate and flow from the alarm port.

5.4 Every manufactured valve shall withstand, without leakage at the valve seat, an internal hydrostatic pressure of twice the rated working pressure applied upstream of the clapper.

6 Tests

6.1 Samples

A representative sample of each size of valve shall be subjected to the following tests.

6.2 Spring and diaphragm test

Subject the spring or diaphragm in the normal mounting to 5 000 cycles of normal operation in air or water. The components shall not be operated at a rate exceeding 6 cycles per minute.

For sealing assembly springs, the sealing assembly shall be rotated off the seat to a 45° angle and slowly return to the closed position. For internal bypass springs, the bypass shall be operated from the fully open position to the closed position. Diaphragms shall be flexed from the normally open to the normally closed position.

6.3 Sealing element tests (see 4.10)

6.3.1 Release test

Prior to conducting this test the minimum opening pressure of the valve needs to be determined.

With the valve in a normal working position and the sealing assembly in the closed position, a hydrostatic pressure of 0,35 MPa (3,5 bar) shall be applied to the outlet end of the valve for a period of 90 days. During this period, the water temperature shall be maintained at 87 ± 2 °C by an immersion heater or other suitable heating device. Provisions shall be made to maintain the water in the inlet end of the valve at atmospheric pressure.

Upon completion of this period of exposure, the water shall be drained from the valve and the valve shall be allowed to cool to ambient temperature for at least 24 h. With the outlet end of the valve at atmospheric pressure, a hydrostatic pressure of 0,035 MPa (0,35 bar) above the minimum opening pressure shall be gradually applied to the inlet end of the valve. The sealing assembly shall move off the seat and no piece of the seal other than colour shall adhere to the mating surface.

Where the same design of a seal is used for more than one size of valve, only a sample of the size with the highest stress on the seating surface shall be tested.

6.4 Warm-water ageing test for non-metallic components (excluding gaskets and seals and other elastomeric parts) (see 4.9)

Four untested samples of each component shall be immersed in tap water at $87\text{ °C} \pm 2\text{ °C}$ for 180 days.

If a material cannot withstand the temperature indicated without excessive softening, distortion, or deterioration, a water-ageing test shall be conducted at a lower temperature, but not less than 70 °C , for a longer period of time. The duration of exposure shall be calculated from Equation (1):

$$t = 74\,857 e^{-0,069\,3\,T} \quad (1)$$

where

- t is the exposure duration, expressed in days;
- e is the base of natural logarithms (= 2,718 3);
- T is the test temperature, expressed in degrees Celsius.

NOTE This equation is based on the 10 °C rule, i.e. for every 10 °C rise, the rate of a chemical reaction is approximately doubled. When applied to plastic ageing, it is assumed that the life at a temperature, T , in °C is half the life at $(T - 10)\text{ °C}$.

The samples shall be removed from the water and shall be allowed to cool to room temperature for a minimum of 24 h. The components shall be examined for cracking, warping, creep, or other signs of deterioration which would preclude the proper operation of the device. The parts are then to be assembled into valves and shall comply with the requirements of 4.8.1 and 4.14 when tested in accordance with 6.7 and 6.9.

6.5 Air ageing test for non-metallic components (excluding gaskets and seals and other elastomeric parts) (see 4.9)

Four untested samples of each component shall be aged in an air oven at $120\text{ °C} \pm 2\text{ °C}$ for 180 days. The samples shall be tested in contact with the mating materials under stresses comparable to the intended use at rated working pressure. The components shall be supported so that they do not touch each other or the sides of the oven.

If a material cannot withstand the temperature indicated without excessive softening, distortion or deterioration, an air ageing test shall be conducted at a lower temperature, but not less than 70 °C , for a longer period of time. The duration of exposure shall be calculated from Equation (2):

$$t = 737\,000 e^{-0,069\,3\,T} \quad (2)$$

where

- t is the exposure duration, expressed in days;
- e is the base of natural logarithms (= 2,718 3);
- T is the test temperature, expressed in degrees Celsius.

NOTE This equation is based on the 10 °C rule, i.e. for every 10 °C rise, the rate of a chemical reaction is approximately doubled. When applied to plastic ageing, it is assumed that the life at a temperature, T , in °C is half the life at $(T - 10)\text{ °C}$.

The samples shall be removed from the oven and shall be allowed to cool to room temperature for at least 24 h. All post-exposure tests shall be conducted within 72 h. The components shall be examined for cracking, warping, creep, or other signs of deterioration which would preclude the proper operation of the device. The parts are then to be assembled into valves and comply with the requirements of 4.8.1 and 4.14 when tested in accordance with 6.7 and 6.9.

6.6 Hydraulic friction loss test (see 4.12)

Install the valve in a test apparatus using piping of the same nominal diameter (see 4.1). Use a differential pressure-measuring device accurate to $\pm 2\%$ of value.

Measure and record the differential pressure across the valve at a range of flows above and below the flows shown in Table 1. Replace the valve in the test apparatus by a section of pipe, of the same nominal size, and measure the differential pressure over the same range of flows. Using graphical methods, determine the pressure drops at the flows shown in Table 1. Record the hydraulic friction loss as the difference between the pressure drop across the valve and the pressure drop across the replacement pipe.

6.7 Valve leakage and deformation test (see 4.8)

6.7.1 Body leakage test

Install the valve in a pressure test apparatus with the sealing assembly in the open position. Seal all openings in the valve body. Apply hydrostatic pressure of twice the rated working pressure for a period of 5 min and inspect the valve during this time for signs of leakage. The valve shall conform to the requirements of 4.8.1.

6.7.2 Sealing assembly test (below to above sealing assembly)

Place the deluge valve in the ready position. The downstream side of the valve is to be vented to atmosphere. Apply a hydrostatic pressure equal to the rated working pressure upstream of the sealing assembly and maintain this pressure for 2 h. During the application of hydrostatic pressure there shall not be leakage:

- a) across the sealing assembly;
- b) into the intermediate chamber (if applicable);
- c) into the alarm port.

6.8 Body strength test (see 4.5)

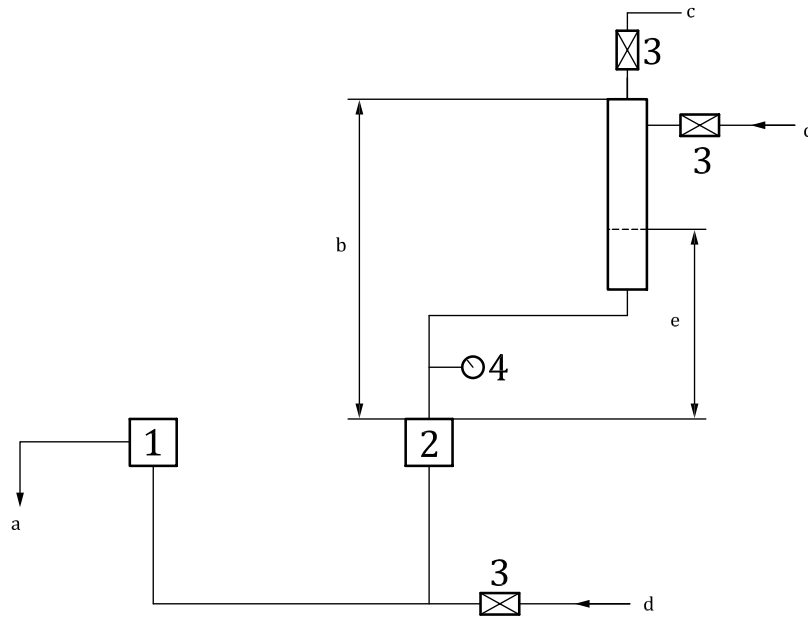
For the purpose of this test, standard production bolts, gaskets and seals may be replaced by components capable of withstanding the test pressure. The valve inlet and outlet connections and all other openings shall be sealed.

There shall be a connection for hydrostatically pressurizing the assembled sample valve at the inlet connection and a means of venting air and pressurizing fluid at the outlet connection. With the sealing assembly blocked open, the sample valve assembly shall be internally hydrostatically pressurized at four times the rated working pressure, but not less than 4,8 MPa (48 bar), for a period of 5 min. The sample valve shall conform to the requirements of 4.5.1.

6.9 Operational test (see 4.14)

6.9.1 General

Subject the valve to a series of operational tests at water service pressures of 0,14 MPa (1,4 bar) and from 0,2 MPa (2 bar) to the rated working pressure in increments of 0,1 MPa (1 bar), using the test installation shown in Figure 3.



Key

- 1 150 mm quick-opening valve
- 2 deluge valve under test
- 3 shut-off valve
- 4 pressure gauge

- a To atmosphere.
- b Supply of 1,9 m³ capacity.
- c Air.
- d Water (typical).
- e Water capacity.

NOTE 1 Remove all air from piping between quick-opening device and inlet side of dry pipe valve prior to each test.

NOTE 2 Pipe schedule in accordance with text.

Figure 2 — Installation for operational and anti-reseating test

6.9.2 Deluge valve installation

Before each test, clean sealing assembly seats and seat rings and all other operating parts. Seat the main sealing assembly member properly and when applicable place the lever mechanism in the set position in accordance with the manufacturer’s instructions. Bolt the cover plate in place. Establish the priming water level (if required). Then fully open the main water supply valve, and check for leakage into the alarm port.

Trip the deluge valve under normal operating conditions.

Record the following pressures:

- a) water supply;
- b) valve trip point;
- c) alarm port.

Record the position of the valve sealing assembly with relation to an anti-reseat latching mechanism, if provided, after each operation. The valve shall meet the requirements of 4.14.

6.10 Endurance test (see 4.13)

Using the test apparatus described in 6.6, adjust the flow rate to that specified by the manufacturer, but not less than the appropriate value given in Table 1, with a tolerance of $+5_0$ %. Sustain a water flow through the valve at this rate for (30^{+5}_0) min.

Examine the valve for compliance with the requirements of 4.13.

6.11 Anti-reseating test (see 4.7.7)

6.11.1 Install a valve in the system piping in its normal installation position. Install a second valve of the quick-opening type of 150 mm nominal size as shown in Figure 3, with a discharge to atmosphere through 150 mm diameter piping. Connect the outlet of the test valve to a reservoir with a volume of at least 1,9 m³ using piping with diameter not less than the test valve size.

6.11.2 Set the sealing assembly of the test valve in the open position, with the sealing assembly on the lowest latch, and where appropriate refit the cover plate. Fill the system and test valve, exclusive of the 1,9 m³ reservoir volume, fully with water. Fill the reservoir with air and water in accordance with one set of the values shown in Table 2. Close the supply valve and trip the quick-opening valve causing flow past the test valve sealing assembly.

CAUTION — Make sure that the reservoir is fully depressurized before examining the test valve.

6.11.3 Repeat the test at each set of values given in Table 2.

Table 2 — Reservoir conditions

Service pressure MPa (bar)	Water percentage of reservoir volume %
0,7 (7)	45
0,10 (10)	30
0,10 (10)	15
0,12 (12)	25

6.11.4 Inspect the sealing assembly to determine that it has not returned to its ready position, nor sustained any distortion, cracks, separation or other signs of failure.

6.11.5 Following this test, the valve shall comply with the requirements of 4.14 at a service pressure of 0,14 MPa (1,4 bar) when tested on time in accordance with 6.10.

The test may be stopped when all of the water has passed the valve under test.

6.12 Salt mist corrosion test

6.12.1 Reagents

Sodium chloride solution, consisting of 20 ± 1 % by weight sodium chloride in distilled water, pH between 6,5 and 7,2 and having a density between 1,126 g/ml and 1,157 g/ml at 35 ± 2 °C.

6.12.2 Apparatus

Fog chamber, of minimum volume 0,43 m³, fitted with a recirculating reservoir and aspirating nozzles to deliver a salt spray, and means for sampling and controlling the atmosphere in the chamber.

6.12.3 Procedure

Remove the cover (if fitted) from the alarm valve. Support the alarm valve and alarm valve cover in the fog chamber in such a way that solution does not collect in any cavities and expose them to a salt spray by supplying the sodium chloride solution through the nozzles at a pressure of between 0,07 MPa (0,7 bar) and 0,17 MPa (1,7 bar), while maintaining the temperature in the exposure zone at 35 ± 2 °C. Ensure that solution running off the component parts under test is collected and not returned to the reservoir for recirculation.

The cover may be omitted from the test if none of the sealing assembly bushings, bearings or their clearances are associated with the cover.

Collect salt mist from at least two points in the exposure zone and measure the rate of application and the salt concentration. Ensure, for each 80 cm² of collection area, a collection rate of 1 ml/h to 2 ml/h over a period of $(16^{+0,25}_0)$ h.

Expose the component parts for a period of $(10^{+0,25}_0)$ days. After exposure, remove the alarm valve and cover (if under test) from the fog chamber and allow to dry for $(7^{+0,25}_0)$ days at a temperature not exceeding 35 °C and at a relative humidity not greater than 70 %. After the drying period, examine the corrosion-protected steel parts for visible signs of deterioration of the coating such as blistering, delamination, flaking or increased resistance to movement.

7 Marking

7.1 Deluge valves shall be marked either directly on the body with raised or depressed cast letters or on a permanent metal label attached mechanically (such as with rivets or screws). Metal labels shall be made of corrosion-resistant material.

7.2 Cast body markings shall be in letters and figures at least 9,5 mm high. The height of the marking may be reduced to 5 mm for valves of 50 mm and smaller. Cast body letters and figures shall be raised or depressed by at least 0,75 mm.

Letters on an etched or stamped permanent label shall be a minimum of 2 mm high.

7.3 Deluge valves shall be marked with:

- a) the name or trade mark of the manufacturer or vendor;
- b) the distinctive model number, catalogue designation or an equivalent marking;
- c) the name of the device, such as "deluge valve";
- d) an indication of flow direction;
- e) the nominal size;
- f) the working pressure in MPa (or bar). If inlet and/or outlet connections are machined for lower working pressures as in 4.3.2, the lower pressure limit shall be marked;
- g) the serial number or year of manufacture. Valves produced in the last three months of a calendar year may be marked with the following year as the date of manufacture; valves produced in the first six months of a calendar year may be marked with the previous year as the date of manufacture;
- h) the mounting position, if limited to vertical or horizontal position; and
- i) the factory of origin, if manufactured at two or more factories;

8 Manufacturer's installation instructions

8.1 A copy of the manufacturer's installation instructions shall be supplied with each deluge valve.

8.2 The instructions shall include:

- a) an illustration showing the valve trim function;
- b) cross-section assembly views to explain the valve operation;
- c) friction loss value;
- d) the minimum service pressure, when higher than 0,14 MPa (1,4 bar); and
- e) instructions for care and maintenance, and details on the method for setting the valve.

8.3 The instructions shall include height and other design limitations of wet pilot lines, determined in 4.14 and 4.18. In addition, it shall indicate that the following factors are important in the design of a pilot line:

- a) water supply pressure;
- b) valve trip point pressure;
- c) maximum height above the valve ;
- d) size of wet pilot line piping;
- e) C-factor (friction loss) of the wet pilot line piping;
- f) sprinkler orifice size; and
- g) size of orifice used to supply water to the wet pilot line.

Annex A (normative)

Tolerances

Unless otherwise stated, the tolerances given in Table A.1 shall apply.

Table A.1 — Tolerances

Parameter	Tolerance
Angle	$\pm 2^\circ$
Frequency (Hz)	$\pm 5\%$ of value
Length	$\pm 2\%$ of value
Volume	$\pm 5\%$ of value
Pressure	$\pm 3\%$ of value
Temperature	$\pm 5\%$ of value
Time	$\begin{matrix} +5 \\ 0 \end{matrix}$ seconds
	$\begin{matrix} +0,1 \\ 0 \end{matrix}$ minutes
	$\begin{matrix} +0,1 \\ 0 \end{matrix}$ hours
	$\begin{matrix} +0,25 \\ 0 \end{matrix}$ days

Bibliography

- [1] ISO 188, *Rubber, vulcanized or thermoplastic — Accelerated aging and heat resistance tests*

