

# INTERNATIONAL STANDARD

# ISO 5897

Deuxième édition  
1998-02-15

---

---

## Passenger cars — Rear-window demisting system — Test method

*Voitures particulières — Dispositif de désembuage de la lunette arrière —  
Méthode d'essai*



Reference number  
ISO 5897:1998(E)

## Foreword

ISO (the International Organization for Standardization) is a worldwide federation of national standards bodies (ISO member bodies). The work of preparing International Standards is normally carried out through ISO technical committees. Each member body interested in a subject for which a technical committee has been established has the right to be represented on that committee. International organizations, governmental and non-governmental, in liaison with ISO, also take part in the work. ISO collaborates closely with the International Electrotechnical Commission (IEC) on all matters of electrotechnical standardization.

Draft International Standards adopted by the technical committees are circulated to the member bodies for voting. Publication as an International Standard requires approval by at least 75 % of the member bodies casting a vote.

International Standard ISO 5897 was prepared by Technical Committee ISO/TC 22, *Road vehicles*, Subcommittee SC 17, *Visibility*.

This second edition cancels and replaces the first edition (ISO 5897:1987), of which it constitutes a technical revision.

Annex A of this International Standard is for information only.

© ISO 1998

All rights reserved. Unless otherwise specified, no part of this publication may be reproduced or utilized in any form or by any means, electronic or mechanical, including photocopying and microfilm, without permission in writing from the publisher.

International Organization for Standardization  
Case postale 56 • CH-1211 Genève 20 • Switzerland  
Internet central@iso.ch  
X.400 c=ch; a=400net; p=iso; o=isocs; s=central

Printed in Switzerland

## Introduction

This International Standard is one of a series of three International Standards covering demisting (ISO 5897), defrosting (ISO 5898) and washing and wiping (ISO 6255) systems for the rear-window of passenger cars.

Tests on defrosting, washing, demisting and wiping systems for the windscreen of passenger cars are covered respectively in ISO 3468, ISO 3469, ISO 3470 and ISO 9619.

.....



# Passenger cars — Rear-window demisting system — Test method

## 1 Scope

This International Standard specifies a test method for passenger car (as defined in ISO 3833) rear-window demisting systems, when these are fitted.

It does not specify reference areas or levels of performance, since at the time it was prepared there was insufficient data available.

NOTE — It may be possible to carry out tests of a similar nature on windscreen and rear-window simultaneously.

The test method is intended for types of power-driven vehicles which do not differ from one another with respect to the following essential features which affect demisting performance:

- a) shape, size and surface characteristics of the rear-window;
- b) characteristics of each system designated by the vehicle manufacturer as contributing to the demisting of the rear-window;
- c) number of seats as designated by the vehicle manufacturer.

## 2 Normative references

The following standards contain provisions which, through reference in this text, constitute provisions of this International Standard. At the time of publication, the editions indicated were valid. All standards are subject to revision, and parties to agreements based on this International Standard are encouraged to investigate the possibility of applying the most recent editions of the standards indicated below. Members of IEC and ISO maintain registers of currently valid International Standards.

ISO 1176:1990, *Road vehicles — Masses — Vocabulary and codes*.

ISO 3833:1977, *Road vehicles — Types — Terms and definitions*.

ISO 6549:—<sup>1)</sup>, *Road vehicles — Procedure of H-point determination*.

## 3 Definitions

For the purposes of this International Standard, the following definitions apply.

---

1) To be published. (Revision of ISO 6549:1980).

**3.1 mist:** Film of condensate on interior of glazed surface.

**3.2 demisting:** Elimination of mist from the rear-window by the operation of the rear-window demisting system.

**3.3 rear-window demisting system:** Device, or combination of devices, intended by the vehicle manufacturer to remove mist from the rear-window and thus restore visibility, together with the necessary accessories and controls.

**3.4 road load:** Power output, as indicated by the vehicle manufacturer, required to move the vehicle on a flat road at a specified speed through still air at 20 °C with a standard barometric pressure of 1 013 mbar, the mass of the vehicle being equal to the complete vehicle kerb mass, in accordance with ISO 1176 (ISO-M06) plus 150 kg, i.e. representing the driver and passenger on the front seats.

NOTE — Road load takes account of transmission friction, rolling friction and air resistance.

## 4 Verification of performance of rear-window demisting system

### 4.1 Test requirements

When tested in accordance with this clause, the demisting system shall be capable of demisting specified percentages of specified areas within a stated time from the start of the test.

If the vehicle fails the test at the first attempt, a second attempt may be made on the same vehicle at the discretion of the vehicle manufacturer, and the arithmetical average of the demisted areas obtained at the two attempts shall be taken as the result.

### 4.2 Test equipment

**4.2.1 Environmental chamber** large enough to contain the complete vehicle capable of ensuring that a temperature of  $-3\text{ °C} \pm 1\text{ °C}$ .

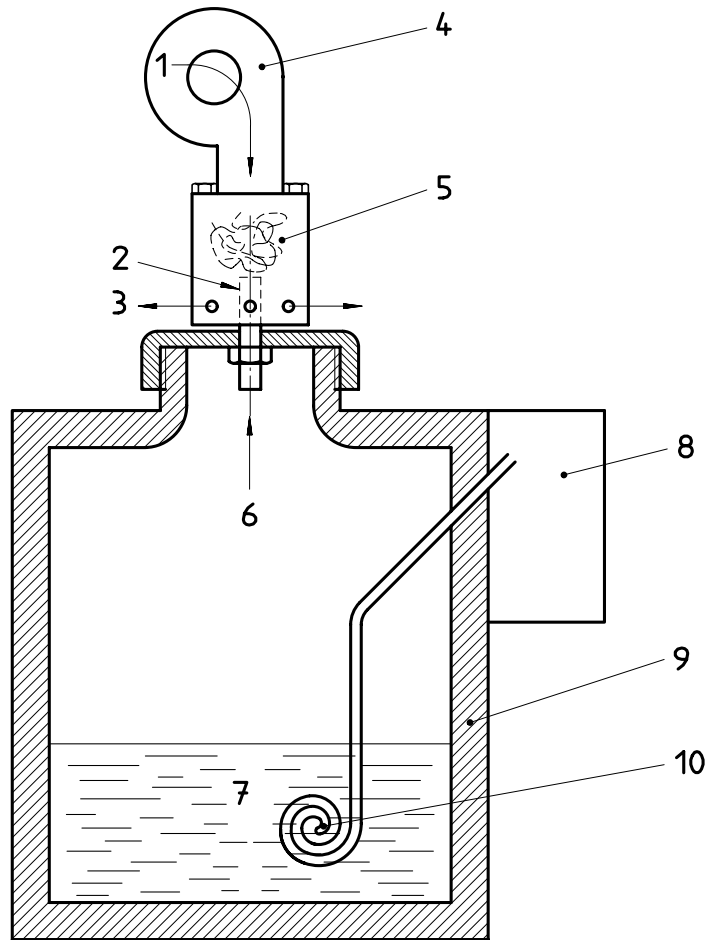
**4.2.2 Steam generator** (see figure 1), having following characteristics:

- a) a water capacity of at least 2,25 l;
- b) the heat loss at boiling point not exceeding 75 W at a temperature of  $-3\text{ °C} \pm 1\text{ °C}$ ;
- c) fan operating at a capacity of 0,07 m<sup>3</sup>/min to 0,10 m<sup>3</sup>/min at 50 Pa static pressure;
- d) device to regulate the steam output by controlling the input power to the heating element.

Dimensions and materials of the generator parts shall meet the requirements given in table 1.

**Table 1 — Dimensions and materials of the steam generator**

Component	Dimensions	Material
Nozzle	a) Length 100 mm b) Inside diameter 15 mm	Brass
Dispersion chamber	a) Inside length 115 mm b) Inside diameter 75 mm c) Six evenly spaced holes of 6,3 mm diameter, 25 mm above the bottom of the dispersion chamber interior	Brass tube of 0,38 mm wall thickness
Heating element	Capacity 700 W to 800 W	

**Key**

- 1 Air
- 2 Nozzle
- 3 Air and steam
- 4 Centrifugal fan
- 5 Dispersion chamber
- 6 Steam
- 7 Water
- 8 Regulator
- 9 Insulated container
- 10 Heating element

**Figure 1 — Schematic drawing of a typical steam generator**

The generator shall be calibrated at  $-3\text{ °C} \pm 1\text{ °C}$  to give output up to  $n \times (70 \pm 5)$  g/h, where  $n$  is the number of seats designated by the vehicle manufacturer.

The generator with water is calibrated by weighing before and after 1 h of operation at the set temperature. A minimum of four points covering the range of seats shall be obtained. The heat input to achieve the above shall be made by using a regulating device as indicated in 4.2.2 d). The calibration shall be presented in the form of a graph or table of steam output against input power to the heating element.

### 4.3 Test preparation

**4.3.1** All necessary vehicle preparation, for example cleaning and marking, if required, of the rear-window and installation of instrumentation necessary to ensure a satisfactory test and to record the demisting test conditions, shall be carried out prior to the temperature stabilization referred to in 4.3.5.

**4.3.2** Thoroughly degrease the outer and inner glazed surfaces using methylated spirit or another appropriate degreasing agent. When dry, apply a solution of ammonia in water with a volume fraction of 3 % to 10 %, allow to dry and finally wipe with a dry cotton cloth or paper towel that contains no additive.

**4.3.3** Check that the environmental chamber (4.2.1) is at or below the specified test temperature before the start of the stabilizing period.

**4.3.4** Place the vehicle in the environmental chamber. Maintain the temperature in the chamber at  $-3\text{ °C} \pm 1\text{ °C}$ .

NOTE — The tests are conducted at a temperature of  $-3\text{ °C} \pm 1\text{ °C}$  since this is the practical minimum temperature at which mist as defined in 3.1 can normally occur.

**4.3.5** Maintain the vehicle, with the engine stopped, at the specified test temperature for a stabilizing period of not less than 10 h. This period may be shortened if instruments are available to check that the engine coolant, lubricant and vehicle internal air are stabilized at the specified test temperature.

### 4.4 Test conditions

**4.4.1** The environmental chamber temperature shall be measured at the height of the middle of the windscreen, at a location such that the temperature is not significantly affected by heat from the vehicle under test or by cold air entering the chamber.

**4.4.2** The horizontal component of the velocity of the air cooling the chamber shall be measured immediately prior to the test at a point located on the longitudinal centreline of the vehicle 300 mm ahead of the base of the windscreen at a level half-way between the top and bottom of the windscreen. The value of this component shall be as low as possible and in any case less than 8 km/h.

**4.4.3** The engine bonnet (hood), doors, windows and vents, except the air intakes and outlets of the heating and ventilating system, shall be closed during the misting period.

**4.4.4** The mist shall be produced by means of the steam generator described in 4.2.2 or by any other means giving an equivalent result.

**4.4.5** Fill the container of the steam generator with water. Start the steam generator outside the vehicle, bringing up to boiling as soon as possible. The steam generator, containing at least 1,7 l of water, shall be stabilized to generate  $70\text{ g/h} \pm 5\text{ g/h}$  of steam for each seat designated by the vehicle manufacturer.

**4.4.6** The steam generator shall be located with its outlets in the median plane on the vehicle at a height of  $580\text{ mm} \pm 80\text{ mm}$  above the R point of the driver's seat as defined in ISO 6549. It shall normally be placed immediately behind the front seatback, with the seatback, if adjustable, set at the angle specified by the vehicle manufacturer. Where the design of the vehicle precludes this location, the generator may be placed in the nearest convenient position to that described above.



## 4.5 Test method

**4.5.1** Install the generator in the vehicle, set and maintain the reduced power level appropriate to cause the beginning of boiling. Increase the power setting as indicated in 4.4.5 and allow to steam for 5 min after which time one or two observers shall enter the vehicle; the output of the generator shall be reduced by  $70 \text{ g/h} \pm 5 \text{ g/h}$  for each observer.

**4.5.2** Set the vehicle demister controls as recommended by the vehicle manufacturer.

**4.5.3** Start the engine as indicated by the vehicle manufacturer 1 min after the observer(s) has (have) entered the vehicle. The test commences when the engine has been started and is running its own power.

At the discretion of the vehicle manufacturer, one or two windows may be open a total distance of 25 mm depending on the mode of operation as indicated by the vehicle manufacturer during the demisting period.

**4.5.4** The conditions specified in 4.5.4.1 to 4.5.4.3 shall apply throughout the test period.

**4.5.4.1** During the test period, taking account of the individual vehicle characteristics, run the engine:

- a) either at the engine speed indicated by the vehicle manufacturer, but never exceeding 50 % of the speed corresponding to maximum power;
- b) or, if the vehicle manufacturer so desires, on a chassis dynamometer, with the engine speed and load not exceeding the speed and equivalent road load at 40 km/h, and in the gear and with the tyre inflation pressures recommended by the vehicle manufacturer for the road load.

**4.5.4.2** If the vehicle battery is used, it shall be fully charged; an external power source may supplement or replace the vehicle battery to meet the requirements of 4.5.4.3.

**4.5.4.3** The voltage at the terminals of the demisting device shall be not more than 20 % above the nominal rating of the system.

**4.5.5** At the end of the test, record the demisted area (see 4.1) using the following method.

Place a piece of heavy, clear tracing paper on the outside of the glazed surface and trace on it both the rear-window outline and the specified area. Then trace the demisted area and calculate the percentage of the specified area that was cleared during the test.

NOTE — It is recommended that the cleared area be outlined on the glazed surface before transferring it to the tracing paper.

.....

## Annex A (informative)

### Bibliography

- [1] ISO 3468:1989, *Passenger cars — Windscreen defrosting systems — Test method.*
- [2] ISO 3469:1989, *Passenger cars — Windscreen washing systems — Test methods.*
- [3] ISO 3470:1989, *Passenger cars — Windscreen demisting systems — Test method.*
- [4] ISO 5898:1997, *Passenger cars — Rear-window defrosting systems — Test method.*
- [5] ISO 6255:1997, *Passenger cars — Rear-window washing and wiping systems — Test methods*
- [6] ISO 9619:1992, *Passenger cars — Windscreen wiping systems — Test method.*

www.iso.org



---

---

**ICS 43.040.60**

**Descriptors:** Road vehicles, motor vehicles, private cars, rear part, windows, demisters, tests.

Price based on 6 pages

---

---