

INTERNATIONAL STANDARD

ISO
5855-1

Third edition
1999-10-15

Aerospace — MJ threads — **Part 1:** **General requirements**

Aéronautique et espace — Filetage MJ —
Partie 1: Exigences générales



Reference number
ISO 5855-1:1999(E)

Foreword

ISO (the International Organization for Standardization) is a worldwide federation of national standards bodies (ISO member bodies). The work of preparing International Standards is normally carried out through ISO technical committees. Each member body interested in a subject for which a technical committee has been established has the right to be represented on that committee. International organizations, governmental and non-governmental, in liaison with ISO, also take part in the work. ISO collaborates closely with the International Electrotechnical Commission (IEC) on all matters of electrotechnical standardization.

International Standards are drafted in accordance with the rules given in the ISO/IEC Directives, Part 3.

Draft International Standards adopted by the technical committees are circulated to the member bodies for voting. Publication as an International Standard requires approval by at least 75 % of the member bodies casting a vote.

International Standard ISO 5855-1 was prepared by Technical Committee ISO/TC 20, *Aircraft and space vehicles*, Subcommittee SC 4, *Aerospace fastener systems*.

This third edition cancels and replaces the second edition (ISO 5855-1:1988), of which it constitutes a technical revision.

ISO 5855 consists of the following parts, under the general title *Aerospace — MJ threads*:

- *Part 1: General requirements*
- *Part 2: Limit dimensions for bolts and nuts*
- *Part 3: Limit dimensions for fittings for fluid systems*

© ISO 1999

All rights reserved. Unless otherwise specified, no part of this publication may be reproduced or utilized in any form or by any means, electronic or mechanical, including photocopying and microfilm, without permission in writing from the publisher.

International Organization for Standardization
Case postale 56 • CH-1211 Genève 20 • Switzerland
Internet iso@iso.ch

Printed in Switzerland

Aerospace — MJ threads —

Part 1: General requirements

1 Scope

This part of ISO 5855 specifies the general requirements for MJ threads used in aerospace construction.

It determines the basic triangular profile for this type of thread and gives a system for designating the diameter and pitch combinations. For all diameters 1,6 mm to 300 mm, it offers in the form of tables the basic dimensions and tolerances for a selection of diameter and pitch combinations. It also provides the method of calculation for the dimensions and tolerances for any diameter and pitch combination not given in the tables, including threads with a diameter in excess of 300 mm.

For limit dimensions for bolts and nuts of nominal diameter 1,6 mm to 39 mm, see ISO 5855-2. For limit dimensions for fittings for fluid systems, see ISO 5855-3.

2 Normative reference

The following normative document contains provisions which, through reference in this text, constitute provisions of this part of ISO 5855. For dated references, subsequent amendments to, or revisions of, any of these publications do not apply. However, parties to agreements based on this part of ISO 5855 are encouraged to investigate the possibility of applying the most recent edition of the normative document indicated below. For undated references, the latest edition of the normative document referred to applies. Members of ISO and IEC maintain registers of currently valid International Standards.

ISO 965-1:1998, *ISO general-purpose metric screw threads — Tolerances — Part 1: Principles and basic data.*

3 Term and definition

For the purpose of this part of ISO 5855, the following term and definition apply.

3.1 basic profile

theoretical profile, in an axial plane, corresponding to the basic dimensions (without tolerances) of the thread, i.e. major diameter, pitch diameter and minor diameter

See Figure 1.

4 Basic profile

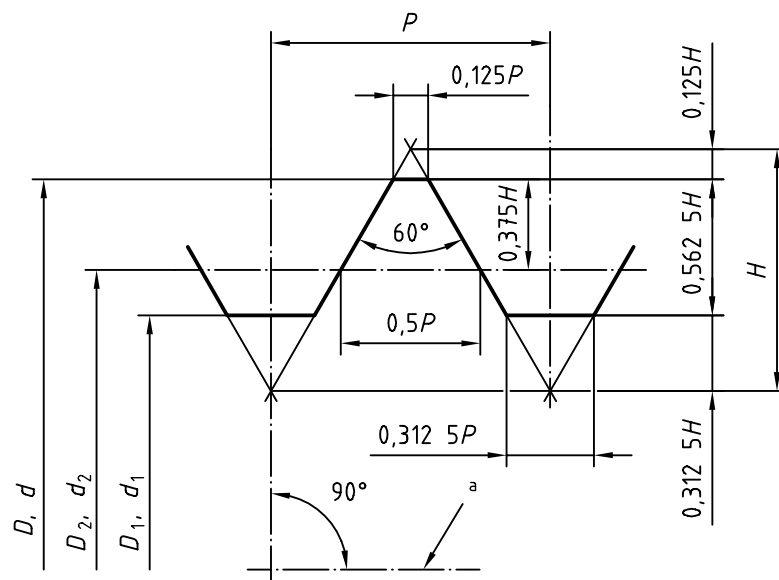
4.1 Symbols

See Figure 1.

4.2 Dimensions

See Figure 1 and Table 1.

Basic deviations shall be applied to the basic dimensions.



where

- D is the basic major diameter of internal thread
- D_2 is the basic pitch diameter of internal thread
- D_1 is the basic minor diameter of internal thread
- d is the basic major diameter of external thread
- d_2 is the basic pitch diameter of external thread
- d_1 is the basic minor diameter of external thread
- H is the height of fundamental triangle
- P is the pitch

^a Axis of thread

Figure 1 — Basic profile

Table 1 — Dimensions

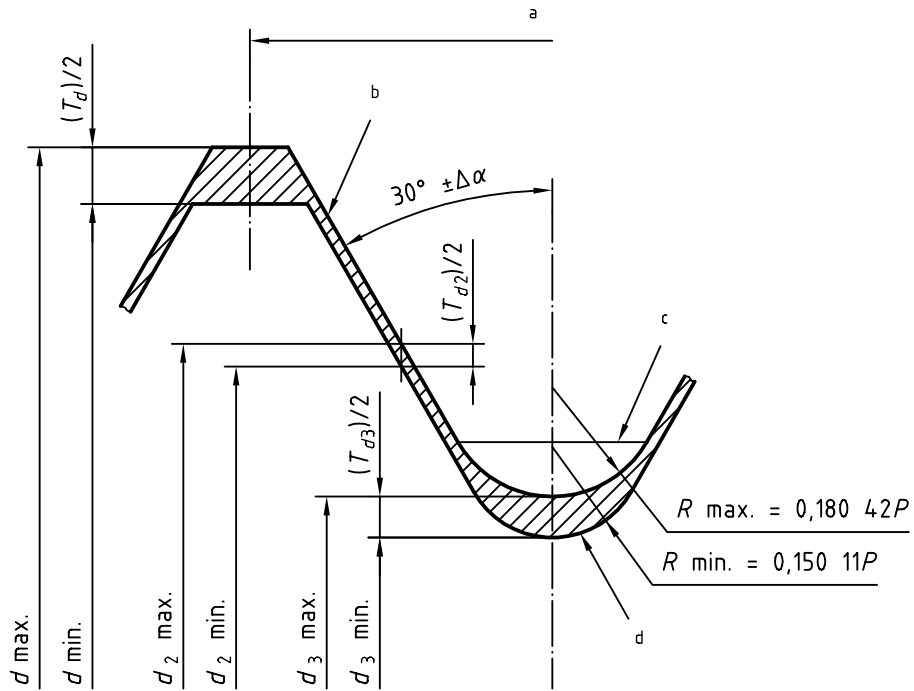
P	Dimensions in millimetres											
	0,125P	0,312 5P	H	0,125H	0,312 5H	0,375H	0,562 5H	0,583 33H	0,565 80P	0,75H	0,916 67H	1,125H
0,2	0,025	0,062 5	0,173 21	0,021 65	0,054 13	0,064 95	0,097 43	0,101 04	0,113 16	0,129 904	0,158 77	0,194 85
0,25	0,031 25	0,078 13	0,216 51	0,027 06	0,067 66	0,081 19	0,121 79	0,126 30	0,141 45	0,162 380	0,198 46	0,243 57
0,35	0,043 75	0,109 38	0,303 11	0,037 89	0,094 72	0,113 67	0,170 5	0,176 81	0,198 03	0,227 332	0,277 85	0,341
0,4	0,05	0,125	0,346 41	0,043 3	0,108 25	0,129 9	0,194 86	0,202 07	0,226 32	0,259 808	0,317 54	0,389 71
0,45	0,056 25	0,140 62	0,389 71	0,048 71	0,121 78	0,146 14	0,219 21	0,227 33	0,254 61	0,292 283	0,357 24	0,438 43
0,5	0,062 5	0,156 25	0,433 01	0,054 13	0,135 32	0,162 38	0,243 57	0,252 59	0,282 9	0,324 759	0,396 93	0,487 14
0,6	0,075	0,187 5	0,519 62	0,064 95	0,162 38	0,194 86	0,292 28	0,303 11	0,339 48	0,389 711	0,476 32	0,584 57
0,7	0,087 5	0,218 75	0,606 22	0,075 78	0,189 44	0,227 33	0,341	0,353 63	0,396 06	0,454 663	0,555 70	0,682
0,75	0,093 75	0,234 38	0,649 52	0,081 19	0,202 97	0,243 57	0,365 36	0,378 88	0,425 35	0,487 139	0,595 39	0,730 71
0,8	0,1	0,25	0,692 82	0,086 6	0,216 51	0,259 81	0,389 71	0,404 14	0,452 64	0,519 615	0,635 09	0,779 42
1	0,125	0,312 5	0,866 03	0,108 25	0,270 63	0,324 76	0,487 14	0,505 18	0,565 8	0,649 519	0,793 86	0,974 28
1,25	0,156 25	0,390 62	1,082 53	0,135 32	0,338 29	0,405 95	0,608 92	0,631 47	0,707 25	0,811 899	0,992 32	1,217 85
1,5	0,187 5	0,468 75	1,299 04	0,162 38	0,405 95	0,487 14	0,730 71	0,757 78	0,848 7	0,974 278	1,190 79	1,461 42
1,75	0,218 75	0,546 88	1,515 54	0,189 44	0,473 6	0,568 33	0,852 5	0,884 06	0,990 15	1,136 658	1,389 25	1,704 99
2	0,25	0,625	1,732 05	0,216 51	0,541 27	0,649 52	0,974 28	1,010 36	1,131 6	1,299 038	1,587 72	1,948 56
2,5	0,312 5	0,781 25	2,165 06	0,270 63	0,676 58	0,811 9	1,217 85	1,262 95	1,414 5	1,623 797	1,984 65	2,435 7
3	0,375	0,937 5	2,598 08	0,324 75	0,811 89	0,974 28	1,461 42	1,515 54	1,697 4	1,948 557	2,381 58	2,922 84
3,5	0,437 5	1,093 75	3,031 09	0,378 88	0,947 21	1,136 66	1,704 99	1,768 13	1,980 3	2,273 316	2,778 51	3,409 98
4	0,5	1,25	3,464 1	0,433	1,082 52	1,299 04	1,948 56	2,020 72	2,263 2	2,598 076	3,175 44	3,897 12
4,5	0,562 5	1,406 25	3,897 11	0,487 13	1,217 84	1,461 42	2,192 13	2,273 31	2,546 1	2,922 835	3,572 37	4,384 26
5	0,625	1,562 5	4,330 13	0,541 25	1,353 15	1,623 8	2,435 7	2,525 9	2,829	3,247 595	3,969 3	4,871 4
5,5	0,687 5	1,718 75	4,763 14	0,595 38	1,488 47	1,786 18	2,679 27	2,778 49	3,111 9	3,572 354	4,366 23	5,358 54
6	0,75	1,875	5,196 15	0,649 5	1,623 78	1,948 56	2,922 84	3,031 08	3,394 8	3,897 114	4,763 16	5,845 68

5 Position and form of limit profiles

5.1 External threads

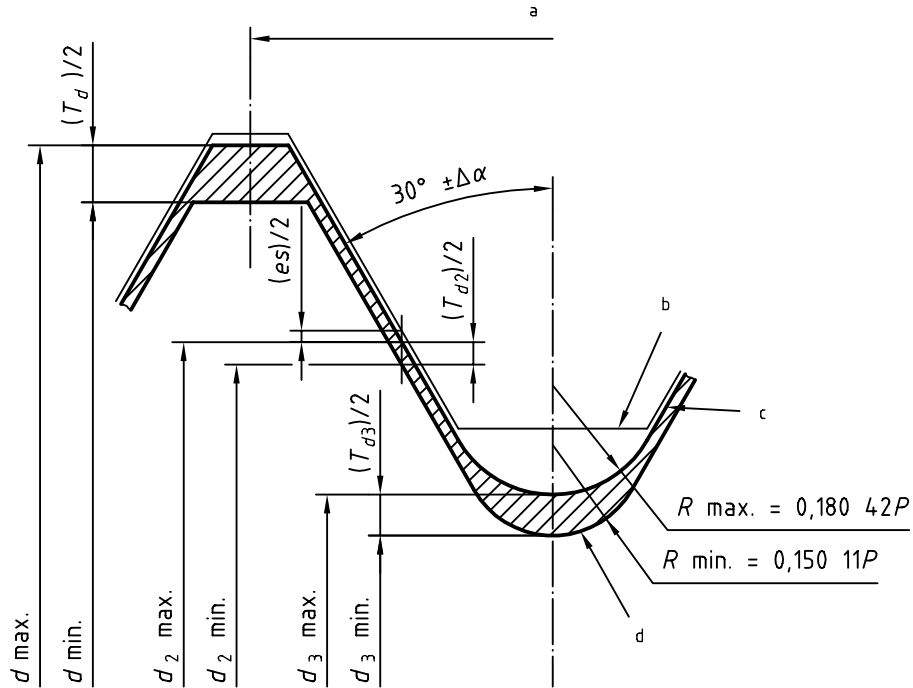
The actual thread profile is located between the limit profiles shown in Figures 2 and 3.

Within these limits, any continuous, non-reversing curve is permitted, provided that it comprises radii no less than $0,150\ 11P$.



- a Pitch $\pm \Delta P$
- b Basic and maximum profiles
- c Basic profile
- d Minimum profile

Figure 2 — Limit profiles for external threads (clearance may be nil)



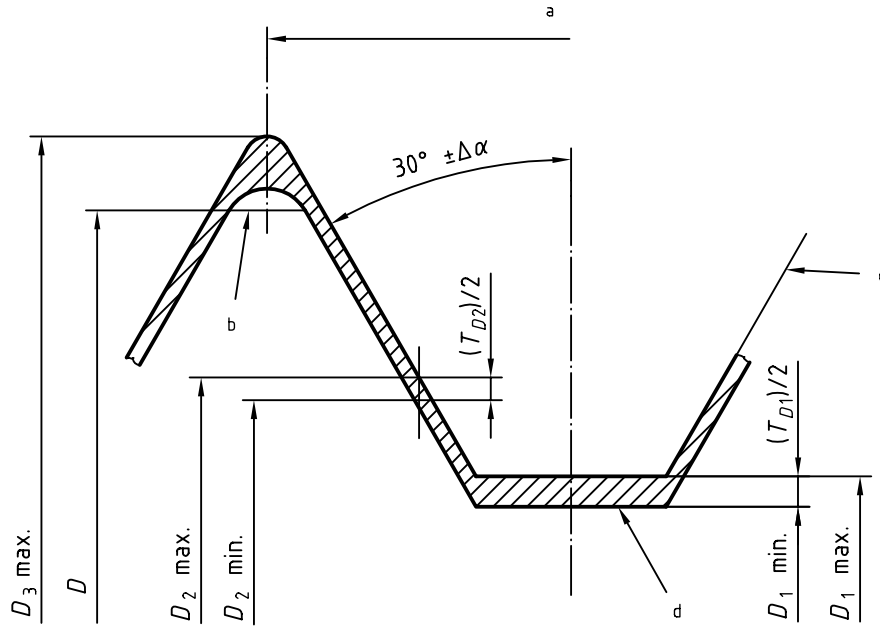
- a Pitch ± ΔP
- b Basic profile
- c Maximum profile
- d Minimum profile

Figure 3 — Limit profiles for external threads (systematic clearance)

5.2 Internal threads

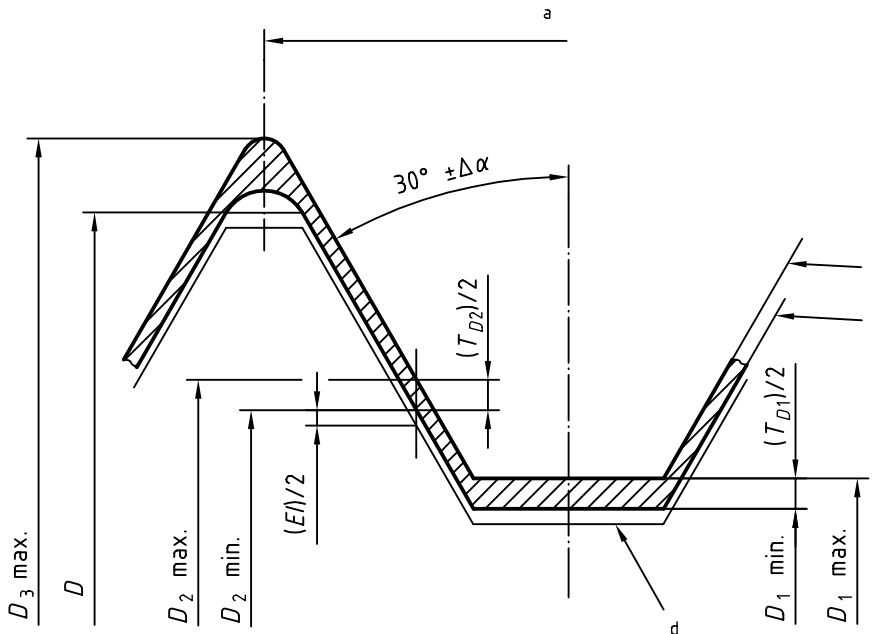
The actual thread profile is located between the limit profiles shown in Figures 4 and 5.

The form of the connection between the root (corresponding to diameter D_3) and the thread flanks is not mandatory. The root is generally rounded beyond the nominal diameter. The radius is not specified.



- a Pitch $\pm \Delta P$
- b Basic profile
- c Maximum profile
- d Basic and minimum profiles

Figure 4 — Limit profiles for internal threads (clearance may be nil)



- a Pitch $\pm \Delta P$
- b Maximum profile
- c Minimum profile
- d Basic profile

Figure 5 — Limit profiles for internal threads (systematic clearance)

6 Tolerances

6.1 Tolerances on diameters

The grades, positions and basic upper and lower (*es* and *EI*) tolerance deviations (see Figures 3 and 5) shall be as specified in ISO 965-1.

6.2 Tolerances on other parameters

Tolerances on pitch ΔP and on the half flank angle $\Delta\alpha$ shall be determined from the formulae given in clause 10.

Within the limits of the thread pitch diameter, and over the chosen length of measurement, the sum of the effects of variations in the pitch, flank angle, helix, taper and circularity and all other variations affecting the form of the thread shall not exceed 0,5 times the tolerance on the pitch diameter. The following information is therefore given for information only.

The thread pitch may vary by $\pm \Delta P$ from the basic profile, but the total variation between any two threads located within the length of engagement should not exceed ΔP .

6.3 Provisions for coated threads

In order to reduce the number of manufacturing and inspection tools, it is recommended that, where possible, standardized tolerance classes for threads (grade and position) as specified in ISO 965-1 be used.

7 Limit dimensions

The limit dimensions, shown in Figures 2 to 5, shall be determined from the formulae given in clause 10.

8 Nominal diameter and pitch combinations

The threads in 5.1 and 5.2 and indicated in Table 2 meet most requirements. If other diameter and pitch combinations or threads larger than 300 mm in diameter are required, then these shall be calculated using the formulae in clause 10.

9 Designation

9.1 General

The threads specified in this part of ISO 5855 are designated by:

- M, a letter identifying metric threads;
- J, a letter symbolizing the thread profile;
- the nominal diameter \times pitch, expressed in millimetres;
- the tolerance class on pitch diameter, followed by the tolerance class on the major diameter or on the minor diameter¹⁾.

¹⁾ If a single tolerance class is given, it refers to the pitch diameter d_2 or D_2 and the major diameter d or minor diameter D_1 .

EXAMPLE 1 An external MJ thread, of nominal diameter 6 mm, pitch 1 mm and tolerance classes 4h6h is designated as follows:

MJ6 × 1-4h6h

EXAMPLE 2 An internal MJ thread, of nominal diameter 6 mm, pitch 1 mm and tolerance classes 4H5H is designated as follows:

MJ6 × 1-4H5H

9.2 Special cases

MJ threads not specified in this part of ISO 5855 are special threads.

They shall be calculated in accordance with clause 10 and designated by

- MJ, see 9.1;
- S, a letter symbolizing a special thread;
- all the information necessary to produce the thread.

EXAMPLE 1 An external MJ thread, of nominal diameter 13 mm, pitch 1 mm and tolerance class 4h²⁾ is designated as follows:

MJS13 × 1-4h

	13
Major diameter d =	12,888 mm
	12,350
Pitch diameter d_2 =	12,275 mm
	11,845
Minor diameter d_3 =	11,709 mm
	0,18
Root radius =	0,15 mm

EXAMPLE 2 An internal MJ thread of nominal diameter 13 mm, pitch 1 mm and tolerance class 4H5H, is designated as follows:

MJS13 × 1-4H5H

Major diameter D_3 max. =	13,244 mm
	12,450
Pitch diameter D_2 =	12,350 mm
	12,216
Minor diameter D_1 =	12,026 mm

²⁾ If a single tolerance class is given, it refers to the pitch diameter d_2 or D_2 and the major diameter d or minor diameter D_1 .

9.3 Left-hand threads

In the case of left-hand threads, the designation given in 9.1 and 9.2 is followed by the letters LH (Left-Hand).

9.3.1 General

EXAMPLE 1 **MJ6 × 1-4h6h-LH**

EXAMPLE 2 **MJ6 × 1-4H5H-LH**

9.3.2 Special cases

EXAMPLE 1 **MJS13 × 1-4h-LH**

EXAMPLE 2 **MJS13 × 1-4H5H-LH**

10 Calculation formulae

10.1 External threads (see Figures 2 and 3)

$$d \text{ max.} = d - es$$

es: in accordance with ISO 965-1

$$d \text{ min.} = d \text{ max.} - T_d$$

T_d : in accordance with ISO 965-1 or as defined by part designer

$$d_2 \text{ max.} = d_2 = d \text{ max.} - 0,649\ 519P$$

0,649 519*P*: see Table 1.

$$d_2 \text{ min.} = d_2 \text{ max.} - T_{d2}$$

T_{d2} : in accordance with ISO 965-1 or as defined by part designer

$$d_3 \text{ max.} = d_3 = d_2 \text{ max.} - 0,505\ 18P$$

0,505 18*P*: see Table 1.

$$d_3 \text{ min.} = d_2 \text{ min.} - 0,565\ 80P$$

0,565 80*P*: see Table 1.

$$\Delta P = 0,4\ T_{d2}/1,732\ 1$$

$$\Delta\alpha \text{ is such that } \tan(\Delta\alpha) = 0,3\ T_{d2}/1,125P$$

Tables 3 and 4 give information for the limit dimensions for respectively 4h6h and 4g6g external threads.

Table 5 gives information for the root radii for external threads.

Table 6 gives information for the maximum permissible deviations on pitch (lead) and on half flank angle.

10.2 Internal threads (see Figures 4 and 5)

$$D_1 \text{ min.} = D - 0,974\ 28P + EI$$

0,974 28P: see Table 1.

EI: in accordance with ISO 965-1

$$D_1 \text{ max.} = D_1 \text{ min.} + T_{D1}$$

T_{D1} : in accordance with ISO 965-1 or as defined by part designer

$$D_2 \text{ min.} = D_2 = D - 0,649\ 519P + EI$$

0,649 519P: see Table 1.

$$D_2 \text{ max.} = D_2 \text{ min.} + T_{D2}$$

T_{D2} : in accordance with ISO 965-1 or as defined by part designer

$$D_3 \text{ max.} = D_2 \text{ max.} + 0,793\ 86P$$

0,793 86P: see Table 1.

$$\Delta P = 0,4T_{D2}/1,732\ 1$$

$$\Delta\alpha \text{ is such that } \tan(\Delta\alpha) = 0,3T_{D2}/1,125P$$

Table 7 gives information for the limit dimensions for internal threads.

Table 6 gives information for the maximum permissible deviations on pitch (lead) and on half flank angle.

10

Table 2 — Nominal diameter and pitch combinations

Dimensions in millimetres

$D \times P$	$D \times P$	$D \times P$	$D \times P$	$D \times P$	$D \times P$	$D \times P$
1,6 × 0,35	17 × 1	39 × 2	62 × 2	85 × 3	140 × 6	220 × 3
1,8 × 0,35	17 × 1,5	39 × 3	62 × 3	85 × 4	145 × 2	220 × 4
2 × 0,4	18 × 1	39 × 4	62 × 4	85 × 6	145 × 3	220 × 6
2,2 × 0,45	18 × 1,5	40 × 1,5	64 × 1,5	88 × 1,5	145 × 4	225 × 3
2,5 × 0,35	18 × 2	40 × 2	64 × 2	90 × 1,5	145 × 6	225 × 4
2,5 × 0,45	18 × 2,5	40 × 3	64 × 3	90 × 2	150 × 2	225 × 6
3 × 0,35	20 × 1	42 × 1,5	64 × 4	90 × 3	150 × 3	230 × 3
3 × 0,5	20 × 1,5	42 × 2	64 × 6	90 × 4	150 × 4	230 × 4
3,5 × 0,35	20 × 2	42 × 3	65 × 1,5	90 × 6	150 × 6	230 × 6
3,5 × 0,6	20 × 2,5	42 × 4	65 × 2	95 × 2	155 × 3	235 × 3
4 × 0,5	22 × 1	42 × 4,5	65 × 3	95 × 3	155 × 4	235 × 4
4 × 0,7	22 × 1,5	45 × 1,5	65 × 4	95 × 4	155 × 6	235 × 6
4,5 × 0,5	22 × 2	45 × 2	68 × 1,5	95 × 6	160 × 3	240 × 3
4,5 × 0,75	22 × 2,5	45 × 3	68 × 2	100 × 2	160 × 4	240 × 4
5 × 0,5	24 × 1	45 × 4	68 × 3	100 × 3	160 × 6	240 × 6
5 × 0,8	24 × 1,5	45 × 4,5	68 × 4	100 × 4	165 × 3	245 × 3
5,5 × 0,5	24 × 2	48 × 1,5	68 × 6	100 × 6	165 × 4	245 × 4
6 × 0,75	24 × 3	48 × 2	70 × 1,5	105 × 2	165 × 6	245 × 6
6 × 1	25 × 1	48 × 3	70 × 2	105 × 3	170 × 3	250 × 3
7 × 0,75	25 × 1,5	48 × 4	70 × 3	105 × 4	170 × 4	250 × 4
7 × 1	25 × 2	48 × 5	70 × 4	105 × 6	170 × 6	250 × 6
8 × 0,75	26 × 1,5	50 × 1,5	70 × 6	110 × 2	175 × 3	255 × 4
8 × 1	27 × 1	50 × 2	72 × 1,5	110 × 3	175 × 4	255 × 6
8 × 1,25	27 × 1,5	50 × 3	72 × 2	110 × 4	175 × 6	260 × 4
9 × 0,75	27 × 2	52 × 1,5	72 × 3	110 × 6	180 × 3	260 × 6
9 × 1	27 × 3	52 × 2	72 × 4	115 × 2	180 × 4	265 × 4
9 × 1,25	28 × 1	52 × 3	72 × 6	115 × 3	180 × 6	265 × 6
10 × 0,75	28 × 1,5	52 × 4	75 × 1,5	115 × 4	185 × 3	270 × 4
10 × 1	28 × 2	52 × 5	75 × 2	115 × 6	185 × 4	270 × 6
10 × 1,25	30 × 1	55 × 1,5	75 × 3	120 × 2	185 × 6	275 × 4
10 × 1,5	30 × 1,5	55 × 2	75 × 4	120 × 3	190 × 3	275 × 6
11 × 0,75	30 × 2	55 × 3	76 × 1,5	120 × 4	190 × 4	280 × 4
11 × 1	30 × 3	55 × 4	76 × 3	120 × 6	190 × 6	280 × 6
11 × 1,25	30 × 3,5	56 × 1,5	76 × 4	125 × 2	195 × 3	285 × 4
11 × 1,5	32 × 1,5	56 × 2	76 × 6	125 × 3	195 × 4	285 × 6
12 × 1	32 × 2	56 × 3	78 × 1,5	125 × 4	195 × 6	290 × 4
12 × 1,25	33 × 1,5	56 × 4	78 × 2	125 × 6	200 × 3	290 × 6
12 × 1,5	33 × 2	56 × 5,5	78 × 3	130 × 2	200 × 4	295 × 4
12 × 1,75	33 × 3	58 × 1,5	80 × 1,5	130 × 3	200 × 6	295 × 6
14 × 1	33 × 3,5	58 × 2	80 × 2	130 × 4	205 × 3	300 × 4
14 × 1,25	35 × 1,5	58 × 3	80 × 3	130 × 6	205 × 4	300 × 6
14 × 1,5	35 × 2	58 × 4	80 × 4	135 × 2	205 × 6	
14 × 2	36 × 1,5	60 × 1,5	80 × 6	135 × 3	210 × 3	
15 × 1	36 × 2	60 × 2	82 × 1,5	135 × 4	210 × 4	
15 × 1,5	36 × 3	60 × 3	82 × 2	135 × 6	210 × 6	
16 × 1	36 × 4	60 × 4	82 × 3	140 × 2	215 × 3	
16 × 1,5	38 × 1,5	60 × 5,5	85 × 1,5	140 × 3	215 × 4	
16 × 2	39 × 1,5	62 × 1,5	85 × 2	140 × 4	215 × 6	

Table 3 — Limit dimensions for 4h6h external threads

Dimensions in millimetres

Thread designation	Major diameter			Pitch diameter			Minor diameter		
	d		T_d (6h) ^a	d_2		T_{d2} (4h) ^a	d_3		T_{d3}
	max.	min.		max.	min.		max.	min.	
MJ1,6 × 0,35-4h6h	1,600	1,515	0,085	1,373	1,333	0,04	1,196	1,135	0,061
MJ1,8 × 0,35-4h6h	1,800	1,715	0,085	1,573	1,533	0,04	1,396	1,335	0,061
MJ2 × 0,4-4h6h	2,000	1,905	0,095	1,740	1,698	0,042	1,538	1,472	0,066
MJ2,2 × 0,45-4h6h	2,2	2,1	0,1	1,908	1,863	0,045	1,680	1,608	0,072
MJ2,5 × 0,35-4h6h	2,500	2,415	0,085	2,273	2,233	0,04	2,096	2,035	0,061
MJ2,5 × 0,45-4h6h	2,5	2,4	0,1	2,208	2,163	0,045	1,980	1,908	0,072
MJ3 × 0,35-4h6h	3,000	2,915	0,085	2,773	2,731	0,042	2,596	2,533	0,063
MJ3 × 0,5-4h6h	3,000	2,894	0,106	2,675	2,627	0,048	2,423	2,345	0,078
MJ3,5 × 0,35-4h6h	3,500	3,415	0,085	3,273	3,231	0,042	3,096	3,033	0,063
MJ3,5 × 0,6-4h6h	3,500	3,375	0,125	3,110	3,057	0,053	2,807	2,718	0,089
MJ4 × 0,5-4h6h	4,000	3,894	0,106	3,675	3,627	0,048	3,423	3,344	0,078
MJ4 × 0,7-4h6h	4,00	3,86	0,14	3,545	3,489	0,056	3,192	3,094	0,098
MJ4,5 × 0,5-4h6h	4,500	4,394	0,106	4,175	4,127	0,048	3,923	3,844	0,078
MJ4,5 × 0,75-4h6h	4,50	4,36	0,14	4,013	3,957	0,056	3,634	3,533	0,101
MJ5 × 0,5-4h6h	5,000	4,894	0,106	4,675	4,627	0,048	4,423	4,344	0,078
MJ5 × 0,8-4h6h	5,00	4,85	0,15	4,48	4,42	0,06	4,076	3,968	0,108
MJ5,5 × 0,5-4h6h	5,500	5,394	0,106	5,175	5,127	0,048	4,923	4,844	0,078
MJ6 × 0,75-4h6h	6,00	5,86	0,14	5,513	5,450	0,063	5,134	5,026	0,108
MJ6 × 1-4h6h	6,00	5,82	0,18	5,350	5,279	0,071	4,845	4,713	0,132
MJ7 × 0,75-4h6h	7,00	6,86	0,14	6,513	6,450	0,063	6,134	6,026	0,108
MJ7 × 1-4h6h	7,00	6,82	0,18	6,350	6,279	0,071	5,845	5,713	0,132
MJ8 × 0,75-4h6h	8,00	7,86	0,14	7,513	7,450	0,063	7,134	7,026	0,108
MJ8 × 1-4h6h	8,00	7,82	0,18	7,350	7,279	0,071	6,845	6,713	0,132
MJ8 × 1,25-4h6h	8,000	7,788	0,212	7,188	7,113	0,075	6,557	6,406	0,151
MJ9 × 0,75-4h6h	9,00	8,86	0,14	8,513	8,450	0,063	8,134	8,026	0,108
MJ9 × 1-4h6h	9,00	8,82	0,18	8,350	8,279	0,071	7,845	7,713	0,132
MJ9 × 1,25-4h6h	9,000	8,788	0,212	8,188	8,113	0,075	7,557	7,406	0,151
MJ10 × 0,75-4h6h	10,00	9,86	0,14	9,513	9,450	0,063	9,134	9,026	0,108
MJ10 × 1-4h6h	10,00	9,82	0,18	9,350	9,279	0,071	8,845	8,713	0,132
MJ10 × 1,25-4h6h	10,000	9,788	0,212	9,188	9,113	0,075	8,557	8,406	0,151
MJ10 × 1,5-4h6h	10,000	9,764	0,236	9,026	8,941	0,085	8,268	8,092	0,176
MJ11 × 0,75-4h6h	11,00	10,86	0,14	10,513	10,450	0,063	10,134	10,026	0,108
MJ11 × 1-4h6h	11,00	10,82	0,18	10,350	10,279	0,071	9,845	9,713	0,132
MJ11 × 1,25-4h6h	11,000	10,788	0,212	10,188	10,113	0,075	9,557	9,406	0,151
MJ11 × 1,5-4h6h	11,000	10,764	0,236	10,026	9,941	0,085	9,268	9,092	0,176
MJ12 × 1-4h6h	12,00	11,82	0,18	11,350	11,275	0,075	10,845	10,710	0,136
MJ12 × 1,25-4h6h	12,000	11,788	0,212	11,188	11,103	0,085	10,557	10,396	0,161
MJ12 × 1,5-4h6h	12,000	11,764	0,236	11,026	10,936	0,09	10,268	10,087	0,181
MJ12 × 1,75-4h6h	12,000	11,735	0,265	10,863	10,768	0,095	9,979	9,778	0,201
MJ14 × 1-4h6h	14,00	13,82	0,18	13,350	13,275	0,075	12,845	12,710	0,136
MJ14 × 1,25-4h6h	14,000	13,788	0,212	13,188	13,103	0,085	12,557	12,396	0,161
MJ14 × 1,5-4h6h	14,000	13,764	0,236	13,026	12,936	0,09	12,268	12,087	0,181
MJ14 × 2-4h6h	14,00	13,72	0,28	12,701	12,601	0,1	11,691	11,469	0,221
MJ15 × 1-4h6h	15,00	14,82	0,18	14,350	14,275	0,075	13,845	13,710	0,136
MJ15 × 1,5-4h6h	15,000	14,764	0,236	14,026	13,941	0,085	13,268	13,092	0,176
MJ16 × 1-4h6h	16,00	15,82	0,18	15,350	15,275	0,075	14,845	14,710	0,136
MJ16 × 1,5-4h6h	16,000	15,764	0,236	15,026	14,936	0,09	14,268	14,087	0,181

Table 3 (continued)

Dimensions in millimetres

Thread designation	Major diameter			Pitch diameter			Minor diameter		
	d		T_d (6h) ^a	d_2		T_{d2} (4h) ^a	d_3		T_{d3}
	max.	min.		max.	min.		max.	min.	
MJ16 × 2-4h6h	16,00	15,72	0,28	14,701	14,601	0,1	13,691	13,469	0,221
MJ17 × 1-4h6h	17,00	16,82	0,18	16,350	16,275	0,075	15,845	15,710	0,136
MJ17 × 1,5-4h6h	17,000	16,764	0,236	16,0260	15,936	0,09	15,268	15,087	0,181
MJ18 × 1-4h6h	18,00	17,82	0,18	17,350	17,275	0,075	16,845	16,710	0,136
MJ18 × 1,5-4h6h	18,000	17,764	0,236	17,026	16,936	0,09	16,268	16,087	0,181
MJ18 × 2-4h6h	18,00	17,72	0,28	16,701	16,601	0,1	15,691	15,469	0,221
MJ18 × 2,5-4h6h	18,000	17,665	0,335	16,376	16,270	0,106	15,113	14,856	0,258
MJ20 × 1-4h6h	20,00	19,82	0,18	19,350	19,275	0,075	18,845	18,710	0,136
MJ20 × 1,5-4h6h	20,000	19,764	0,236	19,026	18,936	0,09	18,268	18,087	0,181
MJ20 × 2-4h6h	20,00	19,72	0,28	18,701	18,601	0,1	17,691	17,469	0,221
MJ20 × 2,5-4h6h	20,000	19,665	0,335	18,376	18,270	0,106	17,113	16,856	0,258
MJ22 × 1-4h6h	22,00	21,82	0,18	21,350	21,275	0,075	20,845	20,710	0,136
MJ22 × 1,5-4h6h	22,000	21,764	0,236	21,026	20,936	0,09	20,268	20,087	0,181
MJ22 × 2-4h6h	22,00	21,72	0,28	20,701	20,601	0,1	19,691	19,469	0,221
MJ22 × 2,5-4h6h	22,000	21,665	0,335	20,376	20,270	0,106	19,113	18,856	0,258
MJ24 × 1-4h6h	24,00	23,82	0,18	23,35	23,270	0,08	22,845	22,705	0,141
MJ24 × 1,5-4h6h	24,000	23,764	0,236	23,026	22,931	0,095	22,268	22,082	0,186
MJ24 × 2-4h6h	24,00	23,72	0,28	22,701	22,595	0,106	21,691	21,464	0,227
MJ24 × 3-4h6h	24,000	23,625	0,375	22,051	21,926	0,125	20,536	20,229	0,307
MJ25 × 1-4h6h	25,00	24,82	0,18	24,35	24,27	0,08	23,845	23,705	0,141
MJ25 × 1,5-4h6h	25,000	24,764	0,236	24,026	23,931	0,095	23,268	23,082	0,186
MJ25 × 2-4h6h	25,00	24,72	0,28	23,701	23,595	0,106	22,691	22,464	0,227
MJ26 × 1,5-4h6h	26,000	25,764	0,236	25,026	24,901	0,125	24,268	24,052	0,216
MJ27 × 1-4h6h	27,00	26,82	0,18	26,35	26,27	0,08	25,845	25,705	0,141
MJ27 × 1,5-4h6h	27,000	26,764	0,236	26,026	25,931	0,095	25,268	25,082	0,186
MJ27 × 2-4h6h	27,00	26,72	0,28	25,701	25,595	0,106	24,691	24,464	0,227
MJ27 × 3-4h6h	27,000	26,625	0,375	25,051	24,926	0,125	23,536	23,229	0,307
MJ28 × 1-4h6h	28,00	27,82	0,18	27,35	27,27	0,08	26,845	26,705	0,141
MJ28 × 1,5-4h6h	28,000	27,764	0,236	27,026	26,931	0,095	26,268	26,082	0,186
MJ28 × 2-4h6h	28,00	27,72	0,28	26,701	26,595	0,106	25,691	25,464	0,227
MJ30 × 1-4h6h	30,00	29,82	0,18	29,35	29,27	0,08	28,845	28,705	0,141
MJ30 × 1,5-4h6h	30,000	29,764	0,236	29,026	28,931	0,095	28,268	28,082	0,186
MJ30 × 2-4h6h	30,00	29,72	0,28	28,701	28,595	0,106	27,691	27,464	0,227
MJ30 × 3-4h6h	30,000	29,625	0,375	28,051	27,926	0,125	26,536	26,229	0,307
MJ30 × 3,5-4h6h	30,000	29,575	0,425	27,727	27,595	0,132	25,959	25,614	0,344
MJ32 × 1,5-4h6h	32,000	31,764	0,236	31,026	30,931	0,095	30,268	30,082	0,186
MJ32 × 2-4h6h	32,00	31,72	0,28	30,701	30,595	0,106	29,691	29,463	0,227
MJ33 × 1,5-4h6h	33,000	32,764	0,236	32,026	31,931	0,095	31,268	31,082	0,186
MJ33 × 2-4h6h	33,00	32,72	0,28	31,701	31,595	0,106	30,691	30,464	0,227
MJ33 × 3-4h6h	33,000	32,625	0,375	31,051	30,926	0,125	29,536	29,229	0,307
MJ33 × 3,5-4h6h	33,000	32,575	0,425	30,727	30,595	0,132	28,959	28,614	0,344
MJ35 × 1,5-4h6h	35,000	34,764	0,236	34,026	33,931	0,095	33,268	33,082	0,186
MJ35 × 2-4h6h	35,00	34,72	0,28	33,701	33,595	0,106	32,691	32,464	0,227
MJ36 × 1,5-4h6h	36,000	35,764	0,236	35,026	34,931	0,095	34,268	34,082	0,186
MJ36 × 2-4h6h	36,00	35,72	0,28	34,701	34,595	0,106	33,691	33,464	0,227
MJ36 × 3-4h6h	36,000	35,625	0,375	34,051	33,926	0,125	32,536	32,229	0,307
MJ36 × 4-4h6h	36,000	35,525	0,475	33,402	33,262	0,14	31,381	30,999	0,382

Table 3 (continued)

Dimensions in millimetres

Thread designation	Major diameter			Pitch diameter			Minor diameter		
	d			d_2			d_3		
	max.	min.	T_d (6h) ^a	max.	min.	T_{d2} (4h) ^a	max.	min.	T_{d3}
MJ38 × 1,5-4h6h	38,000	37,764	0,236	37,026	36,931	0,095	36,268	36,082	0,186
MJ39 × 1,5-4h6h	39,000	38,764	0,236	38,026	37,931	0,095	37,268	37,082	0,186
MJ39 × 2-4h6h	39,00	38,72	0,28	37,701	37,595	0,106	36,691	36,464	0,227
MJ39 × 3-4h6h	39,000	38,625	0,375	37,051	36,926	0,125	35,536	35,229	0,307
MJ39 × 4-4h6h	39,000	38,525	0,475	36,402	36,262	0,14	34,381	33,999	0,382
MJ40 × 1,5-4h6h	40,000	39,764	0,236	39,026	38,931	0,095	38,268	38,082	0,186
MJ40 × 2-4h6h	40,00	39,72	0,28	38,701	38,595	0,106	37,691	37,464	0,227
MJ40 × 3-4h6h	40,000	39,625	0,375	38,051	37,926	0,125	36,536	36,229	0,307
MJ42 × 1,5-4h6h	42,000	41,764	0,236	41,026	40,931	0,095	40,268	40,082	0,186
MJ42 × 2-4h6h	42,00	41,72	0,28	40,701	40,595	0,106	39,691	39,463	0,228
MJ42 × 3-4h6h	42,000	41,625	0,375	40,051	39,926	0,125	38,536	38,229	0,307
MJ42 × 4-4h6h	42,000	41,525	0,475	39,402	39,262	0,14	37,381	36,999	0,382
MJ42 × 4,5-4h6h	42,0	41,5	0,5	39,077	38,927	0,15	36,804	36,381	0,423
MJ45 × 1,5-4h6h	45,000	44,764	0,236	44,026	43,931	0,095	43,268	43,082	0,186
MJ45 × 2-4h6h	45,00	44,72	0,28	43,701	43,595	0,106	42,691	42,464	0,228
MJ45 × 3-4h6h	45,000	44,625	0,375	43,051	42,926	0,125	41,536	41,229	0,307
MJ45 × 4-4h6h	45,000	44,525	0,475	42,402	42,262	0,14	40,381	39,999	0,382
MJ45 × 4,5-4h6h	45,0	44,5	0,5	42,077	41,927	0,15	39,804	39,381	0,423
MJ48 × 1,5-4h6h	48,000	47,764	0,236	47,026	46,926	0,1	46,268	46,077	0,191
MJ48 × 2-4h6h	48,00	47,72	0,28	46,701	46,589	0,112	45,691	45,457	0,234
MJ48 × 3-4h6h	48,000	47,625	0,375	46,051	45,919	0,132	44,536	44,222	0,314
MJ48 × 4-4h6h	48,000	47,525	0,475	45,402	45,252	0,15	43,381	42,989	0,392
MJ48 × 5-4h6h	48,00	47,47	0,53	44,752	44,592	0,16	42,227	41,763	0,463
MJ50 × 1,5-4h6h	50,000	49,764	0,236	49,026	48,926	0,1	48,268	48,077	0,191
MJ50 × 2-4h6h	50,00	49,72	0,28	48,701	48,589	0,112	47,691	47,457	0,234
MJ50 × 3-4h6h	50,000	49,625	0,375	48,051	47,919	0,132	46,536	46,222	0,314
MJ52 × 1,5-4h6h	52,000	51,764	0,236	51,026	50,926	0,1	50,268	50,077	0,191
MJ52 × 2-4h6h	52,00	51,72	0,28	50,701	50,589	0,112	49,691	49,457	0,234
MJ52 × 3-4h6h	52,000	51,625	0,375	50,051	49,919	0,132	48,536	48,222	0,314
MJ52 × 4-4h6h	52,000	51,525	0,475	49,402	49,252	0,15	47,381	46,989	0,392
MJ52 × 5-4h6h	52,00	51,47	0,53	48,752	48,592	0,16	46,227	45,763	0,463
MJ55 × 1,5-4h6h	55,000	54,764	0,236	54,026	53,926	0,1	53,268	53,077	0,191
MJ55 × 2-4h6h	55,00	54,72	0,28	53,701	53,589	0,112	52,691	52,457	0,234
MJ55 × 3-4h6h	55,000	54,625	0,375	53,051	52,919	0,132	51,536	51,222	0,314
MJ55 × 4-4h6h	55,000	54,525	0,475	52,402	52,252	0,15	50,381	49,989	0,392
MJ56 × 1,5-4h6h	56,000	55,764	0,236	55,026	54,926	0,1	54,268	54,077	0,191
MJ56 × 2-4h6h	56,00	55,72	0,28	54,701	54,589	0,112	53,691	53,457	0,234
MJ56 × 3-4h6h	56,000	55,625	0,375	54,051	53,919	0,132	52,536	52,222	0,314
MJ56 × 4-4h6h	56,000	55,525	0,475	53,402	53,252	0,15	51,381	50,989	0,392
MJ56 × 5,5-4h6h	56,00	55,44	0,56	52,428	52,258	0,17	49,649	49,146	0,503
MJ58 × 1,5-4h6h	58,000	57,764	0,236	57,026	56,926	0,1	56,268	56,077	0,191
MJ58 × 2-4h6h	58,00	57,72	0,28	56,701	56,589	0,112	55,691	55,457	0,234
MJ58 × 3-4h6h	58,000	57,625	0,375	56,051	55,919	0,132	54,536	54,222	0,314
MJ58 × 4-4h6h	58,000	57,525	0,475	55,402	55,252	0,15	53,381	52,989	0,392
MJ60 × 1,5-4h6h	60,000	59,764	0,236	59,026	58,926	0,1	58,268	58,077	0,191
MJ60 × 2-4h6h	60,00	59,72	0,28	58,701	58,589	0,112	57,691	57,457	0,234
MJ60 × 3-4h6h	60,000	59,625	0,375	58,051	57,919	0,132	56,536	56,222	0,314

Table 3 (continued)

Dimensions in millimetres

Thread designation	Major diameter			Pitch diameter			Minor diameter		
	d		T_d (6h) ^a	d_2		T_{d2} (4h) ^a	d_3		T_{d3}
	max.	min.		max.	min.		max.	min.	
MJ60 × 4-4h6h	60,000	59,525	0,475	57,402	57,252	0,15	55,381	54,989	0,392
MJ60 × 5,5-4h6h	60,00	59,44	0,56	56,428	56,258	0,17	53,649	53,146	0,503
MJ62 × 1,5-4h6h	62,000	61,764	0,236	61,026	60,926	0,1	60,268	60,077	0,191
MJ62 × 2-4h6h	62,00	61,72	0,28	60,701	60,589	0,112	59,691	59,457	0,234
MJ62 × 3-4h6h	62,000	61,625	0,375	60,051	59,919	0,132	58,536	58,222	0,314
MJ62 × 4-4h6h	62,000	61,525	0,475	59,402	59,252	0,15	57,381	56,989	0,392
MJ64 × 1,5-4h6h	64,000	63,764	0,236	63,026	62,926	0,1	62,268	62,077	0,191
MJ64 × 2-4h6h	64,00	63,72	0,28	62,701	62,589	0,112	61,691	61,457	0,234
MJ64 × 3-4h6h	64,000	63,625	0,375	62,051	61,919	0,132	60,536	60,222	0,314
MJ64 × 4-4h6h	64,000	63,525	0,475	61,402	61,252	0,15	59,381	58,989	0,392
MJ64 × 6-4h6h	64,0	63,4	0,6	60,103	59,923	0,18	57,072	56,528	0,544
MJ65 × 1,5-4h6h	65,000	64,764	0,236	64,026	63,926	0,1	63,268	63,077	0,191
MJ65 × 2-4h6h	65,00	64,72	0,28	63,701	63,589	0,112	62,691	62,457	0,234
MJ65 × 3-4h6h	65,000	64,625	0,375	63,051	62,919	0,132	61,536	61,222	0,314
MJ65 × 4-4h6h	65,000	64,525	0,475	62,402	62,252	0,15	60,381	59,989	0,392
MJ68 × 1,5-4h6h	68,000	67,764	0,236	67,026	66,926	0,1	66,268	66,077	0,191
MJ68 × 2-4h6h	68,00	67,72	0,28	66,701	66,589	0,112	65,691	65,457	0,234
MJ68 × 3-4h6h	68,000	67,625	0,375	66,051	65,919	0,132	64,536	64,222	0,314
MJ68 × 4-4h6h	68,000	67,525	0,475	65,402	65,252	0,15	63,381	62,989	0,392
MJ68 × 6-4h6h	68,0	67,4	0,6	64,103	63,923	0,18	61,072	60,528	0,544
MJ70 × 1,5-4h6h	70,000	69,764	0,236	69,026	68,926	0,1	68,268	68,077	0,191
MJ70 × 2-4h6h	70,00	69,72	0,28	68,701	68,589	0,112	67,691	67,457	0,234
MJ70 × 3-4h6h	70,000	69,625	0,375	68,051	67,919	0,132	66,536	66,222	0,314
MJ70 × 4-4h6h	70,000	69,525	0,475	67,402	67,252	0,15	65,381	64,989	0,392
MJ70 × 6-4h6h	70,0	69,4	0,6	66,103	65,923	0,18	63,072	62,528	0,544
MJ72 × 1,5-4h6h	72,000	71,764	0,236	71,026	70,926	0,1	70,268	70,077	0,191
MJ72 × 2-4h6h	72,00	71,72	0,28	70,701	70,589	0,112	69,691	69,457	0,234
MJ72 × 3-4h6h	72,000	71,625	0,375	70,051	69,919	0,132	68,536	68,222	0,314
MJ72 × 4-4h6h	72,000	71,525	0,475	69,402	69,252	0,15	67,381	66,989	0,392
MJ72 × 6-4h6h	72,0	71,4	0,6	68,103	67,923	0,18	65,072	64,528	0,544
MJ75 × 1,5-4h6h	75,000	74,764	0,236	74,026	73,926	0,1	73,268	73,077	0,191
MJ75 × 2-4h6h	75,00	74,72	0,28	73,701	73,589	0,112	72,691	72,457	0,234
MJ75 × 3-4h6h	75,000	74,625	0,375	73,051	72,919	0,132	71,536	71,222	0,314
MJ75 × 4-4h6h	75,000	74,525	0,475	72,402	72,252	0,15	70,381	69,989	0,392
MJ76 × 1,5-4h6h	76,000	75,764	0,236	75,026	74,926	0,1	74,268	74,077	0,191
MJ76 × 3-4h6h	76,000	75,625	0,375	74,051	73,919	0,132	72,536	72,222	0,314
MJ76 × 4-4h6h	76,000	75,525	0,475	73,402	73,252	0,15	71,381	70,989	0,392
MJ76 × 6-4h6h	76,0	75,4	0,6	72,103	71,923	0,18	69,072	68,528	0,544
MJ78 × 1,5-4h6h	78,000	77,764	0,236	77,026	76,926	0,1	76,268	76,077	0,191
MJ78 × 2-4h6h	78,00	77,72	0,28	76,701	76,589	0,112	75,691	75,457	0,233
MJ78 × 3-4h6h	78,000	77,625	0,375	76,051	75,919	0,132	74,536	74,222	0,314
MJ80 × 1,5-4h6h	80,000	79,764	0,236	79,026	78,926	0,1	78,268	78,077	0,191
MJ80 × 2-4h6h	80,00	79,72	0,28	78,701	78,589	0,112	77,691	77,457	0,233
MJ80 × 3-4h6h	80,000	79,625	0,375	78,051	77,919	0,132	76,536	76,222	0,314
MJ80 × 4-4h6h	80,000	79,525	0,475	77,402	77,252	0,15	75,381	74,989	0,392
MJ80 × 6-4h6h	80,0	79,4	0,6	76,103	75,923	0,18	73,072	72,528	0,544
MJ82 × 1,5-4h6h	82,000	81,764	0,236	81,026	80,926	0,1	80,268	80,077	0,191

Table 3 (continued)

Dimensions in millimetres

Thread designation	Major diameter d			Pitch diameter d_2			Minor diameter d_3		
	max.	min.	T_d	max.	min.	T_{d_2}	max.	min.	T_{d_3}
			(6h) a			(4h) a			
MJ82 × 2-4h6h	82,00	81,72	0,28	80,701	80,589	0,112	79,691	79,457	0,233
MJ82 × 3-4h6h	82,000	81,625	0,375	80,051	79,919	0,132	78,536	78,222	0,314
MJ85 × 1,5-4h6h	85,000	84,764	0,236	84,026	83,926	0,1	83,268	83,077	0,191
MJ85 × 2-4h6h	85,00	84,72	0,28	83,701	83,589	0,112	82,691	82,457	0,233
MJ85 × 3-4h6h	85,000	84,625	0,375	83,051	82,919	0,132	81,536	81,222	0,314
MJ85 × 4-4h6h	85,000	84,525	0,475	82,402	82,252	0,15	80,381	79,989	0,392
MJ85 × 6-4h6h	85,0	84,4	0,6	81,103	80,923	0,18	78,072	77,528	0,544
MJ88 × 1,5-4h6h	88,000	87,764	0,236	87,026	86,926	0,1	86,268	86,077	0,191
MJ90 × 1,5-4h6h	90,000	89,764	0,236	89,026	88,926	0,1	88,268	88,077	0,191
MJ90 × 2-4h6h	90,00	89,72	0,28	88,701	88,589	0,112	87,691	87,457	0,233
MJ90 × 3-4h6h	90,000	89,625	0,375	88,051	87,919	0,132	86,536	86,222	0,314
MJ90 × 4-4h6h	90,000	89,525	0,475	87,402	87,252	0,15	85,381	84,989	0,392
MJ90 × 6-4h6h	90,0	89,4	0,6	86,103	85,923	0,18	83,072	82,528	0,544
MJ95 × 2-4h6h	95,00	94,72	0,28	93,701	93,583	0,118	92,691	92,451	0,239
MJ95 × 3-4h6h	95,000	94,625	0,375	93,051	92,911	0,14	91,536	91,214	0,322
MJ95 × 4-4h6h	95,000	94,525	0,475	92,402	92,242	0,16	90,381	89,979	0,402
MJ95 × 6-4h6h	95,0	94,4	0,6	91,103	90,913	0,19	88,072	87,518	0,554
MJ100 × 2-4h6h	100,00	99,72	0,28	98,701	98,583	0,118	97,691	97,451	0,239
MJ100 × 3-4h6h	100,000	99,625	0,375	98,051	97,911	0,14	96,536	96,214	0,322
MJ100 × 4-4h6h	100,000	99,525	0,475	97,402	97,242	0,16	95,381	94,979	0,402
MJ100 × 6-4h6h	100,0	99,4	0,6	96,103	95,913	0,19	93,072	92,518	0,554
MJ105 × 2-4h6h	105,00	104,72	0,28	103,701	103,583	0,118	102,691	102,451	0,239
MJ105 × 3-4h6h	105,000	104,625	0,375	103,051	102,911	0,14	101,536	101,214	0,322
MJ105 × 4-4h6h	105,000	104,525	0,475	102,402	102,242	0,16	100,381	99,979	0,402
MJ105 × 6-4h6h	105,0	104,4	0,6	101,103	100,913	0,19	98,072	97,518	0,554
MJ110 × 2-4h6h	110,00	109,72	0,28	108,701	108,583	0,118	107,691	107,451	0,239
MJ110 × 3-4h6h	110,000	109,625	0,375	108,051	107,911	0,14	106,536	106,214	0,322
MJ110 × 4-4h6h	110,000	109,525	0,475	107,402	107,242	0,16	105,381	104,979	0,402
MJ110 × 6-4h6h	110,0	109,4	0,6	106,103	105,913	0,19	103,072	102,518	0,554
MJ115 × 2-4h6h	115,00	114,72	0,28	113,701	113,583	0,118	112,691	112,451	0,239
MJ115 × 3-4h6h	115,000	114,625	0,375	113,051	112,911	0,14	111,536	111,214	0,322
MJ115 × 4-4h6h	115,000	114,525	0,475	112,402	112,242	0,16	110,381	109,979	0,402
MJ115 × 6-4h6h	115,0	114,4	0,6	111,103	110,913	0,19	108,072	107,518	0,554
MJ120 × 2-4h6h	120,00	119,72	0,28	118,701	118,583	0,118	117,691	117,451	0,239
MJ120 × 3-4h6h	120,000	119,625	0,375	118,051	117,911	0,14	116,536	116,214	0,322
MJ120 × 4-4h6h	120,000	119,525	0,475	117,402	117,242	0,16	115,381	114,979	0,402
MJ120 × 6-4h6h	120,0	119,4	0,6	116,103	115,913	0,19	113,072	112,518	0,554
MJ125 × 2-4h6h	125,00	124,72	0,28	123,701	123,583	0,118	122,691	122,451	0,239
MJ125 × 3-4h6h	125,000	124,625	0,375	123,051	122,911	0,14	121,536	121,214	0,322
MJ125 × 4-4h6h	125,000	124,525	0,475	122,402	122,242	0,16	120,381	119,979	0,402
MJ125 × 6-4h6h	125,0	124,4	0,6	121,103	120,913	0,19	118,072	117,518	0,554
MJ130 × 2-4h6h	130,00	129,72	0,28	128,701	128,583	0,118	127,691	127,451	0,239
MJ130 × 3-4h6h	130,000	129,625	0,375	128,051	127,911	0,14	126,536	126,214	0,322
MJ130 × 4-4h6h	130,000	129,525	0,475	127,402	127,242	0,16	125,381	124,979	0,402
MJ130 × 6-4h6h	130,0	129,4	0,6	126,103	125,913	0,19	123,072	122,518	0,554
MJ135 × 2-4h6h	135,00	134,72	0,28	133,701	133,583	0,118	132,691	132,451	0,239
MJ135 × 3-4h6h	135,000	134,625	0,375	133,051	132,911	0,14	131,536	131,214	0,322

Table 3 (continued)

Dimensions in millimetres

Thread designation	Major diameter d			Pitch diameter d_2			Minor diameter d_3		
	max.	min.	T_d	max.	min.	T_{d2}	max.	min.	T_{d3}
			(6h) ^a			(4h) ^a			
MJ135 × 4-4h6h	135,000	134,525	0,475	132,402	132,242	0,16	130,381	129,979	0,402
MJ135 × 6-4h6h	135,0	134,4	0,6	131,103	130,913	0,19	128,072	127,518	0,554
MJ140 × 2-4h6h	140,00	139,72	0,28	138,701	138,583	0,118	137,691	137,451	0,239
MJ140 × 3-4h6h	140,000	139,625	0,375	138,051	137,911	0,14	136,536	136,214	0,322
MJ140 × 4-4h6h	140,000	139,525	0,475	137,402	137,242	0,16	135,381	134,979	0,402
MJ140 × 6-4h6h	140,0	139,4	0,6	136,103	135,913	0,19	133,072	132,518	0,554
MJ145 × 2-4h6h	145,00	144,72	0,28	143,701	143,583	0,118	142,691	142,451	0,239
MJ145 × 3-4h6h	145,000	144,625	0,375	143,051	142,911	0,14	141,536	141,214	0,322
MJ145 × 4-4h6h	145,000	144,525	0,475	142,402	142,242	0,16	140,381	139,979	0,402
MJ145 × 6-4h6h	145,0	144,4	0,6	141,103	140,913	0,19	138,072	137,518	0,554
MJ150 × 2-4h6h	150,00	149,72	0,28	148,701	148,583	0,118	147,691	147,451	0,239
MJ150 × 3-4h6h	150,000	149,625	0,375	148,051	147,911	0,14	146,536	146,214	0,322
MJ150 × 4-4h6h	150,000	149,525	0,475	147,402	147,242	0,16	145,381	144,979	0,402
MJ150 × 6-4h6h	150,0	149,4	0,6	146,103	145,913	0,19	143,072	142,518	0,554
MJ155 × 3-4h6h	155,000	154,625	0,375	153,051	152,911	0,14	151,536	151,214	0,322
MJ155 × 4-4h6h	155,000	154,525	0,475	152,402	152,242	0,16	150,381	149,979	0,402
MJ155 × 6-4h6h	155,0	154,4	0,6	151,103	150,913	0,19	148,072	147,518	0,554
MJ160 × 3-4h6h	160,000	159,625	0,375	158,051	157,911	0,14	156,536	156,214	0,322
MJ160 × 4-4h6h	160,000	159,525	0,475	157,402	157,242	0,16	155,381	154,979	0,402
MJ160 × 6-4h6h	160,0	159,4	0,6	156,103	155,913	0,19	153,072	152,518	0,554
MJ165 × 3-4h6h	165,000	164,625	0,375	163,051	162,911	0,14	161,536	161,214	0,322
MJ165 × 4-4h6h	165,000	164,525	0,475	162,402	162,242	0,16	160,381	159,979	0,402
MJ165 × 6-4h6h	165,0	164,4	0,6	161,103	160,913	0,19	158,072	157,518	0,554
MJ170 × 3-4h6h	170,000	169,625	0,375	168,051	167,911	0,14	166,536	166,214	0,322
MJ170 × 4-4h6h	170,000	169,525	0,475	167,402	167,242	0,16	165,381	164,979	0,402
MJ170 × 6-4h6h	170,0	169,4	0,6	166,103	165,913	0,19	163,072	162,518	0,554
MJ175 × 3-4h6h	175,000	174,625	0,375	173,051	172,911	0,14	171,536	171,214	0,322
MJ175 × 4-4h6h	175,000	174,525	0,475	172,402	172,242	0,16	170,381	169,979	0,402
MJ175 × 6-4h6h	175,0	174,4	0,6	171,103	170,913	0,19	168,072	167,518	0,554
MJ180 × 3-4h6h	180,000	179,625	0,375	178,051	177,911	0,14	176,536	176,214	0,322
MJ180 × 4-4h6h	180,000	179,525	0,475	177,402	177,242	0,16	175,381	174,979	0,402
MJ180 × 6-4h6h	180,0	179,4	0,6	176,103	175,913	0,19	173,072	172,518	0,554
MJ185 × 3-4h6h	185,000	184,625	0,375	183,051	182,891	0,16	181,536	181,194	0,342
MJ185 × 4-4h6h	185,000	184,525	0,475	182,402	182,222	0,18	180,381	179,959	0,422
MJ185 × 6-4h6h	185,0	184,4	0,6	181,103	180,903	0,2	178,072	177,508	0,564
MJ190 × 3-4h6h	190,000	189,625	0,375	188,051	187,891	0,16	186,536	186,194	0,342
MJ190 × 4-4h6h	190,000	189,525	0,475	187,402	187,222	0,18	185,381	184,959	0,422
MJ190 × 6-4h6h	190,0	189,4	0,6	186,103	185,903	0,2	183,072	182,508	0,564
MJ195 × 3-4h6h	195,000	194,625	0,375	193,051	192,891	0,16	191,536	191,194	0,342
MJ195 × 4-4h6h	195,000	194,525	0,475	192,402	192,222	0,18	190,381	189,959	0,422
MJ195 × 6-4h6h	195,0	194,4	0,6	191,103	190,903	0,2	188,072	187,508	0,564
MJ200 × 3-4h6h	200,000	199,625	0,375	198,051	197,891	0,16	196,536	196,194	0,342
MJ200 × 4-4h6h	200,000	199,525	0,475	197,402	197,222	0,18	195,381	194,959	0,422
MJ200 × 6-4h6h	200,0	199,4	0,6	196,103	195,903	0,2	193,072	192,508	0,564
MJ205 × 3-4h6h	205,000	204,625	0,375	203,051	202,891	0,16	201,536	201,194	0,342
MJ205 × 4-4h6h	205,000	204,525	0,475	202,402	202,222	0,18	200,381	199,959	0,422
MJ205 × 6-4h6h	205,0	204,4	0,6	201,103	200,903	0,2	198,072	197,508	0,564

Table 3 (continued)

Dimensions in millimetres

Thread designation	Major diameter d			Pitch diameter d_2			Minor diameter d_3		
	max.	min.	T_d (6h) ^a	max.	min.	T_{d_2} (4h) ^a	max.	min.	T_{d_3}
MJ210 × 3-4h6h	210,000	209,625	0,375	208,051	207,891	0,16	206,536	206,194	0,342
MJ210 × 4-4h6h	210,000	209,525	0,475	207,402	207,222	0,18	205,381	204,959	0,422
MJ210 × 6-4h6h	210,0	209,4	0,6	206,103	205,903	0,2	203,072	202,508	0,564
MJ215 × 3-4h6h	215,000	214,625	0,375	213,051	212,891	0,16	211,536	211,194	0,342
MJ215 × 4-4h6h	215,000	214,525	0,475	212,402	212,222	0,18	210,381	209,959	0,422
MJ215 × 6-4h6h	215,0	214,4	0,6	211,103	210,903	0,2	208,072	207,508	0,564
MJ220 × 3-4h6h	220,000	219,625	0,375	218,051	217,891	0,16	216,536	216,194	0,342
MJ220 × 4-4h6h	220,000	219,525	0,475	217,402	217,222	0,18	215,381	214,959	0,422
MJ220 × 6-4h6h	220,0	219,4	0,6	216,103	215,903	0,2	213,072	212,508	0,564
MJ225 × 3-4h6h	225,000	224,625	0,375	223,051	222,891	0,16	221,536	221,194	0,342
MJ225 × 4-4h6h	225,000	224,525	0,475	222,402	222,222	0,18	220,381	219,959	0,422
MJ225 × 6-4h6h	225,0	224,4	0,6	221,103	220,903	0,2	218,072	217,508	0,564
MJ230 × 3-4h6h	230,000	229,625	0,375	228,051	227,891	0,16	226,536	226,194	0,342
MJ230 × 4-4h6h	230,000	229,525	0,475	227,402	227,222	0,18	225,381	224,959	0,422
MJ230 × 6-4h6h	230,0	229,4	0,6	226,103	225,903	0,2	223,072	222,508	0,564
MJ235 × 3-4h6h	235,000	234,625	0,375	233,051	232,891	0,16	231,536	231,194	0,342
MJ235 × 4-4h6h	235,000	234,525	0,475	232,402	232,222	0,18	230,381	229,959	0,422
MJ235 × 6-4h6h	235,0	234,4	0,6	231,103	230,903	0,2	228,072	227,508	0,564
MJ240 × 3-4h6h	240,000	239,625	0,375	238,051	237,891	0,16	236,536	236,194	0,342
MJ240 × 4-4h6h	240,000	239,525	0,475	237,402	237,222	0,18	235,381	234,959	0,422
MJ240 × 6-4h6h	240,0	239,4	0,6	236,103	235,903	0,2	233,072	232,508	0,564
MJ245 × 3-4h6h	245,000	244,625	0,375	243,051	242,891	0,16	241,536	241,194	0,342
MJ245 × 4-4h6h	245,000	244,525	0,475	242,402	242,222	0,18	240,381	239,959	0,422
MJ245 × 6-4h6h	245,0	244,4	0,6	241,103	240,903	0,2	238,072	237,508	0,564
MJ250 × 3-4h6h	250,000	249,625	0,375	248,051	247,891	0,16	246,536	246,194	0,342
MJ250 × 4-4h6h	250,000	249,525	0,475	247,402	247,222	0,18	245,381	244,959	0,422
MJ250 × 6-4h6h	250,0	249,4	0,6	246,103	245,903	0,2	243,072	242,508	0,564
MJ255 × 4-4h6h	255,000	254,525	0,475	252,402	252,222	0,18	250,381	249,959	0,422
MJ255 × 6-4h6h	255,0	254,4	0,6	251,103	250,903	0,2	248,072	247,508	0,564
MJ260 × 4-4h6h	260,000	259,525	0,475	257,402	257,222	0,18	255,381	254,959	0,422
MJ260 × 6-4h6h	260,0	259,4	0,6	256,103	255,903	0,2	253,072	252,508	0,564
MJ265 × 4-4h6h	265,000	264,525	0,475	262,402	262,222	0,18	260,381	259,959	0,422
MJ265 × 6-4h6h	265,0	264,4	0,6	261,103	260,903	0,2	258,072	257,508	0,564
MJ270 × 4-4h6h	270,000	269,525	0,475	267,402	267,222	0,18	265,381	264,959	0,422
MJ270 × 6-4h6h	270,0	269,4	0,6	266,103	265,903	0,2	263,072	262,508	0,564
MJ275 × 4-4h6h	275,000	274,525	0,475	272,402	272,222	0,18	270,381	269,959	0,422
MJ275 × 6-4h6h	275,0	274,4	0,6	271,103	270,903	0,2	268,072	267,508	0,564
MJ280 × 4-4h6h	280,000	279,525	0,475	277,402	277,222	0,18	275,381	274,959	0,422
MJ280 × 6-4h6h	280,0	279,4	0,6	276,103	275,903	0,2	273,072	272,508	0,564
MJ285 × 4-4h6h	285,000	284,525	0,475	282,402	282,222	0,18	280,381	279,959	0,422
MJ285 × 6-4h6h	285,0	284,4	0,6	281,103	280,903	0,2	278,072	277,508	0,564
MJ290 × 4-4h6h	290,000	289,525	0,475	287,402	287,222	0,18	285,381	284,959	0,422
MJ290 × 6-4h6h	290,0	289,4	0,6	286,103	285,903	0,2	283,072	282,508	0,564
MJ295 × 4-4h6h	295,000	294,525	0,475	292,402	292,222	0,18	290,381	289,959	0,422
MJ295 × 6-4h6h	295,0	294,4	0,6	291,103	290,903	0,2	288,072	287,508	0,564
MJ300 × 4-4h6h	300,000	299,525	0,475	297,402	297,222	0,18	295,381	294,959	0,422
MJ300 × 6-4h6h	300,0	299,4	0,6	296,103	295,903	0,2	293,072	292,508	0,564

^a In accordance with ISO 965-1

Table 4 — Limit dimensions for 4g6g external threads

Dimensions in millimetres

Thread designation	Major diameter d			Pitch diameter d_2			Minor diameter d_3		
	max.	min.	T_d	max.	min.	T_{d_2}	max.	min.	T_{d_3}
			(6g) ^a			(4g) ^a			
MJ1,6 × 0,35-4g6g	1,581	1,496	0,085	1,354	1,314	0,04	1,177	1,116	0,061
MJ1,8 × 0,35-4g6g	1,781	1,696	0,085	1,554	1,514	0,04	1,377	1,316	0,061
MJ2 × 0,4-4g6g	1,981	1,886	0,095	1,721	1,679	0,042	1,519	1,453	0,066
MJ2,2 × 0,45-4g6g	2,18	2,08	0,1	1,888	1,843	0,045	1,660	1,588	0,072
MJ2,5 × 0,35-4g6g	2,481	2,396	0,085	2,254	2,214	0,04	2,077	2,016	0,061
MJ2,5 × 0,45-4g6g	2,48	2,38	0,1	2,188	2,143	0,045	1,960	1,888	0,072
MJ3 × 0,35-4g6g	2,981	2,896	0,085	2,754	2,712	0,042	2,577	2,514	0,063
MJ3 × 0,5-4g6g	2,980	2,874	0,106	2,655	2,607	0,048	2,403	2,324	0,078
MJ3,5 × 0,35-4g6g	3,481	3,396	0,085	3,254	3,212	0,042	3,077	3,014	0,063
MJ3,5 × 0,6-4g6g	3,479	3,354	0,125	3,089	3,036	0,053	2,786	2,697	0,089
MJ4 × 0,5-4g6g	3,980	3,874	0,106	3,655	3,607	0,048	3,403	3,324	0,078
MJ4 × 0,7-4g6g	3,978	3,838	0,14	3,523	3,467	0,056	3,170	3,071	0,098
MJ4,5 × 0,5-4g6g	4,480	4,374	0,106	4,155	4,107	0,048	3,903	3,824	0,078
MJ4,5 × 0,75-4g6g	4,478	4,338	0,14	3,991	3,935	0,056	3,612	3,511	0,101
MJ5 × 0,5-4g6g	4,980	4,874	0,106	4,655	4,607	0,048	4,403	4,324	0,078
MJ5 × 0,8-4g6g	4,976	4,826	0,15	4,456	4,396	0,06	4,052	3,944	0,108
MJ5,5 × 0,5-4g6g	5,480	5,374	0,106	5,155	5,107	0,048	4,903	4,824	0,078
MJ6 × 0,75-4g6g	5,978	5,838	0,14	5,491	5,428	0,063	5,112	5,004	0,108
MJ6 × 1-4g6g	5,974	5,794	0,18	5,324	5,253	0,071	4,819	4,687	0,132
MJ7 × 0,75-4g6g	6,978	6,838	0,14	6,491	6,428	0,063	6,112	6,004	0,108
MJ7 × 1-4g6g	6,974	6,794	0,18	6,324	6,253	0,071	5,819	5,687	0,132
MJ8 × 0,75-4g6g	7,978	7,838	0,14	7,491	7,428	0,063	7,112	7,004	0,108
MJ8 × 1-4g6g	7,974	7,794	0,18	7,324	7,253	0,071	6,819	6,687	0,132
MJ8 × 1,25-4g6g	7,972	7,760	0,212	7,160	7,085	0,075	6,529	6,378	0,151
MJ9 × 0,75-4g6g	8,978	8,838	0,14	8,491	8,428	0,063	8,112	8,004	0,108
MJ9 × 1-4g6g	8,974	8,794	0,18	8,324	8,253	0,071	7,819	7,687	0,132
MJ9 × 1,25-4g6g	8,972	8,760	0,212	8,160	8,085	0,075	7,529	7,378	0,151
MJ10 × 0,75-4g6g	9,978	9,838	0,14	9,491	9,428	0,063	9,112	9,004	0,108
MJ10 × 1-4g6g	9,974	9,794	0,18	9,324	9,253	0,071	8,819	8,687	0,132
MJ10 × 1,25-4g6g	9,972	9,760	0,212	9,160	9,085	0,075	8,529	8,378	0,151
MJ10 × 1,5-4g6g	9,968	9,732	0,236	8,994	8,909	0,085	8,236	8,060	0,176
MJ11 × 0,75-4g6g	10,978	10,838	0,14	10,491	10,428	0,063	10,112	10,004	0,108
MJ11 × 1-4g6g	10,974	10,794	0,18	10,324	10,253	0,071	9,819	9,687	0,132
MJ11 × 1,25-4g6g	10,972	10,760	0,212	10,160	10,085	0,075	9,529	9,378	0,151
MJ11 × 1,5-4g6g	10,968	10,732	0,236	9,994	9,909	0,085	9,236	9,060	0,176
MJ12 × 1-4g6g	11,974	11,794	0,18	11,324	11,249	0,075	10,819	10,684	0,136
MJ12 × 1,25-4g6g	11,972	11,760	0,212	11,160	11,075	0,085	10,529	10,368	0,161
MJ12 × 1,5-4g6g	11,968	11,732	0,236	10,994	10,904	0,09	10,236	10,055	0,181
MJ12 × 1,75-4g6g	11,966	11,701	0,265	10,829	10,734	0,095	9,945	9,744	0,201
MJ14 × 1-4g6g	13,974	13,794	0,18	13,324	13,249	0,075	12,819	12,684	0,136
MJ14 × 1,25-4g6g	13,972	13,760	0,212	13,160	13,075	0,085	12,529	12,368	0,161
MJ14 × 1,5-4g6g	13,968	13,732	0,236	12,994	12,904	0,09	12,236	12,055	0,181
MJ14 × 2-4g6g	13,962	13,682	0,28	12,663	12,563	0,1	11,653	11,431	0,221
MJ15 × 1-4g6g	14,974	14,794	0,18	14,324	14,249	0,075	13,819	13,684	0,136
MJ15 × 1,5-4g6g	14,968	14,732	0,236	13,994	13,909	0,085	13,236	13,060	0,176
MJ16 × 1-4g6g	15,974	15,794	0,18	15,324	15,249	0,075	14,819	14,684	0,136
MJ16 × 1,5-4g6g	15,968	15,732	0,236	14,994	14,904	0,09	14,236	14,055	0,181

Table 4 (continued)

Dimensions in millimetres

Thread designation	Major diameter			Pitch diameter			Minor diameter		
	d		T_d (6g) ^a	d_2		T_{d2} (4g) ^a	d_3		T_{d3}
	max.	min.		max.	min.		max.	min.	
MJ16 × 2-4g6g	15,962	15,682	0,28	14,663	14,563	0,1	13,653	13,431	0,221
MJ17 × 1-4g6g	16,974	16,794	0,18	16,324	16,249	0,075	15,819	15,684	0,136
MJ17 × 1,5-4g6g	16,968	16,732	0,236	15,994	15,904	0,09	15,236	15,055	0,181
MJ18 × 1-4g6g	17,974	17,794	0,18	17,324	17,249	0,075	16,819	16,684	0,136
MJ18 × 1,5-4g6g	17,968	17,732	0,236	16,994	16,904	0,09	16,236	16,055	0,181
MJ18 × 2-4g6g	17,962	17,682	0,28	16,663	16,563	0,1	15,653	15,431	0,221
MJ18 × 2,5-4g6g	17,958	17,623	0,335	16,334	16,228	0,106	15,071	14,814	0,258
MJ20 × 1-4g6g	19,974	19,794	0,18	19,324	19,249	0,075	18,819	18,684	0,136
MJ20 × 1,5-4g6g	19,968	19,732	0,236	18,994	18,904	0,09	18,236	18,055	0,181
MJ20 × 2-4g6g	19,962	19,682	0,28	18,663	18,563	0,1	17,653	17,431	0,221
MJ20 × 2,5-4g6g	19,958	19,623	0,335	18,334	18,228	0,106	17,071	16,814	0,258
MJ22 × 1-4g6g	21,974	21,794	0,18	21,324	21,249	0,075	20,819	20,684	0,136
MJ22 × 1,5-4g6g	21,968	21,732	0,236	20,994	20,904	0,09	20,236	20,055	0,181
MJ22 × 2-4g6g	21,962	21,682	0,28	20,663	20,563	0,1	19,653	19,431	0,221
MJ22 × 2,5-4g6g	21,958	21,623	0,335	20,334	20,228	0,106	19,071	18,814	0,258
MJ24 × 1-4g6g	23,974	23,794	0,18	23,324	23,244	0,08	22,819	22,679	0,141
MJ24 × 1,5-4g6g	23,968	23,732	0,236	22,994	22,899	0,095	22,236	22,050	0,186
MJ24 × 2-4g6g	23,962	23,682	0,28	22,663	22,557	0,106	21,653	21,425	0,228
MJ24 × 3-4g6g	23,952	23,577	0,375	22,003	21,878	0,125	20,488	20,181	0,307
MJ25 × 1-4g6g	24,974	24,794	0,18	24,324	24,244	0,08	23,819	23,679	0,141
MJ25 × 1,5-4g6g	24,968	24,732	0,236	23,994	23,899	0,095	23,236	23,050	0,186
MJ25 × 2-4g6g	24,962	24,682	0,28	23,663	23,557	0,106	22,653	22,425	0,228
MJ26 × 1,5-4g6g	25,968	25,732	0,236	24,994	24,869	0,125	24,236	24,020	0,216
MJ27 × 1-4g6g	26,974	26,794	0,18	26,324	26,244	0,08	25,819	25,679	0,141
MJ27 × 1,5-4g6g	26,968	26,732	0,236	25,994	25,899	0,095	25,236	25,050	0,186
MJ27 × 2-4g6g	26,962	26,682	0,28	25,663	25,557	0,106	24,653	24,425	0,228
MJ27 × 3-4g6g	26,952	26,577	0,375	25,003	24,878	0,125	23,488	23,181	0,307
MJ28 × 1-4g6g	27,974	27,794	0,18	27,324	27,244	0,08	26,819	26,679	0,141
MJ28 × 1,5-4g6g	27,968	27,732	0,236	26,994	26,899	0,095	26,236	26,050	0,186
MJ28 × 2-4g6g	27,962	27,682	0,28	26,663	26,557	0,106	25,653	25,425	0,228
MJ30 × 1-4g6g	29,974	29,794	0,18	29,324	29,244	0,08	28,819	28,679	0,141
MJ30 × 1,5-4g6g	29,968	29,732	0,236	28,994	28,899	0,095	28,236	28,050	0,186
MJ30 × 2-4g6g	29,962	29,682	0,28	28,663	28,557	0,106	27,653	27,425	0,228
MJ30 × 3-4g6g	29,952	29,577	0,375	28,003	27,878	0,125	26,488	26,181	0,307
MJ30 × 3,5-4g6g	29,947	29,522	0,425	27,674	27,542	0,132	25,906	25,561	0,344
MJ32 × 1,5-4g6g	31,968	31,732	0,236	30,994	30,899	0,095	30,236	30,050	0,186
MJ32 × 2-4g6g	31,962	31,682	0,28	30,663	30,557	0,106	29,653	29,425	0,228
MJ33 × 1,5-4g6g	32,968	32,732	0,236	31,994	31,899	0,095	31,236	31,050	0,186
MJ33 × 2-4g6g	32,962	32,682	0,28	31,663	31,557	0,106	30,653	30,425	0,228
MJ33 × 3-4g6g	32,952	32,577	0,375	31,003	30,878	0,125	29,488	29,181	0,307
MJ33 × 3,5-4g6g	32,947	32,522	0,425	30,674	30,542	0,132	28,906	28,561	0,344
MJ35 × 1,5-4g6g	34,968	34,732	0,236	33,994	33,899	0,095	33,236	33,050	0,186
MJ35 × 2-4g6g	34,962	34,682	0,28	33,663	33,557	0,106	32,653	32,425	0,228
MJ36 × 1,5-4g6g	35,968	35,732	0,236	34,994	34,899	0,095	34,236	34,050	0,186
MJ36 × 2-4g6g	35,962	35,682	0,28	34,663	34,557	0,106	33,653	33,425	0,228
MJ36 × 3-4g6g	35,952	35,577	0,375	34,003	33,878	0,125	32,488	32,181	0,307
MJ36 × 4-4g6g	35,940	35,465	0,475	33,342	33,202	0,14	31,321	30,939	0,382

Table 4 (continued)

Dimensions in millimetres

Thread designation	Major diameter			Pitch diameter			Minor diameter		
	d		T_d (6g) ^a	d_2		T_{d2} (4g) ^a	d_3		T_{d3}
	max.	min.		max.	min.		max.	min.	
MJ38 × 1,5-4g6g	37,968	37,732	0,236	36,994	36,899	0,095	36,236	36,050	0,186
MJ39 × 1,5-4g6g	38,968	38,732	0,236	37,994	37,899	0,095	37,236	37,050	0,186
MJ39 × 2-4g6g	38,962	38,682	0,28	37,663	37,557	0,106	36,653	36,425	0,228
MJ39 × 3-4g6g	38,952	38,577	0,375	37,003	36,878	0,125	35,488	35,181	0,307
MJ39 × 4-4g6g	38,940	38,465	0,475	36,342	36,202	0,14	34,321	33,939	0,382
MJ40 × 1,5-4g6g	39,968	39,732	0,236	38,994	38,899	0,095	38,236	38,050	0,186
MJ40 × 2-4g6g	39,962	39,682	0,28	38,663	38,557	0,106	37,653	37,425	0,228
MJ40 × 3-4g6g	39,952	39,577	0,375	38,003	37,878	0,125	36,488	36,181	0,307
MJ42 × 1,5-4g6g	41,968	41,732	0,236	40,994	40,899	0,095	40,236	40,050	0,186
MJ42 × 2-4g6g	41,962	41,682	0,28	40,663	40,557	0,106	39,653	39,425	0,228
MJ42 × 3-4g6g	41,952	41,577	0,375	40,003	39,878	0,125	38,488	38,181	0,307
MJ42 × 4-4g6g	41,940	41,465	0,475	39,342	39,202	0,14	37,321	36,939	0,382
MJ42 × 4,5-4g6g	41,937	41,437	0,5	39,014	38,864	0,15	36,741	36,318	0,423
MJ45 × 1,5-4g6g	44,968	44,732	0,236	43,994	43,899	0,095	43,236	43,050	0,186
MJ45 × 2-4g6g	44,962	44,682	0,28	43,663	43,557	0,106	42,653	42,425	0,228
MJ45 × 3-4g6g	44,952	44,577	0,375	43,003	42,878	0,125	41,488	41,181	0,307
MJ45 × 4-4g6g	44,940	44,465	0,475	42,342	42,202	0,14	40,321	39,939	0,382
MJ45 × 4,5-4g6g	44,937	44,437	0,5	42,014	41,864	0,15	39,741	39,318	0,423
MJ48 × 1,5-4g6g	47,968	47,732	0,236	46,994	46,894	0,1	46,236	46,045	0,191
MJ48 × 2-4g6g	47,962	47,682	0,28	46,663	46,551	0,112	45,653	45,419	0,234
MJ48 × 3-4g6g	47,952	47,577	0,375	46,003	45,871	0,132	44,488	44,174	0,314
MJ48 × 4-4g6g	47,940	47,465	0,475	45,342	45,192	0,15	43,321	42,929	0,392
MJ48 × 5-4g6g	47,929	47,399	0,53	44,681	44,521	0,16	42,156	41,692	0,463
MJ50 × 1,5-4g6g	49,968	49,732	0,236	48,994	48,894	0,1	48,236	48,045	0,191
MJ50 × 2-4g6g	49,962	49,682	0,28	48,663	48,551	0,112	47,653	47,419	0,234
MJ50 × 3-4g6g	49,952	49,577	0,375	48,003	47,871	0,132	46,488	46,174	0,314
MJ52 × 1,5-4g6g	51,968	51,732	0,236	50,994	50,894	0,1	50,236	50,045	0,191
MJ52 × 2-4g6g	51,962	51,682	0,28	50,663	50,551	0,112	49,653	49,419	0,234
MJ52 × 3-4g6g	51,952	51,577	0,375	50,003	49,871	0,132	48,488	48,174	0,314
MJ52 × 4-4g6g	51,940	51,465	0,475	49,342	49,192	0,15	47,321	46,929	0,392
MJ52 × 5-4g6g	51,929	51,399	0,53	48,681	48,521	0,16	46,156	45,692	0,463
MJ55 × 1,5-4g6g	54,968	54,732	0,236	53,994	53,894	0,1	53,236	53,045	0,191
MJ55 × 2-4g6g	54,962	54,682	0,28	53,663	53,551	0,112	52,653	52,419	0,234
MJ55 × 3-4g6g	54,952	54,577	0,375	53,003	52,871	0,132	51,488	51,174	0,314
MJ55 × 4-4g6g	54,940	54,465	0,475	52,342	52,192	0,15	50,321	49,929	0,392
MJ56 × 1,5-4g6g	55,968	55,732	0,236	54,994	54,894	0,1	54,236	54,045	0,191
MJ56 × 2-4g6g	55,962	55,682	0,28	54,663	54,551	0,112	53,653	53,419	0,234
MJ56 × 3-4g6g	55,952	55,577	0,375	54,003	53,871	0,132	52,488	52,174	0,314
MJ56 × 4-4g6g	55,940	55,465	0,475	53,342	53,192	0,15	51,321	50,929	0,392
MJ56 × 5,5-4g6g	55,925	55,365	0,56	52,353	52,183	0,17	49,574	49,071	0,503
MJ58 × 1,5-4g6g	57,968	57,732	0,236	56,994	56,894	0,1	56,236	56,045	0,191
MJ58 × 2-4g6g	57,962	57,682	0,28	56,663	56,551	0,112	55,653	55,419	0,234
MJ58 × 3-4g6g	57,952	57,577	0,375	56,003	55,871	0,132	54,488	54,174	0,314
MJ58 × 4-4g6g	57,940	57,465	0,475	55,342	55,192	0,15	53,321	52,929	0,392
MJ60 × 1,5-4g6g	59,968	59,732	0,236	58,994	58,894	0,1	58,236	58,045	0,191
MJ60 × 2-4g6g	59,962	59,682	0,28	58,663	58,551	0,112	57,653	57,419	0,234
MJ60 × 3-4g6g	59,952	59,577	0,375	58,003	57,871	0,132	56,488	56,174	0,314

Table 4 (continued)

Dimensions in millimetres

Thread designation	Major diameter d			Pitch diameter d_2			Minor diameter d_3		
	max.	min.	T_d	max.	min.	T_{d_2}	max.	min.	T_{d_3}
			(6g) ^a			(4g) ^a			
MJ60 × 4-4g6g	59,940	59,465	0,475	57,342	57,192	0,15	55,321	54,929	0,392
MJ60 × 5,5-4g6g	59,925	59,365	0,56	56,353	56,183	0,17	53,574	53,071	0,503
MJ62 × 1,5-4g6g	61,968	61,732	0,236	60,994	60,894	0,1	60,236	60,045	0,191
MJ62 × 2-4g6g	61,962	61,682	0,28	60,663	60,551	0,112	59,653	59,419	0,234
MJ62 × 3-4g6g	61,952	61,577	0,375	60,003	59,871	0,132	58,488	58,174	0,314
MJ62 × 4-4g6g	61,940	61,465	0,475	59,342	59,192	0,15	57,321	56,929	0,392
MJ64 × 1,5-4g6g	63,968	63,732	0,236	62,994	62,894	0,1	62,236	62,045	0,191
MJ64 × 2-4g6g	63,962	63,682	0,28	62,663	62,551	0,112	61,653	61,419	0,234
MJ64 × 3-4g6g	63,952	63,577	0,375	62,003	61,871	0,132	60,488	60,174	0,314
MJ64 × 4-4g6g	63,940	63,465	0,475	61,342	61,192	0,15	59,321	58,929	0,392
MJ64 × 6-4g6g	63,92	63,32	0,6	60,023	59,843	0,18	56,992	56,448	0,544
MJ65 × 1,5-4g6g	64,968	64,732	0,236	63,994	63,894	0,1	63,236	63,045	0,191
MJ65 × 2-4g6g	64,962	64,682	0,28	63,663	63,551	0,112	62,653	62,419	0,234
MJ65 × 3-4g6g	64,952	64,577	0,375	63,003	62,871	0,132	61,488	61,174	0,314
MJ65 × 4-4g6g	64,940	64,465	0,475	62,342	62,192	0,15	60,321	59,929	0,392
MJ68 × 1,5-4g6g	67,968	67,732	0,236	66,994	66,894	0,1	66,236	66,045	0,191
MJ68 × 2-4g6g	67,962	67,682	0,28	66,663	66,551	0,112	65,653	65,419	0,234
MJ68 × 3-4g6g	67,952	67,577	0,375	66,003	65,871	0,132	64,488	64,174	0,314
MJ68 × 4-4g6g	67,940	67,465	0,475	65,342	65,192	0,15	63,321	62,929	0,392
MJ68 × 6-4g6g	67,92	67,32	0,6	64,023	63,843	0,18	60,992	60,448	0,544
MJ70 × 1,5-4g6g	69,968	69,732	0,236	68,994	68,894	0,1	68,236	68,045	0,191
MJ70 × 2-4g6g	69,962	69,682	0,28	68,663	68,551	0,112	67,653	67,419	0,234
MJ70 × 3-4g6g	69,952	69,577	0,375	68,003	67,871	0,132	66,488	66,174	0,314
MJ70 × 4-4g6g	69,940	69,465	0,475	67,342	67,192	0,15	65,321	64,929	0,392
MJ70 × 6-4g6g	69,92	69,32	0,6	66,023	65,843	0,18	62,992	62,448	0,544
MJ72 × 1,5-4g6g	71,968	71,732	0,236	70,994	70,894	0,1	70,236	70,045	0,191
MJ72 × 2-4g6g	71,962	71,682	0,28	70,663	70,551	0,112	69,653	69,419	0,234
MJ72 × 3-4g6g	71,952	71,577	0,375	70,003	69,871	0,132	68,488	68,174	0,314
MJ72 × 4-4g6g	71,940	71,465	0,475	69,342	69,192	0,15	67,321	66,929	0,392
MJ72 × 6-4g6g	71,92	71,32	0,6	68,023	67,843	0,18	64,992	64,448	0,544
MJ75 × 1,5-4g6g	74,968	74,732	0,236	73,994	73,894	0,1	73,236	73,045	0,191
MJ75 × 2-4g6g	74,962	74,682	0,28	73,663	73,551	0,112	72,653	72,419	0,234
MJ75 × 3-4g6g	74,952	74,577	0,375	73,003	72,871	0,132	71,488	71,174	0,314
MJ75 × 4-4g6g	74,940	74,465	0,475	72,342	72,192	0,15	70,321	69,929	0,392
MJ76 × 1,5-4g6g	75,968	75,732	0,236	74,994	74,894	0,1	74,236	74,045	0,191
MJ76 × 3-4g6g	75,952	75,577	0,375	74,003	73,871	0,132	72,488	72,174	0,314
MJ76 × 4-4g6g	75,940	75,465	0,475	73,342	73,192	0,15	71,321	70,929	0,392
MJ76 × 6-4g6g	75,92	75,32	0,6	72,023	71,843	0,18	68,992	68,448	0,544
MJ78 × 1,5-4g6g	77,968	77,732	0,236	76,994	76,894	0,1	76,236	76,045	0,191
MJ78 × 2-4g6g	77,962	77,682	0,28	76,663	76,551	0,112	75,653	75,419	0,234
MJ78 × 3-4g6g	77,952	77,577	0,375	76,003	75,871	0,132	74,488	74,174	0,314
MJ80 × 1,5-4g6g	79,968	79,732	0,236	78,994	78,894	0,1	78,236	78,045	0,191
MJ80 × 2-4g6g	79,962	79,682	0,28	78,663	78,551	0,112	77,653	77,419	0,234
MJ80 × 3-4g6g	79,952	79,577	0,375	78,003	77,871	0,132	76,488	76,174	0,314
MJ80 × 4-4g6g	79,940	79,465	0,475	77,342	77,192	0,15	75,321	74,929	0,392
MJ80 × 6-4g6g	79,92	79,32	0,6	76,023	75,843	0,18	72,992	72,448	0,544
MJ82 × 1,5-4g6g	81,968	81,732	0,236	80,994	80,894	0,1	80,236	80,045	0,191

Table 4 (continued)

Dimensions in millimetres

Thread designation	Major diameter			Pitch diameter			Minor diameter		
	d		T_d (6g) ^a	d_2		T_{d2} (4g) ^a	d_3		T_{d3}
	max.	min.		max.	min.		max.	min.	
MJ82 × 2-4g6g	81,962	81,682	0,28	80,663	80,551	0,112	79,653	79,419	0,234
MJ82 × 3-4g6g	81,952	81,577	0,375	80,003	79,871	0,132	78,488	78,174	0,314
MJ85 × 1,5-4g6g	84,968	84,732	0,236	83,994	83,894	0,1	83,236	83,045	0,191
MJ85 × 2-4g6g	84,962	84,682	0,28	83,663	83,551	0,112	82,653	82,419	0,234
MJ85 × 3-4g6g	84,952	84,577	0,375	83,003	82,871	0,132	81,488	81,174	0,314
MJ85 × 4-4g6g	84,940	84,465	0,475	82,342	82,192	0,15	80,321	79,929	0,392
MJ85 × 6-4g6g	84,92	84,32	0,6	81,023	80,843	0,18	77,992	77,448	0,544
MJ88 × 1,5-4g6g	87,968	87,732	0,236	86,994	86,894	0,1	86,236	86,045	0,191
MJ90 × 1,5-4g6g	89,968	89,732	0,236	88,994	88,894	0,1	88,236	88,045	0,191
MJ90 × 2-4g6g	89,962	89,682	0,28	88,663	88,551	0,112	87,653	87,419	0,234
MJ90 × 3-4g6g	89,952	89,577	0,375	88,003	87,871	0,132	86,488	86,174	0,314
MJ90 × 4-4g6g	89,940	89,465	0,475	87,342	87,192	0,15	85,321	84,929	0,392
MJ90 × 6-4g6g	89,92	89,32	0,6	86,023	85,843	0,18	82,992	82,448	0,544
MJ95 × 2-4g6g	94,962	94,682	0,28	93,663	93,545	0,118	92,653	92,413	0,239
MJ95 × 3-4g6g	94,952	94,577	0,375	93,003	92,863	0,14	91,488	91,166	0,322
MJ95 × 4-4g6g	94,940	94,465	0,475	92,342	92,182	0,16	90,321	89,919	0,402
MJ95 × 6-4g6g	94,92	94,32	0,6	91,023	90,833	0,19	87,992	87,438	0,554
MJ100 × 2-4g6g	99,962	99,682	0,28	98,663	98,545	0,118	97,653	97,413	0,239
MJ100 × 3-4g6g	99,952	99,577	0,375	98,003	97,863	0,14	96,488	96,166	0,322
MJ100 × 4-4g6g	99,940	99,465	0,475	97,342	97,182	0,16	95,321	94,919	0,402
MJ100 × 6-4g6g	99,92	99,32	0,6	96,023	95,833	0,19	92,992	92,438	0,554
MJ105 × 2-4g6g	104,962	104,682	0,28	103,663	103,545	0,118	102,653	102,413	0,239
MJ105 × 3-4g6g	104,952	104,577	0,375	103,003	102,863	0,14	101,488	101,166	0,322
MJ105 × 4-4g6g	104,940	104,465	0,475	102,342	102,182	0,16	100,321	99,919	0,402
MJ105 × 6-4g6g	104,92	104,32	0,6	101,023	100,833	0,19	97,992	97,438	0,554
MJ110 × 2-4g6g	109,962	109,682	0,28	108,663	108,545	0,118	107,653	107,413	0,239
MJ110 × 3-4g6g	109,952	109,577	0,375	108,003	107,863	0,14	106,488	106,166	0,322
MJ110 × 4-4g6g	109,940	109,465	0,475	107,342	107,182	0,16	105,321	104,919	0,402
MJ110 × 6-4g6g	109,92	109,32	0,6	106,023	105,833	0,19	102,992	102,438	0,554
MJ115 × 2-4g6g	114,962	114,682	0,28	113,663	113,545	0,118	112,653	112,413	0,239
MJ115 × 3-4g6g	114,952	114,577	0,375	113,003	112,863	0,14	111,488	111,166	0,322
MJ115 × 4-4g6g	114,940	114,465	0,475	112,342	112,182	0,16	110,321	109,919	0,402
MJ115 × 6-4g6g	114,92	114,32	0,6	111,023	110,833	0,19	107,992	107,438	0,554
MJ120 × 2-4g6g	119,962	119,682	0,28	118,663	118,545	0,118	117,653	117,413	0,239
MJ120 × 3-4g6g	119,952	119,577	0,375	118,003	117,863	0,14	116,488	116,166	0,322
MJ120 × 4-4g6g	119,940	119,465	0,475	117,342	117,182	0,16	115,321	114,919	0,402
MJ120 × 6-4g6g	119,92	119,32	0,6	116,023	115,833	0,19	112,992	112,438	0,554
MJ125 × 2-4g6g	124,962	124,682	0,28	123,663	123,545	0,118	122,653	122,413	0,239
MJ125 × 3-4g6g	124,952	124,577	0,375	123,003	122,863	0,14	121,488	121,166	0,322
MJ125 × 4-4g6g	124,940	124,465	0,475	122,342	122,182	0,16	120,321	119,919	0,402
MJ125 × 6-4g6g	124,92	124,32	0,6	121,023	120,833	0,19	117,992	117,438	0,554
MJ130 × 2-4g6g	129,962	129,682	0,28	128,663	128,545	0,118	127,653	127,413	0,239
MJ130 × 3-4g6g	129,952	129,577	0,375	128,003	127,863	0,14	126,488	126,166	0,322
MJ130 × 4-4g6g	129,940	129,465	0,475	127,342	127,182	0,16	125,321	124,919	0,402
MJ130 × 6-4g6g	129,92	129,32	0,6	126,023	125,833	0,19	122,992	122,438	0,554
MJ135 × 2-4g6g	134,962	134,682	0,28	133,663	133,545	0,118	132,653	132,413	0,239
MJ135 × 3-4g6g	134,952	134,577	0,375	133,003	132,863	0,14	131,488	131,166	0,322

Table 4 (continued)

Dimensions in millimetres

Thread designation	Major diameter			Pitch diameter			Minor diameter		
	d		T_d (6g) ^a	d_2		T_{d2} (4g) ^a	d_3		T_{d3}
	max.	min.		max.	min.		max.	min.	
MJ135 × 4-4g6g	134,940	134,465	0,475	132,342	132,182	0,16	130,321	129,919	0,402
MJ135 × 6-4g6g	134,92	134,32	0,6	131,023	130,833	0,19	127,992	127,438	0,554
MJ140 × 2-4g6g	139,962	139,682	0,28	138,663	138,545	0,118	137,653	137,413	0,239
MJ140 × 3-4g6g	139,952	139,577	0,375	138,003	137,863	0,14	136,488	136,166	0,322
MJ140 × 4-4g6g	139,940	139,465	0,475	137,342	137,182	0,16	135,321	134,919	0,402
MJ140 × 6-4g6g	139,92	139,32	0,6	136,023	135,833	0,19	132,992	132,438	0,554
MJ145 × 2-4g6g	144,962	144,682	0,28	143,663	143,545	0,118	142,653	142,413	0,239
MJ145 × 3-4g6g	144,952	144,577	0,375	143,003	142,863	0,14	141,488	141,166	0,322
MJ145 × 4-4g6g	144,940	144,465	0,475	142,342	142,182	0,16	140,321	139,919	0,402
MJ145 × 6-4g6g	144,92	144,32	0,6	141,023	140,833	0,19	137,992	137,438	0,554
MJ150 × 2-4g6g	149,962	149,682	0,28	148,663	148,545	0,118	147,653	147,413	0,239
MJ150 × 3-4g6g	149,952	149,577	0,375	148,003	147,863	0,14	146,488	146,166	0,322
MJ150 × 4-4g6g	149,940	149,465	0,475	147,342	147,182	0,16	145,321	144,919	0,402
MJ150 × 6-4g6g	149,92	149,32	0,6	146,023	145,833	0,19	142,992	142,438	0,554
MJ155 × 3-4g6g	154,952	154,577	0,375	153,003	152,863	0,14	151,488	151,166	0,322
MJ155 × 4-4g6g	154,940	154,465	0,475	152,342	152,182	0,16	150,321	149,919	0,402
MJ155 × 6-4g6g	154,92	154,32	0,6	151,023	150,833	0,19	147,992	147,438	0,554
MJ160 × 3-4g6g	159,952	159,577	0,375	158,003	157,863	0,14	156,488	156,166	0,322
MJ160 × 4-4g6g	159,940	159,465	0,475	157,342	157,182	0,16	155,321	154,919	0,402
MJ160 × 6-4g6g	159,92	159,32	0,6	156,023	155,833	0,19	152,992	152,438	0,554
MJ165 × 3-4g6g	164,952	164,577	0,375	163,003	162,863	0,14	161,488	161,166	0,322
MJ165 × 4-4g6g	164,940	164,465	0,475	162,342	162,182	0,16	160,321	159,919	0,402
MJ165 × 6-4g6g	164,92	164,32	0,6	161,023	160,833	0,19	157,992	157,438	0,554
MJ170 × 3-4g6g	169,952	169,577	0,375	168,003	167,863	0,14	166,488	166,166	0,322
MJ170 × 4-4g6g	169,940	169,465	0,475	167,342	167,182	0,16	165,321	164,919	0,402
MJ170 × 6-4g6g	169,92	169,32	0,6	166,023	165,833	0,19	162,992	162,438	0,554
MJ175 × 3-4g6g	174,952	174,577	0,375	173,003	172,863	0,14	171,488	171,166	0,322
MJ175 × 4-4g6g	174,940	174,465	0,475	172,342	172,182	0,16	170,321	169,919	0,402
MJ175 × 6-4g6g	174,92	174,32	0,6	171,023	170,833	0,19	167,992	167,438	0,554
MJ180 × 3-4g6g	179,952	179,577	0,375	178,003	177,863	0,14	176,488	176,166	0,322
MJ180 × 4-4g6g	179,940	179,465	0,475	177,342	177,182	0,16	175,321	174,919	0,402
MJ180 × 6-4g6g	179,92	179,32	0,6	176,023	175,833	0,19	172,992	172,438	0,554
MJ185 × 3-4g6g	184,952	184,577	0,375	183,003	182,843	0,16	181,488	181,146	0,342
MJ185 × 4-4g6g	184,940	184,465	0,475	182,342	182,162	0,18	180,321	179,899	0,422
MJ185 × 6-4g6g	184,92	184,32	0,6	181,023	180,823	0,2	177,992	177,428	0,564
MJ190 × 3-4g6g	189,952	189,577	0,375	188,003	187,843	0,16	186,488	186,146	0,342
MJ190 × 4-4g6g	189,940	189,465	0,475	187,342	187,162	0,18	185,321	184,899	0,422
MJ190 × 6-4g6g	189,92	189,32	0,6	186,023	185,823	0,2	182,992	182,428	0,564
MJ195 × 3-4g6g	194,952	194,577	0,375	193,003	192,843	0,16	191,488	191,146	0,342
MJ195 × 4-4g6g	194,940	194,465	0,475	192,342	192,162	0,18	190,321	189,899	0,422
MJ195 × 6-4g6g	194,92	194,32	0,6	191,023	190,823	0,2	187,992	187,428	0,564
MJ200 × 3-4g6g	199,952	199,577	0,375	198,003	197,843	0,16	196,488	196,146	0,342
MJ200 × 4-4g6g	199,940	199,465	0,475	197,342	197,162	0,18	195,321	194,899	0,422
MJ200 × 6-4g6g	199,92	199,32	0,6	196,023	195,823	0,2	192,992	192,428	0,564
MJ205 × 3-4g6g	204,952	204,577	0,375	203,003	202,843	0,16	201,488	201,146	0,342
MJ205 × 4-4g6g	204,940	204,465	0,475	202,342	202,162	0,18	200,321	199,899	0,422
MJ205 × 6-4g6g	204,92	204,32	0,6	201,023	200,823	0,2	197,992	197,428	0,564

Table 4 (continued)

Dimensions in millimetres

Thread designation	Major diameter d			Pitch diameter d_2			Minor diameter d_3		
	max.	min.	T_d	max.	min.	T_{d_2}	max.	min.	T_{d_3}
			(6g) ^a			(4g) ^a			
MJ210 × 3-4g6g	209,952	209,577	0,375	208,003	207,843	0,16	206,488	206,146	0,342
MJ210 × 4-4g6g	209,940	209,465	0,475	207,342	207,162	0,18	205,321	204,899	0,422
MJ210 × 6-4g6g	209,92	209,32	0,6	206,023	205,823	0,2	202,992	202,428	0,564
MJ215 × 3-4g6g	214,952	214,577	0,375	213,003	212,843	0,16	211,488	211,146	0,342
MJ215 × 4-4g6g	214,940	214,465	0,475	212,342	212,162	0,18	210,321	209,899	0,422
MJ215 × 6-4g6g	214,92	214,32	0,6	211,023	210,823	0,2	207,992	207,428	0,564
MJ220 × 3-4g6g	219,952	219,577	0,375	218,003	217,843	0,16	216,488	216,146	0,342
MJ220 × 4-4g6g	219,940	219,465	0,475	217,342	217,162	0,18	215,321	214,899	0,422
MJ220 × 6-4g6g	219,92	219,32	0,6	216,023	215,823	0,2	212,992	212,428	0,564
MJ225 × 3-4g6g	224,952	224,577	0,375	223,003	222,843	0,16	221,488	221,146	0,342
MJ225 × 4-4g6g	224,940	224,465	0,475	222,342	222,162	0,18	220,321	219,899	0,422
MJ225 × 6-4g6g	224,92	224,32	0,6	221,023	220,823	0,2	217,992	217,428	0,564
MJ230 × 3-4g6g	229,952	229,577	0,375	228,003	227,843	0,16	226,488	226,146	0,342
MJ230 × 4-4g6g	229,940	229,465	0,475	227,342	227,162	0,18	225,321	224,899	0,422
MJ230 × 6-4g6g	229,92	229,32	0,6	226,023	225,823	0,2	222,992	222,428	0,564
MJ235 × 3-4g6g	234,952	234,577	0,375	233,003	232,843	0,16	231,488	231,146	0,342
MJ235 × 4-4g6g	234,940	234,465	0,475	232,342	232,162	0,18	230,321	229,899	0,422
MJ235 × 6-4g6g	234,92	234,32	0,6	231,023	230,823	0,2	227,992	227,428	0,564
MJ240 × 3-4g6g	239,952	239,577	0,375	238,003	237,843	0,16	236,488	236,146	0,342
MJ240 × 4-4g6g	239,940	239,465	0,475	237,342	237,162	0,18	235,321	234,899	0,422
MJ240 × 6-4g6g	239,92	239,32	0,6	236,023	235,823	0,2	232,992	232,428	0,564
MJ245 × 3-4g6g	244,952	244,577	0,375	243,003	242,843	0,16	241,488	241,146	0,342
MJ245 × 4-4g6g	244,940	244,465	0,475	242,342	242,162	0,18	240,321	239,899	0,422
MJ245 × 6-4g6g	244,92	244,32	0,6	241,023	240,823	0,2	237,992	237,428	0,564
MJ250 × 3-4g6g	249,952	249,577	0,375	248,003	247,843	0,16	246,488	246,146	0,342
MJ250 × 4-4g6g	249,940	249,465	0,475	247,342	247,162	0,18	245,321	244,899	0,422
MJ250 × 6-4g6g	249,92	249,32	0,6	246,023	245,823	0,2	242,992	242,428	0,564
MJ255 × 4-4g6g	254,940	254,465	0,475	252,342	252,162	0,18	250,321	249,899	0,422
MJ255 × 6-4g6g	254,92	254,32	0,6	251,023	250,823	0,2	247,992	247,428	0,564
MJ260 × 4-4g6g	259,940	259,465	0,475	257,342	257,162	0,18	255,321	254,899	0,422
MJ260 × 6-4g6g	259,92	259,32	0,6	256,023	255,823	0,2	252,992	252,428	0,564
MJ265 × 4-4g6g	264,940	264,465	0,475	262,342	262,162	0,18	260,321	259,899	0,422
MJ265 × 6-4g6g	264,92	264,32	0,6	261,023	260,823	0,2	257,992	257,428	0,564
MJ270 × 4-4g6g	269,940	269,465	0,475	267,342	267,162	0,18	265,321	264,899	0,422
MJ270 × 6-4g6g	269,92	269,32	0,6	266,023	265,823	0,2	262,992	262,428	0,564
MJ275 × 4-4g6g	274,940	274,465	0,475	272,342	272,162	0,18	270,321	269,899	0,422
MJ275 × 6-4g6g	274,92	274,32	0,6	271,023	270,823	0,2	267,992	267,428	0,564
MJ280 × 4-4g6g	279,940	279,465	0,475	277,342	277,162	0,18	275,321	274,899	0,422
MJ280 × 6-4g6g	279,92	279,32	0,6	276,023	275,823	0,2	272,992	272,428	0,564
MJ285 × 4-4g6g	284,940	284,465	0,475	282,342	282,162	0,18	280,321	279,899	0,422
MJ285 × 6-4g6g	284,92	284,32	0,6	281,023	280,823	0,2	277,992	277,428	0,564
MJ290 × 4-4g6g	289,940	289,465	0,475	287,342	287,162	0,18	285,321	284,899	0,422
MJ290 × 6-4g6g	289,92	289,32	0,6	286,023	285,823	0,2	282,992	282,428	0,564
MJ295 × 4-4g6g	294,940	294,465	0,475	292,342	292,162	0,18	290,321	289,899	0,422
MJ295 × 6-4g6g	294,92	294,32	0,6	291,023	290,823	0,2	287,992	287,428	0,564
MJ300 × 4-4g6g	299,940	299,465	0,475	297,342	297,162	0,18	295,321	294,899	0,422
MJ300 × 6-4g6g	299,92	299,32	0,6	296,023	295,823	0,2	292,992	292,428	0,564

^a In accordance with ISO 965-1

Table 5 — Root radii for external threads

Dimensions in millimetres

Pitch <i>P</i>	Root radius <i>R</i>		Pitch <i>P</i>	Root radius <i>R</i>		Pitch <i>P</i>	Root radius <i>R</i>	
	max.	min.		max.	min.		max.	min.
0,35	0,063	0,053	0,8	0,144	0,120	3	0,541	0,450
0,4	0,072	0,060	1	0,18	0,15	3,5	0,631	0,525
0,45	0,081	0,068	1,25	0,226	0,188	4	0,722	0,600
0,5	0,090	0,075	1,5	0,271	0,225	4,5	0,812	0,675
0,6	0,108	0,090	1,75	0,316	0,263	5	0,902	0,751
0,7	0,126	0,105	2	0,361	0,300	5,5	0,992	0,826
0,75	0,135	0,113	2,5	0,451	0,375	6	1,083	0,901

Table 6 — Maximum permissible deviations on pitch (lead) and half flank angle

Nominal diameter <i>d</i> or <i>D</i> mm	Pitch <i>P</i> mm	External thread		Internal thread		Nominal diameter <i>d</i> or <i>D</i> mm	Pitch <i>P</i> mm	External thread		Internal thread	
		ΔP μm	$\Delta\alpha$	ΔP μm	$\Delta\alpha$			ΔP μm	$\Delta\alpha$		
1,6	0,35	9,2	1° 45'	12,2	2° 19'	11	0,75	14,5	1° 17'	19,6	1° 44'
1,8	0,35	9,2	1° 45'	12,2	2° 19'	11	1	16,4	1° 5'	21,9	1° 27'
2	0,4	9,7	1° 37'	12,9	2° 8'	11	1,25	17,3	0° 55'	23,1	1° 13'
2,2	0,45	10,4	1° 32'	13,9	2° 2'	11	1,5	19,6	0° 52'	25,9	1° 8'
2,5	0,35	9,2	1° 45'	12,2	2° 19'	12	1	17,3	1° 9'	23,1	1° 32'
2,5	0,45	10,4	1° 32'	13,9	2° 2'	12	1,25	19,6	1° 2'	25,9	1° 22'
3	0,35	9,7	1° 50'	12,9	2° 27'	12	1,5	20,8	0° 55'	27,3	1° 12'
3	0,5	11,1	1° 28'	14,5	1° 55'	12	1,75	21,9	0° 50'	28,9	1° 5'
3,5	0,35	9,7	1° 50'	12,9	2° 27'	14	1	17,3	1° 9'	23,1	1° 32'
3,5	0,6	12,2	1° 21'	16,4	1° 48'	14	1,25	19,6	1° 2'	25,9	1° 22'
4	0,5	11,1	1° 28'	14,5	1° 55'	14	1,5	20,8	0° 55'	27,3	1° 12'
4	0,7	12,9	1° 13'	17,3	1° 38'	14	2	23,1	0° 46'	30,5	1°
4,5	0,5	11,1	1° 28'	14,5	1° 55'	15	1	17,3	1° 9'	23,1	1° 32'
4,5	0,75	12,9	1° 8'	17,3	1° 32'	15	1,5	19,6	0° 52'	27,3	1° 12'
5	0,5	11,1	1° 28'	14,5	1° 55'	16	1	17,3	1° 9'	23,1	1° 32'
5	0,8	13,9	1° 9'	18,5	1° 32'	16	1,5	20,8	0° 55'	27,3	1° 12'
5,5	0,5	11,1	1° 28'	14,5	1° 55'	16	2	23,1	0° 46'	30,5	1°
6	0,75	14,5	1° 17'	19,6	1° 44'	17	1	17,3	1° 9'	23,1	1° 32'
6	1	16,4	1° 5'	21,9	1° 27'	17	1,5	20,8	0° 55'	27,3	1° 12'
7	0,75	14,5	1° 17'	19,6	1° 44'	18	1	17,3	1° 9'	23,1	1° 32'
7	1	16,4	1° 5'	21,9	1° 27'	18	1,5	20,8	0° 55'	27,3	1° 12'
8	0,75	14,5	1° 17'	19,6	1° 44'	18	2	23,1	0° 46'	30,5	1°
8	1	16,4	1° 5'	21,9	1° 27'	18	2,5	24,5	0° 39'	32,3	0° 51'
8	1,25	17,3	0° 55'	23,1	1° 13'	20	1	17,3	1° 9'	23,1	1° 32'
9	0,75	14,5	1° 17'	19,6	1° 44'	20	1,5	20,8	0° 55'	27,3	1° 12'
9	1	16,4	1° 5'	21,9	1° 27'	20	2	23,1	0° 46'	30,5	1°
9	1,25	17,3	0° 55'	23,1	1° 13'	20	2,5	24,5	0° 39'	32,3	0° 51'
10	0,75	14,5	1° 17'	19,6	1° 44'	22	1	17,3	1° 9'	23,1	1° 32'
10	1	16,4	1° 5'	21,9	1° 27'	22	1,5	20,8	0° 55'	27,3	1° 12'
10	1,25	17,3	0° 55'	23,1	1° 13'	22	2	23,1	0° 46'	30,5	1°
10	1,5	19,6	0° 52'	25,9	1° 8'	22	2,5	24,5	0° 39'	32,3	0° 51'

Table 6 (continued)

Nominal diameter	Pitch	External thread		Internal thread		Nominal diameter	Pitch	External thread		Internal thread	
		ΔP	$\Delta\alpha$	ΔP	$\Delta\alpha$			ΔP	$\Delta\alpha$	ΔP	$\Delta\alpha$
<i>d</i> or <i>D</i> mm	<i>P</i> mm	ΔP μm	$\Delta\alpha$	ΔP μm	$\Delta\alpha$	<i>d</i> or <i>D</i> mm	<i>P</i> mm	ΔP μm	$\Delta\alpha$	ΔP μm	$\Delta\alpha$
24	1	18,5	1° 13'	24,5	1° 37'	45	3	28,9	0° 38'	39,3	0° 52'
24	1,5	21,9	0° 58'	28,9	1° 16'	45	4	32,3	0° 32'	43,9	0° 44'
24	2	24,5	0° 49'	32,3	1° 4'	45	4,5	34,6	0° 31'	46,2	0° 41'
24	3	28,9	0° 38'	39,3	0° 52'	48	1,5	23,1	1° 1'	30,5	1° 21'
25	1	18,5	1° 13'	24,5	1° 37'	48	2	25,9	0° 51'	34,6	1° 8'
25	1,5	21,9	0° 58'	28,9	1° 16'	48	3	30,5	0° 40'	41,6	0° 55'
25	2	24,5	0° 49'	32,3	1° 4'	48	4	34,6	0° 34'	46,2	0° 46'
26	1,5	28,9	1° 16'	28,9	1° 16'	48	5	36,9	0° 29'	49	0° 39'
27	1	18,5	1° 13'	24,5	1° 37'	50	1,5	23,1	1° 1'	30,5	1° 21'
27	1,5	21,9	0° 58'	28,9	1° 16'	50	2	25,9	0° 51'	34,6	1° 8'
27	2	24,5	0° 49'	32,3	1° 4'	50	3	30,5	0° 40'	41,6	0° 55'
27	3	28,9	0° 38'	39,3	0° 52'	52	1,5	23,1	1° 1'	30,5	1° 21'
28	1	18,5	1° 13'	24,5	1° 37'	52	2	25,9	0° 51'	34,6	1° 8'
28	1,5	21,9	0° 58'	28,9	1° 16'	52	3	30,5	0° 40'	41,6	0° 55'
28	2	24,5	0° 49'	32,3	1° 4'	52	4	34,6	0° 34'	46,2	0° 46'
30	1	18,5	1° 13'	24,5	1° 37'	52	5	36,9	0° 29'	49	0° 39'
30	1,5	21,9	0° 58'	28,9	1° 16'	55	1,5	23,1	1° 1'	30,5	1° 21'
30	2	24,5	0° 49'	32,3	1° 4'	55	2	25,9	0° 51'	34,6	1° 8'
30	3	28,9	0° 38'	39,3	0° 52'	55	3	30,5	0° 40'	41,6	0° 55'
30	3,5	30,5	0° 35'	41,6	0° 47'	55	4	34,6	0° 34'	46,2	0° 46'
32	1,5	21,9	0° 58'	28,9	1° 16'	56	1,5	23,1	1° 1'	30,5	1° 21'
32	2	24,5	0° 49'	32,3	1° 4'	56	2	25,9	0° 51'	34,6	1° 8'
33	1,5	21,9	0° 58'	28,9	1° 16'	56	3	30,5	0° 40'	41,6	0° 55'
33	2	24,5	0° 49'	32,3	1° 4'	56	4	34,6	0° 34'	46,2	0° 46'
33	3	28,9	0° 38'	39,3	0° 52'	56	5,5	39,3	0° 28'	51,7	0° 37'
33	3,5	30,5	0° 35'	41,6	0° 47'	58	1,5	23,1	1° 1'	30,5	1° 21'
35	1,5	21,9	0° 58'	28,9	1° 16'	58	2	25,9	0° 51'	34,6	1° 8'
35	2	24,5	0° 49'	32,3	1° 4'	58	3	30,5	0° 40'	41,6	0° 55'
36	1,5	21,9	0° 58'	28,9	1° 16'	58	4	34,6	0° 34'	46,2	0° 46'
36	2	24,5	0° 49'	32,3	1° 4'	60	1,5	23,1	1° 1'	30,5	1° 21'
36	3	28,9	0° 38'	39,3	0° 52'	60	2	25,9	0° 51'	34,6	1° 8'
36	4	32,3	0° 32'	43,9	0° 44'	60	3	30,5	0° 40'	41,6	0° 55'
38	1,5	21,9	0° 58'	28,9	1° 16'	60	4	34,6	0° 34'	46,2	0° 46'
39	1,5	21,9	0° 58'	28,9	1° 16'	60	5,5	39,3	0° 28'	51,7	0° 37'
39	2	24,5	0° 49'	32,3	1° 4'	62	1,5	23,1	1° 1'	30,5	1° 21'
39	3	28,9	0° 38'	39,3	0° 52'	62	2	25,9	0° 51'	34,6	1° 8'
39	4	32,3	0° 32'	43,9	0° 44'	62	3	30,5	0° 40'	41,6	0° 55'
40	1,5	21,9	0° 58'	28,9	1° 16'	62	4	34,6	0° 34'	46,2	0° 46'
40	2	24,5	0° 49'	32,3	1° 4'	64	1,5	23,1	1° 1'	30,5	1° 21'
40	3	28,9	0° 38'	39,3	0° 52'	64	2	25,9	0° 51'	34,6	1° 8'
42	1,5	21,9	0° 58'	28,9	1° 16'	64	3	30,5	0° 40'	41,6	0° 55'
42	2	24,5	0° 49'	32,3	1° 4'	64	4	34,6	0° 34'	46,2	0° 46'
42	3	28,9	0° 38'	39,3	0° 52'	64	6	41,6	0° 28'	54,5	0° 36'
42	4	32,3	0° 32'	43,9	0° 44'	65	1,5	23,1	1° 1'	30,5	1° 21'
42	4,5	34,6	0° 31'	46,2	0° 41'	65	2	25,9	0° 51'	34,6	1° 8'
45	1,5	21,9	0° 58'	28,9	1° 16'	65	3	30,5	0° 40'	41,6	0° 55'
45	2	24,5	0° 49'	32,3	1° 4'	65	4	34,6	0° 34'	46,2	0° 46'

Table 6 (continued)

Nominal diameter	Pitch	External thread		Internal thread		Nominal diameter	Pitch	External thread		Internal thread	
		ΔP	$\Delta\alpha$	ΔP	$\Delta\alpha$			ΔP	$\Delta\alpha$	ΔP	$\Delta\alpha$
<i>d</i> or <i>D</i> mm	<i>P</i> mm	μm		μm		<i>d</i> or <i>D</i> mm	<i>P</i> mm	μm		μm	
68	1,5	23,1	1° 1'	30,5	1° 21'	95	4	36,9	0° 37'	49	0° 49'
68	2	25,9	0° 51'	34,6	1° 8'	95	6	43,9	0° 29'	57,7	0° 38'
68	3	30,5	0° 40'	41,6	0° 55'	100	2	27,3	0° 54'	36,9	1° 13'
68	4	34,6	0° 34'	46,2	0° 46'	100	3	32,3	0° 43'	43,9	0° 58'
68	6	41,6	0° 28'	54,5	0° 36'	100	4	36,9	0° 37'	49	0° 49'
70	1,5	23,1	1° 1'	30,5	1° 21'	100	6	43,9	0° 29'	57,7	0° 38'
70	2	25,9	0° 51'	34,6	1° 8'	105	2	27,3	0° 54'	36,9	1° 13'
70	3	30,5	0° 40'	41,6	0° 55'	105	3	32,3	0° 43'	43,9	0° 58'
70	4	34,6	0° 34'	46,2	0° 46'	105	4	36,9	0° 37'	49	0° 49'
70	6	41,6	0° 28'	54,5	0° 36'	105	6	43,9	0° 29'	57,7	0° 38'
72	1,5	23,1	1° 1'	30,5	1° 21'	110	2	27,3	0° 54'	36,9	1° 13'
72	2	25,9	0° 51'	34,6	1° 8'	110	3	32,3	0° 43'	43,9	0° 58'
72	3	30,5	0° 40'	41,6	0° 55'	110	4	36,9	0° 37'	49	0° 49'
72	4	34,6	0° 34'	46,2	0° 46'	110	6	43,9	0° 29'	57,7	0° 38'
72	6	41,6	0° 28'	54,5	0° 36'	115	2	27,3	0° 54'	36,9	1° 13'
75	1,5	23,1	1° 1'	30,5	1° 21'	115	3	32,3	0° 43'	43,9	0° 58'
75	2	25,9	0° 51'	34,6	1° 8'	115	4	36,9	0° 37'	49	0° 49'
75	3	30,5	0° 40'	41,6	0° 55'	115	6	43,9	0° 29'	57,7	0° 38'
75	4	34,6	0° 34'	46,2	0° 46'	120	2	27,3	0° 54'	36,9	1° 13'
76	1,5	23,1	1° 1'	30,5	1° 21'	120	3	32,3	0° 43'	43,9	0° 58'
76	3	30,5	0° 40'	34,6	0° 46'	120	4	36,9	0° 37'	49	0° 49'
76	4	34,6	0° 34'	41,6	0° 41'	120	6	43,9	0° 29'	57,7	0° 38'
76	6	41,6	0° 28'	46,2	0° 31'	125	2	27,3	0° 54'	36,9	1° 13'
78	1,5	23,1	1° 1'	30,5	1° 21'	125	3	32,3	0° 43'	43,9	0° 58'
78	2	25,9	0° 51'	34,6	1° 8'	125	4	36,9	0° 37'	49	0° 49'
78	3	30,5	0° 40'	41,6	0° 55'	125	6	43,9	0° 29'	57,7	0° 38'
80	1,5	23,1	1° 1'	30,5	1° 21'	130	2	27,3	0° 54'	36,9	1° 13'
80	2	25,9	0° 51'	34,6	1° 8'	130	3	32,3	0° 43'	43,9	0° 58'
80	3	30,5	0° 40'	41,6	0° 55'	130	4	36,9	0° 37'	49	0° 49'
80	4	34,6	0° 34'	46,2	0° 46'	130	6	43,9	0° 29'	57,7	0° 38'
80	6	41,6	0° 28'	54,5	0° 36'	135	2	27,3	0° 54'	36,9	1° 13'
82	1,5	23,1	1° 1'	30,5	1° 21'	135	3	32,3	0° 43'	43,9	0° 58'
82	2	25,9	0° 51'	34,6	1° 8'	135	4	36,9	0° 37'	49	0° 49'
82	3	30,5	0° 40'	41,6	0° 55'	135	6	43,9	0° 29'	57,7	0° 38'
85	1,5	23,1	1° 1'	30,5	1° 21'	140	2	27,3	0° 54'	36,9	1° 13'
85	2	25,9	0° 51'	34,6	1° 8'	140	3	32,3	0° 43'	43,9	0° 58'
85	3	30,5	0° 40'	41,6	0° 55'	140	4	36,9	0° 37'	49	0° 49'
85	4	34,6	0° 34'	46,2	0° 46'	140	6	43,9	0° 29'	57,7	0° 38'
85	6	41,6	0° 28'	54,5	0° 36'	145	2	27,3	0° 54'	36,9	1° 13'
88	1,5	23,1	1° 1'	30,5	1° 21'	145	3	32,3	0° 43'	43,9	0° 58'
90	1,5	23,1	1° 1'	30,5	1° 21'	145	4	36,9	0° 37'	49	0° 49'
90	2	25,9	0° 51'	34,6	1° 8'	145	6	43,9	0° 29'	57,7	0° 38'
90	3	30,5	0° 40'	41,6	0° 55'	150	2	27,3	0° 54'	36,9	1° 13'
90	4	34,6	0° 34'	46,2	0° 46'	150	3	32,3	0° 43'	43,9	0° 58'
90	6	41,6	0° 28'	54,5	0° 36'	150	4	36,9	0° 37'	49	0° 49'
95	2	27,3	0° 54'	36,9	1° 13'	150	6	43,9	0° 29'	57,7	0° 38'
95	3	32,3	0° 43'	43,9	0° 58'	155	3	32,3	0° 43'	43,9	0° 58'

Table 6 (continued)

Nominal diameter	Pitch	External thread		Internal thread		Nominal diameter	Pitch	External thread		Internal thread	
		d or D mm	P mm	ΔP μm	$\Delta\alpha$			ΔP μm	$\Delta\alpha$	d or D mm	P mm
155	4	36,9	0° 37'	49	0° 49'	220	6	46,2	0° 31'	61,2	0° 40'
155	6	43,9	0° 29'	57,7	0° 38'	225	3	36,9	0° 49'	49	1° 5'
160	3	32,3	0° 43'	43,9	0° 58'	225	4	41,6	0° 41'	54,5	0° 54'
160	4	36,9	0° 37'	49	0° 49'	225	6	46,2	0° 31'	61,2	0° 40'
160	6	43,9	0° 29'	57,7	0° 38'	230	3	36,9	0° 49'	49	1° 5'
165	3	32,3	0° 43'	43,9	0° 58'	230	4	41,6	0° 41'	54,5	0° 54'
165	4	36,9	0° 37'	49	0° 49'	230	6	46,2	0° 31'	61,2	0° 40'
165	6	43,9	0° 29'	57,7	0° 38'	235	3	36,9	0° 49'	49	1° 5'
170	3	32,3	0° 43'	43,9	0° 58'	235	4	41,6	0° 41'	54,5	0° 54'
170	4	36,9	0° 37'	49	0° 49'	235	6	46,2	0° 31'	61,2	0° 40'
170	6	43,9	0° 29'	57,7	0° 38'	240	3	36,9	0° 49'	49	1° 5'
175	3	32,3	0° 43'	43,9	0° 58'	240	4	41,6	0° 41'	54,5	0° 54'
175	4	36,9	0° 37'	49	0° 49'	240	6	46,2	0° 31'	61,2	0° 40'
175	6	43,9	0° 29'	57,7	0° 38'	245	3	36,9	0° 49'	49	1° 5'
180	3	32,3	0° 43'	43,9	0° 58'	245	4	41,6	0° 41'	54,5	0° 54'
180	4	36,9	0° 37'	49	0° 49'	245	6	46,2	0° 31'	61,2	0° 40'
180	6	43,9	0° 29'	57,7	0° 38'	250	3	36,9	0° 49'	49	1° 5'
185	3	36,9	0° 49'	49	1° 5'	250	4	41,6	0° 41'	54,5	0° 54'
185	4	41,6	0° 41'	54,5	0° 54'	250	6	46,2	0° 31'	61,2	0° 40'
185	6	46,2	0° 31'	61,2	0° 40'	255	4	41,6	0° 41'	54,5	0° 54'
190	3	36,9	0° 49'	49	1° 5'	255	6	46,2	0° 31'	61,2	0° 40'
190	4	41,6	0° 41'	54,5	0° 54'	260	4	41,6	0° 41'	54,5	0° 54'
190	6	46,2	0° 31'	61,2	0° 40'	260	6	46,2	0° 31'	61,2	0° 40'
195	3	36,9	0° 49'	49	1° 5'	265	4	41,6	0° 41'	54,5	0° 54'
195	4	41,6	0° 41'	54,5	0° 54'	265	6	46,2	0° 31'	61,2	0° 40'
195	6	46,2	0° 31'	61,2	0° 40'	270	4	41,6	0° 41'	54,5	0° 54'
200	3	36,9	0° 49'	49	1° 5'	270	6	46,2	0° 31'	61,2	0° 40'
200	4	41,6	0° 41'	54,5	0° 54'	275	4	41,6	0° 41'	54,5	0° 54'
200	6	46,2	0° 31'	61,2	0° 40'	275	6	46,2	0° 31'	61,2	0° 40'
205	3	36,9	0° 49'	49	1° 5'	280	4	41,6	0° 41'	54,5	0° 54'
205	4	41,6	0° 41'	54,5	0° 54'	280	6	46,2	0° 31'	61,2	0° 40'
205	6	46,2	0° 31'	61,2	0° 40'	285	4	41,6	0° 41'	54,5	0° 54'
210	3	36,9	0° 49'	49	1° 5'	285	6	46,2	0° 31'	61,2	0° 40'
210	4	41,6	0° 41'	54,5	0° 54'	290	4	41,6	0° 41'	54,5	0° 54'
210	6	46,2	0° 31'	61,2	0° 40'	290	6	46,2	0° 31'	61,2	0° 40'
215	3	36,9	0° 49'	49	1° 5'	295	4	41,6	0° 41'	54,5	0° 54'
215	4	41,6	0° 41'	54,5	0° 54'	295	6	46,2	0° 31'	61,2	0° 40'
215	6	46,2	0° 31'	61,2	0° 40'	300	4	41,6	0° 41'	54,5	0° 54'
220	3	36,9	0° 49'	49	1° 5'	300	6	46,2	0° 31'	61,2	0° 40'
220	4	41,6	0° 41'	54,5	0° 54'						

Table 7 — Limit dimensions of 4H6H internal threads of diameter < MJ6 and limit dimensions for 4H5H internal threads of diameter ≥ MJ6

Dimensions in millimetres

Thread designation	Major diameter D_3^a	Pitch diameter			Minor diameter			
		max.	D_2		max.	D_1		
			min.	T_{D2} (4H) ^b		min.	T_{D1}	
						(6H) ^b	(5H) ^b	
MJ1,6 × 0,35-4H6H	1,704	1,426	1,373	0,053	1,359	1,259	0,1	
MJ1,8 × 0,35-4H6H	1,904	1,626	1,573	0,053	1,559	1,459	0,1	
MJ2 × 0,4-4H6H	2,114	1,796	1,740	0,056	1,722	1,610	0,112	
MJ2,2 × 0,45-4H6H	2,325	1,968	1,908	0,06	1,887	1,762	0,125	
MJ2,5 × 0,35-4H6H	2,604	2,326	2,273	0,053	2,259	2,159	0,1	
MJ2,5 × 0,45-4H6H	2,625	2,268	2,208	0,06	2,187	2,062	0,125	
MJ3 × 0,35-4H6H	3,107	2,829	2,773	0,056	2,759	2,659	0,1	
MJ3 × 0,5-4H6H	3,135	2,738	2,675	0,063	2,653	2,513	0,14	
MJ3,5 × 0,35-4H6H	3,607	3,329	3,273	0,056	3,259	3,159	0,1	
MJ3,5 × 0,6-4H6H	3,658	3,181	3,110	0,071	3,075	2,915	0,16	
MJ4 × 0,5-4H6H	4,135	3,738	3,675	0,063	3,653	3,513	0,14	
MJ4 × 0,7-4H6H	4,176	3,620	3,545	0,075	3,498	3,318	0,18	
MJ4,5 × 0,5-4H6H	4,635	4,238	4,175	0,063	4,153	4,013	0,14	
MJ4,5 × 0,75-4H6H	4,683	4,088	4,013	0,075	3,959	3,769	0,19	
MJ5 × 0,5-4H6H	5,135	4,738	4,675	0,063	4,653	4,513	0,14	
MJ5 × 0,8-4H6H	5,195	4,56	4,48	0,08	4,421	4,221	0,2	
MJ5,5 × 0,5-4H6H	5,635	5,238	5,175	0,063	5,153	5,013	0,14	
MJ6 × 0,75-4H5H	6,193	5,598	5,513	0,085	5,419	5,269		0,15
MJ6 × 1-4H5H	6,239	5,445	5,350	0,095	5,216	5,026		0,19
MJ7 × 0,75-4H5H	7,193	6,598	6,513	0,085	6,419	6,269		0,15
MJ7 × 1-4H5H	7,239	6,445	6,350	0,095	6,216	6,026		0,19
MJ8 × 0,75-4H5H	8,193	7,598	7,513	0,085	7,419	7,269		0,15
MJ8 × 1-4H5H	8,239	7,445	7,350	0,095	7,216	7,026		0,19
MJ8 × 1,25-4H5H	8,28	7,288	7,188	0,1	6,994	6,782		0,212
MJ9 × 0,75-4H5H	9,193	8,598	8,513	0,085	8,419	8,269		0,15
MJ9 × 1-4H5H	9,239	8,445	8,350	0,095	8,216	8,026		0,19
MJ9 × 1,25-4H5H	9,28	8,288	8,188	0,1	7,994	7,782		0,212
MJ10 × 0,75-4H5H	10,193	9,598	9,513	0,085	9,419	9,269		0,15
MJ10 × 1-4H5H	10,239	9,445	9,350	0,095	9,216	9,026		0,19
MJ10 × 1,25-4H5H	10,28	9,288	9,188	0,1	8,994	8,782		0,212
MJ10 × 1,5-4H5H	10,329	9,138	9,026	0,112	8,775	8,539		0,236
MJ11 × 0,75-4H5H	11,193	10,598	10,513	0,085	10,419	10,269		0,15
MJ11 × 1-4H5H	11,239	10,445	10,350	0,095	10,216	10,026		0,19
MJ11 × 1,25-4H5H	11,28	10,288	10,188	0,1	9,994	9,782		0,212
MJ11 × 1,5-4H5H	11,329	10,138	10,026	0,112	9,775	9,539		0,236
MJ12 × 1-4H5H	12,244	11,45	11,35	0,1	11,216	11,026		0,19
MJ12 × 1,25-4H5H	12,292	11,300	11,188	0,112	10,994	10,782		0,212
MJ12 × 1,5-4H5H	12,335	11,144	11,026	0,118	10,775	10,539		0,236
MJ12 × 1,75-4H5H	12,378	10,988	10,863	0,125	10,560	10,295		0,265
MJ14 × 1-4H5H	14,244	13,45	13,35	0,1	13,216	13,026		0,19
MJ14 × 1,25-4H5H	14,292	13,300	13,188	0,112	12,994	12,782		0,212
MJ14 × 1,5-4H5H	14,335	13,144	13,026	0,118	12,775	12,539		0,236
MJ14 × 2-4H5H	14,421	12,833	12,701	0,132	12,351	12,051		0,3
MJ15 × 1-4H5H	15,244	14,45	14,35	0,1	14,216	14,026		0,19
MJ15 × 1,5-4H5H	15,335	14,144	14,026	0,118	13,775	13,539		0,236
MJ16 × 1-4H5H	16,244	15,45	15,35	0,1	15,216	15,026		0,19

Table 7 (continued)

Dimensions in millimetres

Thread designation	Major diameter D_3^a	Pitch diameter			Minor diameter			
		max.	D_2		max.	D_1		
			min.	T_{D2} (4H) ^b		min.	T_{D1}	
						(6H) ^b	(5H) ^b	
MJ16 × 1,5-4H5H	16,335	15,144	15,026	0,118	14,775	14,539		0,236
MJ16 × 2-4H5H	16,421	14,833	14,701	0,132	14,351	14,051		0,3
MJ17 × 1-4H5H	17,244	16,45	16,35	0,1	16,216	16,026		0,19
MJ17 × 1,5-4H5H	17,335	16,144	16,026	0,118	15,775	15,539		0,236
MJ18 × 1-4H5H	18,244	17,45	17,35	0,1	17,216	17,026		0,19
MJ18 × 1,5-4H5H	18,335	17,144	17,026	0,118	16,775	16,539		0,236
MJ18 × 2-4H5H	18,421	16,833	16,701	0,132	16,351	16,051		0,3
MJ18 × 2,5-4H5H	18,501	16,516	16,376	0,14	15,919	15,564		0,355
MJ20 × 1-4H5H	20,244	19,45	19,35	0,1	19,216	19,026		0,19
MJ20 × 1,5-4H5H	20,335	19,144	19,026	0,118	18,775	18,539		0,236
MJ20 × 2-4H5H	20,421	18,833	18,701	0,132	18,351	18,051		0,3
MJ20 × 2,5-4H5H	20,501	18,516	18,376	0,14	17,919	17,564		0,355
MJ22 × 1-4H5H	22,244	21,45	21,35	0,1	21,216	21,026		0,19
MJ22 × 1,5-4H5H	22,335	21,144	21,026	0,118	20,775	20,539		0,236
MJ22 × 2-4H5H	22,421	20,833	20,701	0,132	20,351	20,051		0,3
MJ22 × 2,5-4H5H	22,501	20,516	20,376	0,14	19,919	19,564		0,355
MJ24 × 1-4H5H	24,25	23,456	23,350	0,106	23,216	23,026		0,19
MJ24 × 1,5-4H5H	24,342	23,151	23,026	0,125	22,775	22,539		0,236
MJ24 × 2-4H5H	24,429	22,841	22,701	0,14	22,351	22,051		0,3
MJ24 × 3-4H5H	24,603	22,221	22,051	0,17	21,477	21,077		0,4
MJ25 × 1-4H5H	25,25	24,456	24,350	0,106	24,216	24,026		0,19
MJ25 × 1,5-4H5H	25,342	24,151	24,026	0,125	23,775	23,539		0,236
MJ25 × 2-4H5H	25,429	23,841	23,701	0,14	23,351	23,051		0,3
MJ26 × 1,5-4H5H	26,342	25,151	25,026	0,125	24,775	24,539		0,236
MJ27 × 1-4H5H	27,25	26,456	26,350	0,106	26,216	26,026		0,19
MJ27 × 1,5-4H5H	27,342	26,151	26,026	0,125	25,775	25,539		0,236
MJ27 × 2-4H5H	27,429	25,841	25,701	0,14	25,351	25,051		0,3
MJ27 × 3-4H5H	27,603	25,221	25,051	0,17	24,477	24,077		0,4
MJ28 × 1-4H5H	28,25	27,456	27,350	0,106	27,216	27,026		0,19
MJ28 × 1,5-4H5H	28,342	27,151	27,026	0,125	26,775	26,539		0,236
MJ28 × 2-4H5H	28,429	26,841	26,701	0,14	26,351	26,051		0,3
MJ30 × 1-4H5H	30,25	29,456	29,350	0,106	29,216	29,026		0,19
MJ30 × 1,5-4H5H	30,342	29,151	29,026	0,125	28,775	28,539		0,236
MJ30 × 2-4H5H	30,429	28,841	28,701	0,14	28,351	28,051		0,3
MJ30 × 3-4H5H	30,603	28,221	28,051	0,17	27,477	27,077		0,4
MJ30 × 3,5-4H5H	30,685	27,907	27,727	0,18	27,04	26,59		0,45
MJ32 × 1,5-4H5H	32,342	31,151	31,026	0,125	30,775	30,539		0,236
MJ32 × 2-4H5H	32,429	30,841	30,701	0,14	30,351	30,051		0,3
MJ33 × 1,5-4H5H	33,342	32,151	32,026	0,125	31,775	31,539		0,236
MJ33 × 2-4H5H	33,429	31,841	31,701	0,14	31,351	31,051		0,3
MJ33 × 3-4H5H	33,603	31,221	31,051	0,17	30,477	30,077		0,4
MJ33 × 3,5-4H5H	33,685	30,907	30,727	0,18	30,04	29,590		0,45
MJ35 × 1,5-4H5H	35,342	34,151	34,026	0,125	33,775	33,539		0,236
MJ35 × 2-4H5H	35,429	33,841	33,701	0,14	33,351	33,051		0,3
MJ36 × 1,5-4H5H	36,342	35,151	35,026	0,125	34,775	34,539		0,236
MJ36 × 2-4H5H	36,429	34,841	34,701	0,14	34,351	34,051		0,3
MJ36 × 3-4H5H	36,603	34,221	34,051	0,17	33,477	33,077		0,4

Table 7 (continued)

Dimensions in millimetres

Thread designation	Major diameter D_3^a	Pitch diameter			Minor diameter			
		D_2		T_{D2} (4H) ^b	D_1		T_{D1}	
		max.	min.		max.	min.	(6H) ^b	(5H) ^b
MJ36 × 4-4H5H	36,767	33,592	33,402	0,19	32,578	32,103		0,475
MJ38 × 1,5-4H5H	38,342	37,151	37,026	0,125	36,775	36,539		0,236
MJ39 × 1,5-4H5H	39,342	38,151	38,026	0,125	37,775	37,539		0,236
MJ39 × 2-4H5H	39,429	37,841	37,701	0,14	37,351	37,051		0,3
MJ39 × 3-4H5H	39,603	37,221	37,051	0,17	36,477	36,077		0,4
MJ39 × 4-4H5H	39,767	36,592	36,402	0,19	35,578	35,103		0,475
MJ40 × 1,5-4H5H	40,342	39,151	39,026	0,125	38,775	38,539		0,236
MJ40 × 2-4H5H	40,429	38,841	38,701	0,14	38,351	38,051		0,3
MJ40 × 3-4H5H	40,603	38,221	38,051	0,17	37,477	37,077		0,4
MJ42 × 1,5-4H5H	42,342	41,151	41,026	0,125	40,775	40,539		0,236
MJ42 × 2-4H5H	42,429	40,841	40,701	0,14	40,351	40,051		0,3
MJ42 × 3-4H5H	42,603	40,221	40,051	0,17	39,477	39,077		0,4
MJ42 × 4-4H5H	42,767	39,592	39,402	0,19	38,578	38,103		0,475
MJ42 × 4,5-4H5H	42,850	39,277	39,077	0,2	38,146	37,616		0,53
MJ45 × 1,5-4H5H	45,342	44,151	44,026	0,125	43,775	43,539		0,236
MJ45 × 2-4H5H	45,429	43,841	43,701	0,14	43,351	43,051		0,3
MJ45 × 3-4H5H	45,603	43,221	43,051	0,17	42,477	42,077		0,4
MJ45 × 4-4H5H	45,767	42,592	42,402	0,19	41,578	41,103		0,475
MJ45 × 4,5-4H5H	45,85	42,277	42,077	0,2	41,146	40,616		0,53
MJ48 × 1,5-4H5H	48,349	47,158	47,026	0,132	46,775	46,539		0,236
MJ48 × 2-4H5H	48,439	46,851	46,701	0,15	46,351	46,051		0,3
MJ48 × 3-4H5H	48,613	46,231	46,051	0,18	45,477	45,077		0,4
MJ48 × 4-4H5H	48,777	45,602	45,402	0,2	44,578	44,103		0,475
MJ48 × 5-4H5H	48,934	44,964	44,752	0,212	43,689	43,129		0,56
MJ50 × 1,5-4H5H	50,349	49,158	49,026	0,132	48,775	48,539		0,236
MJ50 × 2-4H5H	50,439	48,851	48,701	0,15	48,351	48,051		0,3
MJ50 × 3-4H5H	50,613	48,231	48,051	0,18	47,477	47,077		0,4
MJ52 × 1,5-4H5H	52,349	51,158	51,026	0,132	50,775	50,539		0,236
MJ52 × 2-4H5H	52,439	50,851	50,701	0,15	50,351	50,051		0,3
MJ52 × 3-4H5H	52,613	50,231	50,051	0,18	49,477	49,077		0,4
MJ52 × 4-4H5H	52,777	49,602	49,402	0,2	48,578	48,103		0,475
MJ52 × 5-4H5H	52,934	48,964	48,752	0,212	47,689	47,129		0,56
MJ55 × 1,5-4H5H	55,349	54,158	54,026	0,132	53,775	53,539		0,236
MJ55 × 2-4H5H	55,439	53,851	53,701	0,15	53,351	53,051		0,3
MJ55 × 3-4H5H	55,613	53,231	53,051	0,18	52,477	52,077		0,4
MJ55 × 4-4H5H	55,777	52,602	52,402	0,2	51,578	51,103		0,475
MJ56 × 1,5-4H5H	56,349	55,158	55,026	0,132	54,775	54,539		0,236
MJ56 × 2-4H5H	56,439	54,851	54,701	0,15	54,351	54,051		0,3
MJ56 × 3-4H5H	56,613	54,231	54,051	0,18	53,477	53,077		0,4
MJ56 × 4-4H5H	56,777	53,602	53,402	0,2	52,578	52,103		0,475
MJ56 × 5,5-4H5H	57,018	52,652	52,428	0,224	51,241	50,641		0,6
MJ58 × 1,5-4H5H	58,349	57,158	57,026	0,132	56,775	56,539		0,236
MJ58 × 2-4H5H	58,439	56,851	56,701	0,15	56,351	56,051		0,3
MJ58 × 3-4H5H	58,613	56,231	56,051	0,18	55,477	55,077		0,4
MJ58 × 4-4H5H	58,777	55,602	55,402	0,2	54,578	54,103		0,475
MJ60 × 1,5-4H5H	60,349	59,158	59,026	0,132	58,775	58,539		0,236
MJ60 × 2-4H5H	60,439	58,851	58,701	0,15	58,351	58,051		0,3

Table 7 (continued)

Dimensions in millimetres

Thread designation	Major diameter D_3^a	Pitch diameter			Minor diameter			
		max.	D_2		max.	min.	D_1	
			max.	min.			T_{D2} (4H) ^b	(6H) ^b
MJ60 × 3-4H5H	60,613	58,231	58,051	0,18	57,477	57,077		0,4
MJ60 × 4-4H5H	60,777	57,602	57,402	0,2	56,578	56,103		0,475
MJ60 × 5,5-4H5H	61,018	56,652	56,428	0,224	55,241	54,641		0,6
MJ62 × 1,5-4H5H	62,349	61,158	61,026	0,132	60,775	60,539		0,236
MJ62 × 2-4H5H	62,439	60,851	60,701	0,15	60,351	60,051		0,3
MJ62 × 3-4H5H	62,613	60,231	60,051	0,18	59,477	59,077		0,4
MJ62 × 4-4H5H	62,777	59,602	59,402	0,2	58,578	58,103		0,475
MJ64 × 1,5-4H5H	64,349	63,158	63,026	0,132	62,775	62,539		0,236
MJ64 × 2-4H5H	64,439	62,851	62,701	0,15	62,351	62,051		0,3
MJ64 × 3-4H5H	64,613	62,231	62,051	0,18	61,477	61,077		0,4
MJ64 × 4-4H5H	64,777	61,602	61,402	0,2	60,578	60,103		0,475
MJ64 × 6-4H5H	65,102	60,339	60,103	0,236	58,784	58,154		0,63
MJ65 × 1,5-4H5H	65,349	64,158	64,026	0,132	63,775	63,539		0,236
MJ65 × 2-4H5H	65,439	63,851	63,701	0,15	63,351	63,051		0,3
MJ65 × 3-4H5H	65,613	63,231	63,051	0,18	62,477	62,077		0,4
MJ65 × 4-4H5H	65,777	62,602	62,402	0,2	61,578	61,103		0,475
MJ68 × 1,5-4H5H	68,349	67,158	67,026	0,132	66,775	66,539		0,236
MJ68 × 2-4H5H	68,439	66,851	66,701	0,15	66,351	66,051		0,3
MJ68 × 3-4H5H	68,613	66,231	66,051	0,18	65,477	65,077		0,4
MJ68 × 4-4H5H	68,777	65,602	65,402	0,2	64,578	64,103		0,475
MJ68 × 6-4H5H	69,102	64,339	64,103	0,236	62,784	62,154		0,63
MJ70 × 1,5-4H5H	70,349	69,158	69,026	0,132	68,775	68,539		0,236
MJ70 × 2-4H5H	70,439	68,851	68,701	0,15	68,351	68,051		0,3
MJ70 × 3-4H5H	70,613	68,231	68,051	0,18	67,477	67,077		0,4
MJ70 × 4-4H5H	70,777	67,602	67,402	0,2	66,578	66,103		0,475
MJ70 × 6-4H5H	71,102	66,339	66,103	0,236	64,784	64,154		0,63
MJ72 × 1,5-4H5H	72,349	71,158	71,026	0,132	70,775	70,539		0,236
MJ72 × 2-4H5H	72,439	70,851	70,701	0,15	70,351	70,051		0,3
MJ72 × 3-4H5H	72,613	70,231	70,051	0,18	69,477	69,077		0,4
MJ72 × 4-4H5H	72,777	69,602	69,402	0,2	68,578	68,103		0,475
MJ72 × 6-4H5H	73,102	68,339	68,103	0,236	66,784	66,154		0,63
MJ75 × 1,5-4H5H	75,349	74,158	74,026	0,132	73,775	73,539		0,236
MJ75 × 2-4H5H	75,439	73,851	73,701	0,15	73,351	73,051		0,3
MJ75 × 3-4H5H	75,613	73,231	73,051	0,18	72,477	72,077		0,4
MJ75 × 4-4H5H	75,777	72,602	72,402	0,2	71,578	71,103		0,475
MJ76 × 1,5-4H5H	76,349	75,158	75,026	0,132	74,775	74,539		0,236
MJ76 × 3-4H5H	76,583	74,201	74,051	0,15	73,477	73,077		0,4
MJ76 × 4-4H5H	76,757	73,582	73,402	0,18	72,578	72,103		0,475
MJ76 × 6-4H5H	77,066	72,303	72,103	0,2	70,784	70,154		0,63
MJ78 × 1,5-4H5H	78,349	77,158	77,026	0,132	76,775	76,539		0,236
MJ78 × 2-4H5H	78,439	76,851	76,701	0,15	76,451	76,051		0,4
MJ78 × 3-4H5H	78,613	76,231	76,051	0,18	75,552	75,077		0,475
MJ80 × 1,5-4H5H	80,349	79,158	79,026	0,132	78,775	78,539		0,236
MJ80 × 2-4H5H	80,439	78,851	78,701	0,15	78,351	78,051		0,3
MJ80 × 3-4H5H	80,613	78,231	78,051	0,18	77,477	77,077		0,4
MJ80 × 4-4H5H	80,777	77,602	77,402	0,2	76,578	76,103		0,475
MJ80 × 6-4H5H	81,102	76,339	76,103	0,236	74,784	74,154		0,63

Table 7 (continued)

Dimensions in millimetres

Thread designation	Major diameter D_3^a	Pitch diameter			Minor diameter			
		D_2		T_{D2} (4H) ^b	D_1		T_{D1}	
		max.	min.		max.	min.	(6H) ^b	(5H) ^b
MJ82 × 1,5-4H5H	82,349	81,158	81,026	0,132	80,775	80,539		0,236
MJ82 × 2-4H5H	82,439	80,851	80,701	0,15	80,351	80,051		0,3
MJ82 × 3-4H5H	82,613	80,231	80,051	0,18	79,477	79,077		0,4
MJ85 × 1,5-4H5H	85,349	84,158	84,026	0,132	83,775	83,539		0,236
MJ85 × 2-4H5H	85,439	83,851	83,701	0,15	83,351	83,051		0,3
MJ85 × 3-4H5H	85,613	83,231	83,051	0,18	82,477	82,077		0,4
MJ85 × 4-4H5H	85,777	82,602	82,402	0,2	81,578	81,103		0,475
MJ85 × 6-4H5H	86,102	81,339	81,103	0,236	79,784	79,154		0,63
MJ88 × 1,5-4H5H	88,349	87,158	87,026	0,132	86,775	86,539		0,236
MJ90 × 1,5-4H5H	90,349	89,158	89,026	0,132	88,775	88,539		0,236
MJ90 × 2-4H5H	90,439	88,851	88,701	0,15	88,351	88,051		0,3
MJ90 × 3-4H5H	90,613	88,231	88,051	0,18	87,477	87,077		0,4
MJ90 × 4-4H5H	90,777	87,602	87,402	0,2	86,578	86,103		0,475
MJ90 × 6-4H5H	91,102	86,339	86,103	0,236	84,784	84,154		0,63
MJ95 × 2-4H5H	95,449	93,861	93,701	0,16	93,351	93,051		0,3
MJ95 × 3-4H5H	95,623	93,241	93,051	0,19	92,477	92,077		0,4
MJ95 × 4-4H5H	95,789	92,614	92,402	0,212	91,578	91,103		0,475
MJ95 × 6-4H5H	96,116	91,353	91,103	0,25	89,784	89,154		0,63
MJ100 × 2-4H5H	100,449	98,861	98,701	0,16	98,351	98,051		0,3
MJ100 × 3-4H5H	100,623	98,241	98,051	0,19	97,477	97,077		0,4
MJ100 × 4-4H5H	100,789	97,614	97,402	0,212	96,578	96,103		0,475
MJ100 × 6-4H5H	101,116	96,353	96,103	0,25	94,784	94,154		0,63
MJ105 × 2-4H5H	105,449	103,861	103,701	0,16	103,351	103,051		0,3
MJ105 × 3-4H5H	105,623	103,241	103,051	0,19	102,477	102,077		0,4
MJ105 × 4-4H5H	105,789	102,614	102,402	0,212	101,578	101,103		0,475
MJ105 × 6-4H5H	106,116	101,353	101,103	0,25	99,784	99,154		0,63
MJ110 × 2-4H5H	110,449	108,861	108,701	0,16	108,351	108,051		0,3
MJ110 × 3-4H5H	110,623	108,241	108,051	0,19	107,477	107,077		0,4
MJ110 × 4-4H5H	110,789	107,614	107,402	0,212	106,578	106,103		0,475
MJ110 × 6-4H5H	111,116	106,353	106,103	0,25	104,784	104,154		0,63
MJ115 × 2-4H5H	115,449	113,861	113,701	0,16	113,351	113,051		0,3
MJ115 × 3-4H5H	115,623	113,241	113,051	0,19	112,477	112,077		0,4
MJ115 × 4-4H5H	115,789	112,614	112,402	0,212	111,578	111,103		0,475
MJ115 × 6-4H5H	116,116	111,353	111,103	0,25	109,784	109,154		0,63
MJ120 × 2-4H5H	120,449	118,861	118,701	0,16	118,351	118,051		0,3
MJ120 × 3-4H5H	120,623	118,241	118,051	0,19	117,477	117,077		0,4
MJ120 × 4-4H5H	120,789	117,614	117,402	0,212	116,578	116,103		0,475
MJ120 × 6-4H5H	121,116	116,353	116,103	0,25	114,784	114,154		0,63
MJ125 × 2-4H5H	125,449	123,861	123,701	0,16	123,351	123,051		0,3
MJ125 × 3-4H5H	125,623	123,241	123,051	0,19	122,477	122,077		0,4
MJ125 × 4-4H5H	125,789	122,614	122,402	0,212	121,578	121,103		0,475
MJ125 × 6-4H5H	126,116	121,353	121,103	0,25	119,784	119,154		0,63
MJ130 × 2-4H5H	130,449	128,861	128,701	0,16	128,351	128,051		0,3
MJ130 × 3-4H5H	130,623	128,241	128,051	0,19	127,477	127,077		0,4
MJ130 × 4-4H5H	130,789	127,614	127,402	0,212	126,578	126,103		0,475
MJ130 × 6-4H5H	131,116	126,353	126,103	0,25	124,784	124,154		0,63
MJ135 × 2-4H5H	135,449	133,861	133,701	0,16	133,351	133,051		0,3

Table 7 (continued)

Dimensions in millimetres

Thread designation	Major diameter D_3^a	Pitch diameter			Minor diameter			
		max.	D_2		max.	D_1		T_{D1} (5H) ^b
			max.	min.		min.	(6H) ^b	
MJ135 × 3-4H5H	135,623	133,241	133,051	0,19	132,477	132,077		0,4
MJ135 × 4-4H5H	135,789	132,614	132,402	0,212	131,578	131,103		0,475
MJ135 × 6-4H5H	136,116	131,353	131,103	0,25	129,784	129,154		0,63
MJ140 × 2-4H5H	140,449	138,861	138,701	0,16	138,351	138,051		0,3
MJ140 × 3-4H5H	140,623	138,241	138,051	0,19	137,477	137,077		0,4
MJ140 × 4-4H5H	140,789	137,614	137,402	0,212	136,578	136,103		0,475
MJ140 × 6-4H5H	141,116	136,353	136,103	0,25	134,784	134,154		0,63
MJ145 × 2-4H5H	145,449	143,861	143,701	0,16	143,351	143,051		0,3
MJ145 × 3-4H5H	145,623	143,241	143,051	0,19	142,477	142,077		0,4
MJ145 × 4-4H5H	145,789	142,614	142,402	0,212	141,578	141,103		0,475
MJ145 × 6-4H5H	146,116	141,353	141,103	0,25	139,784	139,154		0,63
MJ150 × 2-4H5H	150,449	148,861	148,701	0,16	148,351	148,051		0,3
MJ150 × 3-4H5H	150,623	148,241	148,051	0,19	147,477	147,077		0,4
MJ150 × 4-4H5H	150,789	147,614	147,402	0,212	146,578	146,103		0,475
MJ150 × 6-4H5H	151,116	146,353	146,103	0,25	144,784	144,154		0,63
MJ155 × 3-4H5H	155,623	153,241	153,051	0,19	152,477	152,077		0,4
MJ155 × 4-4H5H	155,789	152,614	152,402	0,212	151,578	151,103		0,475
MJ155 × 6-4H5H	156,116	151,353	151,103	0,25	149,784	149,154		0,63
MJ160 × 3-4H5H	160,623	158,241	158,051	0,19	157,477	157,077		0,4
MJ160 × 4-4H5H	160,789	157,614	157,402	0,212	156,578	156,103		0,475
MJ160 × 6-4H5H	161,116	156,353	156,103	0,25	154,784	154,154		0,63
MJ165 × 3-4H5H	165,623	163,241	163,051	0,19	162,477	162,077		0,4
MJ165 × 4-4H5H	165,789	162,614	162,402	0,212	161,578	161,103		0,475
MJ165 × 6-4H5H	166,116	161,353	161,103	0,25	159,784	159,154		0,63
MJ170 × 3-4H5H	170,623	168,241	168,051	0,19	167,477	167,077		0,4
MJ170 × 4-4H5H	170,789	167,614	167,402	0,212	166,578	166,103		0,475
MJ170 × 6-4H5H	171,116	166,353	166,103	0,25	164,784	164,154		0,63
MJ175 × 3-4H5H	175,623	173,241	173,051	0,19	172,477	172,077		0,4
MJ175 × 4-4H5H	175,789	172,614	172,402	0,212	171,578	171,103		0,475
MJ175 × 6-4H5H	176,116	171,353	171,103	0,25	169,784	169,154		0,63
MJ180 × 3-4H5H	180,623	178,241	178,051	0,19	177,477	177,077		0,4
MJ180 × 4-4H5H	180,789	177,614	177,402	0,212	176,578	176,103		0,475
MJ180 × 6-4H5H	181,116	176,353	176,103	0,25	174,784	174,154		0,63
MJ185 × 3-4H5H	185,645	183,263	183,051	0,212	182,477	182,077		0,4
MJ185 × 4-4H5H	185,813	182,638	182,402	0,236	181,578	181,103		0,475
MJ185 × 6-4H5H	186,131	181,368	181,103	0,265	179,784	179,154		0,63
MJ190 × 3-4H5H	190,645	188,263	188,051	0,212	187,477	187,077		0,4
MJ190 × 4-4H5H	190,813	187,638	187,402	0,236	186,578	186,103		0,475
MJ190 × 6-4H5H	191,131	186,368	186,103	0,265	184,784	184,154		0,63
MJ195 × 3-4H5H	195,645	193,263	193,051	0,212	192,477	192,077		0,4
MJ195 × 4-4H5H	195,813	192,638	192,402	0,236	191,578	191,103		0,475
MJ195 × 6-4H5H	196,131	191,368	191,103	0,265	189,784	189,154		0,63
MJ200 × 3-4H5H	200,645	198,263	198,051	0,212	197,477	197,077		0,4
MJ200 × 4-4H5H	200,813	197,638	197,402	0,236	196,578	196,103		0,475
MJ200 × 6-4H5H	201,131	196,368	196,103	0,265	194,784	194,154		0,63
MJ205 × 3-4H5H	205,645	203,263	203,051	0,212	202,477	202,077		0,4
MJ205 × 4-4H5H	205,813	202,638	202,402	0,236	201,578	201,103		0,475

Table 7 (continued)

Dimensions in millimetres

	Major diameter D_3^a	Pitch diameter			Minor diameter			
		max.	D_2		max.	D_1		T_{D1}
			max.	min.		T_{D2} (4H) ^b	min.	
MJ205 × 6-4H5H	206,131	201,368	201,103	0,265	199,784	199,154		0,63
MJ210 × 3-4H5H	210,645	208,263	208,051	0,212	207,477	207,077		0,4
MJ210 × 4-4H5H	210,813	207,638	207,402	0,236	206,578	206,103		0,475
MJ210 × 6-4H5H	211,131	206,368	206,103	0,265	204,784	204,154		0,63
MJ215 × 3-4H5H	215,645	213,263	213,051	0,212	212,477	212,077		0,4
MJ215 × 4-4H5H	215,813	212,638	212,402	0,236	211,578	211,103		0,475
MJ215 × 6-4H5H	216,131	211,368	211,103	0,265	209,784	209,154		0,63
MJ220 × 3-4H5H	220,645	218,263	218,051	0,212	217,477	217,077		0,4
MJ220 × 4-4H5H	220,813	217,638	217,402	0,236	216,578	216,103		0,475
MJ220 × 6-4H5H	221,131	216,368	216,103	0,265	214,784	214,154		0,63
MJ225 × 3-4H5H	225,645	223,263	223,051	0,212	222,477	222,077		0,4
MJ225 × 4-4H5H	225,813	222,638	222,402	0,236	221,578	221,103		0,475
MJ225 × 6-4H5H	226,131	221,368	221,103	0,265	219,784	219,154		0,63
MJ230 × 3-4H5H	230,645	228,263	228,051	0,212	227,477	227,077		0,4
MJ230 × 4-4H5H	230,813	227,638	227,402	0,236	226,578	226,103		0,475
MJ230 × 6-4H5H	231,131	226,368	226,103	0,265	224,784	224,154		0,63
MJ235 × 3-4H5H	235,645	233,263	233,051	0,212	232,477	232,077		0,4
MJ235 × 4-4H5H	235,813	232,638	232,402	0,236	231,578	231,103		0,475
MJ235 × 6-4H5H	236,131	231,368	231,103	0,265	229,784	229,154		0,63
MJ240 × 3-4H5H	240,645	238,263	238,051	0,212	237,477	237,077		0,4
MJ240 × 4-4H5H	240,813	237,638	237,402	0,236	236,578	236,103		0,475
MJ240 × 6-4H5H	241,131	236,368	236,103	0,265	234,784	234,154		0,63
MJ245 × 3-4H5H	245,645	243,263	243,051	0,212	242,477	242,077		0,4
MJ245 × 4-4H5H	245,813	242,638	242,402	0,236	241,578	241,103		0,475
MJ245 × 6-4H5H	246,131	241,368	241,103	0,265	239,784	239,154		0,63
MJ250 × 3-4H5H	250,645	248,263	248,051	0,212	247,477	247,077		0,4
MJ250 × 4-4H5H	250,813	247,638	247,402	0,236	246,578	246,103		0,475
MJ250 × 6-4H5H	251,131	246,368	246,103	0,265	244,784	244,154		0,63
MJ255 × 4-4H5H	255,813	252,638	252,402	0,236	251,578	251,103		0,475
MJ255 × 6-4H5H	256,131	251,368	251,103	0,265	249,784	249,154		0,63
MJ260 × 4-4H5H	260,813	257,638	257,402	0,236	256,578	256,103		0,475
MJ260 × 6-4H5H	261,131	256,368	256,103	0,265	254,784	254,154		0,63
MJ265 × 4-4H5H	265,813	262,638	262,402	0,236	261,578	261,103		0,475
MJ265 × 6-4H5H	266,131	261,368	261,103	0,265	259,784	259,154		0,63
MJ270 × 4-4H5H	270,813	267,638	267,402	0,236	266,578	266,103		0,475
MJ270 × 6-4H5H	271,131	266,368	266,103	0,265	264,784	264,154		0,63
MJ275 × 4-4H5H	275,813	272,638	272,402	0,236	271,578	271,103		0,475
MJ275 × 6-4H5H	276,131	271,368	271,103	0,265	269,784	269,154		0,63
MJ280 × 4-4H5H	280,813	277,638	277,402	0,236	276,578	276,103		0,475
MJ280 × 6-4H5H	281,131	276,368	276,103	0,265	274,784	274,154		0,63
MJ285 × 4-4H5H	285,813	282,638	282,402	0,236	281,578	281,103		0,475
MJ285 × 6-4H5H	286,131	281,368	281,103	0,265	279,784	279,154		0,63
MJ290 × 4-4H5H	290,813	287,638	287,402	0,236	286,578	286,103		0,475
MJ290 × 6-4H5H	291,131	286,368	286,103	0,265	284,784	284,154		0,63
MJ295 × 4-4H5H	295,813	292,638	292,402	0,236	291,578	291,103		0,475
MJ295 × 6-4H5H	296,131	291,368	291,103	0,265	289,784	289,154		0,63
MJ300 × 4-4H5H	300,813	297,638	297,402	0,236	296,578	296,103		0,475
MJ300 × 6-4H5H	301,131	296,368	296,103	0,265	294,784	294,154		0,63

^a D_3 min. is not specified. However it shall be greater than D (see Figure 4).

^b In accordance with ISO 965-1

ICS 49.030.10

Price based on 36 pages
