

INTERNATIONAL
STANDARD

ISO
5711

First edition
1995-10-01

**Tractors and machinery for agriculture and
forestry — Wheel-to-hub fixing dimensions**

*Tracteurs et matériels agricoles et forestiers — Caractéristiques
dimensionnelles de la fixation de la roue sur le moyeu*



Reference number
ISO 5711:1995(E)

ISO 5711:1995(E)**Foreword**

ISO (the International Organization for Standardization) is a worldwide federation of national standards bodies (ISO member bodies). The work of preparing International Standards is normally carried out through ISO technical committees. Each member body interested in a subject for which a technical committee has been established has the right to be represented on that committee. International organizations, governmental and non-governmental, in liaison with ISO, also take part in the work. ISO collaborates closely with the International Electrotechnical Commission (IEC) on all matters of electrotechnical standardization.

Draft International Standards adopted by the technical committees are circulated to the member bodies for voting. Publication as an International Standard requires approval by at least 75 % of the member bodies casting a vote.

International Standard ISO 5711 was prepared by Technical Committee ISO/TC 23, *Tractors and machinery for agriculture and forestry*, Subcommittee SC 4, *Tractors*.

Annex A of this International Standard is for information only.

© ISO 1995

All rights reserved. Unless otherwise specified, no part of this publication may be reproduced or utilized in any form or by any means, electronic or mechanical, including photocopying and microfilm, without permission in writing from the publisher.

International Organization for Standardization
Case postale 56 • CH-1211 Genève 20 • Switzerland

Printed in Switzerland

Tractors and machinery for agriculture and forestry — Wheel-to-hub fixing dimensions

1 Scope

This International Standard specifies the dimensional requirements for attaching wheels to hubs on tractors and machinery for agriculture and forestry. The flat attachment type with centring on a central bore is the recommended type for future equipment.

NOTE 1 Characteristics of attachments with spherical or conical centring on the stud hole are shown in annex A.

Specifications indicated do not imply that the wheel is interchangeable from one vehicle to another.

NOTE 2 Wheels fitted to driven front and rear axles which incorporate gear reduction or corresponding mechanisms within the wheel hub envelope are not covered by this International Standard.

2 Symbols

The symbols used in this International Standard are as follows:

d	stud/nut seating diameter
D_1	PCD (pitch circle diameter) of stud/nut seating hole
D_2	stud hole diameter
D_3	central bore diameter
D_4	disc flat bearing diameter
D_5	centring diameter on the hub
D_6	diameter of the hub flat bearing
r	spherical radius of the countersunk hole

3 Flat attachment with centring on central bore

Dimensions of the wheel and hub shall be as shown in figure 1 and table 1.

Dimensions in millimetres

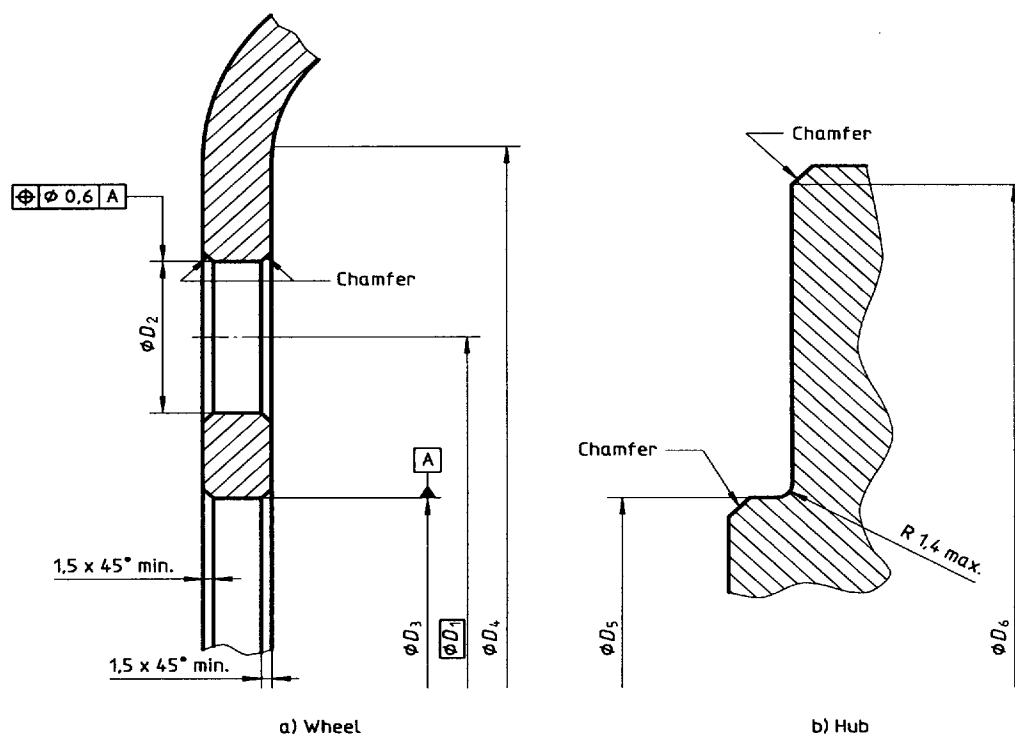


Figure 1

Table 1

Dimensions in millimetres

Number of equally spaced stud holes	Wheel				Stud diameter ¹⁾	Hub	
	D_1 nom.	D_2 +1 0	D_3 +0,5 0	D_4 min.		D_5 0 -0,2	D_6 0 -5
4	100	15	61	145	12	60,8	140
5	140	17	96	185	14	95,8	180
6	205	21	161	255	18	160,8	250
8	203,2	21	152,4	257	18	152,2	252
	275	24	221	325	20	220,8	320
10	335	26	281	390	22	280,8	385
12	425	26	371	470	22	370,8	465

1) For information only.

Annex A

(informative)

Attachments with stud-hole centring

NOTE 3 These attachment methods are not recommended for future applications and dimensions are included for information only. Tables A.1 and A.2 contain only a selection of possible dimensions. Further fixing dimensions are in use, in particular in relation to the stud diameter.

A.1 Attachment with spherical centring on stud holes

Dimensions of the wheel and hub should be as shown in figure A.1 and table A.1.

A.2 Attachment with conical centring on stud holes

Dimensions of the wheel and hub should be as shown in figure A.2 and table A.2.

Dimensions in millimetres

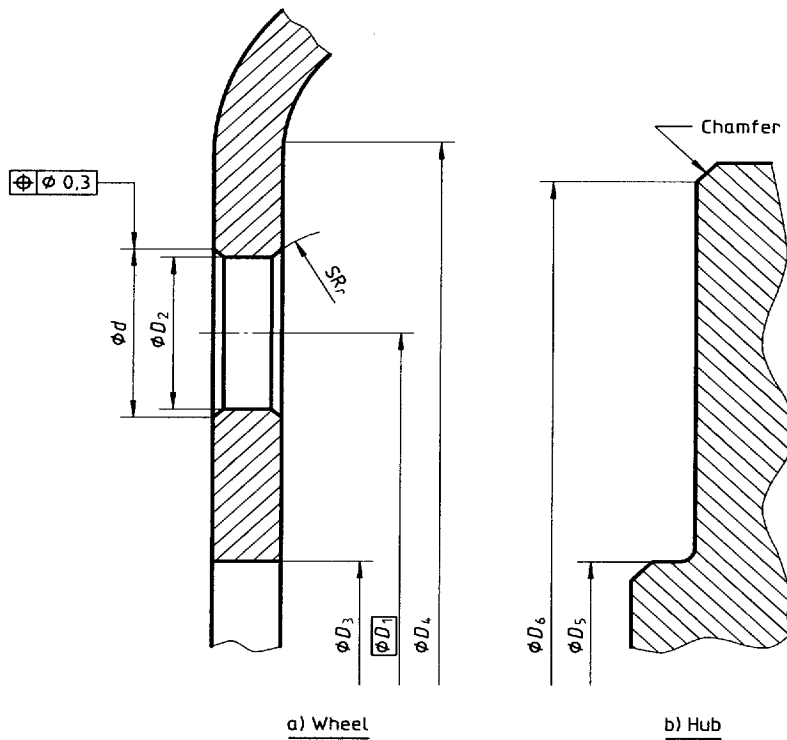


Figure A.1

Table A.1

Dimensions in millimetres

Number of equally spaced stud holes	Wheel						Stud diameter	Hub	
	D_1 nom.	D_2 +0,8 0	d +0,50 -0,25	D_3 +1 0	D_4 min.	r		D_5 max.	D_6 0 -5
4	100	18	24	60	145	14	14	59	140
5	139,7	18	24	96	185	14	14	95	180
	160	18	24	109	200	14	14	108	195
6	205	21,5	26,7	161	255	16	18	160	250
8	203,2	32	37	139,7	257	22,4	19	138	254
	275	27	32	221	325	18	20	220	320
10	335	27	32	281	385	18	22	280	380
12	425	27	32	371	470	18	22	370	465

Dimensions in millimetres

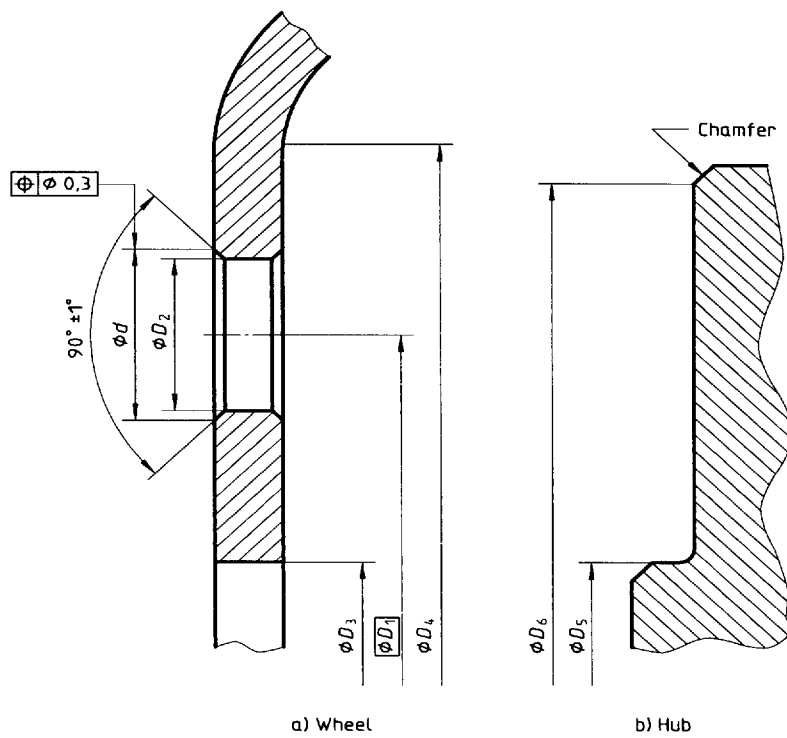


Figure A.2

Table A.2

Dimensions in millimetres

Number of equally spaced stud holes	Wheel					Stud diameter	Hub	
	D_1 nom.	D_2 +0,8 0	d +0,50 -0,25	D_3 +1 0	D_4 min.		D_5 max.	D_6 0 -5
4	127	14,7	18,5	92,2	157,5	12	91	152
5	139,7	17	21	93	170	14	92	165
6	152,4	14,7	18,5	117,7	185	12	116	180
8	203,2	18,8	27	152,4	244	17,4	151	239

ICS 65.060

Descriptors: agricultural machinery, forest equipment, tractors, agricultural tractors, vehicle wheels, hubs, fixing, dimensions.

Price based on 5 pages
