

---

---

**Tool holders with rectangular shank for  
indexable inserts —**

**Part 11:  
Style R**

*Porte-plaquette à queue rectangulaire pour plaquettes amovibles —  
Partie 11: Forme R*



Reference number  
ISO 5610-11:2010(E)

© ISO 2010

**PDF disclaimer**

This PDF file may contain embedded typefaces. In accordance with Adobe's licensing policy, this file may be printed or viewed but shall not be edited unless the typefaces which are embedded are licensed to and installed on the computer performing the editing. In downloading this file, parties accept therein the responsibility of not infringing Adobe's licensing policy. The ISO Central Secretariat accepts no liability in this area.

Adobe is a trademark of Adobe Systems Incorporated.

Details of the software products used to create this PDF file can be found in the General Info relative to the file; the PDF-creation parameters were optimized for printing. Every care has been taken to ensure that the file is suitable for use by ISO member bodies. In the unlikely event that a problem relating to it is found, please inform the Central Secretariat at the address given below.



**COPYRIGHT PROTECTED DOCUMENT**

© ISO 2010

All rights reserved. Unless otherwise specified, no part of this publication may be reproduced or utilized in any form or by any means, electronic or mechanical, including photocopying and microfilm, without permission in writing from either ISO at the address below or ISO's member body in the country of the requester.

ISO copyright office  
Case postale 56 • CH-1211 Geneva 20  
Tel. + 41 22 749 01 11  
Fax + 41 22 749 09 47  
E-mail [copyright@iso.org](mailto:copyright@iso.org)  
Web [www.iso.org](http://www.iso.org)

Published in Switzerland

## Foreword

ISO (the International Organization for Standardization) is a worldwide federation of national standards bodies (ISO member bodies). The work of preparing International Standards is normally carried out through ISO technical committees. Each member body interested in a subject for which a technical committee has been established has the right to be represented on that committee. International organizations, governmental and non-governmental, in liaison with ISO, also take part in the work. ISO collaborates closely with the International Electrotechnical Commission (IEC) on all matters of electrotechnical standardization.

International Standards are drafted in accordance with the rules given in the ISO/IEC Directives, Part 2.

The main task of technical committees is to prepare International Standards. Draft International Standards adopted by the technical committees are circulated to the member bodies for voting. Publication as an International Standard requires approval by at least 75 % of the member bodies casting a vote.

Attention is drawn to the possibility that some of the elements of this document may be the subject of patent rights. ISO shall not be held responsible for identifying any or all such patent rights.

ISO 5610-11 was prepared by Technical Committee ISO/TC 29, *Small tools*, Subcommittee SC 9, *Tools with cutting edges made of hard cutting materials*.

This first edition of ISO 5610-11, together with ISO 5610-1, ISO 5610-2, ISO 5610-3, ISO 5610-4, ISO 5610-5, ISO 5610-6, ISO 5610-7, ISO 5610-8, ISO 5610-9, ISO 5610-10, ISO 5610-12, ISO 5610-13, ISO 5610-14 and ISO 5610-15, cancels and replaces ISO 5610:1998.

ISO 5610 consists of the following parts, under the general title *Tool holders with rectangular shank for indexable inserts*:

- *Part 1: General survey, correlation and determination of dimensions*
- *Part 2: Style A*
- *Part 3: Style B*
- *Part 4: Style D*
- *Part 5: Style F*
- *Part 6: Style G*
- *Part 7: Style J*
- *Part 8: Style K*
- *Part 9: Style L*
- *Part 10: Style N*
- *Part 11: Style R*
- *Part 12: Style S*
- *Part 13: Style T*
- *Part 14: Style H*
- *Part 15: Style V*



# Tool holders with rectangular shank for indexable inserts —

## Part 11: Style R

### 1 Scope

This part of ISO 5610 specifies tool holders with rectangular shank, style R, i.e. with offset shank and cutting edge angle  $\kappa_r = 75^\circ$  for side cutting.

These tool holders are primarily intended for indexable inserts made of hardmetal or other cutting materials to be mounted by clamping and to be used for turning operations.

NOTE The symbols for the dimensions shown in the tables of this part of ISO 5610 and the corresponding preferred symbols of properties defined in ISO/TS 13399-2 and ISO/TS 13399-3 are given in ISO 5610-1:2010, Table A.1.

### 2 Normative references

The following referenced documents are indispensable for the application of this document. For dated references, only the edition cited applies. For undated references, the latest edition of the referenced document (including any amendments) applies.

ISO 5608:1995, *Turning and copying tool holders and cartridges for indexable inserts — Designation*

ISO 5610-1:2010, *Tool holders with rectangular shank for indexable inserts — Part 1: General survey, correlation and determination of dimensions*

### 3 Dimensions

#### 3.1 General

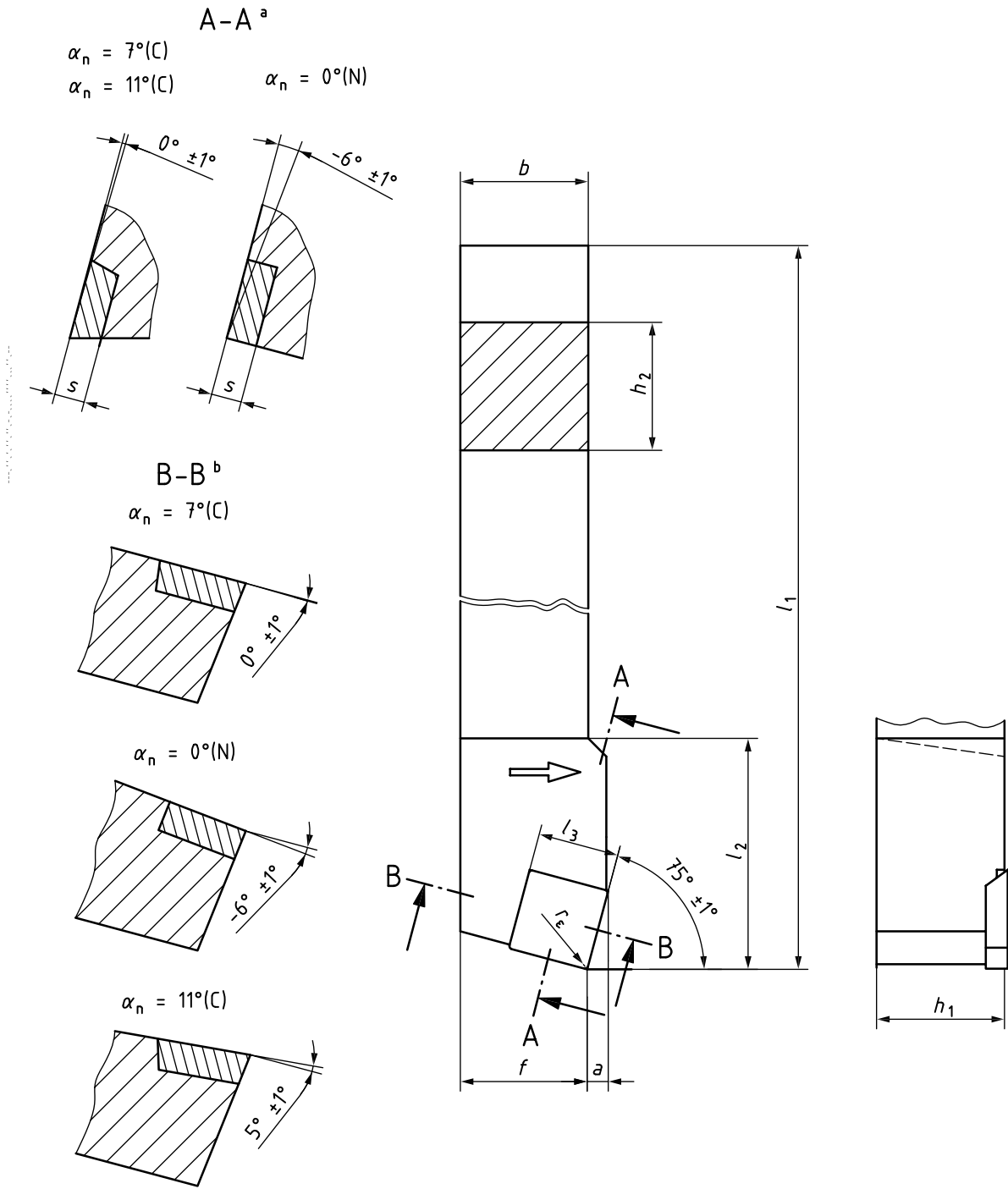
It is not necessary for tool holders to comply with the pictorial representation; only the dimensions given shall be observed.

For determination of dimensions  $h_1$ ,  $f$  and  $l_1$ , see ISO 5610-1.

For explanation of the designation code for tool holders, see ISO 5608.

NOTE The values of rake angles and inclination angles shown in the figures are recommended values; they can vary according to the application.

3.2 Tool holder style R for square indexable insert shape S



NOTE This figure shows a right-hand tool holder (R); left-hand tool holder (L) laterally reversed.

- a Inclination angle  $\lambda_n$ .
- b Rake angle  $\gamma_n$ .

Figure 1 — Tool holder style R for square indexable insert — S

Table 1

Dimensions in millimetres

Symbol <sup>a</sup>	$h_1$ js13	$b$ h13	$l_3$ ≈	$a$	$f$ $\begin{smallmatrix} +0,5 \\ 0 \end{smallmatrix}$	$h_2$ h13	$l_1^a$ k16	$l_2$ max.	$s^b$
SSRCR 1212 — 09	12	12	9,52	2,2	13	12	—	32	3,97
SSRCL 1212 — 09									3,18
PSRNR 1212 — 09									
PSRNL 1212 — 09									
CSRPR 1212 — 09									
CSRPL 1212 — 09									16
SSRCR 1616 — 12									
SSRCL 1616 — 12									
PSRNR 1616 — 12									
PSRNL 1616 — 12	20	20	12,7	3,1	22	20	—	36	4,76
SSRCR 2020 — 12									
SSRCL 2020 — 12									
PSRNR 2020 — 12									
PSRNL 2020 — 12									3,18
CSRPR 2020 — 12									
CSRPL 2020 — 12	25	25	12,7	3,9	27	25	—	36	4,76
SSRCR 2525 — 12									
SSRCL 2525 — 12									
PSRNR 2525 — 12									
PSRNL 2525 — 12									3,18
CSRPR 2525 — 12									
CSRPL 2525 — 12	25	25	15,88	4,6	27	25	—	40	5,56
SSRCR 2525 — 15									6,35
SSRCL 2525 — 15									
PSRNR 2525 — 15									
PSRNL 2525 — 15	32	25	12,7	3,9	27	32	—	36	4,76
SSRCR 3225 — 12									
SSRCL 3225 — 12									
PSRNR 3225 — 12									
PSRNL 3225 — 12									3,18
CSRPR 3225 — 12									
CSRPL 3225 — 12									

Table 1 (continued)

Dimensions in millimetres

Symbol <sup>a</sup>	$h_1$ js13	$b$ h13	$l_3$ ≈	$a$	$f$ $^{+0,5}_0$	$h_2$ h13	$l_1^a$ k16	$l_2$ max.	$s^b$
SSRCR 3225 — 15	32	25	15,88	4,6	27	32	—	40	5,56
SSRCL 3225 — 15									6,35
PSRNR 3225 — 15									
PSRNL 3225 — 15									
SSRCR 3232 — 19	32	32	19,05	4,6	35	32	—	45	6,35
SSRCL 3232 — 19									
PSRNR 3232 — 19									
PSRNL 3232 — 19									4,76
CSRPR 3232 — 19									
CSRPL 3232 — 19									
SSRCR 4040 — 19	40	40	19,05	4,6	43	40	—	45	6,35
SSRCL 4040 — 19									
PSRNR 4040 — 19									
PSRNL 4040 — 19									4,76
CSRPR 4040 — 19									
CSRPL 4040 — 19									
PSRNR 4040 — 25	40	40	25,4	5,9	43	40	—	50	7,94
PSRNL 4040 — 25									
PSRNR 5050 — 25	50	50	25,4	5,9	53	50	—	50	7,94
PSRNL 5050 — 25									

<sup>a</sup> For the selection of length,  $l_1$ , the en-dash may be replaced by the dimensions of ISO 5610-1:2010, Table 2. For letter symbols identifying the tool length, see ISO 5608:1995, Table 6.

<sup>b</sup> Insert thickness without shim, if any.

## 4 Designation

A tool holder in accordance with this part of ISO 5610 shall be designated by:

- a) “Tool holder”;
- b) reference to this part of ISO 5610, i.e. ISO 5610-11;
- c) type of mounting, in accordance with ISO 5608;
- d) symbol for indexable insert shape, in accordance with ISO 5608;
- e) symbol for tool style, in accordance with ISO 5608;
- f) symbol for the indexable insert normal clearance, in accordance with ISO 5608;
- g) symbol for hand of tool, in accordance with ISO 5608;



- h) its height,  $h_1$ , width,  $b$ , and length,  $l_1$  (symbol for tool length in accordance with ISO 5608);
- i) its cutting edge length,  $l_3$ .

**EXAMPLE** Tool holder for a horizontally mounted bore-clamped (P) square indexable insert shape S (S), tool holder style R (R), for normal clearance of indexable insert  $\alpha_n = 0^\circ$  (N), right-hand type (R), with height  $h_1 = 32$  mm and width  $b = 25$  mm (3225), length  $l_1 = 170$  mm (P), for cutting edge length  $l_3 = 15,88$  mm (15) is designated as follows:

**Tool holder ISO 5610-11 - PSRNR 3225 P15**

## 5 Material

The material should be steel with a tensile strength of at least 1 200 N/mm<sup>2</sup>.

## 6 Design

### 6.1 Type of mounting

Standard design of tool holders with indexable insert shall be mounted in accordance with Tables 1 and 2.

Other types of mounting may be left to the manufacturer's discretion or upon agreement. The letter symbol in the designation, symbol 1, shall then be replaced by the respective symbol for the chosen or agreed-upon type of mounting in accordance with ISO 5608.

For the modified type of mounting deviating from Tables 1 and 2, the relevant indexable insert thickness shall also be considered.

### 6.2 Corner radius, $r_\epsilon$

Tool holders in accordance with this part of ISO 5610 may be equipped with indexable inserts with cutting edge lengths,  $l_3$ , as specified in Tables 1 and 2 and any corner radius,  $r_\epsilon$ .

The values for  $a$  and  $f$  given in Table 1 and for  $l_1$  in ISO 5610-1:2010, Table 2, apply to tool holders with indexable inserts having corner radii,  $r_\epsilon$ , in accordance with Table 2.

**Table 2**

Dimensions in millimetres

$l_3$	$r_\epsilon$
9,52	0,8
12,7	
15,88	1,2
19,05	
25,4	2,4
NOTE The values given for $r_\epsilon$ are nominal values. The accurate values converted from the inch dimensions are 0,794 mm, 1,191 mm and 2,381 mm.	

For indexable inserts with corner radii,  $r_\epsilon$ , other than those specified in Table 2, the dimensions  $a$ ,  $f$  and  $l_1$  shall be determined in accordance with ISO 5610-1.

The tolerances on  $h_1$ ,  $f$  and  $l_1$  refer to dimensions measured with master indexable insert and master shim, if any.

### **6.3 Thickness, $s$ , of indexable insert**

The values for thickness,  $s$ , given in Table 1 apply to indexable inserts without shim and for the standard design of tool holders.

For tool holders for indexable inserts with thicknesses deviating from the specified values, the thickness shall be indicated when ordering or upon delivery (in the handbook).

## **7 Extent of delivery**

Tool holders shall be delivered complete with clamping device, but without indexable insert(s).

## **8 Marking**

Tool holders shall be marked with the letter symbol and the name or trademark of the manufacturer.

Additional marking may be left to the manufacturer's discretion or upon agreement.

Deviations in marking shall be upon agreement.

A reference to this part of ISO 5610, i.e. ISO 5610-11:2010, shall be given on the packaging.

## Bibliography

- [1] ISO 883, *Indexable hardmetal (carbide) inserts with rounded corners, without fixing hole — Dimensions*
- [2] ISO 3002-1, *Basic quantities in cutting and grinding — Part 1: Geometry of the active part of cutting tools — General terms, reference systems, tool and working angles, chip breakers*
- [3] ISO 3364, *Indexable hardmetal (carbide) inserts with rounded corners, with cylindrical fixing hole — Dimensions*
- [4] ISO 6987, *Indexable hard material inserts with rounded corners, with partly cylindrical fixing hole — Dimensions*
- [5] ISO/TS 13399-2, *Cutting tool data representation and exchange — Part 2: Reference dictionary for the cutting items*
- [6] ISO/TS 13399-3, *Cutting tool data representation and exchange — Part 3: Reference dictionary for tool items*

---

---

**ICS 25.100.01**

Price based on 7 pages