

Third edition  
2001-12-15

**AMENDMENT 1**  
2014-07-15

---

---

## Animal and vegetable fats and oils — Sampling

### AMENDMENT 1: Flexitanks

*Corps gras d'origines animale et végétale — Échantillonnage*

*AMENDEMENT 1: Citernes souples*



Reference number  
ISO 5555:2001/Amd.1:2014(E)

© ISO 2014



**COPYRIGHT PROTECTED DOCUMENT**

© ISO 2014

All rights reserved. Unless otherwise specified, no part of this publication may be reproduced or utilized otherwise in any form or by any means, electronic or mechanical, including photocopying, or posting on the internet or an intranet, without prior written permission. Permission can be requested from either ISO at the address below or ISO's member body in the country of the requester.

ISO copyright office  
Case postale 56 • CH-1211 Geneva 20  
Tel. + 41 22 749 01 11  
Fax + 41 22 749 09 47  
E-mail [copyright@iso.org](mailto:copyright@iso.org)  
Web [www.iso.org](http://www.iso.org)

Published in Switzerland

## Foreword

ISO (the International Organization for Standardization) is a worldwide federation of national standards bodies (ISO member bodies). The work of preparing International Standards is normally carried out through ISO technical committees. Each member body interested in a subject for which a technical committee has been established has the right to be represented on that committee. International organizations, governmental and non-governmental, in liaison with ISO, also take part in the work. ISO collaborates closely with the International Electrotechnical Commission (IEC) on all matters of electrotechnical standardization.

The procedures used to develop this document and those intended for its further maintenance are described in the ISO/IEC Directives, Part 1. In particular the different approval criteria needed for the different types of ISO documents should be noted. This document was drafted in accordance with the editorial rules of the ISO/IEC Directives, Part 2. [www.iso.org/directives](http://www.iso.org/directives)

Attention is drawn to the possibility that some of the elements of this document may be the subject of patent rights. ISO shall not be held responsible for identifying any or all such patent rights. Details of any patent rights identified during the development of the document will be in the Introduction and/or on the ISO list of patent declarations received. [www.iso.org/patents](http://www.iso.org/patents)

Any trade name used in this document is information given for the convenience of users and does not constitute an endorsement.

For an explanation on the meaning of ISO specific terms and expressions related to conformity assessment, as well as information about ISO's adherence to the WTO principles in the Technical Barriers to Trade (TBT) see the following URL: [Foreword - Supplementary information](#)

The committee responsible for this document is ISO/TC 34, *Food products*, Subcommittee SC 11, *Animal and vegetable fats and oils*.

## Introduction

During a systematic review of ISO 5555:2001, it was proposed to add a method for sampling flexitanks, a form of transport which is increasing in popularity for small-volume high-value oils. Flexitanks pose certain difficulties for samplers and the introduction of this subclause into ISO 5555 will ensure that representative samples of the commodity can be produced.

# Animal and vegetable fats and oils — Sampling

## AMENDMENT 1: Flexitanks

Page 8, 6.6

Add the following new subclause and new figure after 6.6.4.

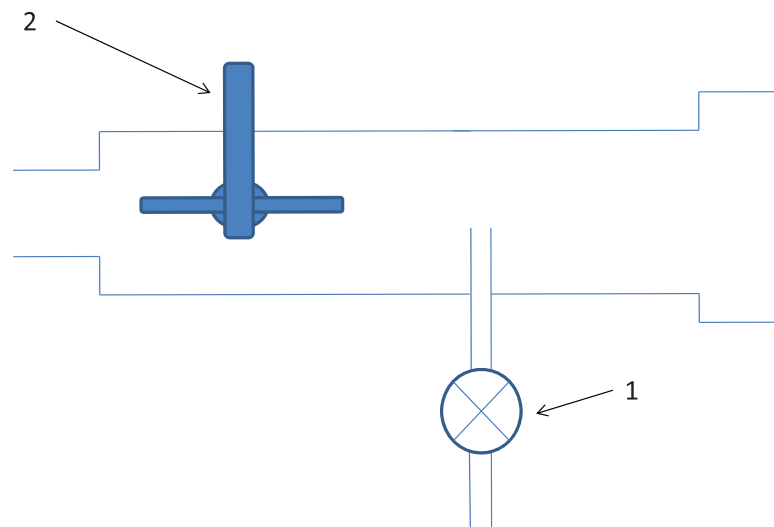
### 6.6.5 Sampling of flexitanks

“Flexitank” is the general term for a means of transporting liquid oils and fats using a flexible plastic/rubber bag inside a rigid steel/plastic container. A common format of the flexitank is a multilayer, single-use plastic bag fitted inside a 6,1 m (20 foot) general-purpose intermodal container as specified in ISO 1496-1<sup>1)</sup>. The bag is laid out inside the container and filled by pumping oil into it from a land tank, while the bag is restrained inside the container by a bulk head. A heating pad may be included in the container if required.

It is not possible to sample a flexitank once it has been filled, and sampling shall take place during the process of filling or discharging. Thus, the method described in 6.6 shall be used.

Where oil transfer facilities do not grant an appropriate point to draw representative samples, it is suggested that a length of pipe of about 0,3 m, with appropriate connections at each end and fitted with a suitable dripcock and valve, be manufactured. This pipe would then be attached between the flexitank valve and the discharge line prior to commencing loading/discharge in order to draw incremental samples throughout the process (see [Figure 2](#)).

Accordingly, incremental samples will be carefully mixed to form bulk representative samples of the whole cargo, which may then be subdivided to provide multiple samples. The minimum size of the bulk sample from a flexitank shall be 5 l, independent of the volume of oil in the tank.



#### Key

- 1 dripcock
- 2 butterfly valve

**Figure 2 — Coupling for flexitank sampling**

1) *Series 1 freight containers — Specification and testing — Part 1: General cargo containers for general purposes*

---

---

**ICS 67.200.10**

Price based on 1 page