

INTERNATIONAL STANDARD

ISO 5287

Third edition
2003-08-01

Belt drives — Narrow V-belts for the automotive industry — Fatigue test

*Transmissions par courroies — Transmissions par courroies
trapézoïdales étroites pour la construction automobile — Essai de
fatigue*



Reference number
ISO 5287:2003(E)

© ISO 2003

PDF disclaimer

This PDF file may contain embedded typefaces. In accordance with Adobe's licensing policy, this file may be printed or viewed but shall not be edited unless the typefaces which are embedded are licensed to and installed on the computer performing the editing. In downloading this file, parties accept therein the responsibility of not infringing Adobe's licensing policy. The ISO Central Secretariat accepts no liability in this area.

Adobe is a trademark of Adobe Systems Incorporated.

Details of the software products used to create this PDF file can be found in the General Info relative to the file; the PDF-creation parameters were optimized for printing. Every care has been taken to ensure that the file is suitable for use by ISO member bodies. In the unlikely event that a problem relating to it is found, please inform the Central Secretariat at the address given below.

© ISO 2003

All rights reserved. Unless otherwise specified, no part of this publication may be reproduced or utilized in any form or by any means, electronic or mechanical, including photocopying and microfilm, without permission in writing from either ISO at the address below or ISO's member body in the country of the requester.

ISO copyright office
Case postale 56 • CH-1211 Geneva 20
Tel. + 41 22 749 01 11
Fax + 41 22 749 09 47
E-mail copyright@iso.org
Web www.iso.org

Published in Switzerland

Foreword

ISO (the International Organization for Standardization) is a worldwide federation of national standards bodies (ISO member bodies). The work of preparing International Standards is normally carried out through ISO technical committees. Each member body interested in a subject for which a technical committee has been established has the right to be represented on that committee. International organizations, governmental and non-governmental, in liaison with ISO, also take part in the work. ISO collaborates closely with the International Electrotechnical Commission (IEC) on all matters of electrotechnical standardization.

International Standards are drafted in accordance with the rules given in the ISO/IEC Directives, Part 2.

The main task of technical committees is to prepare International Standards. Draft International Standards adopted by the technical committees are circulated to the member bodies for voting. Publication as an International Standard requires approval by at least 75 % of the member bodies casting a vote.

Attention is drawn to the possibility that some of the elements of this document may be the subject of patent rights. ISO shall not be held responsible for identifying any or all such patent rights.

ISO 5287 was prepared by Technical Committee ISO/TC 41, *Pulleys and belts (including veebelts)*, Subcommittee SC 1, *Friction*.

This third edition cancels and replaces the second edition (ISO 5287:1985), which has been technically revised.

.....

Belt drives — Narrow V-belts for the automotive industry — Fatigue test

1 Scope

This International Standard specifies a fatigue test for the quality control of narrow V-belts (sections AV 10 and AV 13) intended for driving the auxiliaries of internal combustion engines used for automotive purposes.

NOTE The dimensional characteristics of these belts and of the corresponding pulleys are the subject of ISO 2790.

2 Normative references

The following referenced documents are indispensable for the application of this document. For dated references, only the edition cited applies. For undated references, the latest edition of the referenced document (including any amendments) applies.

ISO 683-1, *Heat-treatable steels, alloy steels and free-cutting steels — Part 1: Direct-hardening unalloyed and low-alloyed wrought steel in form of different black products*

ISO 2790, *Belt drives — V-belts for the automotive industry and corresponding pulleys — Dimensions*

ISO 4287, *Geometrical Product Specifications (GPS) — Surface texture: Profile method — Terms, definitions and surface texture parameters*

ISO 6508-1, *Metallic materials — Rockwell hardness test — Part 1: Test method (scales A, B, C, D, E, F, G, H, K, N, T)*

3 Principle

Determination of the performance of a belt under specified conditions on the two- or three-pulley test machine described in 4.1.

NOTE The shortest V-belt that can be tested on the three-pulley test machine is approximately 800 mm. Shorter belts should be tested on the two-pulley test machine, as described in Clauses 4 and 6.

A number of conditions shall be agreed between the manufacturer and the user, including the power to be transmitted, the effective diameter of the idler pulley and the number of times the belt can be re-tensioned, and the minimum acceptable belt life, in hours.

As a general rule, the power to be transmitted using the two-pulley test machine shall be approximately 70 % of the power transmitted using the three-pulley test machine.

Belt failure occurs when the belt no longer satisfies the agreed conditions.

4 Apparatus

4.1 Dynamic test machine, of robust design so that all components withstand, with virtually no deflection, the stresses to which they are subjected.

The test machine shall consist of the followings parts.

4.1.1 Driving pulley and suitable mechanism for driving it.

4.1.2 Driven pulley, to which a suitable power-absorption unit is connected.

4.1.3 Power absorption unit, accurate and capable of calibration, e.g. by dead weights.

4.1.4 Device, through which tension can be applied to the belt:

- a) in the case of the three-pulley test machine layout, an idler pulley (see Figure 1);
- b) in the case of the two-pulley test machine layout, a movable pulley (see Figure 2).

4.1.5 Means of determining belt slip, to an accuracy of $\pm 1\%$.

The layout of the pulleys and the direction of rotation shall be as shown in Figures 1 and 2.

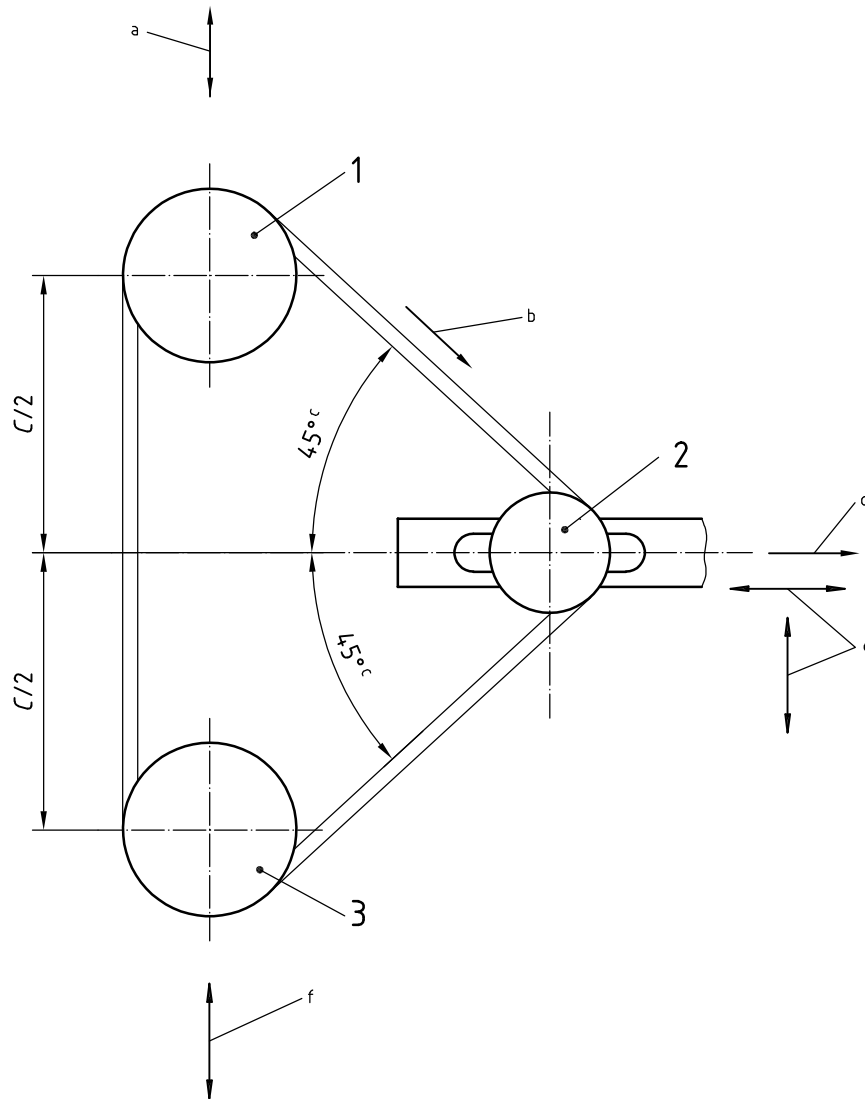
In order to accommodate different lengths of belt, the position of the relevant driving and driven members, and the position of the idler pulley and its support bracket in the case of the three-pulley test machine, shall be adjustable so that the test layout of the pulleys is attainable for each belt length.

So that tension can be satisfactorily applied to the belt, and in order to allow for belt stretch, the idler pulley of the three-pulley test machine and its bearing assembly shall be free to slide, as and when necessary, in its support bracket along the line of application of the tensioning force. In such a case, the line of action of the tensioning force shall bisect the belt layout angle at the idler pulley, shall pass through the axis centre of the idler pulley, and shall lie in the plane through the centre of the groove of the idler pulley (see Figure 1).

The two-pulley test machine shall be constructed so that one of the units (driven or driving) can be moved to accommodate belt lengths up to 800 mm (see Figure 2). A method of locking the movable unit in position, with a given tension in the V-belt, shall be provided.

4.2 Test pulleys, made of steel as defined in ISO 683-1, with a surface hardness of 55 HRC, in accordance with ISO 6508-1, and the pulley groove with a surface roughness such that the arithmetical mean deviation of the evaluated profile, R_a , defined by ISO 4287 is lower than $0,8\ \mu\text{m}$.

The characteristics of the test pulleys are given in Figure 3 and Table 1.

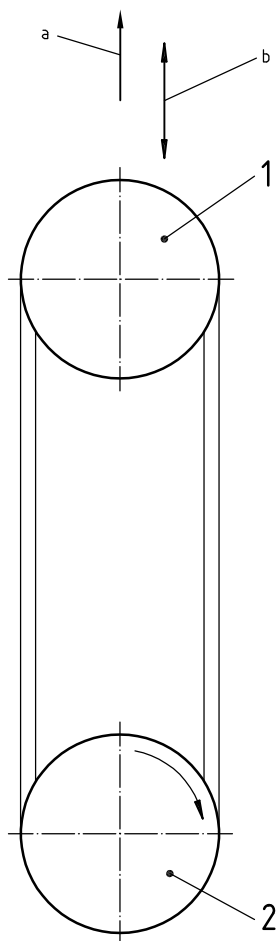
**Key**

- 1 driven pulley (power absorption unit)
- 2 idler pulley — set in slide
- 3 driving pulley

NOTE The belt, mounted on the test pulleys, should be aligned to within $\pm 15'$ in relation to the plane through the centre of each pulley groove.

- a Direction of adjustment of driven pulley.
- b Direction of rotation.
- c 45° is specified for the initial test layout, and may change slightly with retensioning during the course of the test.
- d Belt tensioning force applied to the idler pulley.
- e Directions of adjustment of idler pulley assembly and its support bracket.
- f Direction of adjustment of driving pulley.

Figure 1 — Three-pulley test machine layout



Key

- 1 driven pulley (power absorption unit)
- 2 driving pulley

NOTE The belt, mounted on the test pulleys, should be aligned to within $\pm 15'$ in relation to the plane through the centre of each pulley groove.

- a Belt tensioning force applied to the movable pulley.
- b Direction of adjustment of the movable pulley (method of locking in place).

Figure 2 — Two-pulley test machine layout

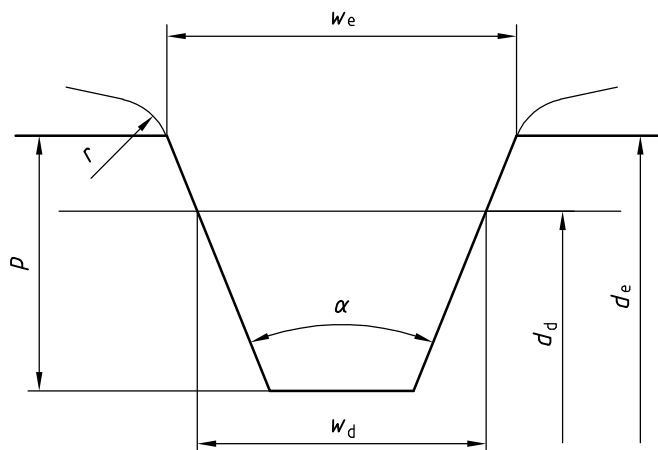


Figure 3 — Test pulley groove

Table 1 — Dimensions of test pulleys

Dimensions in millimetres

Designation	Symbol	Section	
		AV 10	AV 13
Difference between effective diameter and datum diameter	$d_e - d_d = 2Y$	3,69	5,23
Datum width of groove	w_d	8,5	11
Effective diameter of the driving pulley and of the driven pulley (three-pulley test machine)	d_{e1}	$121 \pm 0,2$	$127 \pm 0,2$
Effective diameter of the driving pulley and of the driven pulley (two-pulley test machine)	d_{e1}	$63 \pm 0,2$	$76 \pm 0,2$
Effective diameter of the idler pulley ^a (three-pulley test machine)	d_{e2}	$57 - 63 - 76 \pm 0,2$	$70 - 76 - 89 \pm 0,2$
Effective width	w_e	9,7	12,7
Groove angle	α	$36^\circ \pm 0^\circ 30'$	$36^\circ \pm 0^\circ 30'$
Minimum groove depth	p	11	13,75
Minimum curve radius of the sides as the top of the groove	r	0,8	0,8

^a When the idler pulley effective diameter is reduced, it should be understood that the life of the belt will be reduced too.

5 Test room conditions

The ambient temperature in the test room shall be between 18 °C and 32 °C, and the mean ambient temperature for the duration of the test shall be given with the result of the test.

The atmosphere in the vicinity of the test drive shall be free of draughts from sources other than the belt drive itself.

6 Test method

6.1 Test conditions

For each test, the general layout of the pulleys relative to each other shall be as shown in Figures 1 and 2. The centre distance between the driving and driven pulleys for the three-pulley test machine shall be within ± 2 mm of the value determined from the formula:

$$2,414 C = L_e - 0,785 (3 d_{e1} + d_{e2}) - (d_{e1} - d_{e2})$$

where

C is the centre distance between the driving and driven pulleys;

L_e is the effective length of the belt, measured in accordance with ISO 2790;

d_{e1} is the effective diameter of both the driving and driven pulleys;

d_{e2} is the effective diameter of the idler pulley.

The rotational frequency of the driving pulley, to within ± 2 %, shall be $4\,900 \text{ min}^{-1}$ for AV 10 belts and $4\,700 \text{ min}^{-1}$ for AV 13 belts.

In the case of the three-pulley test machine, the belt tensioning force applied to the idler pulley, and in the case of the two-pulley test machine, that applied to the driven unit, shall be such that

$$F = K \times P$$

where

F is the belt tensioning force, in newtons;

P is the transmitted power, in kilowatts;

$K = 60 \text{ N/kW}$, in the case of the three-pulley test machine;

$K = 110 \text{ N/kW}$, in the case of the two-pulley test machine.

6.2 Procedure

6.2.1 Preparation

6.2.1.1 Three-pulley test machine

After mounting the belt on the pulleys, apply the specified belt tensioning force (see 6.1) to the idler pulley, and, leaving the idler pulley support bracket free to move in its slide, bring the drive up to the specified rotational frequency (see 6.1). Then apply the relevant load to the driven pulley as quickly as possible. Run the drive under these conditions for $5 \text{ min} \pm 15 \text{ s}$, not including the starting and stopping time. Stop the machine and leave it to stand for at least 10 min.

Then turn the drive manually for several revolutions of the belt and, by means of a dial indicator mounted in contact with the idler pulley support bracket, note the maximum limits of travel of the idler pulley.

Immediately lock the idler pulley support bracket in the position midway between the two limits of travel.

6.2.1.2 Two-pulley test machine

Use the same procedure as in 6.2.1.1 with the movable unit taking the place of the idler pulley support.

6.2.2 Test

Re-start the machine, bring the drive up to the specified rotational frequency, apply the test load to the driven pulley and measure the slip between the driving and driven pulleys.

The drive shall run continuously under these conditions until either the belt fails or the additional slip (g) exceeds the slip measured initially, by 4 %.

The additional slip, g , expressed as a percentage, is given by the formula:

$$g = (i_0 - i_f) \times 100$$

where

$$i_0 = \frac{n_0}{N_0}$$

and

$$i_f = \frac{n_f}{N_f}$$

and

n_0 is the initial rotational frequency of the driven shaft;

n_f is the final rotational frequency of the driven shaft;

N_0 is the initial rotational frequency of the driving shaft;

N_f is the final rotational frequency of the driving shaft.

All rotational frequencies shall be measured under the test load.

6.2.3 Retensioning

If additional belt slip reaches 4 % before belt failure, stop the machine and leave it to stand for at least 20 min. In the case of the three-pulley test machine, unlock the idler pulley support bracket, apply the test tension to the belt, turn the drive manually two or three times, re-lock the idler support bracket in the mid-position as described in 6.2.1 and repeat the test specified in 6.2.2.

Repeat this procedure whenever the additional slip reaches 4 % before failure, until the belt fails.

7 Test report

The test report shall include at least the following information:

- a) a reference to this International Standard, i.e., ISO 5287;
- b) the identity of the belt tested;
- c) the type of machine used;

ISO 5287:2003(E)

- d) the number of running hours under test to satisfy the agreed conditions;
- e) the transmitted power;
- f) in the case of a three-pulley test machine, the diameter of the idler pulley;
- g) the number of times and the running hours at which the belt was retensioned;
- h) the mean ambient temperature during the test;
- i) the date of the test.

ICS 43.060.10

Price based on 8 pages