
**Non-ducted air conditioners and heat
pumps — Testing and rating for
performance**

*Climatiseurs et pompes à chaleur non raccordés — Essais et
détermination des caractéristiques de performance*



PDF disclaimer

This PDF file may contain embedded typefaces. In accordance with Adobe's licensing policy, this file may be printed or viewed but shall not be edited unless the typefaces which are embedded are licensed to and installed on the computer performing the editing. In downloading this file, parties accept therein the responsibility of not infringing Adobe's licensing policy. The ISO Central Secretariat accepts no liability in this area.

Adobe is a trademark of Adobe Systems Incorporated.

Details of the software products used to create this PDF file can be found in the General Info relative to the file; the PDF-creation parameters were optimized for printing. Every care has been taken to ensure that the file is suitable for use by ISO member bodies. In the unlikely event that a problem relating to it is found, please inform the Central Secretariat at the address given below.



COPYRIGHT PROTECTED DOCUMENT

© ISO 2010

All rights reserved. Unless otherwise specified, no part of this publication may be reproduced or utilized in any form or by any means, electronic or mechanical, including photocopying and microfilm, without permission in writing from either ISO at the address below or ISO's member body in the country of the requester.

ISO copyright office
Case postale 56 • CH-1211 Geneva 20
Tel. + 41 22 749 01 11
Fax + 41 22 749 09 47
E-mail copyright@iso.org
Web www.iso.org

Published in Switzerland

Contents

Page

Foreword	v
1 Scope	1
2 Normative references	1
3 Terms and definitions	2
4 Symbols	5
5 Cooling tests	8
5.1 Cooling capacity test	8
5.2 Maximum cooling performance test	11
5.3 Minimum cooling, freeze-up air blockage and freeze-up drip performance tests	12
5.4 Freeze-up drip performance test	14
5.5 Condensate control and enclosure sweat performance test	14
6 Heating tests	15
6.1 Heating capacity tests	15
6.2 Maximum heating performance test	20
6.3 Minimum heating performance test	21
6.4 Automatic defrost performance test	22
7 Test methods and uncertainties of measurements	23
7.1 Test methods	23
7.2 Uncertainties of measurement	24
7.3 Test tolerances for steady-state cooling and heating tests	24
7.4 Test tolerances for performance tests	25
8 Test results	26
8.1 Capacity results	26
8.2 Data to be recorded	27
8.3 Test report	27
9 Marking provisions	30
9.1 Nameplate requirements	30
9.2 Nameplate information	30
9.3 Split systems	31
10 Publication of ratings	31
10.1 Standard ratings	31
10.2 Other ratings	31
Annex A (normative) Test requirements	32
Annex B (informative) Airflow measurement	33
Annex C (normative) Calorimeter test method	39
Annex D (normative) Indoor air enthalpy test method	48
Annex E (informative) Compressor calibration test method	54
Annex F (informative) Refrigerant enthalpy test method	57
Annex G (informative) Outdoor air enthalpy test method	59
Annex H (informative) Indoor calorimeter confirmative test method	62
Annex I (informative) Outdoor calorimeter confirmative test method	64
Annex J (informative) Balanced-type calorimeter confirmative test method	66

Annex K (informative) Cooling condensate measurements67
Annex L (informative) Pictorial examples of the heating capacity test procedures given in 6.1.....68
Bibliography73

Foreword

ISO (the International Organization for Standardization) is a worldwide federation of national standards bodies (ISO member bodies). The work of preparing International Standards is normally carried out through ISO technical committees. Each member body interested in a subject for which a technical committee has been established has the right to be represented on that committee. International organizations, governmental and non-governmental, in liaison with ISO, also take part in the work. ISO collaborates closely with the International Electrotechnical Commission (IEC) on all matters of electrotechnical standardization.

International Standards are drafted in accordance with the rules given in the ISO/IEC Directives, Part 2.

The main task of technical committees is to prepare International Standards. Draft International Standards adopted by the technical committees are circulated to the member bodies for voting. Publication as an International Standard requires approval by at least 75 % of the member bodies casting a vote.

Attention is drawn to the possibility that some of the elements of this document may be the subject of patent rights. ISO shall not be held responsible for identifying any or all such patent rights.

ISO 5151 was prepared by Technical Committee ISO/TC 86, *Refrigeration and air-conditioning*, Subcommittee SC 6, *Testing and rating of air-conditioners and heat pumps*.

This second edition cancels and replaces the first edition (ISO 5151:1994), which has been technically revised.

Non-ducted air conditioners and heat pumps — Testing and rating for performance

1 Scope

This International Standard specifies the standard conditions for capacity and efficiency ratings of non-ducted air-cooled air conditioners and non-ducted air to air heat pumps. This International Standard is applicable to ducted units rated at less than 8 kW and intended to operate at an external static pressure of less than 25 Pa. This International Standard also specifies the test methods for determining the capacity and efficiency ratings.

Residential, commercial and industrial single-package and split-system air conditioners and heat pumps are included. The equipment (taken to mean non-ducted air conditioners or non-ducted heat pumps, as well as ducted air conditioners and/or ducted heat pumps, rated at less than 8 kW and intended to operate at external static pressures of less than 25 Pa) shall be factory-made, electrically driven and use mechanical compression. This International Standard is applicable to equipment utilizing one or more refrigeration systems, one outdoor unit and one or more indoor units, controlled by a single thermostat/controller. It is applicable to equipment utilizing single, multiple and variable capacity components.

This International Standard is not applicable to the rating and testing of the following:

- a) water-source heat pumps or water cooled air conditioners;
- b) multi-split-system air conditioners and air-to-air heat pumps (see ISO 15042 for the testing of such equipment);
- c) mobile (windowless) units having a condenser exhaust duct;
- d) individual assemblies not constituting a complete refrigeration system;
- e) equipment using the absorption refrigeration cycle;
- f) ducted equipment except for those specified in this clause (see ISO 13253 for the testing of such equipment).

This International Standard does not cover the determination of seasonal efficiencies which can be required in some countries because they provide a better indication of efficiency under actual operating conditions.

2 Normative references

The following referenced documents are indispensable for the application of this document. For dated references, only the edition cited applies. For undated references, the latest edition of the referenced document (including any amendments) applies.

ISO 817, *Refrigerants — Designation system*

3 Terms and definitions

For the purposes of this document, the following terms and definitions apply.

3.1 non-ducted air conditioner
encased assembly or assemblies, designed primarily to provide free delivery of conditioned air to an enclosed space, room or zone

NOTE 1 It can be either single-package or split-system and comprises a primary source of refrigeration for cooling and dehumidification. It can also include means for heating other than a heat pump, as well as means for circulating, cleaning, humidifying, ventilating or exhausting air. Such equipment can be provided in more than one assembly, the separated assemblies (split-systems) of which are intended to be used together.

NOTE 2 An enclosed space, room or zone is known as a conditioned space.

3.2 non-ducted heat pump
encased assembly or assemblies designed primarily to provide free delivery of conditioned air to an enclosed space, room or zone and includes a prime source of refrigeration for heating

NOTE 1 It can be constructed to remove heat from the conditioned space and discharge it to a heat sink if cooling and dehumidification are desired from the same equipment. It can also include means for circulating, cleaning, humidifying, ventilating or exhausting air. Such equipment can be provided in more than one assembly; the separated assemblies (split-systems) of which are intended to be used together.

NOTE 2 An enclosed space, room or zone is known as a conditioned space.

3.3 standard air
dry air at 20 °C and at a standard barometric pressure of 101,325 kPa, having a mass density of 1,204 kg/m³

3.4 indoor discharge airflow
rate of flow of air from the outlet of the equipment into the conditioned space

See Figure 1.

3.5 indoor intake airflow
rate of flow of air into the equipment from the conditioned space

See Figure 1.

3.6 ventilation airflow
rate of flow of air introduced to the conditioned space through the equipment

See Figure 1.

3.7 outdoor discharge airflow
discharge rate of flow of air from the equipment

See Figure 1.

3.8 intake outdoor airflow
rate of flow of air into the equipment from the outdoor side

See Figure 1.

3.9**exhaust airflow**

rate of flow of air from the indoor side through the equipment to the outdoor side

See Figure 1.

3.10**leakage airflow**

rate of flow of air interchanged between the indoor side and outdoor side through the equipment as a result of its construction features and sealing techniques

See Figure 1.

3.11**bypassed indoor airflow**

rate of flow of conditioned air directly from the indoor-side outlet to the indoor-side inlet of the equipment

See Figure 1.

3.12**bypassed outdoor airflow**

rate of flow of air directly from the outdoor-side outlet to the outdoor-side inlet of the equipment

See Figure 1.

3.13**equalizer opening airflow**

rate of flow of air through the equalizer opening in the partition wall of a calorimeter

See Figure 1.

3.14**total cooling capacity**

amount of sensible and latent heat that the equipment can remove from the conditioned space in a defined interval of time

NOTE Total cooling capacity is expressed in units of watts.

3.15**heating capacity**

amount of heat that the equipment can add to the conditioned space (but not including supplementary heat) in a defined interval of time

NOTE Heating capacity is expressed in units of watts.

3.16**latent cooling capacity****room dehumidifying capacity**

amount of latent heat that the equipment can remove from the conditioned space in a defined interval of time

NOTE Latent cooling capacity and room dehumidifying capacity are expressed in units of watts.

3.17**sensible cooling capacity**

amount of sensible heat that the equipment can remove from the conditioned space in a defined interval of time

NOTE Sensible cooling capacity is expressed in units of watts.

3.18
sensible heat ratio
SHR

ratio of the sensible cooling capacity to the total cooling capacity

3.19
rated voltage

voltage shown on the nameplate of the equipment

3.20
rated frequency

frequency shown on the nameplate of the equipment

3.21
energy efficiency ratio
EER

ratio of the total cooling capacity to the effective power input to the device at any given set of rating conditions

NOTE Where the EER is stated without an indication of units, it is understood that it is derived from watts/watt.

3.22
coefficient of performance
COP

ratio of the heating capacity to the effective power input to the device at any given set of rating conditions

NOTE Where the COP is stated without an indication of units, it is understood that it is derived from watts/watt.

3.23
total power input

P_t
average electrical power input to the equipment as measured during the test

NOTE Total power input is expressed in units of watts.

3.24
effective power input

P_E
average electrical power input to the equipment obtained from

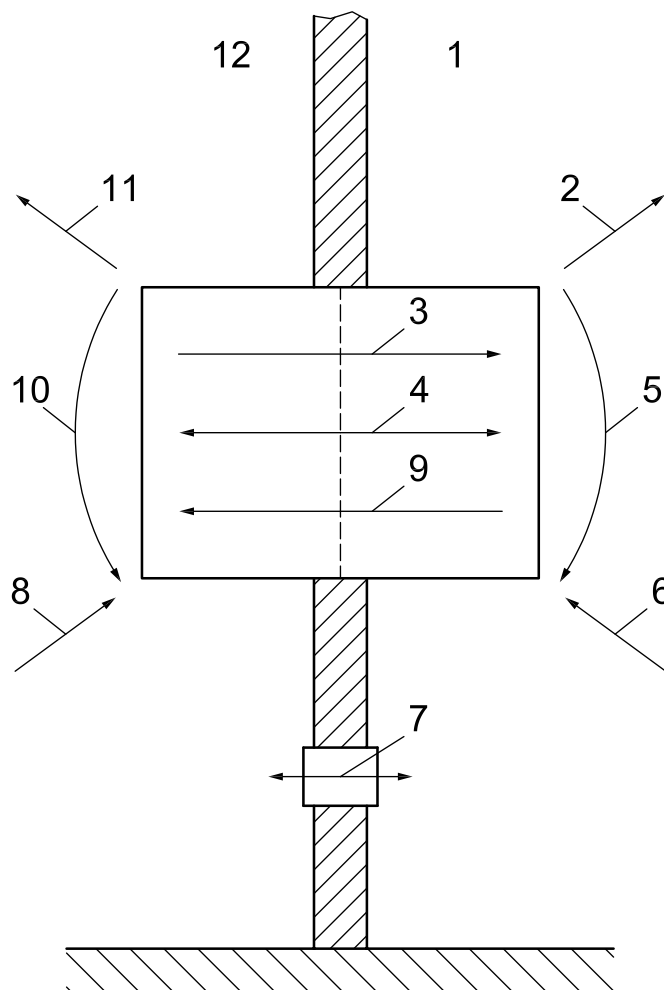
- the power input from the compressor(s),
- the power input to electric heating devices used only for defrosting,
- the power input to all control and safety devices of the equipment, and
- the power input for operation of all fans

NOTE This is expressed in units of watts.

3.25
full-load operation

operation with the equipment and controls configured for the maximum continuous duty refrigeration capacity specified by the manufacturer and allowed by the unit controls

NOTE Unless otherwise regulated by the automatic controls of the equipment, all indoor units and compressors operate during full-load operations.

**Key**

1	outdoor side	7	equalizer opening
2	outdoor discharge	8	indoor intake
3	exhaust	9	ventilation
4	leakage	10	bypassed indoor
5	bypassed outdoor	11	indoor discharge
6	outdoor intake	12	indoor side

Figure 1 — Airflow diagram illustrating the definitions given in 3.4 to 3.13

4 Symbols

Symbol	Description	Unit
A_l	coefficient, heat leakage	J/s °C
A_n	area, nozzle	m ²
C_d	discharge coefficient nozzle	—
c_{pa}	specific heat of air, of moist air	J/kg °C
c_{pw}	specific heat of water	J/kg °C
D_n	nozzle throat diameter	mm

Symbol	Description	Unit
D_t	outside diameter of refrigerant tube	mm
f	factor, dependent on temperature, for Re	—
h_{a1}	specific enthalpy of air entering indoor side	J/kg of dry air
h_{a2}	specific enthalpy of air leaving indoor side	J/kg of dry air
h_{a3}	specific enthalpy of air entering outdoor side	J/kg of dry air
h_{a4}	specific enthalpy of air leaving outdoor side	J/kg of dry air
h_{f1}	specific enthalpy of refrigerant liquid entering the expansion device	J/kg
h_{f2}	specific enthalpy of refrigerant liquid leaving condenser	J/kg
h_{g1}	specific enthalpy of refrigerant vapour entering compressor	J/kg
h_{g2}	specific enthalpy of refrigerant vapour leaving condenser	J/kg
h_{k1}	specific enthalpy of steam entering calorimeter evaporator	J/kg
h_{k2}	specific enthalpy of fluid leaving calorimeter evaporator	J/kg
h_{r1}	specific enthalpy of refrigerant entering indoor side	J/kg
h_{r2}	specific enthalpy of refrigerant leaving indoor side	J/kg
h_{w1}	specific enthalpy of water or steam supplied to indoor-side compartment	J/kg
h_{w2}	specific enthalpy of condensed moisture leaving indoor-side compartment	J/kg
h_{w3}	specific enthalpy of condensate removed by air-treating coil in the outdoor-side compartment reconditioning equipment	J/kg
h_{w4}	specific enthalpy of the water supplied to the outdoor-side compartment	J/kg
h_{w5}	specific enthalpy of the condensed water (in the case of test condition, high) and the frost, respectively (in the case of test conditions low or extra-low) in the test unit	J/kg
K_1	latent heat of vaporization of water (2 500,4 J/g at 0 °C)	J/kg
L	length of refrigerant line	m
Re	Reynolds number	—
p_a	pressure, barometric	kPa
p_c	compartment equalization pressure	kPa
p_n	pressure, at nozzle throat	kPa abs
p_v	velocity pressure at nozzle throat or static pressure difference across nozzle	Pa
ϕ_{ci}	heat removed from indoor-side compartment	W
ϕ_c	heat removed by cooling coil in the outdoor-side compartment	W
ϕ_{lp}	heat leakage into indoor-side compartment through partition separating indoor side from outdoor side	W
ϕ_{li}	heat leakage into indoor-side compartment through walls, floor and ceiling	W
ϕ_{lo}	heat leakage out of outdoor-side compartment through walls, floor and ceiling, W	W
ϕ_L	line heat loss in interconnecting tubing	W
ϕ_e	heat input to calorimeter evaporator	W
ϕ_{lci}	latent cooling capacity, (indoor-side data)	W

Symbol	Description	Unit
ϕ_{sc}	sensible cooling capacity	W
ϕ_{sci}	sensible cooling capacity, (indoor-side data)	W
ϕ_d	latent cooling capacity (dehumidifying)	W
ϕ_{hi}	heating capacity, indoor-side compartment	W
ϕ_{ho}	heating capacity, outdoor-side compartment	W
ϕ_{tci}	total cooling capacity, (indoor-side data)	W
ϕ_{tco}	total cooling capacity, (outdoor-side data)	W
ϕ_{thi}	total heating capacity, (indoor-side data)	W
ϕ_{tho}	total heating capacity, (outdoor-side data)	W
P_i	power input, indoor-side data	W
ΣP_{ic}	other power input to the indoor-side compartment (e.g. illumination, electrical and thermal power input to the compensating device, heat balance of the humidification device)	W
ΣP_{oc}	sum of all total power input to the outdoor-side compartment, not including power to the equipment under test	W
ΣP_E	power input to the equipment	W
P_K	power input to compressor	W
P_t	total power input to equipment	W
q_m	air mass flow rate	kg/s
q_{mo}	airflow, outdoor, measured	m ³ /s
q_r	refrigerant flow rate	kg/s
q_{ro}	refrigerant and oil mixture flow rate	m ³ /s
q_v	air-volume flow rate	m ³ /s
q_w	condenser water flow rate	kg/s
q_{wo}	water mass flow supplied to the outside compartment for maintaining the test conditions	kg/s
q_{wc}	rate at which water vapour is condensed by the equipment	g/s
t_a	temperature, ambient	°C
t_{a1}	temperature of air entering indoor side, dry bulb	°C
t_{a2}	temperature of air leaving indoor side, dry bulb	°C
t_{a3}	temperature of air entering outdoor side, dry bulb	°C
t_{a4}	temperature of air leaving outdoor side, dry bulb	°C
t_c	temperature of surface of calorimeter condenser	°C
t_{w1}	temperature of water entering calorimeter	°C
t_{w2}	temperature of water leaving calorimeter	°C
t_{w3}	temperature of water entering outdoor side	°C
t_{w4}	temperature of water leaving outdoor side	°C
v_a	velocity of air, at nozzle	m/s

Symbol	Description	Unit
v_n	specific volume of dry air portion of mixture at nozzle	m ³ /kg
v'_n	specific volume of air-water vapour mixture at nozzle	m ³ /kg
μ	kinematic viscosity of air	kg/m·s
W_{i1}	specific humidity of air entering indoor side	kg/kg of dry air
W_{i2}	specific humidity of air leaving indoor side	kg/kg of dry air
W_n	specific humidity at nozzle inlet	kg/kg of dry air
W_{a1}	flow rate, indoor air	kg/s
W_r	water vapour (rate) condensed by the equipment	g/s
W_1	mass of cylinder and bleeder assembly, empty	g
W_3	mass of cylinder and bleeder assembly with sample	g
W_5	mass of cylinder and bleeder assembly with oil from sample	g
X_o	concentration of oil	—
x_r	mass ratio, refrigerant to refrigerant-oil mixture	—

5 Cooling tests

5.1 Cooling capacity test

5.1.1 General conditions

5.1.1.1 All equipment within the scope of this International Standard shall have the cooling capacities and energy efficiency ratios determined in accordance with the provisions of this International Standard and rated at the cooling test conditions specified in Table 1. All tests shall be carried out in accordance with the requirements of Annex A and the test methods specified in Clause 7. All tests shall be conducted with the equipment functioning at full-load operation, as defined in 3.25. The electrical input values used for rating purposes shall be measured during the cooling capacity test.

5.1.1.2 If the manufacturer of equipment having a variable-speed compressor does not provide information on the full-load frequency and how to achieve it during a cooling capacity test, the equipment shall be operated with its thermostat or controller set to its minimum allowable temperature setting.

5.1.2 Temperature conditions

5.1.2.1 The temperature conditions stated in Table 1 (columns T1, T2 and T3) shall be considered standard rating conditions for the determination of cooling capacity. For equipment intended for space cooling, testing shall be conducted at one or more of the standard rating conditions specified in Table 1.

5.1.2.2 Equipment manufactured only for use in a moderate climate similar to that specified in Table 1, column T1, shall have ratings determined by tests conducted at T1 conditions and shall be designated as type T1 equipment.

5.1.2.3 Equipment manufactured only for use in a cool climate similar to that specified in Table 1, column T2, shall have ratings determined by tests conducted at T2 conditions and shall be designated as type T2 equipment.

5.1.2.4 Equipment manufactured only for use in a hot climate similar to that specified in Table 1, column T3, shall have ratings determined by tests conducted at T3 conditions and shall be designated as type T3 equipment.

5.1.2.5 Equipment manufactured for use in more than one of the climates defined in Table 1 shall have marked on the nameplate the designated type (T1, T2 and/or T3). The corresponding ratings shall be determined by the standard rating conditions specified in Table 1.

5.1.3 Airflow conditions

5.1.3.1 Indoor-side air quantity — Air enthalpy test method

5.1.3.1.1 Tests shall be conducted at standard rating conditions (see Table 1) with 0 Pa static pressure maintained at the air discharge of the equipment and with the refrigeration means in operation. All air quantities shall be expressed as cubic metre per second (m³/s) of standard air, as defined in 3.3.

5.1.3.1.2 Airflow measurements should be made in accordance with the provisions specified in Annex B, as appropriate, as well as the provisions established in other appropriate annexes of this International Standard.

NOTE Additional guidance for making airflow measurements can be found in ISO 3966 and ISO 5167-1.

Table 1 — Cooling capacity rating conditions

Parameter	Standard rating conditions		
	T1	T2	T3
Temperature of air entering indoor side:			
— dry-bulb	27 °C	21 °C	29 °C
— wet-bulb	19 °C	15 °C	19 °C
Temperature of air entering outdoor side:			
— dry-bulb	35 °C	27 °C	46 °C
— wet-bulb ^a	24 °C	19 °C	24 °C
Condenser water temperature:			
— inlet	30 °C	22 °C	30 °C
— outlet	35 °C	27 °C	35 °C
Test frequency ^b	Rated frequency		
Test voltage	See Table 2		
NOTE			
T1 Standard cooling capacity rating conditions for moderate climates.			
T2 Standard cooling capacity rating conditions for cool climates.			
T3 Standard cooling capacity rating conditions for hot climates.			
^a The wet-bulb temperature condition shall only be required when testing air-cooled condensers which evaporate the condensate.			
^b Equipment with dual-rated frequencies shall be tested at each frequency.			

Table 2 — Voltages for capacity and performance tests

Rated (nameplate) voltage ^a V	Test voltage ^b V
90 to 109	100
110 to 127	115
180 to 207	200
208 to 253	230
254 to 341	265
342 to 420	400
421 to 506	460
507 to 633	575

^a For equipment with dual-rated voltages, such as 115/230 and 220/440, the test voltages would be 115 V and 230 V in the first example, and 230 V and 460 V in the second example. For equipment with an extended voltage range, such as 110 V to 120 V or 220 V to 240 V, the test voltage would be 115 V or 230 V, respectively. Where the extended voltage range spans two or more of the rated voltage ranges, the mean of the rated voltages shall be used to determine the test voltage from this table.

EXAMPLE For equipment with an extended voltage range of 200 V to 220 V, the test voltage would be 230 V, based on the mean voltage of 210 V.

^b The voltages in this table are for capacity and performance tests other than the maximum cooling and the maximum heating performance tests.

5.1.3.2 Outdoor side air quality

If the outdoor airflow is adjustable, all tests shall be conducted at the outdoor-side air quantity or at the fan control setting that is specified by the manufacturer. Where the fan is non-adjustable, all tests shall be conducted at the outdoor-side air volume flow rate inherent in the equipment when operated with the following in place: all of the resistance elements associated with inlets, louvres and any ductwork and attachments considered by the manufacturer as normal installation practice. Once established, the outdoor-side air circuit of the equipment shall remain unchanged throughout all tests prescribed in this International Standard, except to adjust for any change caused by the attachment of the airflow measuring device when using the outdoor air enthalpy test method (see G.2.1).

5.1.4 Test conditions

5.1.4.1 Preconditions

5.1.4.1.1 Tests shall be conducted under the selected conditions with no changes made in fan speed or system resistance to correct for variations from the standard barometric pressure (see 3.3).

5.1.4.1.2 Grille positions, damper positions, fan speeds, etc. shall be set in accordance with the manufacturer's instructions. In the absence of manufacturer's instructions, the grilles, dampers, fan speeds, etc. shall be set to provide maximum cooling capacity. When tests are carried out at other settings, these settings shall be noted together with the cooling capacity ratings.

5.1.4.1.3 The test room reconditioning apparatus and the equipment under test shall be operated until equilibrium conditions, as required by 7.3, are attained. Equilibrium conditions shall be maintained for not less than 1 h before capacity test data are recorded.

5.1.4.2 Testing requirements

The test shall provide for the determination of the sensible, latent and total cooling capacities as determined in the indoor-side compartment.

5.1.4.3 Duration of test

The data shall be recorded at equal intervals as required by 7.3.3. The recording of the data shall continue for at least a 30-min period during which the tolerances specified in 7.3 shall be met.

5.2 Maximum cooling performance test

5.2.1 General conditions

The test shall be conducted with the equipment functioning at full-load operation, as defined in 3.25. The test voltages in Table 3 shall be maintained at the specified percentages under running conditions. In addition, the test voltage shall be adjusted so that it is not less than 86 % of the rated voltage at the moment of restarting the equipment after the shutdown required by 5.2.4.2. The determination of cooling capacity and electrical power input is not required for this performance test.

5.2.2 Temperature conditions

The conditions, which shall be used during the maximum cooling, are given in Table 3.

Table 3 — Maximum cooling performance test conditions

Parameter	Standard rating conditions		
	T1	T2	T3
Temperature of air entering indoor side:			
— dry-bulb	32 °C	27 °C	32 °C
— wet-bulb	23 °C	19 °C	13 °C
Temperature of air entering outdoor side:			
— dry-bulb	43 °C	35 °C	52 °C
— wet-bulb ^a	26 °C	24 °C	31 °C
Test frequency ^b	Rated frequency		
Test voltage	a) 90 % and 110 % of rated voltage with a single nameplate rating; b) 90 % of the lower rated voltage and 110 % of the higher rated voltage for units with a dual or extended nameplate voltage.		
^a	The wet-bulb temperature condition shall only be required when testing air-cooled condensers that evaporate the condensate.		
^b	Equipment with dual-rated frequencies shall be tested at each frequency.		

5.2.3 Airflow conditions

The maximum cooling performance test shall be conducted with an indoor-side fan speed setting as determined under 5.1.4.1.2.

5.2.4 Test conditions

5.2.4.1 Preconditions

The controls of the equipment shall be set for maximum cooling and, if provided, all ventilating air dampers and exhaust air dampers shall be closed.

5.2.4.2 Duration of test

The equipment shall be operated continuously for 1 h after the specified air temperatures in Table 3 have been established in accordance with the tolerances in Table 12. Thereafter, all power to the equipment shall be cut off for 3 min and then restored. The operation of the equipment may be restarted either automatically or through the use of a remote controller or similar device. The test shall continue for 60 min after the equipment restarts.

5.2.5 Performance requirements

5.2.5.1 Air conditioners and heat pumps shall meet the following requirements when operating at the conditions specified in Table 3:

- a) during one entire test, the equipment shall operate without any indication of damage;
- b) the motors of the equipment shall operate continuously for the first hour of the test without tripping any protective device;
- c) after the interruption of power, the equipment shall resume operation within 30 min and run continuously for 1 h, except as specified in 5.2.5.2. and 5.2.5.3.

5.2.5.2 A protective device may trip only during the first 5 min of operation after the shutdown period of 3 min. During the remainder of that 1 h test period, no protective device shall trip.

5.2.5.3 For those models so designed that resumption of operation does not occur after the initial trip within the first 5 min, the equipment may remain out of operation for not longer than 30 min. It shall then operate continuously for 1 h.

5.3 Minimum cooling, freeze-up air blockage and freeze-up drip performance tests

5.3.1 General conditions

The test conditions specified in Table 4 shall be used when conducting the minimum cooling, freeze-up air blockage and freeze-up drip performance tests. The tests shall be conducted with the equipment functioning at full-load operation, as defined in 3.25, except as required in 5.3.3. The determination of cooling capacity and electrical power input is not required for these performance tests.

5.3.2 Temperature conditions

Tests shall be carried out under the temperature conditions established in Table 4.

5.3.3 Airflow conditions

The controls, fan speeds, dampers and grilles of the equipment shall be set to maximize the tendency to produce frost or ice on the evaporator, provided such settings are not contrary to the manufacturer's operating instructions.

5.3.4 Test conditions

5.3.4.1 Preconditions

The equipment shall be started and operated until the operating conditions have stabilized.

5.3.4.2 Duration of test

After the operating conditions given in Table 4 have stabilized in accordance with the tolerances in Table 12, the equipment shall be operated for a period of 4 h. The equipment shall be permitted to stop and start under the control of an automatic limit device, if provided.

Table 4 — Minimum cooling, freeze-up air blockage and freeze-up drip performance test conditions

Parameter	Standard test conditions	
	T1 and T3	T2
Temperature of air entering indoor side:		
— dry-bulb	21 °C	21 °C
— wet-bulb	15 °C	15 °C
Temperature of air entering outdoor side:		
— dry-bulb	21 °C	10 °C
— wet-bulb	—	—
Test frequency ^a	Rated frequency	
Test voltage	See Table 2	
^a Equipment with dual-rated frequencies shall be tested at each frequency.		

5.3.5 Performance requirements

5.3.5.1 The equipment shall operate under the conditions specified without any indication of damage.

5.3.5.2 At the end of the 4-h test, any accumulation of frost or ice on the indoor coil shall not cover more than 50 % of the indoor-side face area of the indoor coil or reduce the airflow rate by more than 25 % of the initial airflow rate. [If measuring indoor air volume rate using a test apparatus that includes an exhaust fan (as in Figure B.1), the operating speed of the exhaust fan and/or the position of an in-line flow damper shall be controlled to maintain zero static pressure during the 4-h test.] If the equipment and test apparatus do not allow for visual observation of the indoor coil and if the indoor air volume rate is not measured, then the requirements of 5.3.5.3 shall be met.

5.3.5.3 During the 4-h test period, the midpoint temperature of every indoor coil circuit or the refrigerant suction pressure shall be measured at equal intervals that span 1 min or less. The measurement(s) carried out 10 min after beginning the 4-h test shall be defined as the initial value(s). If the suction pressure is measured, it shall be used to calculate the saturated suction temperature.

- a) If the compressor(s) do(es) not cycle OFF on automatic controls during the test, and
- if coil circuit temperatures are measured, the temperatures shall not remain more than 2 °C below the corresponding initial value for each circuit for more than 20 consecutive min, or
- if suction pressure is measured, the saturated suction temperature shall not remain more than 2 °C below the initial value for more than 20 consecutive min.
- b) If the compressor(s) cycle(s) ON/OFF on automatic controls during the test, and
- if coil circuit temperatures are measured, the individual circuit temperatures measured 10 min after the beginning of any ON cycle during the test shall not be more than 2 °C below the corresponding initial circuit temperature(s), or
- if suction pressure is measured, the saturated suction temperature measured 10 min after the beginning of any ON cycle during the test shall not be more than 2 °C below the initial saturated suction temperature.

5.4 Freeze-up drip performance test

5.4.1 General conditions

The freeze-up drip performance test shall be run immediately after completion of the minimum cooling and freeze-up air blockage performance tests and at the conditions specified in Table 4. The test shall be conducted with the equipment functioning at full-load operation, as defined in 3.25, except as required in 5.4.3. The determination of capacity and electrical power is not required for this performance test.

5.4.2 Temperature conditions

The temperature conditions for the freeze-up drip performance test are given in Table 4.

5.4.3 Airflow conditions

The air inlet to the indoor coil shall be covered to completely block the passage of air, so as to attempt to achieve complete blockage of the evaporator by frost or ice.

5.4.3.1 Preconditions

The equipment shall be started and operated until the operating conditions given in Table 4 have stabilized in accordance with the tolerances in Table 12.

5.4.3.2 Duration of test

After the operating conditions have stabilized, the equipment shall be operated for a period of 4 h. The equipment shall be permitted to stop and start under the control of an automatic limit device, if provided. At the end of the 4-h test, the equipment shall be stopped and the air inlet covering removed until the accumulation of frost or ice has melted. The equipment shall then be turned on with the fan(s) operating at the highest speed for 5 min.

5.4.4 Performance requirements

During the test, no ice shall drip from the coil and no water shall drip or blow off the equipment on the indoor side.

5.5 Condensate control and enclosure sweat performance test

5.5.1 General conditions

The conditions which shall be used during the condensate control and enclosure sweat test are given in Table 5. The test shall be conducted with the equipment functioning at full-load operation, as defined in 3.25, except as required in 5.5.3. The determination of cooling capacity and electrical power input is not required for this performance test.

5.5.2 Temperature conditions

The temperature conditions which shall be used during this test are given in Table 5.

Table 5 — Condensate control and enclosure sweat performance test conditions

Parameter	Standard test conditions
Temperature of air entering indoor side:	
— dry-bulb	27°C
— wet-bulb	24°C
Temperature of air entering outdoor side:	
— dry-bulb	27°C
— wet-bulb ^a	24°C
Test frequency ^b	Rated frequency
Test voltage	See Table 2
^a The wet-bulb temperature condition shall only be required when testing air-cooled condensers that evaporate the condensate. ^b Equipment with dual-rated frequencies shall be tested at each frequency.	

5.5.3 Airflow conditions

The controls, fans, dampers and grilles of the equipment shall be set to produce the maximum tendency to sweat, provided such settings are not contrary to the manufacturer's operating instructions.

5.5.4 Test conditions

5.5.4.1 Preconditions

After establishment of the specified temperature conditions, the equipment shall be started with its condensate collection pan filled to the overflowing point and the equipment shall be run until the condensate flow has become uniform.

5.5.4.2 Duration of test

The equipment shall be operated for a period of 4 h.

5.5.5 Performance requirements

5.5.5.1 When operating under the test conditions specified in Table 5, no condensed water shall drip, run or blow from the equipment.

5.5.5.2 Equipment which rejects condensate to the condenser air shall dispose of all condensate and there shall be no dripping or blowing-off of water from the equipment such that the building or surroundings become wet.

6 Heating tests

6.1 Heating capacity tests

6.1.1 General conditions

6.1.1.1 For all heating capacity tests, the requirements specified in Annex A shall apply. Testing shall be conducted using the method(s) and instrumentation that meet the requirements of 7.1 and 7.2.

6.1.1.2 Selectable resistive elements used for heating indoor air shall be prevented from operating during all heating capacity tests, except those used only during a defrost cycle.

6.1.1.3 The test set-up shall include instrumentation to allow measurement of the temperature change across the indoor coil. If using the indoor air enthalpy method, the same dry-bulb temperature sensors as used to measure capacity may be used. If using the calorimeter test method, the temperature change shall be determined using the sensors specified in Annex C.

6.1.1.4 Standard rating conditions for heating capacity tests are specified in Table 6.

6.1.1.5 All Clause 6 heating capacity tests shall be conducted with the heat pump at full-load operation, as defined in 3.25.

6.1.1.6 If the manufacturer of a heat pump having a variable-speed compressor does not provide information on the full-load frequency and how to achieve it during heating capacity tests, then the heat pump shall be operated with its thermostat or controller set to its maximum allowable temperature setting.

Table 6 — Heating capacity rating conditions

Parameter	Standard rating conditions
Temperature of air entering indoor side: — dry-bulb — wet-bulb (maximum)	20 °C 15 °C
Temperature of air entering outdoor side, H1: — dry-bulb — wet-bulb	7 °C 6 °C
Temperature of air entering outdoor side, H2: — dry-bulb — wet-bulb	2 °C 1 °C
Temperature of air entering outdoor side, H3: — dry-bulb — wet-bulb	-7 °C -8 °C
Test frequency ^a	Rated frequency
Test voltage	See Table 2
NOTE If a defrosting cycle occurs during the H1, H2 or H3 heating capacity tests, testing under these conditions are accomplished using either the calorimeter or the indoor air enthalpy method (see Annexes C and D). Please refer to Clause 7.	
^a Equipment with dual-rated frequencies is tested at each frequency.	

6.1.2 Temperature conditions

6.1.2.1 Three different outdoor-side temperature conditions, designated as H1, H2 and H3, are specified in Table 6.

6.1.2.2 The Table 6 temperature conditions for the air entering the indoor side of the equipment shall be used for all heating capacity tests.

6.1.2.3 All heat pumps shall be rated based on testing at the H1 temperature conditions. Heating capacity tests shall also be conducted at the H2 and/or H3 temperature conditions, if the manufacturer rates the equipment for operation at one or both of these temperature conditions.

6.1.2.4 If the heat pump is rated for operation at two frequencies or, in some cases, if the equipment has a dual-rated voltage, then more than one heating capacity test shall be conducted at each applicable outdoor-side temperature condition. Table 6 (and Table 2) shall be used to determine if additional heating capacity tests are required.

6.1.3 Airflow conditions

6.1.3.1 Heat pump set-up requirements

On the outdoor side of the heat pump, all resistance elements associated with inlets, louvres and any ductwork and attachments considered by the manufacturer as normal installation practice shall be installed. On the indoor side of the heat pump, grille positions, damper positions, fan speeds, etc. shall be set in accordance with the manufacturer's published installation instructions, which are normally provided with the equipment. In the absence of such installation instructions, grille positions, damper positions, fan speeds, etc. shall be set to provide the maximum heating capacity when testing at the H1 temperature conditions. The heat pump set-up used for the H1 test shall be used during the H2 and/or H3 tests, if conducted. When tests are carried out at other settings, these settings shall be noted together with the heating capacity ratings.

6.1.3.2 Requirements when using the indoor air enthalpy method

Each heating capacity test shall be conducted with the external static pressure at each indoor unit maintained at 0 Pa. For the heating capacity calculations described in Annex D, the indoor-side air volume flow rate shall be expressed in units of cubic metres per second (m³/s) of the air-water vapour mixture. For reporting purposes, the indoor-side air volume flow rate shall be expressed in units of cubic metres per second of standard air.

NOTE 1 Airflow measurements are carried out according to the specifications in Annex B, as appropriate, as well as the provisions established in other appropriate annexes of this International Standard.

NOTE 2 Additional guidance for making airflow measurements can be found in ISO 3966 and ISO 5167-1.

6.1.4 Defrost operation

6.1.4.1 Overriding of automatic defrost controls shall be prohibited. The controls may only be overridden when manually initiating a defrost cycle during preconditioning.

6.1.4.2 If the heat pump turns the indoor fan off during the defrost cycle, airflow through the indoor coil shall cease.

6.1.5 Test procedure — General

6.1.5.1 The test procedure consists of three periods: a preconditioning period, an equilibrium period and a data collection period. The duration of the data collection period differs depending on whether the heat pump's operation is steady-state or transient. In the case of transient operation, in addition, the data collection period specified when using the indoor air enthalpy method (see 6.1.11.5) is different from the data collection period required if using the calorimeter method (see 6.1.11.6).

6.1.5.2 Annex L pictorially represents most of the different test sequences which are possible when conducting a heating capacity test.

6.1.6 Preconditioning period

6.1.6.1 The test room reconditioning apparatus and the heat pump under test shall be operated until the test tolerances specified in 7.3 are attained for at least 10 min.

6.1.6.2 A defrost cycle may end a preconditioning period. If a defrost cycle does end a preconditioning period, the heat pump shall operate in the heating mode for at least 10 min after defrost termination prior to beginning the equilibrium period.

6.1.6.3 It is recommended that the preconditioning period end with an automatic or manually-initiated defrost cycle when testing at the H2 and H3 temperature conditions.

6.1.7 Equilibrium period

6.1.7.1 A complete equilibrium period is 1 h in duration.

6.1.7.2 Except as specified in 6.1.11.3, the heat pump shall operate while meeting the 7.3 test tolerances.

6.1.8 Data collection period

6.1.8.1 The data collection period immediately follows the equilibrium period.

6.1.8.2 Data shall be collected as specified for the test method(s) chosen from 7.1. If using the calorimeter method, heating capacity shall be calculated as specified in Annex C. If using the indoor air enthalpy method, heating capacity shall be calculated as specified in Annex D. For cases where one of the confirmative test methods from 7.1.3.1 is used, heating capacity shall be calculated as specified in the appropriate annex.

6.1.8.3 An integrating electrical power (watt-hour) meter or measuring system shall be used for measuring the electrical energy supplied to the equipment. During defrost cycles and for the first 10 min following a defrost termination, the meter or measuring system shall have a sampling rate of at least every 10 s.

6.1.8.4 Except as specified in 6.1.8.3 and 6.1.8.5, data shall be sampled at equal intervals that span 30 s or less.

6.1.8.5 During defrost cycles, plus the first 10 min following defrost termination, certain data used in evaluating the integrated heating capacity of the heat pump shall be sampled more frequently, at equal intervals that span 10 s or less. When using the indoor air enthalpy method, these more-frequently sampled data include the change in indoor-side dry-bulb temperature. When using the calorimeter method, these more-frequently sampled data include all measurements required to determine the indoor-side capacity.

6.1.8.6 For heat pumps that automatically cycle off the indoor fan during a defrost, the contribution of the net heating delivered and/or the change in indoor-side dry-bulb temperature shall be assigned the value of zero when the indoor fan is off, if using the indoor air enthalpy method. If using the calorimeter test method, the integration of capacity shall continue while the indoor fan is off.

6.1.8.7 For both the indoor air enthalpy and the calorimeter test methods, the difference between the dry-bulb temperature of the air leaving and entering the indoor coil shall be measured. For each 5-min interval during the data collection period, an average temperature difference shall be calculated, $\Delta T_i(\tau)$. The average temperature difference for the first 5 min of the data collection period, $\Delta T_i(\tau=0)$, shall be saved for the purpose of calculating the change, ΔT , expressed as a percentage, as given in Equation (1):

$$\% \Delta T = \left(\frac{\Delta T_{i(\tau=0)} - \Delta T_{i(\tau)}}{\Delta T_{i(\tau=0)}} \right) \times 100 \quad (1)$$

6.1.9 Test procedure when a defrost cycle (whether automatically or manually initiated) ends the preconditioning period

6.1.9.1 If the quantity $\% \Delta T$ exceeds 2,5 % during the first 35 min of the data collection period, the heating capacity test shall be designated as a transient test (see 6.1.11). Likewise, if the heat pump initiates a defrost cycle during the equilibrium period or during the first 35 min of the data collection period, the heating capacity test shall be designated as a transient test.

6.1.9.2 If the conditions specified in 6.1.9.1 do not occur and the test tolerances given in 7.3 are satisfied during both the equilibrium period and the first 35 min of the data collection period, then the heating capacity test shall be designated as a steady-state test. Steady-state tests shall be terminated after 35 min of data collection.

6.1.10 Test procedure when a defrost cycle does not end the preconditioning period

6.1.10.1 If the heat pump initiates a defrost cycle during the equilibrium period or during the first 35 min of the data collection period, the heating capacity test shall be restarted as specified in 6.1.10.3.

6.1.10.2 If the quantity $\% \Delta T$ exceeds 2,5 % any time during the first 35 min of the data collection period, the heating capacity test shall be restarted as specified in 6.1.10.3. Prior to the restart, a defrost cycle shall occur. This defrost cycle may be manually initiated or delayed until the heat pump initiates an automatic defrost.

6.1.10.3 If either 6.1.10.1 or 6.1.10.2 apply, then the restart shall begin 10 min after the defrost cycle terminates with a new, hour-long equilibrium period. This second attempt shall follow the requirements of 6.1.7 and 6.1.8 and the test procedure of 6.1.9.

6.1.10.4 If the conditions specified in 6.1.10.1 or 6.1.10.2 do not occur and the test tolerances given in 7.3 are satisfied during both the equilibrium period and the first 35 min of the data collection period, then the heating capacity test shall be designated as a steady-state test. Steady-state tests shall be terminated after 35 min of data collection.

6.1.11 Test procedure for transient tests

6.1.11.1 When, in accordance with 6.1.9.1, a heating capacity test is designated as a transient test, the adjustments specified in 6.1.11.2 to 6.1.11.5 shall apply.

6.1.11.2 In all cases, the normal outdoor-side airflow of the heat pump shall not be disturbed. If applicable, the outdoor enthalpy test apparatus shall be disconnected and the transient heating capacity test shall be restarted from the beginning with a new 6.1.6 preconditioning period.

6.1.11.3 To constitute a valid transient heating capacity test, the test tolerances specified in Table 7 shall be achieved during both the equilibrium period and the data collection period. As noted in Table 7, the test tolerances are specified for two subintervals. Interval H consists of data collected during each heating interval, with the exception of the first 10 min after defrost termination. Interval D consists of data collected during each defrost cycle plus the first 10 min of the subsequent heating interval.

6.1.11.4 The test tolerance parameters in Table 7 shall be determined throughout the equilibrium and data collection periods. All data collected during each interval, H or D, shall be used to evaluate compliance with the Table 7 test tolerances. Data from two or more H intervals or two or more D intervals shall not be combined and then used in evaluating Table 7 compliance. Compliance is based on evaluating data from each interval separately.

6.1.11.5 If using the indoor air enthalpy method, the data collection period shall be extended until 3 h have elapsed or until the heat pump completes three complete cycles during the period, whichever occurs first. If at an elapsed time of 3 h, the heat pump is conducting a defrost cycle, the cycle shall be completed before terminating the collection of data. A complete cycle consists of a heating period and a defrost period; from defrost termination to defrost termination.

6.1.11.6 If using the calorimeter method, the data collection period shall be extended until 6 h have elapsed or until the heat pump completes six complete cycles during the period, whichever occurs first. If at an elapsed time of 6 h, the heat pump is conducting a defrost cycle, the cycle shall be completed before terminating the collection of data. A complete cycle consists of a heating period and a defrost period; from defrost termination to defrost termination.

Table 7 — Variations allowed in heating capacity tests when using the transient (T) test procedure

Reading	Variation of arithmetical mean values from specified test conditions		Variation of individual readings from specified test conditions	
	Interval H ^a	Interval D ^b	Interval H ^a	Interval D ^b
Temperature of air entering indoor side:				
— dry-bulb	±0,6 °C	±1,5 °C	±1,0 °C	±2,5 °C
— wet-bulb	—	—	—	—
Temperature of air entering outdoor side:				
— dry-bulb	±0,6 °C	±1,5 °C	±1,0 °C	±5,0 °C
— wet-bulb	±0,3 °C	±1,0 °C	±0,6 °C	—
Voltage	—	—	±2 %	±2 %

^a Applies when the heat pump is in the heating mode, except for the first 10 min after termination of a defrost cycle.

^b Applies during a defrost cycle and during the first 10 min after the termination of a defrost cycle when the heat pump is operating in the heating mode.

6.1.12 Heating capacity test results

Average heating capacity and average electrical power input shall be calculated in accordance with 8.1.4. For transient tests, the quantities shall be calculated using data from the total number of complete cycles that are achieved within the data collection period. In the event that a complete cycle does not occur during the data collection period of a transient test, the entire data collection period shall be used for the calculations (see 8.1.4.2).

6.2 Maximum heating performance test

6.2.1 General conditions

The conditions given in Table 8 shall be used during the maximum heating performance test. The test shall be conducted with the equipment functioning at full-load operation, as defined in 3.25. The test voltages in Table 8 shall be maintained at the specified percentages under running conditions. The determination of heating capacity and electrical power input is not required for this performance test.

Table 8 — Maximum heating performance test conditions

Parameter	Standard test conditions
Temperature of air entering indoor side:	
— dry-bulb	27 °C
Temperature of air entering outdoor side:	
— dry-bulb	24 °C
— wet-bulb	18 °C
Test frequency ^a	Rated frequency
Test voltage	a) 90 % and 110 % of rated voltage for equipment with a single nameplate rating b) 90% of the lower rated voltage and 110% of the higher rated voltage for equipment with a dual or extended nameplate voltage

^a Equipment with dual-rated frequencies shall be tested at each frequency.

6.2.2 Temperature conditions

The temperature conditions given in Table 8 shall be used during these tests.

6.2.3 Airflow conditions

6.2.3.1 The maximum heating performance test shall be conducted with an indoor-side fan speed setting as determined in 5.1.4.1.2, except as required in 6.2.4.1. For heating-only heat pumps, the indoor-side fan speed shall be set as specified in 6.1.3.1, except as required in 6.2.4.1.

6.2.4 Test conditions

6.2.4.1 Preconditions

The controls of the equipment shall be set for maximum heating. All ventilating air dampers and exhaust air dampers, if provided, shall be closed.

6.2.4.2 Duration of the test

The equipment shall be operated for 1 h after the specified air temperatures have been attained. The equipment shall be permitted to stop and start under the control of an automatic limit device, if provided.

6.2.4.3 General conditions

The equipment shall be operated for 1 h after the specified air temperatures have been attained. The equipment shall be permitted to stop and start under the control of an automatic limit device, if provided.

6.3 Minimum heating performance test

6.3.1 General conditions

The conditions given in Table 9 shall be used for this test. The test shall be conducted with the equipment functioning at full-load operation, as defined in 3.25. The voltage shall be maintained at the specified value under running conditions. The determination of heating capacity and electrical power input is not required for this performance test.

6.3.2 Temperature conditions

The temperature conditions of this test shall be as given in Table 9.

6.3.3 Airflow conditions

The controls of the equipment shall be set for maximum heating. All ventilating air dampers and exhaust air dampers, if provided, shall be closed.

6.3.4 Test condition

6.3.4.1 Preconditions

The equipment shall be operated for 1 h under the temperature conditions and voltage specified in Table 9.

Table 9 — Minimum heating performance test conditions

Parameter	Standard test conditions
Temperature of air entering indoor side: — dry-bulb	20 °C
Temperature of air entering outdoor side: — dry-bulb — wet-bulb	–7 °C –8 °C
Test frequency ^a	Rated frequency
Test voltage ^b	See Table 2
^a Equipment with dual-rated frequencies shall be tested at each frequency.	
^b The test voltage of dual-rated equipment shall be the higher voltage from Table 2.	

6.3.4.2 Duration of test

After the equipment has reached stable operating conditions, these conditions shall be maintained for 1 h.

6.3.5 Performance requirements

The heat pump shall operate throughout the test without a cutoff by any safety control.

6.4 Automatic defrost performance test

6.4.1 General conditions

This test is not required if provision is made to ensure that cool air (less than 18 °C) is not blown into the conditioned space during defrost. The test shall be conducted with the equipment functioning at full-load operation, as defined in 3.25, except as required in 6.4.3. The conditions for test frequency and test voltage given in Table 6 shall be used during the automatic defrost test. The determination of heating capacity and electrical power input is not required for this performance test.

6.4.2 Temperature conditions

The temperatures of air entering the indoor side shall be set as specified in Table 6. The temperatures of air entering the outdoor side shall be set as specified for the H2 test conditions in Table 6.

6.4.3 Airflow conditions

Unless prohibited by the manufacturer, the indoor-side fan is to be adjusted to the highest speed and the unit outdoor-side fan to the lowest speed, if separately adjustable. All other parameters shall be set as specified in 6.1.3.1.

6.4.4 Test conditions

6.4.4.1 Test preconditions

Unless prohibited by the manufacturer, the indoor-side fan is to be adjusted to the highest speed and the unit outdoor-side fan to the lowest speed, if separately adjustable. All other parameters shall be set as specified in 6.1.3.1.

6.4.5 Performance requirements

During the defrosting period, the temperature of the air from the indoor side of the equipment shall not be lower than 18 °C for longer than 1 min.

7 Test methods and uncertainties of measurements

7.1 Test methods

7.1.1 General

Capacity tests shall be conducted in accordance with the testing requirements specified in Annex A, using either the calorimeter test method (see Annex C) or the indoor air enthalpy test method (see Annex D), subject to the provision that the test results are within the limits of uncertainties of measurements established in 7.2.

7.1.2 Calorimeter test method

7.1.2.1 When using the calorimeter method for cooling capacity tests and for steady-state heating capacity tests, two simultaneous methods of determining capacities shall be used. One method determines the capacity on the indoor side, the other measures the capacity on the outdoor side. The capacity determined using the outdoor-side data shall agree within 5 % of the value obtained using the indoor-side data for the test to be valid. Steady-state conditions are achieved when the measured capacity at each 10-min time interval does not vary by more than 2 % from the average measured capacity over the previous 30 min.

7.1.3 Indoor air enthalpy test method

7.1.3.1 For cooling capacity tests and steady-state heating capacity tests, a test of confirmation is recommended to verify the results obtained using the indoor air enthalpy test method. One of the following test methods can be used for confirmative purposes:

- a) compressor calibration method (see Annex E);
- b) refrigerant enthalpy method (see Annex F);
- c) outdoor air enthalpy test method (see Annex G);
- d) indoor calorimeter confirmative test method (see Annex H);
- e) outdoor calorimeter confirmative test (see Annex I);
- f) balanced calorimeter confirmative test method (see Annex J).

NOTE Annex J is not used as a confirmative test by testing laboratories (see J.1.1).

7.1.3.2 Heating capacity determined during transient operation (defrost cycles) using the calorimeter method shall be determined with a maximum uncertainty of 10 %. This value is an expanded uncertainty of measurement expressed at the level of confidence of 95 %.

7.1.3.3 The results of the primary test shall agree with the results of the confirmative test to within 5 % to be valid.

7.1.4 Capacity tests

On the cooling cycle, it is recommended that the latent cooling capacity be determined using the cooling condensate method (see Annex K) subject to the provision that the test results are within the limits of uncertainties of measurements established in 7.2.

7.2 Uncertainties of measurement

7.2.1 The uncertainties of measurement shall not exceed the values specified in Table 10.

7.2.2 The steady-state cooling and heating capacities determined using the calorimeter method shall be determined with a maximum uncertainty of 5 %. This value is an expanded uncertainty of measurement expressed at the level of confidence of 95 %.

7.2.3 The heating and cooling capacities measured on the air side using the air enthalpy method shall be determined with a maximum uncertainty of 10 %. This value is an expanded uncertainty of measurement expressed at a level of confidence of 95 %.

7.3 Test tolerances for steady-state cooling and heating tests

7.3.1 The maximum permissible variation of any individual observation from a specified test condition during a steady-state cooling and heating capacity test is listed in column 3 of Table 11. When expressed as a percentage, the maximum allowable variation is the specified percentage of the arithmetical average of the observations.

Table 10 — Uncertainties of measurement

Measured quantity	Uncertainty of measurement ^a
Water:	
— temperature	0,1 °C
— temperature difference	0,1 °C
— volume flow	1 %
— static pressure difference	5 %
Air:	
— dry-bulb temperature	0,2 °C
— wet-bulb temperature ^b	0,2 °C
— volume flow	5 %
— external static pressure difference	5 Pa for pressure ≤ 100 Pa 5 % for pressure > 100 Pa
Electrical inputs	0,5 %
Time	0,2 %
Mass	1,0 %
Speed	1,0 %
Refrigerant	2,0 %
NOTE Uncertainty of measurement comprises, in general, many components. Some of these components can be estimated on the basis of the statistical distribution of the results of series of measurements and can be characterized by experimental standard deviations. Estimates of other components can be based on experience or other information.	
^a Uncertainty of measurement is an estimate characterizing the range of values within which the true value of the measurement lies, based on a 95 % confidence interval (see ISO/IEC Guide 98-3).	
^b This may be measured directly or indirectly.	

Table 11 — Variations allowed during steady-state cooling and heating capacity tests

Reading	Variation of arithmetical mean values from specified test conditions	Maximum variation of individual readings from specified test conditions
Temperature of air entering indoor side:		
— dry-bulb	$\pm 0,3$ °C	$\pm 0,5$ °C
— wet-bulb	$\pm 0,2$ °C ^a	$\pm 0,3$ °C ^a
Temperature of air entering outdoor side:		
— dry-bulb	$\pm 0,3$ °C	$\pm 0,5$ °C
— wet-bulb	$\pm 0,2$ °C ^b	$\pm 0,3$ °C ^b
Voltage	± 1 %	± 2 %
^a Not applicable to heating tests. ^b Only applicable to cooling capacity tests if equipment rejects condensate to the outdoor coil.		

7.3.2 The maximum variations of the average observations from the standard or specified test conditions are shown in column 2 of Table 11.

7.3.3 For cooling capacity tests, the dry-bulb and wet-bulb temperatures of the air entering the indoor side and outdoor side shall be sampled at equal intervals spanning 1 min or less throughout the preconditioning and data collection periods. The specified sampling of the wet-bulb temperature of the air entering the outdoor side shall be waived for equipment that rejects condensate to a location other than the outdoor coil.

7.3.4 For heating capacity tests, the dry-bulb temperature of the air entering the indoor side and the dry-bulb and wet-bulb temperatures of the air entering the outdoor side shall be sampled at equal intervals spanning 30 s or less throughout the preconditioning and data collection periods. As noted in 6.1.8.5, the sampling frequency of the indoor dry-bulb temperature is subject to change during defrost cycles, if using the indoor air enthalpy test method.

7.3.5 Except as noted in 7.3.3, all applicable parameters from Table 11 shall be sampled at equal intervals that span 5 min or less during cooling capacity tests. Except as noted in 7.3.4, all applicable parameters from Table 11 shall be sampled at equal intervals spanning 30 s or less during heating capacity tests.

7.3.6 For the data collection period used in determining the equipment's measured space conditioning capacity, compliance with the applicable Table 11 test tolerances shall be achieved.

7.4 Test tolerances for performance tests

The maximum allowable variation of any individual observation made during a performance test from the specified test condition is established in Table 12.

Table 12 — Test tolerances for performance tests

Reading	Maximum variation of individual readings from specified test conditions ^a
Air temperature:	
— dry-bulb	$\pm 1,0$ °C
— wet-bulb	$\pm 0,5$ °C
Water temperature	$\pm 0,5$ °C
Voltage	± 2 %
^a The test tolerances do not apply when the equipment is stopped, when changing compressor speed or from defrost initiation to 10 min after defrost termination. During these intervals, dry-bulb temperature tolerances of $\pm 2,5$ °C on the indoor side and ± 5 °C on the outside shall apply.	

8 Test results

8.1 Capacity results

8.1.1 General

The results of a capacity test shall express quantitatively the effects produced on air by the equipment tested. For given test conditions, the capacity test results shall include the following quantities as applicable to cooling or heating:

- a) total cooling capacity, in watts;
- b) sensible cooling capacity, in watts;
- c) latent cooling capacity, in watts;
- d) heating capacity, in watts;
- e) indoor-side airflow rate, m³/s of standard air;
- f) effective power input to the equipment or individual power inputs to each of the electrical equipment components, in watts.

NOTE 1 For a), b) and d), standard ratings for capacities include the effects of the circulating fan heat.

NOTE 2 For determination of latent cooling capacity, see Annex C if using the calorimeter test method and Annex D if using the indoor air enthalpy test method.

8.1.2 Adjustments

Test results shall be used to determine capacities without adjustment for permissible variations in test conditions. Air enthalpies, specific volumes and isobaric specific heat capacities shall be based on the measured barometric pressure.

8.1.3 Cooling capacity calculations

8.1.3.1 An average cooling capacity shall be determined from the set of cooling capacities recorded over the data collection period.

8.1.3.2 An average electrical power input shall be determined from the set of electrical power inputs recorded over the data collection period or from the integrated electrical power for the same interval, for cases where an electrical energy meter is used.

8.1.4 Heating capacity calculations

8.1.4.1 Steady-state capacity tests

8.1.4.1.1 If the heating capacity test is conducted in accordance with the provisions of 6.1.9.2 or 6.1.10.4, heating capacity shall be calculated using data from each data sampling in accordance with Annex C, if using the calorimeter test method or in accordance with Annex D, if using the indoor air enthalpy test method.

8.1.4.1.2 An average heating capacity shall be determined from the set of heating capacities recorded over the 35 min data collection period.

8.1.4.1.3 An average electrical power input shall be determined from the set of electrical power inputs recorded over the 35 min data collection interval or from the integrated electrical power recorded over the 35 min data collection period.

8.1.4.2 Transient capacity tests

8.1.4.2.1 If the heating capacity test is conducted in accordance with the provisions of 6.1.11, an average heating capacity shall be determined. This average heating capacity shall be calculated as specified in Annex C, if using the calorimeter test method and as specified in Annex D, if using the indoor air enthalpy test method.

8.1.4.2.2 For equipment where one or more complete cycles occur during the data collection period, the following shall apply. The average heating capacity shall be determined using the integrated capacity and the elapsed time corresponding to the total number of complete cycles that occurred over the data collection period. The average electrical power input shall be determined using the integrated power input and the elapsed time corresponding to the total number of complete cycles during the same data collection period as the one used for the heating capacity.

NOTE A complete cycle consists of a heating period and a defrost period from defrost termination to defrost termination.

8.1.4.2.3 For equipment that does not conduct a complete cycle during the data collection period, the following shall apply. The average heating capacity shall be determined using the integrated capacity and the elapsed time corresponding to the total data collection period (3 h if using the indoor air enthalpy test method; 6 h if using the calorimeter test method). The average electrical power input shall be determined using the integrated power input and the elapsed time corresponding to the same data collection period as the one used for the heating capacity.

8.2 Data to be recorded

The data to be recorded for the capacity tests are given in Tables 13 and 14 for the calorimeter test method and in Table 15 for the indoor air enthalpy test method. The tables identify the general information required, but are not intended to limit the data to be obtained. Electrical input values used for rating purposes shall be those measured during the capacity tests.

8.3 Test report

8.3.1 General information

As a minimum, the test report shall contain the following general information:

- a) a reference to this International Standard, i.e. ISO 5151;
- b) the date;
- c) the test institute;
- d) the test location;
- e) the primary test and confirmative test methods;
- f) the test supervisor;
- g) the cooling climate type designations and heating rating conditions (i.e. T1, T2, T3, H1, H2 and H3);
- h) a description of test set-up, including equipment location;
- i) the nameplate information (see 9.2).

Table 13 — Data to be recorded for calorimeter cooling capacity tests

No.	Data
1	Date
2	Observers
3	Barometric pressure, in kilopascals
4	Fan speed settings, indoor and outdoor
5	Applied voltage, in volts
6	Frequency, in hertz
7	Total current input to equipment, in amperes
8	Total power input to equipment ^a , in watts
9	Control dry-bulb and wet-bulb temperatures of air (indoor-side calorimeter compartment) ^b , in degrees Celsius
10	Control dry-bulb and wet-bulb temperature of air (outdoor-side calorimeter compartment) ^b , in degrees Celsius
11	Average air temperature outside the calorimeter, if calibrated (see Figure C.1), in degrees Celsius
12	Total power input to indoor-side and outdoor-side compartment, in kilowatts
13	Quantity of water evaporated in humidifier, in kilograms
14	Temperature of humidifier water entering indoor-side and outdoor-side (if used) compartments or in humidifier tank, in degrees Celsius
15	Cooling water flow rate through outdoor-side compartment heat-rejection coil, in litres per second
16	Temperature of cooling water entering outdoor-side compartment, for heat-rejection coil, in degrees Celsius
17	Temperature of cooling water leaving outdoor-side compartment, for heat-rejection coil, in degrees Celsius
18	Mass of water from equipment which is condensed in the reconditioning equipment ^c , in kilograms
19	Temperature of condensed water leaving outdoor-side compartment, in degrees Celsius
20	Volume of airflow through measuring nozzle of the separating partition, in cubic metres per second
21	Air-static pressure difference across the separating partition of calorimeter compartments, in pascals
22	Refrigerant charge, added by the test house, in kilograms

^a Total power input to the equipment, except if more than one external power connection is provided on the equipment; record input to each connection separately.

^b See C.1.7.

^c For equipment that evaporates condensate on the outdoor coil.

Table 14 — Data to be recorded for calorimeter heating capacity tests

No.	Data
1	Date
2	Observers
3	Barometric pressure, in kilopascals
4	Fan speed settings, indoor and outdoor
5	Applied voltage, in volts
6	Frequency, in hertz
7	Total current input to equipment, in amperes
8	Total power input to equipment ^a , in watts
9	Control dry-bulb and wet-bulb temperatures of air (indoor-side calorimeter compartment) ^b , in degrees Celsius
10	Control dry-bulb and wet-bulb temperature of air (outdoor-side calorimeter compartment) ^b , in degrees Celsius
11	Average air temperature outside the calorimeter, if calibrated (see Figure C.1), in degrees Celsius
12	Total power input to indoor-side and outdoor-side compartment, in watts
13	Quantity of water evaporated in humidifier, in kilograms
14	Temperature of humidifier water entering indoor-side and outdoor-side (if used) compartments or in humidifier tank, in degrees Celsius
15	Cooling water flow rate through indoor-side compartment heat-rejection coil, in litres per second
16	Temperature of cooling water entering indoor-side compartment, for heat-rejection coil, in degrees Celsius
17	Temperature of cooling water leaving indoor-side compartment, for heat-rejection coil, in degrees Celsius
18	Mass of water from equipment which is condensed in the outdoor-side compartment, in kilograms
19	Temperature of condensed water leaving outdoor-side compartment, in degrees Celsius
20	Volume of airflow through measuring nozzle of the separating partition, in cubic metres per second
21	Air-static pressure difference across the separating partition of calorimeter compartments, in pascals
22	Refrigerant charge, added by the test house, in kilograms
<p>^a Total power input to the equipment, except if more than one external power connection is provided on the equipment; record input to each connection separately.</p> <p>^b See C.1.7.</p>	

Table 15 — Data to be recorded during the indoor air enthalpy capacity tests

No.	Data
1	Date
2	Observers
3	Barometric pressure
4	Time of test
5	Power input to equipment ^a , in watts
6	Energy input to equipment, in watt-hours
7	Applied voltage(s), in volts
8	Current, in amps
9	Frequency, in hertz
10	External resistance to airflow, in pascals
11	Fan speed settings, indoor and outdoor
12	Dry-bulb temperature of air entering equipment, in degrees Celsius
13	Wet-bulb temperature of air entering equipment, in degrees Celsius
14	Dry-bulb temperature of air leaving equipment, in degrees Celsius
15	Wet-bulb temperature of air leaving equipment, in degrees Celsius
16	Outdoor dry-bulb and wet-bulb temperatures, in degrees Celsius
17	Volume flow rate of air and all relevant measurements for its calculation, in cubic metres per second
18	Refrigerant charge added by the test house, in kilograms
^a Total power input and, where required, input to equipment components.	

8.3.2 Capacity tests

The values reported shall be the mean of the values taken over the data collection period and shall be stated with an uncertainty of measurement at a confidence level of 95 % and in accordance with ISO/IEC Guide 98-3.

9 Marking provisions

9.1 Nameplate requirements

Each individual unit of the air conditioner and heat pump system, single package and split-system assembly, shall have a durable nameplate, firmly attached to it and in a location accessible for reading.

9.2 Nameplate information

The nameplate shall carry the following minimum information, in addition to the information required by International Standards on safety:

- a) the manufacturer's name or trademark;
- b) any distinctive type or model number and serial number;
- c) the rated voltage(s);

- d) rated frequency(ies);
- e) the cooling climate designations and heating rating conditions (i.e. T1, T2, T3, H1, H2 and H3, as applicable);
- f) the refrigerant designation in accordance with ISO 817;
- g) the refrigerant mass charge [listed on the unit containing the compressor(s)].

9.3 Split systems

The information in 9.2 a), b), c), d) and f) in 9.2 shall be provided on each element of a split system.

10 Publication of ratings

10.1 Standard ratings

10.1.1 Standard ratings shall be published for cooling capacities (sensible, latent and total), heating capacity, EER and COP, for all systems produced in conformance to this International Standard. These ratings shall be based on data obtained at the established rating conditions in accordance with the provisions of this International Standard.

10.1.2 The values of the standard capacities shall be expressed in kilowatts or watts, rounded to three significant figures.

10.1.3 The values of EER and COP shall be rounded to three significant figures.

10.1.4 Each capacity rating shall be followed by the corresponding test voltage (see column 2 of Table 2) and frequency rating.

10.2 Other ratings

Additional ratings may be published based on conditions other than those specified as standard rating conditions or based on conditions specified in national regulations, if they are clearly specified; the data are determined by the methods specified in this International Standard or by analytical methods which are verifiable by the test methods specified in this International Standard.

Annex A (normative)

Test requirements

A.1 General test room requirements

A.1.1 If an indoor condition test room is required, it shall be a room or space in which the desired test conditions can be maintained within the prescribed tolerances. It is recommended that air velocities in the vicinity of the equipment under test not exceed 2,5 m/s.

A.1.2 If an outdoor condition test room or space is required, it shall be of sufficient volume and shall circulate air in a manner such that it does not change the normal air circulating pattern of the equipment under test. It shall be of such dimensions that the distance from any room surface to any equipment surface from which air is discharged is not less than 1,8 m and the distance from any other room surface to any other equipment surface is not less than 1,0 m, except for floor or wall relationships required for normal equipment installation. The room conditioning apparatus should handle air at a rate not less than the outdoor airflow rate, and preferably should take this air from the direction of the equipment air discharge and return it at the desired conditions uniformly and at low velocities.

A.1.3 If the calorimeter room method is used with a facility having more than two rooms, then the additional rooms shall also comply with the requirements of Annex C. If the air enthalpy method is used with a facility having more than two rooms, the additional rooms shall also comply with the requirements of Annex D.

A.2 Equipment installation

A.2.1 The equipment to be tested shall be installed in accordance with the manufacturer's installation instructions using recommended installation procedures and accessories. If the equipment can be installed in multiple positions, all tests shall be conducted using the worst configuration. In all cases, the manufacturer's recommendations with respect to distances from adjacent walls, amount of extensions through walls, etc. shall be followed.

A.2.2 Ducted equipment rated at less than 8 kW and intended to operate at external static pressures of less than 25 Pa shall be tested at free delivery of air.

A.2.3 No other alterations to the equipment shall be made except for the attachment of the required test apparatus and instruments in the prescribed manner.

A.2.4 If necessary, the equipment shall be evacuated and charged with the type and amount of refrigerant specified in the manufacturer's instructions.

A.2.5 All standard ratings for equipment in which the condenser and the evaporator are two separate assemblies shall be determined with 5 m to 7,5 m length of connecting refrigerant tubing on each line. The lengths shall be actual lengths, not equivalent lengths, and no account shall be taken of the resistance provided by bends, branches, connecting boxes or other fittings used in the installation for the test piece. The length of the connecting tubing shall be measured from the enclosure of the indoor unit to the enclosure of the outdoor unit. Such equipment in which the interconnecting tubing is furnished as an integral part of the unit and not recommended for cutting to length shall be tested with the complete length of tubing furnished. Not less than 40 % of the total length of the interconnecting tubing shall be exposed to the outdoor conditions with the rest of the tubing exposed to the indoor conditions. The line diameters, insulation, details of installation, evacuation and charging shall be in accordance with the manufacturer's published recommendations.

Annex B (informative)

Airflow measurement

B.1 Airflow determination

B.1.1 Airflow should be measured using the apparatus and testing procedures given in this annex.

B.1.2 Airflow quantities are determined as mass flow rates. If airflow quantities are to be expressed for rating purposes in volume flow rates, such ratings should state the conditions (pressure, temperature and humidity) at which the specific volume is determined.

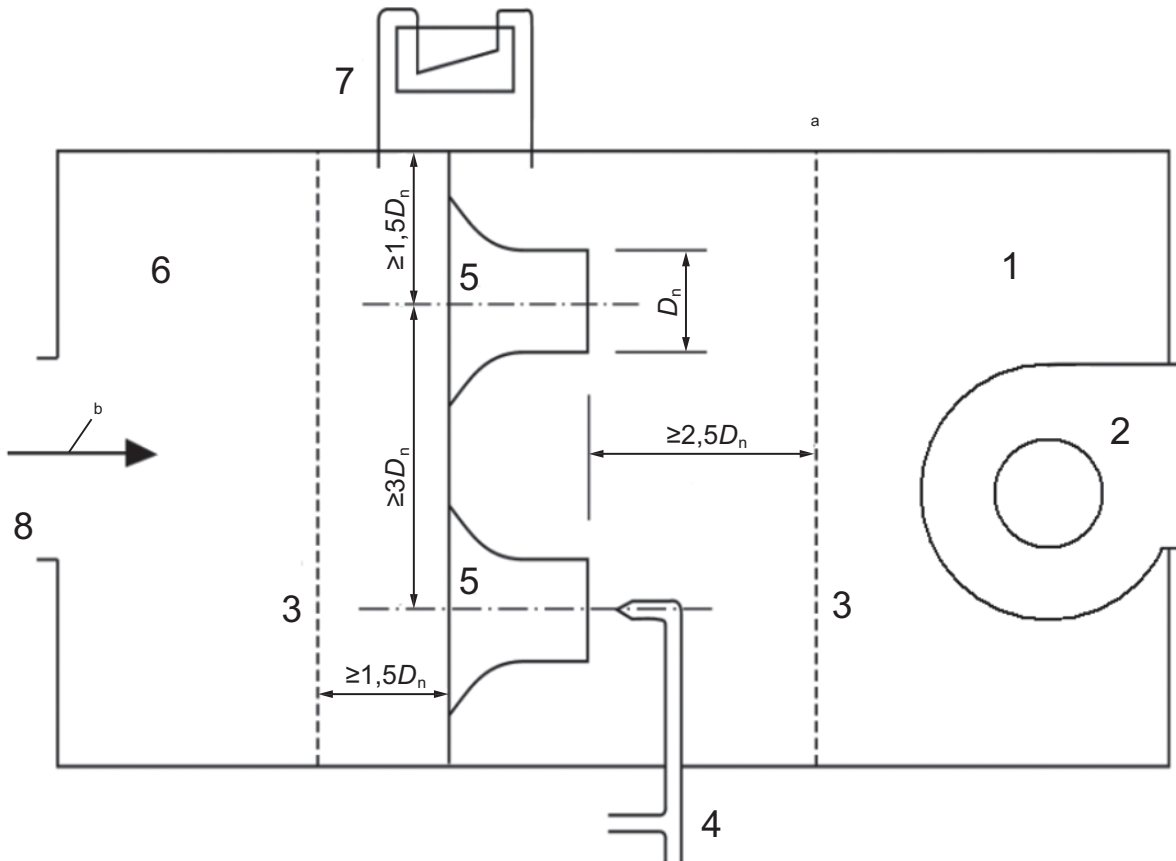
B.2 Airflow and static pressure

B.2.1 The area of a nozzle, A_n , should be determined by measuring its diameter to an accuracy of $\pm 0,2$ % in four locations approximately 45° apart around the nozzle in each of two places through the nozzle throat, one at the outlet and the other in the straight section near the radius.

B.3 Nozzle apparatus

B.3.1 Nozzle apparatus, consisting of a receiving chamber and a discharge chamber separated by a partition in which one or more nozzles are located (see Figure B.1). Air from the equipment under test is conveyed via a duct to the receiving chamber, passes through the nozzle(s) and is then exhausted to the test room or channelled back to the equipment's inlet.

The nozzle apparatus and its connections to the equipment's inlet should be sealed such that air leakage does not exceed 1,0 % of the airflow rate being measured.



Key

- | | |
|-------------------------|---|
| 1 discharge chamber | 5 nozzle |
| 2 exhaust fan | 6 receiving chamber |
| 3 diffusion baffle | 7 apparatus for differential pressure measurement |
| 4 Pitot tube (optional) | 8 adapter duct (see B.5.1) |

- a Diffusion baffles should have uniform perforations, with approximately 40 % of free area.
 b Airflow.

Figure B.1 — Airflow measuring apparatus

The centre-to-centre distance between nozzles in use should not be less than 3 times the throat diameter of the larger nozzle and the distance from the centre of any nozzle to the nearest discharge or receiving chamber side wall should not be less than 1,5 times its throat diameter.

B.3.2 Diffusers, installed in the receiving chamber (at a distance at least 1,5 times the largest nozzle throat diameter, D_n) upstream of the partition wall and in the discharge chamber (at a distance at least 2,5 times the largest nozzle throat diameter, D_n) downstream of the exit plane of the largest nozzle.

B.3.3 Exhaust fan, capable of providing the desired static pressure at the equipment's outlet, installed in one wall of the discharge chamber and provided with a means of varying its capacity.

B.3.4 Manometers, for measuring the static pressure drop across the nozzle(s). One end of the manometer should be connected to a static pressure tap located flush with the inner wall of the receiving chamber and the other end to a static pressure tap located flush with the inner wall of the discharge chamber, or preferably, several taps in each chamber should be connected to several manometers in parallel or manifolded to a single manometer. Static pressure connections should be located so as not to be affected by airflow. Alternatively, the velocity head of the air stream leaving the nozzle(s) may be measured by a Pitot tube as shown in Figure B.1, but when more than one nozzle is in use, the Pitot tube reading should be determined for each nozzle.

B.3.5 Means of determining the air density at the nozzle throat.

B.3.6 The throat velocity of any nozzle in use should be not less than 15 m/s or more than 35 m/s.

B.3.7 Nozzles should be constructed in accordance with Figure B.2 and applied in accordance with the provisions of B.3.8 and B.3.9.

B.3.8 The nozzle discharge coefficient, C_d , for the construction shown in Figure B.2, which has a throat length to throat diameter ratio of 0,6, may be determined using Equation (B.1).

$$C_d = 0,9986 - \frac{7,006}{\sqrt{Re}} + \frac{134,6}{Re} \quad (\text{B.1})$$

for Reynolds numbers, Re , of 12 000 and above.

The Reynolds number is defined as Equation (B.2).

$$Re = \frac{v_a D_n}{\mu} \quad (\text{B.2})$$

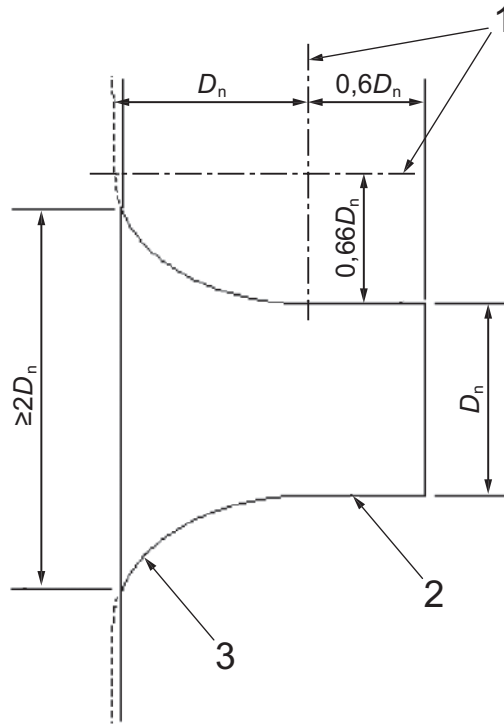
where

v_a is the mean airflow velocity at the throat of the nozzle;

D_n is the diameter of the throat of the nozzle;

μ is the kinematic viscosity of air.

B.3.9 Nozzles may also be constructed in accordance with appropriate national standards, provided they can be used in the apparatus described in Figure B.1 and result in equivalent accuracy.



Key

- 1 axes of ellipse
- 2 throat section
- 3 elliptical approach

D_n diameter of nozzle throat, in metres

Figure B.2 — Airflow measuring nozzle

B.4 Static pressure measurements

B.4.1 The pressure taps should consist of $(6,25 \pm 0,25)$ mm diameter nipples soldered to the outer plenum surfaces and centred over 1 mm diameter holes through the plenum. The edges of these holes should be free of burrs and other surface irregularities.

B.4.2 The plenum and duct section should be sealed to prevent air leakage, particularly at the connections to the equipment and the air measuring device, and should be insulated to prevent heat leakage between the equipment outlet and the temperature measuring instruments.

B.5 Discharge airflow measurements

B.5.1 The outlet or outlets of the equipment under test should be connected to the receiving chamber by adaptor ducting of negligible air resistance, as shown in Figure B.1.

B.5.2 To establish zero static pressure with respect to the test room at the discharge of the air conditioner or heat pump in the receiving chamber, a manometer should have one side connected to one or more static pressure connections located flush with the inner wall of the receiving chamber.

B.6 Indoor-side airflow measurements

B.6.1 The following readings should be taken:

- a) barometric pressure;
- b) nozzle dry- and wet-bulb temperatures or dewpoint temperatures;
- c) static pressure difference at the nozzle(s) or optionally, nozzle velocity pressure;

B.6.2 Air mass flow rate, q_m , through a single nozzle is determined using Equation (B.3).

$$q_m = Y \times C_d \times A_n \sqrt{\frac{2p_v}{v'_n}} \quad (\text{B.3})$$

where A_n is the area of the nozzle throat, in square metres.

The expansion factor, Y , is obtained from Equation (B.4):

$$Y = 0,452 + 0,548\alpha \quad (\text{B.4})$$

The pressure ratio, α , is obtained from Equation (B.5):

$$\alpha = 1 - \frac{p_v}{p_n} \quad (\text{B.5})$$

Air volume flow rate, q_v , through a single nozzle is determined using Equation (B.6).

$$q_v = C_d \times A_n \sqrt{2p_v v'_n} \quad (\text{B.6})$$

where v'_n is calculated using Equation (B.7):

$$v'_n = \frac{v_n}{1 + W_n} \quad (\text{B.7})$$

and W_n is the specific humidity at the nozzle inlet.

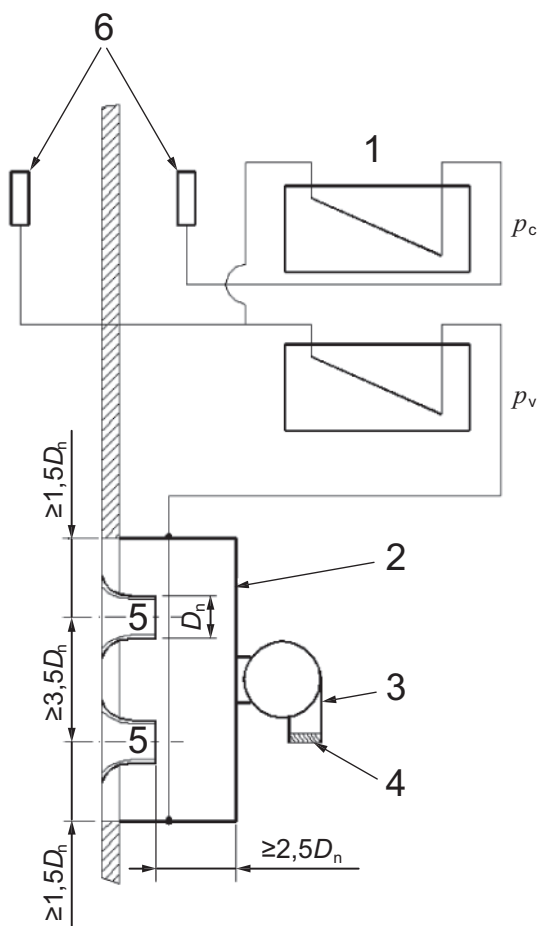
B.6.3 Airflow through multiple nozzles may be calculated in accordance with B.6.2, except that the total flow rate is then the sum of the q_m or q_v values for each nozzle used.

B.7 Ventilation, exhaust and leakage airflow measurements — Calorimeter test method

B.7.1 Ventilation, exhaust and leakage airflows should be measured using apparatus similar to that illustrated in Figure B.3 with the refrigeration system in operation and after condensate equilibrium has been obtained.

B.7.2 With the equalizing device adjusted for a maximum static pressure differential between the indoor-side and outdoor-side compartments of 1 Pa, the following readings should be taken:

- a) barometric pressure;
- b) nozzle wet- and dry-bulb temperatures;
- c) nozzle velocity pressure.



Key

- | | | | |
|---|---------------------|-------|-----------------------------------|
| 1 | pressure manometers | 5 | nozzle |
| 2 | discharge chamber | 6 | pick-up tube |
| 3 | exhaust fan | p_c | compartment equalization pressure |
| 4 | damper | p_v | nozzle velocity pressure |

Figure B.3 — Pressure-equalizing device

B.7.3 Airflow values should be calculated in accordance with B.6.2.

Annex C (normative)

Calorimeter test method

C.1 General

C.1.1 The calorimeter provides a method for determining capacity simultaneously on both the indoor side and the outdoor side. In the cooling mode, the indoor-side capacity determination should be made by balancing the cooling and dehumidifying effects with measured heat and water inputs. The outdoor-side capacity provides a confirmative test of the cooling and dehumidifying effects by balancing the heat and water rejection on the condenser side with a measured amount of cooling.

C.1.2 The two calorimeter compartments, indoor side and outdoor side, are separated by an insulated partition having an opening into which the non-ducted, single-packaged equipment is mounted. The equipment should be installed in a manner similar to a normal installation. No effort should be made to seal the internal construction of the equipment to prevent air leakage from the condenser side to the evaporator side or vice versa. No connections or alterations should be made to the equipment which might in any way alter its normal operation.

C.1.3 A pressure-equalizing device, as illustrated in Figure B.3, should be provided in the partition wall between the indoor-side and the outdoor-side compartments to maintain a balanced pressure between these compartments and also to permit measurement of leakage, exhaust and ventilation air. This device consists of one or more nozzles of the type shown in Figure B.2, a discharge chamber equipped with an exhaust fan and manometers for measuring compartment and airflow pressures.

Since the airflow from one compartment to the other may be in either direction, two such devices mounted in opposite directions or a reversible device should be used. The manometer pressure pickup tubes should be located so as to be unaffected by air discharged from the equipment or by the exhaust from the pressure-equalizing device. The fan or blower, which exhausts air from the discharge chamber, should permit variation of its airflow by any suitable means, such as a variable speed drive or a damper as shown in Figure B.3. The exhaust from this fan or blower should be such that it does not affect the inlet air to the equipment.

The pressure equalizing device should be adjusted during calorimeter tests or airflow measurements so that the static pressure difference between the indoor-side and outdoor-side compartments is not greater than 1,25 Pa.

C.1.4 The size of the calorimeter should be sufficient to avoid any restriction to the intake or discharge openings of the equipment. Perforated plates or other suitable grilles should be provided at the discharge opening from the reconditioning equipment to avoid face velocities exceeding 0,5 m/s. Sufficient space should be allowed in front of any inlet or discharge grilles of the equipment to avoid interference with the airflow. Minimum distance from the equipment to side walls or ceiling of the compartment(s) should be 1 m, except for the back of console-type equipment, which should be in normal relation to the wall. Ceiling-mounted equipment should be installed at a minimum distance of 1,8 m from the floor. Table C.1 gives the suggested dimensions for the calorimeter. To accommodate peculiar sizes of equipment, it may be necessary to alter the suggested dimensions to comply with the space requirements.

Table C.1 — Sizes of calorimeter

Rated cooling capacity of equipment ^a W	Suggested minimum inside dimensions of each room of the calorimeter		
	m		
	Width	Height	Length
3 000	2,4	2,1	1,8
6 000	2,4	2,1	2,4
9 000	2,7	2,4	3,0
12 000 ^b	3,0	2,4	3,7

^a All figures are round numbers.

^b Larger capacity equipment requires larger calorimeters.

C.1.5 Each compartment should be provided with reconditioning equipment to maintain specified airflow and prescribed conditions. Reconditioning apparatus for the indoor-side compartment should consist of heaters to supply sensible heat and a humidifier to supply moisture. Reconditioning apparatus for the outdoor-side compartment should provide cooling, dehumidification and humidification. The energy supply should be controlled and measured.

C.1.6 When calorimeters are used for heat pumps, they should have heating, humidifying and cooling capabilities for both rooms (see Figures C.1 and C.2) or other means, such as rotating the equipment, may be used as long as the rating conditions are maintained.

C.1.7 Reconditioning apparatus for both compartments should be provided with fans of sufficient capacity to ensure airflows of not less than twice the quantity of air discharged by the equipment under test in the calorimeter. The calorimeter should be equipped with means of measuring or determining specified wet- and dry-bulb temperatures in both calorimeter compartments.

C.1.8 It is recognized that in both the indoor-side and outdoor-side compartments, temperature gradients and airflow patterns result from the interaction of the reconditioning apparatus and test equipment. Therefore, the resultant conditions are peculiar to and dependent on a given combination of compartment size, arrangement and size of reconditioning apparatus and the air discharge characteristics of the equipment under test.

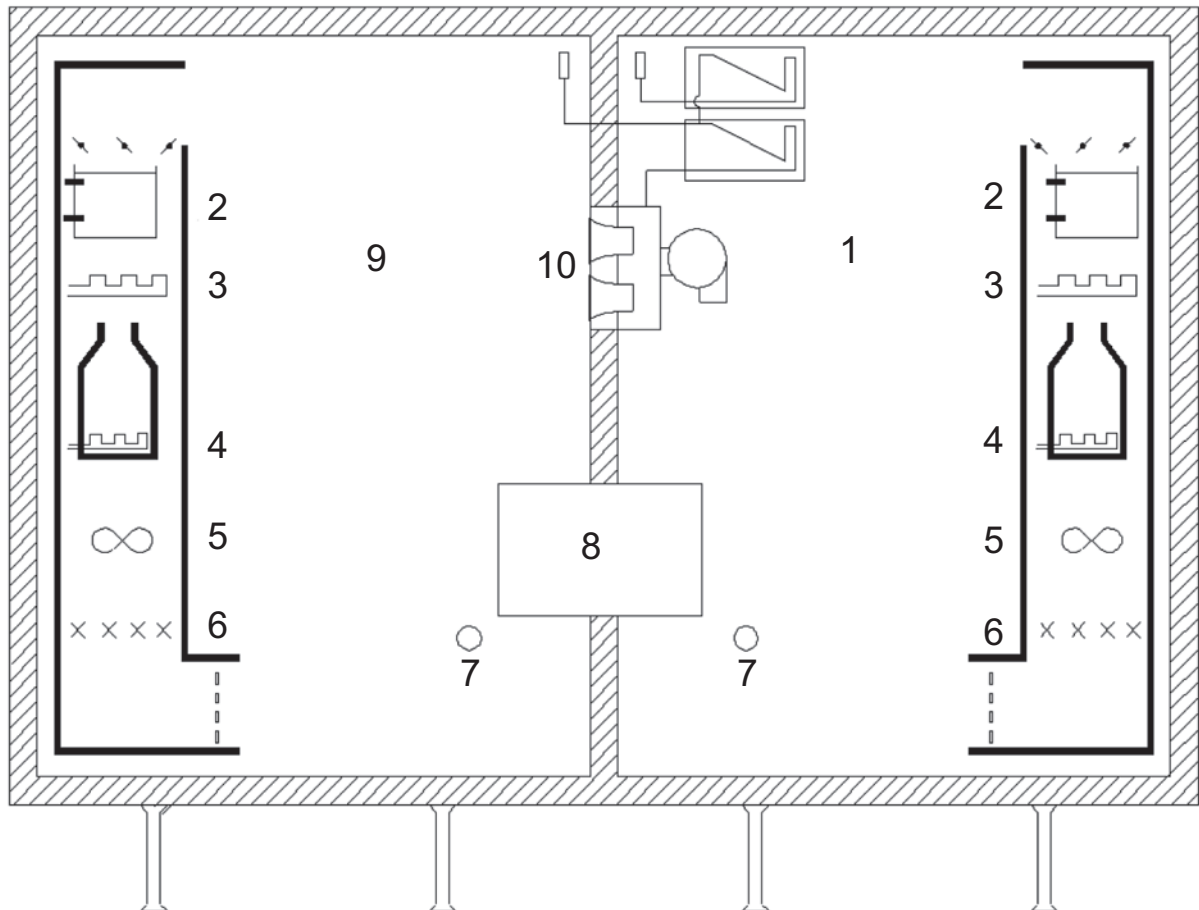
The point of measurement of specified test temperatures, both wet- and dry-bulb, should be such that the following conditions are fulfilled:

- a) The measured temperatures should be representative of the temperature surrounding the equipment and should simulate the conditions encountered in an actual application for both indoor and outdoor sides, as indicated above.
- b) At the point of measurement, the temperature of air should not be affected by air discharged from any piece of the equipment. This makes it mandatory that the temperatures are measured upstream of any re-circulation produced by the equipment.
- c) Air sampling tubes should be positioned on the intake side of the equipment under test.

C.1.9 During a heating capacity test, the temperature of the air leaving the indoor side of the heat pump shall be monitored to determine if its heating performance is being affected by a build-up of ice on the outdoor-side heat exchanger. A single temperature measuring device, placed at the centre of the indoor air outlet, is sufficient to indicate any change in the indoor air discharge temperature caused by a build-up of ice on the outdoor-side heat exchanger.

C.1.10 Interior surfaces of the calorimeter compartments should be of non-porous material with all joints sealed against air and moisture leakage. The access door should be tightly sealed against air and moisture leakage by use of gaskets or other suitable means.

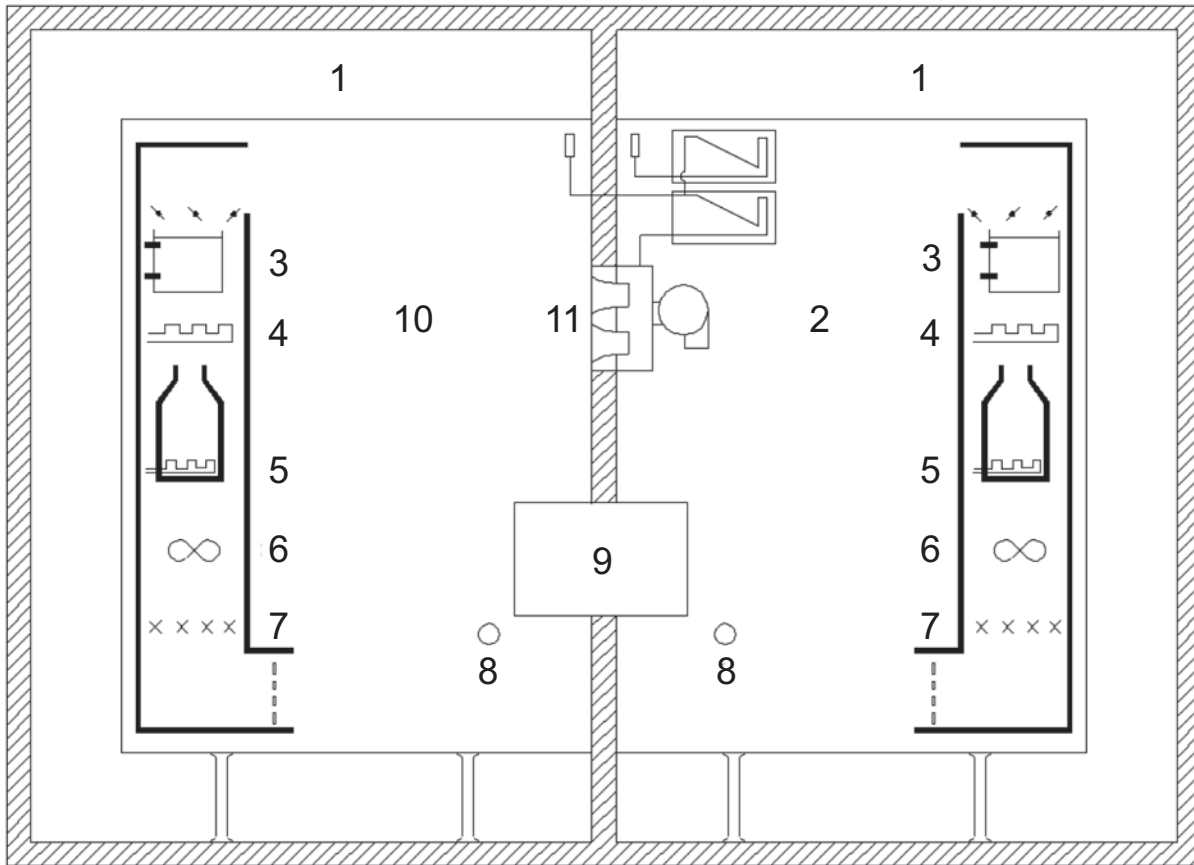
C.1.11 If defrost controls on the heat pump provide for stopping the indoor airflow, provisions shall be made to stop the test apparatus airflow to the equipment on both the indoor and outdoor sides during such a defrost period. If it is desirable to maintain operation of the reconditioning apparatus during the defrost period, provisions may be made to bypass the conditioned air around the equipment as long as assurance is provided that the conditioned air does not aid in the defrosting. A watt-hour meter shall be used for obtaining the integrated electrical input to the equipment under test.



Key

- | | |
|----------------------------|---------------------------------|
| 1 outdoor-side compartment | 6 mixer |
| 2 cooling coil | 7 air sampling tube |
| 3 heating coil | 8 equipment under test |
| 4 humidifier | 9 indoor-side compartment |
| 5 fan | 10 pressure equalization device |

Figure C.1 — Typical calibrated room-type calorimeter



Key

- | | |
|------------------------------------|---------------------------------|
| 1 controlled-temperature air space | 7 mixer |
| 2 outdoor-side compartment | 8 air sampling tube |
| 3 cooling coil | 9 equipment under test |
| 4 heating coil | 10 indoor-side compartment |
| 5 humidifier | 11 pressure equalization device |
| 6 fan | |

Figure C.2 — Typical balanced ambient room-type calorimeter

C.2 Calibrated room-type calorimeter

C.2.1 Heat leakage may be determined in either the indoor-side or outdoor-side compartment by the following method: All openings should be closed. Either compartment may be heated by electric heaters to a temperature of at least 11 °C above the surrounding ambient temperature. The ambient temperature should be maintained constant within ±1 °C outside all six enveloping surfaces of the compartment, including the separating partition. If the construction of the partition is identical to that of the other walls, the heat leakage through the partition may be determined on a proportional area basis.

C.2.2 For calibrating the heat leakage through the separating partition alone, the following procedure may be used: a test is carried out as described above. Then the temperature of the adjoining area on the other side of the separating partition is raised to equal the temperature in the heated compartment, thus eliminating heat leakage through the partition, while the 11 °C differential is maintained between the heated compartment and the ambient surrounding the other five enveloping surfaces.

The difference in heat input between the first test and the second test permits determination of the leakage through the partition alone.

C.2.3 For the outdoor-side compartment equipped with means of cooling, an alternative means of calibration may be to cool the compartment to a temperature of at least 11 °C below the ambient temperature (on six sides) and carry out a similar analysis.

C.2.4 In addition to the two-room simultaneous method of determining capacities, the performance of the indoor room-side compartment may be verified at least every six months using an industry standard cooling capacity calibrating device. A calibrating device may also be another piece of equipment whose performance has been measured by the simultaneous indoor and outdoor measurement method at an accredited national test laboratory as part of an industry-wide cooling capacity verification programme.

C.3 Balanced ambient room-type calorimeter

C.3.1 The balanced ambient room-type calorimeter is shown in Figure C.2 and is based on the principle of maintaining the dry-bulb temperatures surrounding the particular compartment equal to the dry-bulb temperatures maintained within that compartment. If the ambient wet-bulb temperature is also maintained equal to that within the compartment, the vapour-proofing provisions of C.1.10 are not required.

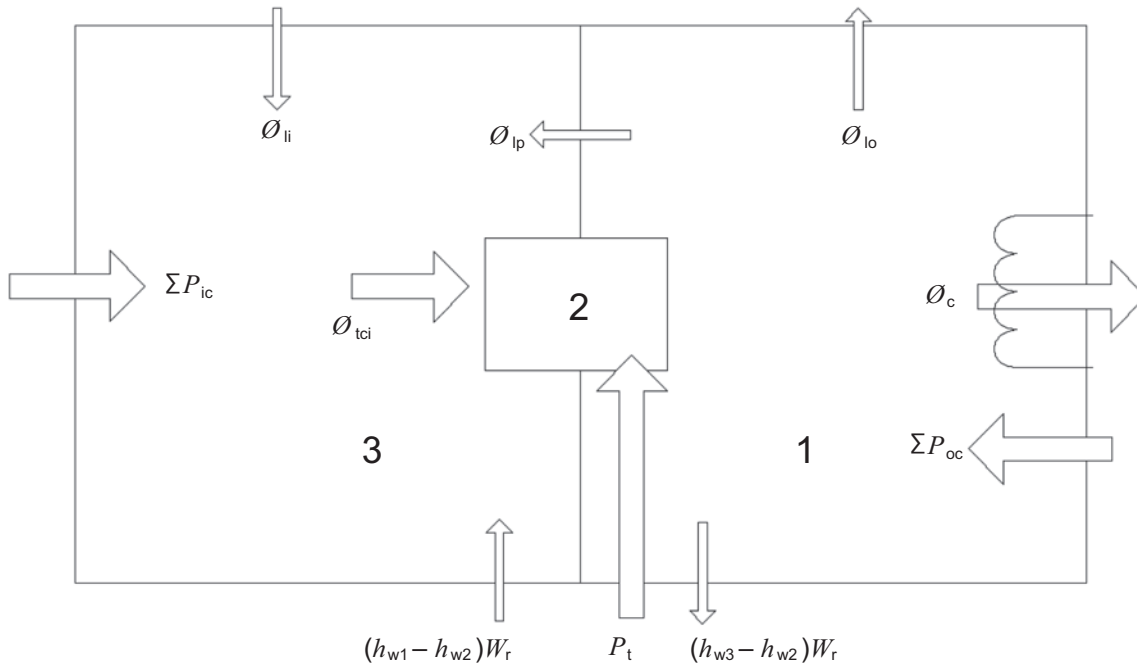
C.3.2 The floor, ceiling and walls of the calorimeter compartments shall be spaced a sufficient distance away from the floor, ceiling and walls of the controlled areas in which the compartments are located in order to provide a uniform air temperature in the intervening space. It is recommended that this distance be at least 0,3 m. Means shall be provided to circulate the air within the surrounding space to prevent stratification.

C.3.3 Heat leakage through the separating partition shall be introduced into the heat balance calculation and may be calibrated in accordance with C.3.4 or may be calculated.

C.3.4 It is recommended that the floor, ceiling and walls of the calorimeter compartments be insulated so as to limit heat leakage (including radiation) to no more than 10 % of the test equipment's capacity, with an 11 °C temperature difference, or 300 W for the same temperature difference, whichever is the greater, as tested using the procedure given in C.3.2.

C.4 Calculation of cooling capacity

The energy flow quantities used to calculate the total cooling capacity, based on indoor-side and outdoor-side measurements, are shown in Figure C.3.



Key

- 1 outdoor-side compartment
- 2 equipment under test
- 3 indoor-side compartment

NOTE Values for the variables identified in the figure are calculated using Equations (C.1) to (C.5).

Figure C.3 — Calorimeter energy flows during cooling capacity tests

C.4.1 The total cooling capacity on the indoor side, ϕ_{tci} , as tested in either the calibrated or balanced ambient, room-type calorimeter (see Figures C.1 and C.2), is calculated using Equation (C.1).

$$\phi_{tci} = \Sigma P_{ic} + (h_{w1} - h_{w2})W_r + \phi_{ip} + \phi_{ii} \tag{C.1}$$

NOTE If no water is introduced during the test, h_{w1} is taken at the temperature of the water in the humidifier tank of the conditioning apparatus.

C.4.2 When it is not practical to measure the temperature of the air leaving the indoor-side compartment to the outdoor-side compartment, the temperature of the condensate may be assumed to be at the measured or estimated wet-bulb temperature of the air leaving the test equipment.

C.4.3 The water vapour condensed by the equipment under test, W_r , may be determined by the amount of water evaporated into the indoor-side compartment by the reconditioning equipment to maintain the required humidity.

C.4.4 Heat leakage, ϕ_{ip} , into the indoor-side compartment through the separating partition between the indoor-side and outdoor-side compartments may be determined from the calibrating test or, in the case of the balanced-ambient room-type compartment, may be based on calculations.

C.4.5 The total cooling capacity on the outdoor side, ϕ_{tco} , as tested in either the calibrated or balanced-ambient, room-type calorimeter (see Figures C.1 and C.2) is calculated using Equation (C.2).

$$\phi_{tco} = \phi_c - \Sigma P_{oc} - P_t + (h_{w3} - h_{w2})W_r + \phi_{lp} + \phi_{lo} \quad (C.2)$$

NOTE The h_{w3} enthalpy is taken at the temperature at which the condensate leaves the outdoor-side compartment of the reconditioning apparatus.

C.4.6 The heat leakage rate into the indoor-side compartment through the separating partition between the indoor-side and outdoor-side compartments, ϕ_{lp} , may be determined from the calibrating test or, in the case of the balanced-ambient room-type compartment, may be based on calculations.

NOTE This quantity is numerically equal to that used in Equation C.1 if, and only if, the area of the separating partition exposed to the outdoor side is equal to the area exposed to the indoor-side compartment.

C.4.7 The latent cooling capacity (room dehumidifying capacity), ϕ_d , is calculated using Equation (C.3).

$$\phi_d = K_1 W_r \quad (C.3)$$

C.4.8 The sensible cooling capacity, ϕ_{sci} , is calculated using Equation (C.4).

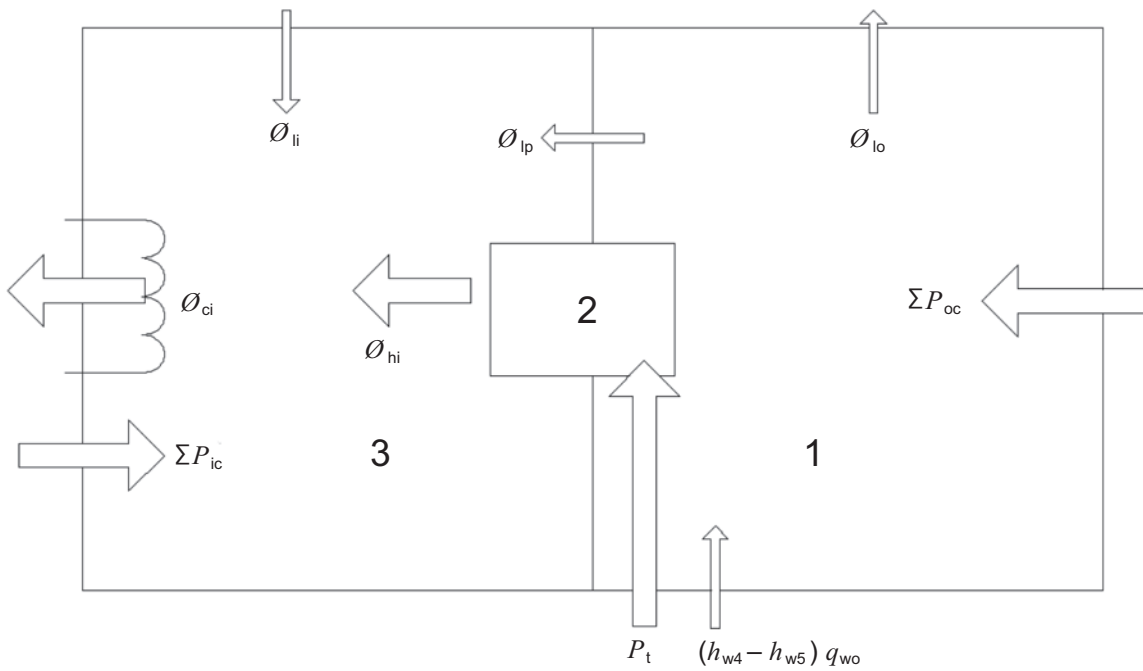
$$\phi_{sci} = \phi_{tci} - \phi_d \quad (C.4)$$

C.4.9 Sensible heat ratio (SHR) is calculated using Equation (C.5).

$$\text{SHR} = \phi_{sci} / \phi_{tci} \quad (C.5)$$

C.5 Calculation of heating capacity

C.5.1 The energy flow quantities used to calculate the total heating capacity, based on indoor-side and outdoor-side measurements, are shown in Figure C.4.



Key

- 1 outdoor-side compartment
- 2 equipment under test
- 3 indoor-side compartment

NOTE Values for the variables identified in this figure are calculated using Equations (C.6) and (C.7).

Figure C.4 — Calorimeter energy flows during heating capacity tests

C.5.2 Determination of the heating capacity by measurement in the indoor-side compartment of the calorimeter, ϕ_{hi} , is calculated using Equation (C.6).

$$\phi_{hi} = \phi_{ci} - \Sigma P_{ic} - \phi_{lp} - \phi_{li} \tag{C.6}$$

NOTE ΣP_{ic} is the other power input to the indoor-side compartment (e.g. illumination, electrical and thermal power input to the compensating device, heat balance of the humidification device), in watts.

C.5.3 Determination of the heating capacity by measurement of the heat absorbing side, ϕ_{ho} , is calculated for equipment where the evaporator takes the heat from an airflow using Equation (C.7).

$$\phi_{ho} = \Sigma P_{oc} + P_t + (h_{w4} - h_{w5}) q_{wo} - \phi_{lp} - \phi_{lo} \tag{C.7}$$

where

ΣP_{oc} is the total power input to the outdoor-side compartment with the exception of the power input to the equipment, in watts;

q_{wo} is the water mass flow supplied to the outside compartment for maintaining the test conditions, in kilograms per second;

h_{w5} is the specific enthalpy of the condensed water (in the case of test condition, high) and frost, respectively (in the case of test condition, H2 or H3) in the equipment, in joules per kilogram;

ϕ_{10} is the heat flow through the remaining enveloping surfaces into the outdoor-side compartment, in watts.

Annex D
(normative)

Indoor air enthalpy test method

D.1 General

In the air enthalpy method, capacities are determined from measurements of entering and leaving wet- and dry-bulb temperatures and the associated airflow rate.

D.2 Application

D.2.1 Air leaving the equipment under the test shall lead directly to the discharge chamber. If a direct connection cannot be made between the equipment and the discharge chamber, a short plenum shall be attached to the equipment. In this case, the short plenum shall have the same size as the discharge opening of the equipment or shall be constructed so as not to prevent the leaving air from expanding. The cross-section area of the airflow channel through the discharge chamber shall be such that the average air velocity is less than 1,25 m/s against the airflow rate of the equipment under test. The static pressure difference between the discharge chamber and intake opening of the equipment under test shall be zero. An example of the discharge chamber test set-up is shown in Figure D.1.

D.2.2 Airflow measurements shall be made in accordance with the provisions specified in Annex B.

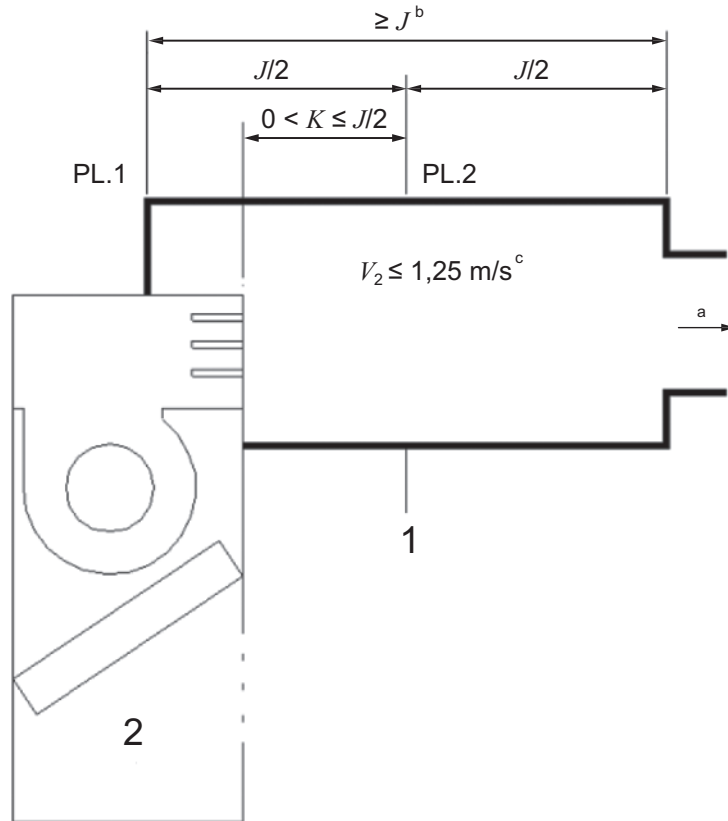
NOTE Additional guidance can be found in ISO 3966 and ISO 5167-1, as appropriate and in the provisions of this annex.

D.2.3 When conducting cooling or steady-state heating capacity tests using the indoor air enthalpy test method, the additional test tolerances given in Table D.1 shall apply.

Table D.1 — Variations allowed during steady-state cooling and heating capacity tests that only apply when using the indoor air enthalpy method

Reading	Variation of arithmetical mean values from specified test conditions	Maximum variation of individual readings from specified test conditions
Temperature of air leaving indoor side: — dry-bulb	—	±2,0 °C ^a
External resistance to indoor airflow	±5 Pa	±5 Pa

^a The tolerance represents the greatest permissible difference between the maximum and minimum observations during the test.



Key

- 1 static pressure tapings
- 2 equipment under test

a To air sampler and airflow measuring apparatus.

b $J = 2D_e$ where $D_e = \sqrt{4AB/\pi}$ and A and B are the dimensions of the equipment's air outlet.

c V_2 is the average air velocity at PL.2.

Figure D.1 — Discharge chamber requirements when using the indoor air enthalpy test method

D.2.4 When conducting transient heating capacity tests using the indoor air enthalpy test method, the additional test tolerances given in Table D.2 shall apply

Table D.2 — Variations allowed during the transient heating tests which only apply when using the indoor air enthalpy test method

Reading	Variation of arithmetical mean values from specified test conditions		Variation of individual readings from specified test conditions	
	Interval H ^a	Interval D ^b	Interval H ^a	Interval D ^b
External resistance to airflow	±5 Pa	—	±5 Pa	—
NOTE For transient heating tests, see 6.1.11.				
<p>^a Applies when the heat pump is in the heating mode, except for the first 10 min after termination of a defrost cycle.</p> <p>^b Applies during a defrost cycle and during the first 10 min after the termination of a defrost cycle when the heat pump is operating in the heating mode.</p>				

D.3 Calculation of cooling capacity

The total cooling capacity based on the indoor-side test data, ϕ_{tci} , shall be calculated using Equation (D.1).

$$\phi_{tci} = \frac{q_{vi}(h_{a1} - h_{a2})}{v_n} = \frac{q_{vi}(h_{a1} - h_{a2})}{v'_n(1 + W_n)} \quad (D.1)$$

The sensible cooling capacity based on the indoor-side test data, ϕ_{sci} , shall be calculated using Equation (D.2).

$$\phi_{sci} = \frac{q_{vi}(c_{pa1}t_{a1} - c_{pa2}t_{a2})}{v_n} = \frac{q_{vi}(c_{pa1}t_{a1} - c_{pa2}t_{a2})}{v'_n(1 + W_n)} \quad (D.2)$$

The latent cooling capacity based on the indoor-side test data, ϕ_d , shall be calculated using Equations (D.3) and (D.4).

$$\phi_d = \frac{K_1 q_{vi}(W_{i1} - W_{i2})}{v_n} = \frac{K_1 q_{vi}(W_{i1} - W_{i2})}{v'_n(1 + W_n)} \quad (D.3)$$

$$\phi_d = \phi_{tci} - \phi_{sci} \quad (D.4)$$

D.4 Calculation of heating capacity

Total heating capacity based on indoor-side data, ϕ_{thi} , shall be calculated using Equation (D.5).

$$\phi_{thi} = \frac{q_{vi}(c_{pa2}t_{a2} - c_{pa1}t_{a1})}{v_n} = \frac{q_{vi}(c_{pa2}t_{a2} - c_{pa1}t_{a1})}{v'_n(1 + W_n)} \quad (D.5)$$

NOTE Equations (D.1), (D.2), (D.3) and (D.5) do not provide allowance for heat leakage in the test duct and the discharge chamber.

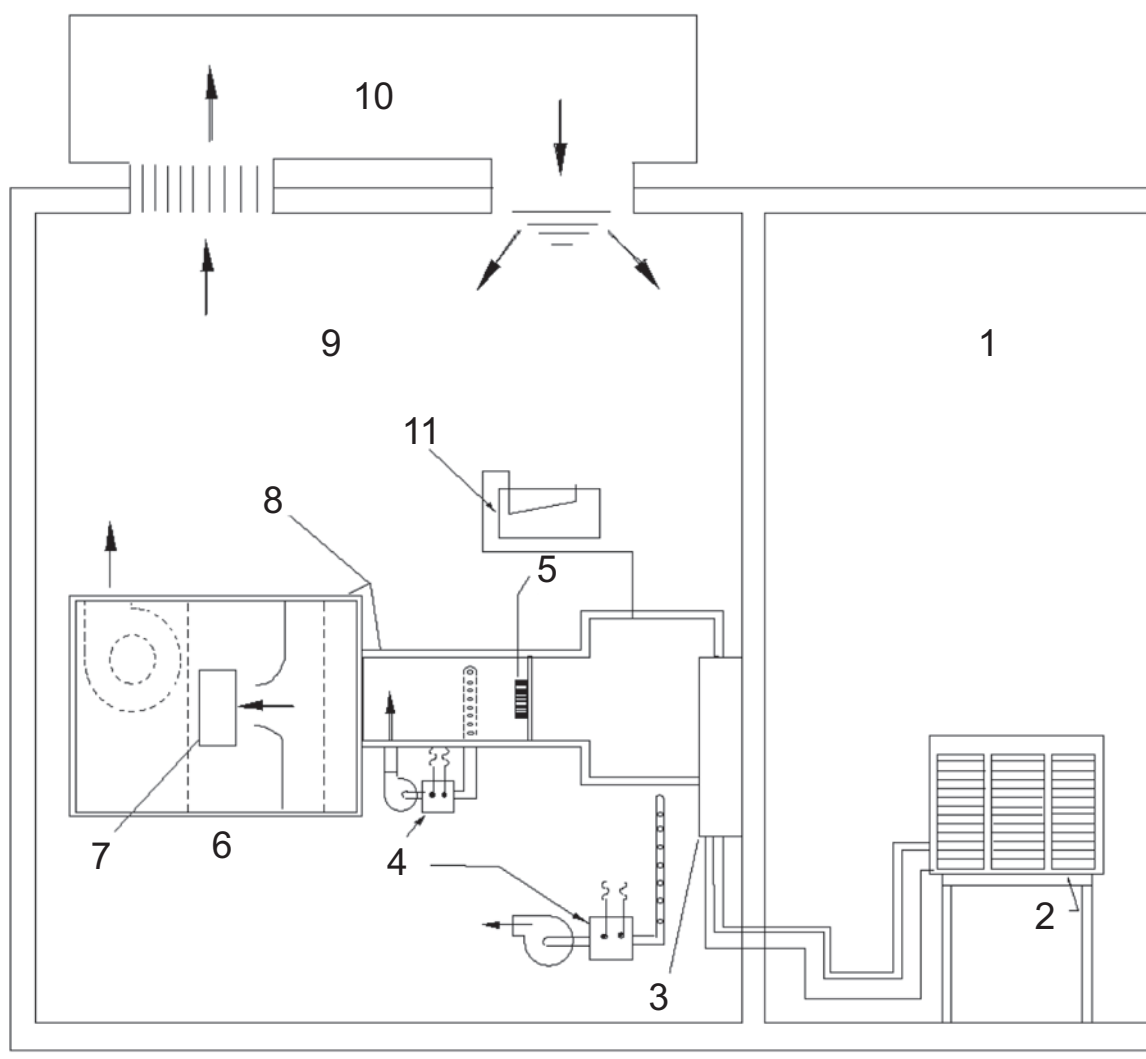
D.5 Airflow enthalpy measurements

D.5.1 General

The following test apparatus arrangements are recommended.

D.5.2 Tunnel air enthalpy method

The equipment to be tested is typically located in a test room or rooms. An air measuring device is attached to the equipment air discharge (indoor, outdoor or both, as applicable). This device discharges directly into the test room or space, which is provided with suitable means for maintaining the air entering the equipment at the desired wet- and dry-bulb temperatures (See Figure D.2). Suitable means for measuring the wet- and dry-bulb temperatures of the air entering and leaving the equipment and the external resistance shall be provided.



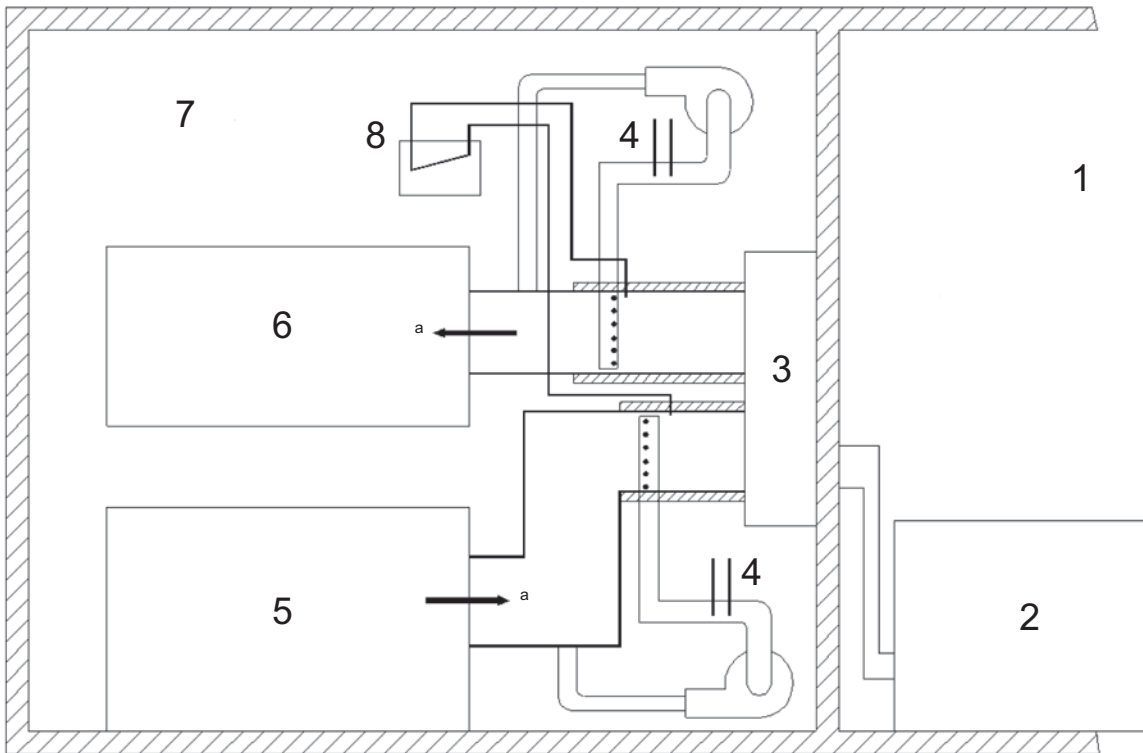
Key

- | | |
|--|--|
| 1 outdoor-side test room | 7 door/window |
| 2 outdoor unit of equipment under test | 8 insulation |
| 3 indoor-side coil section of equipment under test | 9 indoor-side test room |
| 4 air temperature and humidity measuring instruments | 10 room conditioning apparatus |
| 5 mixer | 11 apparatus for differential pressure measurement |
| 6 airflow measuring apparatus | |

Figure D.2 — Tunnel air enthalpy method

D.5.3 Loop air enthalpy method

This arrangement differs from the tunnel arrangement in that the air measuring device discharge is connected to suitable reconditioning equipment which is, in turn, connected to the equipment inlet (See Figure D.3). The resulting test “loop” shall be sealed so that air leakage at places that would influence capacity measurements does not exceed 1,0 % of the test airflow rate. The dry-bulb temperature of the air surrounding the equipment shall be maintained at within $\pm 3,0$ °C of the desired test inlet dry-bulb temperature. Wet- and dry-bulb temperatures and external resistance shall be measured by suitable means.



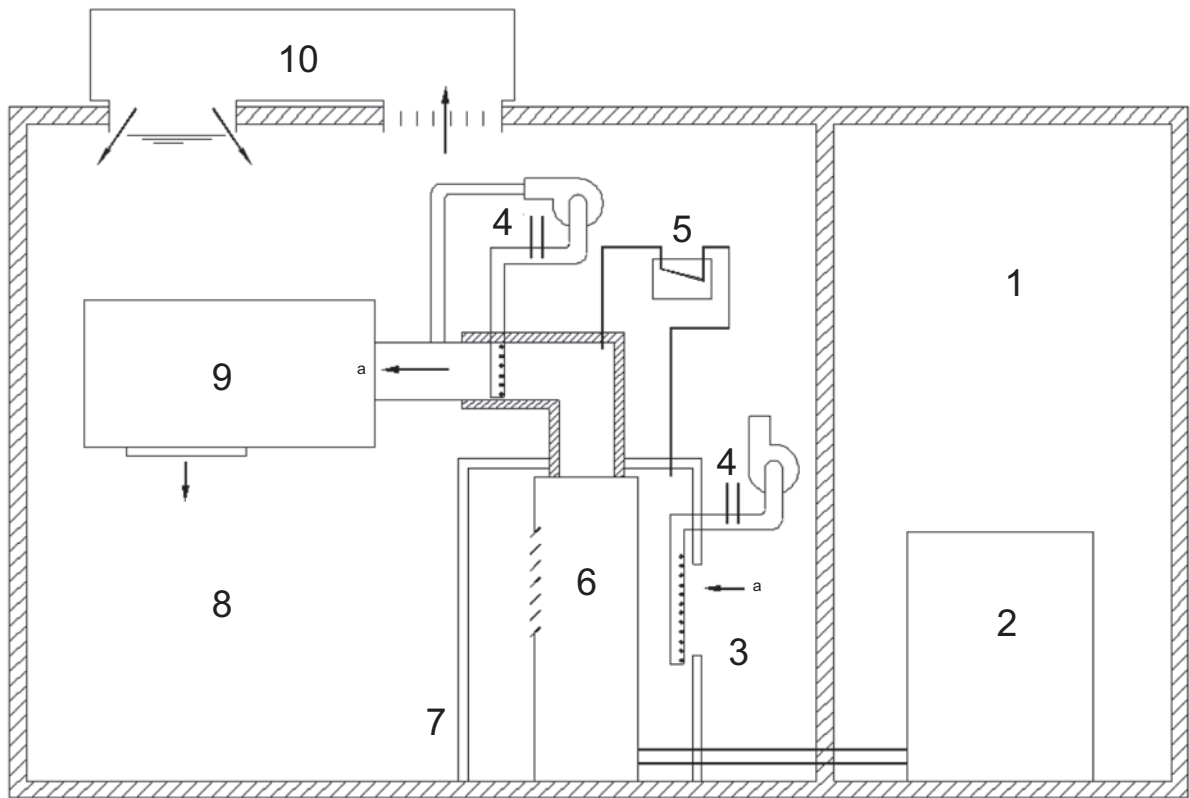
Key

- | | |
|--|---|
| 1 outdoor-side test room | 5 reconditioning apparatus |
| 2 outdoor unit of equipment under test | 6 air flow measuring apparatus |
| 3 indoor unit of equipment under test | 7 indoor-side test room |
| 4 temperature and humidity measuring instruments | 8 apparatus for differential pressure measurement |
| a Airflow. | |

Figure D.3 — Loop air enthalpy test method arrangement

D.5.4 Calorimeter air enthalpy method

For equipment in which the compressor is ventilated independently of the indoor air stream, the calorimeter air enthalpy method arrangement shall be employed to take into account compressor heat radiation (see Figure D.4). In this arrangement, an enclosure is placed over the equipment, or applicable part of the equipment, under test. This enclosure may be constructed of any suitable material, but shall be non-hygroscopic, shall be airtight and preferably insulated. It shall be large enough to permit inlet air to circulate freely between the equipment and the enclosures and in no case shall the enclosure be closer than 150 mm to any part of the equipment. The inlet to the enclosure shall be remotely located from the equipment's inlet so as to cause circulation throughout the entire enclosed space. An air measuring device is to be connected to the equipment's discharge. This device shall be well insulated where it passes through the enclosed space. Wet- and dry-bulb temperatures of the air entering the equipment are to be measured at the enclosure inlet. Temperature and external resistance measurements shall be carried out by suitable means.



Key

- | | |
|--|--|
| 1 outdoor-side test room | 6 indoor-side coil section of equipment under test |
| 2 outdoor unit of equipment under test | 7 enclosure |
| 3 air inlet | 8 indoor-side test room |
| 4 air temperature and humidity measuring instruments | 9 airflow measuring apparatus |
| 5 apparatus for differential pressure measurement | 10 room conditioning apparatus |
| ^a Airflow. | |

Figure D.4 — Calorimeter air enthalpy test method arrangement

Annex E (informative)

Compressor calibration test method

E.1 General description

E.1.1 In this method, total cooling or heating capacity is determined as follows:

- a) from measurements of properties of the refrigerant entering and leaving the indoor side of the equipment and the associated refrigerant flow rate as determined by subsequent calibration of the compressor under identical operating conditions. Direct capacity measurements should be used when the superheat of the refrigerant leaving the evaporator is less than 3,0 °C;
- b) by measuring capacity directly with a calorimeter when the compressor is operating at the identical conditions encountered during the equipment test.

E.1.2 When the compressor calibration method is employed, the requirements in E.2 and E.3 apply to both the equipment test and the compressor calibration test.

E.1.3 Cooling and heating capacities obtained by the compressor calibration method should include thermal effects of the fan.

E.2 Measurement of refrigerant properties

E.2.1 The equipment should be operated at the desired test conditions and measurements of the temperature and pressure of the refrigerant entering and leaving the compressor should be recorded at equal intervals that span 5 min or less. These readings should be obtained during the data collection period of the cooling or heating capacity test.

E.2.2 On equipment not sensitive to refrigerant charge, pressure gages may be tapped into the refrigerant lines.

E.2.3 On equipment sensitive to refrigerant charge, refrigerant pressures should be determined after this test because the connection of pressure gages might result in a loss of charge. To accomplish this, temperatures are measured during the test by means of thermocouples soldered to return bends at the midpoints of each indoor and outdoor coil circuit or at points not affected by vapour superheat or liquid sub-cooling. Following the test, gages are connected to the lines and the equipment is evacuated and charged with the type and quantity of refrigerant specified on the nameplate. The equipment is then operated again at test conditions and, if necessary, refrigerant charge is added or removed until the coil thermocouple measurements are within $\pm 0,3$ °C of their original values, the temperatures of the refrigerant vapour entering and leaving the compressor are within $\pm 2,0$ °C of their original values and the temperature of the liquid entering the expansion device is reproduced within $\pm 0,6$ °C. The operating pressures should then be observed.

E.2.4 Refrigerant temperatures should be measured by means of thermocouples soldered to the lines at appropriate locations.

E.2.5 No thermocouples should be removed, replaced or otherwise disturbed during any portion of a complete capacity test.

E.2.6 Temperatures and pressures of the refrigerant vapour entering and leaving the compressor should be measured in the refrigerant lines approximately 250 mm from the compressor shell. If the reversing valve is included in the calibration, these data should be taken on the lines to the coils and approximately 25 cm from the valve.

E.3 Compressor calibration

E.3.1 The refrigerant flow-rate, q_r , should then be determined from the calibration of the compressor at the predetermined compressor entering and leaving refrigerant pressures and temperatures by one of the primary test methods described in ISO 917.

E.3.2 Calibration tests should be performed with the compressor and reversing valve (where used) at the same ambient temperature and air pattern as in the tested equipment.

E.3.3 For the

- a) secondary refrigerant calorimeter method,
- b) flooded system primary refrigerant calorimeter method,
- c) dry system primary refrigerant calorimeter method, and
- d) concentric tube calorimeter method,

the refrigerant flow rate, q_r , is calculated using Equation (E.1):

$$q_r = \phi_{tci} / (h_{g1} - h_{f1}) \quad (\text{E.1})$$

E.3.4 The gaseous refrigerant flow meter method gives refrigerant flow directly.

E.3.5 Total cooling capacity is calculated as prescribed in E.5.1 and E.5.2. Total heating capacity is calculated as prescribed in E.6.

E.4 Direct heating capacity measurements

E.4.1 For compressor calibration tests, when the evaporator superheat on the heating cycle is less than 3,0 °C, the refrigerant flow-rate should be determined using the heat rejection from the calorimeter condenser. A water-cooled condenser, insulated against heat leakage, is required. The condenser may be used with any of the calorimeter arrangements in E.3.3.

E.4.2 This method may be used only when the calculated heat leakage from the condenser to the ambient is less than 2 % of the refrigerating effect of the compressor.

E.4.3 The compressor calibration test should be run as specified in E.3. Additional data required are:

- a) refrigerant pressure and temperature entering condenser;
- b) refrigerant pressure and temperature leaving condenser;
- c) water temperatures entering and leaving condenser;
- d) ambient temperature surrounding condenser;
- e) quantity of condenser cooling water;
- f) average temperature of condenser jacket surface exposed to ambient.

E.4.4 The refrigerant flow-rate, q_r , is calculated using Equation (E.2)

$$q_r = [q_w c_{pw} (t_{w1} - t_{w2}) + A_1 (t_c - t_a)] / (h_{g2} - h_{f2}) \quad (\text{E.2})$$

E.4.5 Total heating capacity, ϕ_{tci} , is calculated as given in E.6.

E.5 Calculation of cooling capacity

E.5.1 For tests in which the evaporator superheat is 3,0 °C or more, total cooling capacity based on compressor calibration data is calculated from the refrigerant flow-rate using Equation (E.3):

$$\phi_{\text{tci}} = q_r (h_{r2} - h_{r1}) - P_t \quad (\text{E.3})$$

E.5.2 For tests in which the evaporator superheat is less than 3,0 °C, total cooling capacity is calculated using Equation (E.4):

$$\phi_{\text{tci}} = \phi_e + A_1 (t_a - t_c) - P_i \quad (\text{E.4})$$

E.6 Calculation of heating capacity

E.6.1 Total heating capacity based on compressor calibration data is calculated from the refrigerant flow-rate using Equation (E.5):

$$\phi_{\text{tci}} = q_r (h_{r1} - h_{r2}) - P_i \quad (\text{E.5})$$

Annex F (informative)

Refrigerant enthalpy test method

F.1 General description

F.1.1 In this test method, capacity is determined from the refrigerant enthalpy change and flow-rate. Enthalpy changes are determined from measurements of entering and leaving pressures and temperatures of the refrigerant, and the flow-rate is determined by a suitable flow meter in the liquid line.

F.1.2 This method may be used for tests of equipment in which the refrigerant charge is not critical and where normal installation procedures involve the field connection of refrigerant lines.

F.1.3 This method should neither be used for tests in which the refrigerant liquid leaving the flow meter is sub-cooled to less than 2,0 °C nor for tests in which the superheat of the vapour leaving the indoor side is less than 3,0 °C.

F.1.4 Cooling and heating capacities obtained by the refrigerant enthalpy method should include the thermal effects of the fan.

F.2 Refrigerant flow method

F.2.1 The refrigerant flow-rate should be measured with an integrating-type flow meter connected in the liquid line upstream of the refrigerant control device. This meter should be sized such that its pressure drop does not exceed the vapour pressure change that a 2,0 °C temperature change would produce.

F.2.2 Temperature and pressure measuring instruments and a sight glass should be installed immediately downstream of the meter to determine if the refrigerant liquid is adequately subcooled. Sub-cooling of 2,0 °C and the absence of any vapour bubbles in the liquid leaving the meter are considered adequate. It is recommended that the meter be installed at the bottom of a vertical downward loop in the liquid line to take advantage of the static head of the liquid thus provided.

F.2.3 At the end of the test, a sample of the circulating refrigerant and oil mixture may be taken from the equipment and its concentration of oil, X_o , calculated using Equation (F.1).

$$X_o = \frac{W_5 - W_1}{W_3 - W_1} \quad (\text{F.1})$$

The total indicated flow-rate should be corrected for the amount of oil circulating.

F.3 Refrigerant temperature and pressure measurements

The temperature of refrigerant entering and leaving the indoor side of the equipment should be measured with instruments having an accuracy of $\pm 0,1$ °C.

F.4 Calculation of cooling capacity

Total cooling capacity, ϕ_{tci} , based on volatile refrigerant flow data is calculated using Equation (F.2):

$$\phi_{\text{tci}} = x_r q_{\text{ro}} (h_{\text{r2}} - h_{\text{r1}}) - P_i \quad (\text{F.2})$$

F.5 Calculation of heating capacity

Total heating capacity, ϕ_{thi} , based on volatile refrigerant flow data is calculated using Equation (F.3):

$$\phi_{\text{thi}} = x_r q_{\text{ro}} (h_{\text{r1}} - h_{\text{r2}}) + P_i \quad (\text{F.3})$$

Annex G (informative)

Outdoor air enthalpy test method

G.1 General

G.1.1 In the air enthalpy test method, capacities are determined from measurements of entering and leaving wet-bulb and dry-bulb temperatures and the associated airflow rate.

G.1.2 Outdoor air enthalpy tests are subject to the apparatus arrangement limitations specified in G 2.1. Additional provisions apply if the compressor is independently ventilated (see G.2.2). Line loss adjustment permitted by G.4.3 may be made if the equipment employs remote outdoor coils.

G.2 Test room requirements

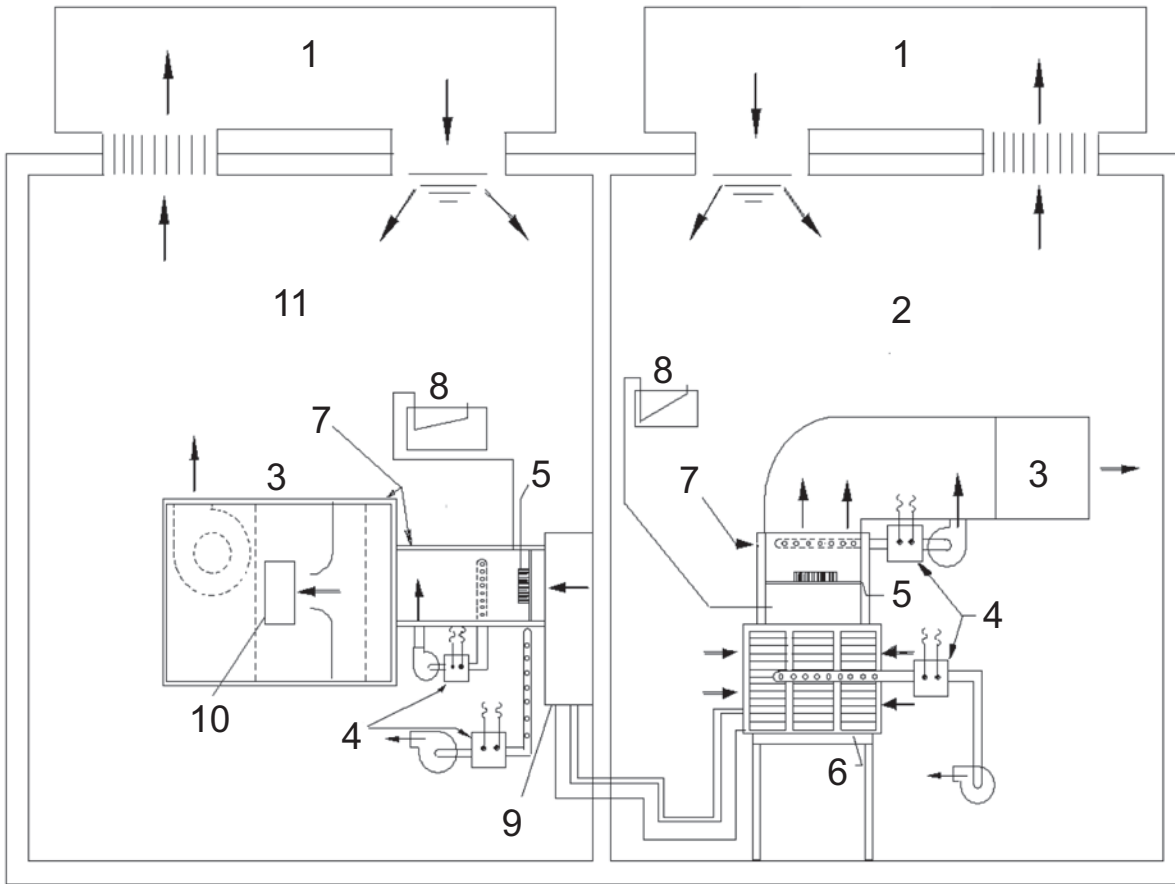
G.2.1 When the air enthalpy method is employed for outdoor-side tests, it should be ascertained whether the attachment of the airflow measuring device changes the performance of the equipment being tested and, if so, corrections should be made for this change (see Figure G.1). To accomplish this, the equipment should have thermocouples soldered to return bends at approximately the midpoints of each indoor coil and outdoor coil circuit. Equipment not sensitive to refrigerant charge may, alternatively, be provided with pressure gauges connected to access valves or tapped into the suction and discharge lines. The equipment should then be operated at the desired conditions, with the indoor-side test apparatus connected, but not the outdoor-side apparatus. Data should be recorded at 10-min intervals for a period of not less than one-half hour after equilibrium has been attained. The outdoor-side test apparatus should then be connected to the equipment and the pressure or temperatures indicated by the aforementioned gages or thermocouples noted. If, after equilibrium is again attained, these do not average within $\pm 0,3$ °C or its pressure equivalent of the averages observed during the preliminary test, the outdoor airflow rate should be adjusted until the specified agreement is attained. The test should be continued for a period of one-half hour after attainment of equilibrium at the proper conditions with the outdoor test apparatus connected; the indoor-side test results during this interval should agree within $\pm 2,0$ % with the results obtained during the preliminary test period. This applies for both the cooling and the heating cycle, but needs to be done at any one condition for each.

G.2.2 For equipment in which the compressor is ventilated independently of the outdoor air stream, the calorimeter air enthalpy method arrangement should be employed to take into account compressor heat radiation (see Figure D.4).

G.2.3 When the outdoor airflow is adjusted as described in G.2.1, the adjusted air-flow rate is employed in the capacity calculation. In such cases, however, the outdoor fan power input observed during the preliminary tests should be used for rating purposes.

G.3 Testing conditions

When the outdoor air enthalpy method is used, the requirements in 5.1.4.1.2 and 5.1.4.1.3 apply to both the preliminary test (see G.2.1) and the regular equipment test.



Key

- | | |
|--|--|
| 1 room conditioning apparatus | 7 insulation |
| 2 outdoor-side test room | 8 apparatus for differential pressure measurement |
| 3 airflow measuring apparatus | 9 indoor-side coil section of equipment under test |
| 4 air temperature and humidity measuring instruments | 10 door/window |
| 5 mixer | 11 indoor-side test room |
| 6 outdoor unit of equipment under test | |

Figure G.1 — Outdoor air enthalpy test method arrangement

G.4 Calculations

G.4.1 Total indoor cooling capacity based on outdoor-side data, ϕ_{tci} , is calculated using Equation (G.1):

$$\phi_{tci} = \frac{q_{mo} (c_{pa4} t_{a4} - c_{pa3} t_{a3})}{v'_n (1 + W_n) - P_t} \tag{G.1}$$

G.4.2 Total heat capacity based on outdoor-side data, ϕ_{tho} , is calculated using Equation (G.2):

$$\phi_{tho} = \frac{q_{mo} (h_{a3} - h_{a4})}{[v'_n (1 + W_n)] + P_k} \tag{G.2}$$

G.4.3 If line loss corrections are to be made, they should be included in the capacity calculations. Allowance should be made using Equation (G.3):

$$\phi_L = \frac{1}{R1 + R2} \times L \times \Delta T \quad (\text{G.3})$$

where

$$R1 = \frac{\text{Ln}\left(\frac{0,5D_t + T}{0,5D_t}\right)}{2\pi\lambda} = \frac{1}{2\pi\lambda} \text{Ln}\left(1 + 2\frac{T}{D_t}\right) \quad (\text{G.4})$$

$$R2 = \frac{1}{\pi(D_t + 2T)\alpha_a} \quad (\text{G.5})$$

ΔT is the temperature difference between the inside and the outside of the tube.

Annex H (informative)

Indoor calorimeter confirmative test method

H.1 General

H.1.1 This annex provides a method for confirming the test results when the cooling and heating capacities are determined by the indoor air enthalpy test method.

H.1.2 In this test method, confirmation should be carried out in the test room specified in H.2, using the measuring method specified in H.3.

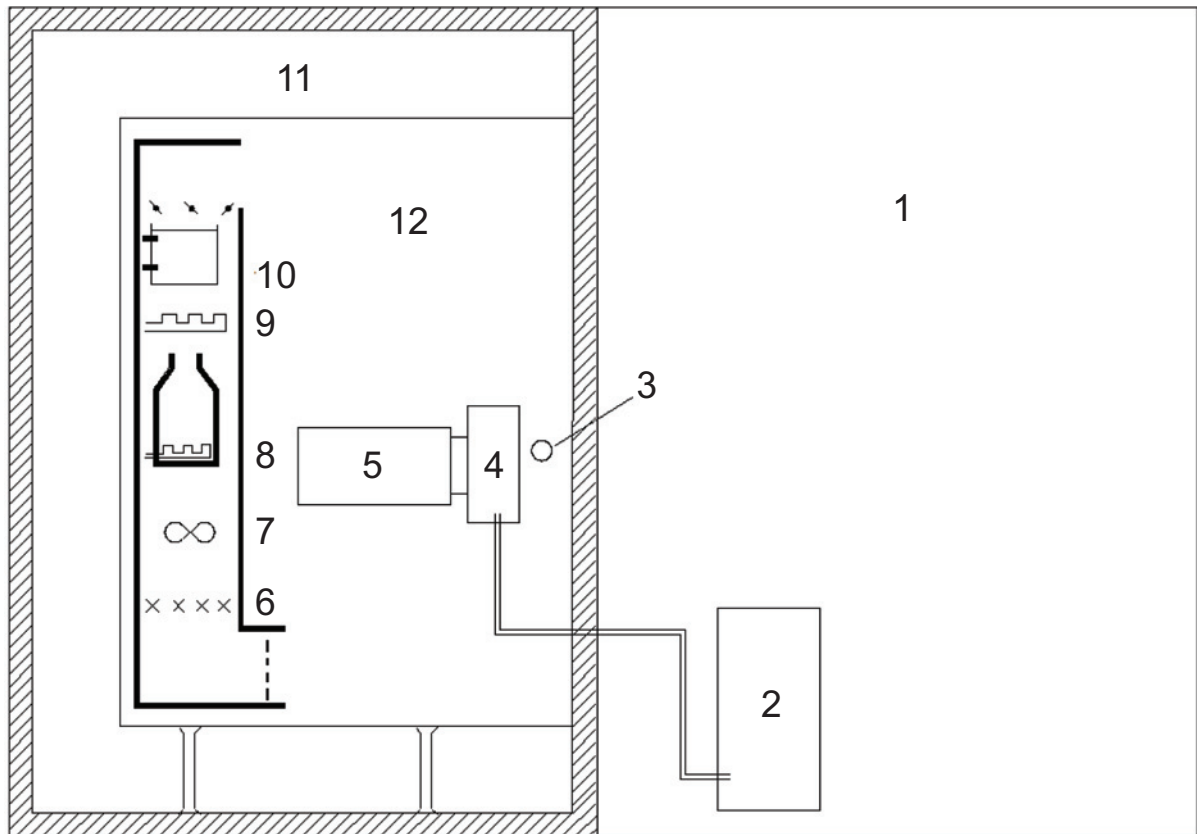
H.2 Test room requirements

A recommended test room is shown in Figure H.1. This test room should be constructed such that the air enthalpy test apparatus is installed in the indoor-side compartment of the calorimeter described in Annex C. The calorimeter should be of either the calibrated room-type or the balanced ambient room-type. The air enthalpy test apparatus should be equipped with means of not only measuring airflow rate and enthalpies at the inlet and outlet of the equipment under test but also means for measuring the total power input to the air enthalpy test apparatus. It is recommended that air leaving the air enthalpy test apparatus lead to the vicinity of the intake opening of the reconditioning apparatus of the calorimeter.

H.3 Measurement

H.3.1 Measurements should be carried out 1 h after the attainment of equilibrium conditions.

H.3.2 Simultaneous measurements made by the calorimeter and the air enthalpy test apparatus should be made in accordance with the methods specified. Cooling capacity determined by measurements using the calorimeter should be calculated in accordance with Equation (C.1) and heating capacity should be calculated in accordance with Equation (C.6). Likewise, cooling capacity determined by measurements with the air enthalpy test apparatus is calculated in accordance with Equation (D.1) and heating capacity in accordance with Equation (D.5).



Key

- | | |
|---------------------------------------|-------------------------------------|
| 1 outdoor-side compartment | 7 fan |
| 2 equipment under test – outdoor unit | 8 humidifier |
| 3 air-sampling tube | 9 heating coil |
| 4 equipment under test – indoor unit | 10 cooling coil |
| 5 airflow measuring apparatus | 11 controlled-temperature air space |
| 6 mixer | 12 indoor-side compartment |

Figure H.1 — Indoor calorimeter confirmative test method arrangement

Annex I (informative)

Outdoor calorimeter confirmative test method

I.1 General

I.1.1 This annex provides a method for confirming the test results when the cooling and heating capacities are determined by the indoor air enthalpy test method.

I.1.2 In this test method, confirmation should be carried out in the test room specified in I.2, using the measuring method specified in I.3.

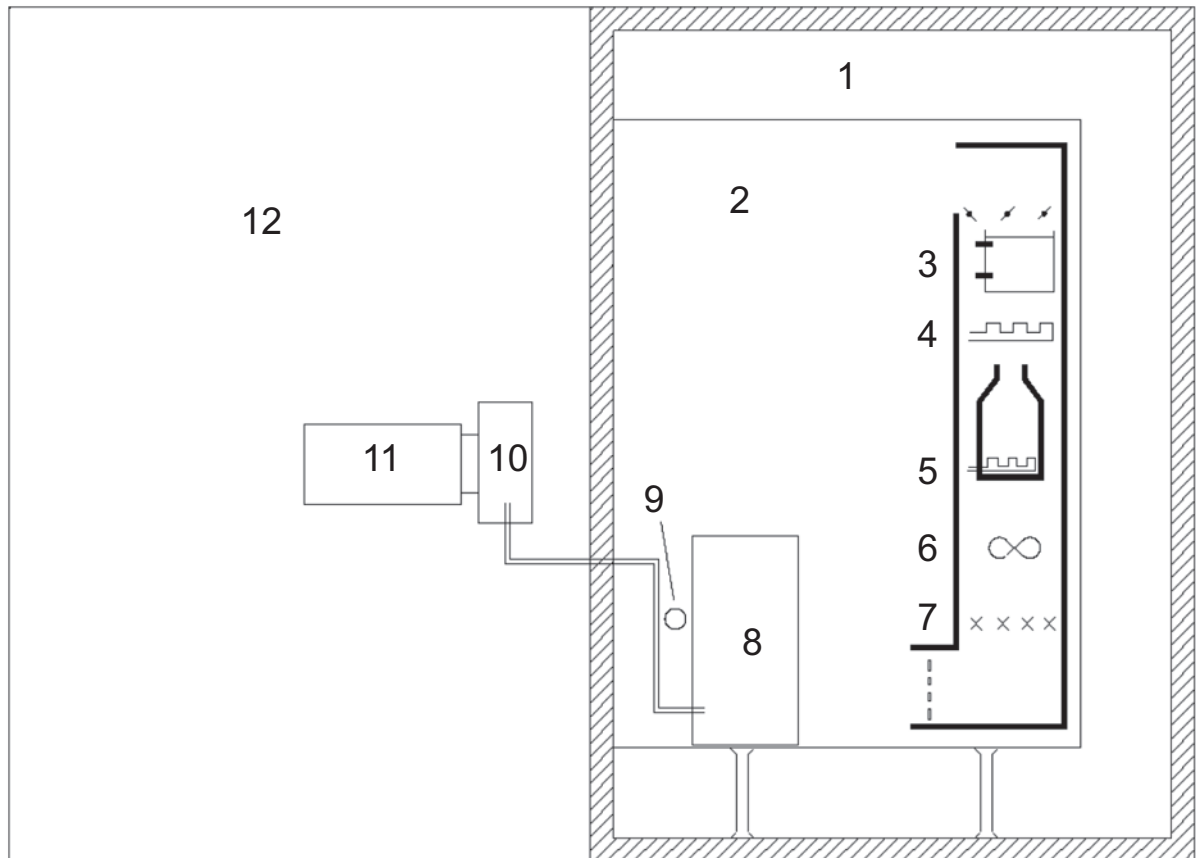
I.2 Test room requirements

The air enthalpy test apparatus in the indoor-side compartment should be constructed in accordance with this International Standard. The outdoor-side apparatus is the calorimeter, which should be constructed and equipped with the measuring means described in Annex C. A recommended test room is shown in Figure I.1.

I.3 Measurement

I.3.1 Measurements should be carried out 1 h after attainment of equilibrium conditions.

I.3.2 Simultaneous measurements should be made using the air enthalpy apparatus on the indoor side and the calorimeter on the outdoor side in accordance with the methods specified. Cooling capacity determined by measurements using the calorimeter should be calculated in accordance with Equation (C.2) and heating capacity should be calculated in accordance with Equation (C.7).



Key

- | | |
|------------------------------------|---------------------------------------|
| 1 controlled-temperature air space | 7 mixer |
| 2 outdoor-side compartment | 8 equipment under test – outdoor unit |
| 3 cooling coil | 9 air-sampling tube |
| 4 heating coil | 10 equipment under test – indoor unit |
| 5 humidifier | 11 airflow measuring apparatus |
| 6 fan | 12 indoor-side compartment |

Figure I.1 — Outdoor calorimeter confirmative test method arrangement

Annex J (informative)

Balanced-type calorimeter confirmative test method

J.1 General

J.1.1 This annex provides a method for manufacturers to confirm the test results when the cooling and heating capacities are determined by the indoor air enthalpy test method.

This test method should not be used as a method of confirmation by testing laboratories, because it does not provide for simultaneous confirmative test results.

J.1.2 This method should be carried out by installing the equipment, which has been measured by the balanced-type calorimeter, in the indoor air enthalpy test apparatus for measurement under the same conditions as in the balanced-type calorimeter.

J.1.3 The performance of the indoor air enthalpy apparatus should be verified at least every 12 months using an industry standard cooling/heating calibrating device. A calibrating device may also be another piece of equipment for which the performance has been measured at an accredited national test laboratory as part of an industry-wide cooling/heating capacity verification programme.

J.2 Measurement

J.2.1 When this test method is employed, it is desirable to confirm that there is no difference between the capacities measured by the calorimeter and the indoor air enthalpy test apparatus. To accomplish this, the equipment should have thermocouples soldered to the return bends at approximately the midpoints of each of the indoor coil and outdoor coil circuits. Equipment not sensitive to refrigerant charge may, alternatively, be provided with the pressure gauges connected to access valves or tapped into the suction and discharge lines.

J.2.2 Firstly, the equipment to be tested should be installed in the balanced-type calorimeter described in Annex C to carry out the measurement of capacity. Then, the equipment should be moved to the indoor air enthalpy test apparatus and be measured by the specified method. It is desirable to measure both cooling and heating capacities, though either may be measured. However, if the cooling capacity is measured by the calorimeter, the same measurement should also be made in the indoor air enthalpy test apparatus.

J.2.3 If no alteration is made to the installation of the equipment under test, a series of tests which are subsequently conducted should be deemed valid.

Annex K (informative)

Cooling condensate measurements

K.1 General

The latent cooling capacity should be determined from measurements of the condensate flow rate. The drain connection should be trapped to stabilize the condensate flow.

K.2 Calculations

K.2.1 The latent cooling capacity, ϕ_d , is calculated using Equation (K.1):

$$\phi_d = 1000K_1q_{wc} \quad (\text{K.1})$$

K.2.2 The sensible cooling capacity, ϕ_{sci} , is then calculated using Equation (K.2):

$$\phi_{sci} = \phi_{tci} - \phi_{lci} \quad (\text{K.2})$$

Annex L (informative)

Pictorial examples of the heating capacity test procedures given in 6.1

L.1 General

The six schematic diagrams given in the examples in L.2 show several cases which could occur while conducting a heating capacity test as specified in 6.1. All examples show cases where a defrost cycle ends the preconditioning period. Examples 2 to 6 in L.2 represent cases where the indoor air enthalpy method is used and, as a result, the data collection period for the transient test lasts 3 h or three complete cycles (as opposed to 6 h or six complete cycles if using the calorimeter test method).

L.2 Procedure flow chart for heating capacity test

The following flow chart gives the procedures to be adopted and the clauses in the main text to be used when conducting the heating capacity test.

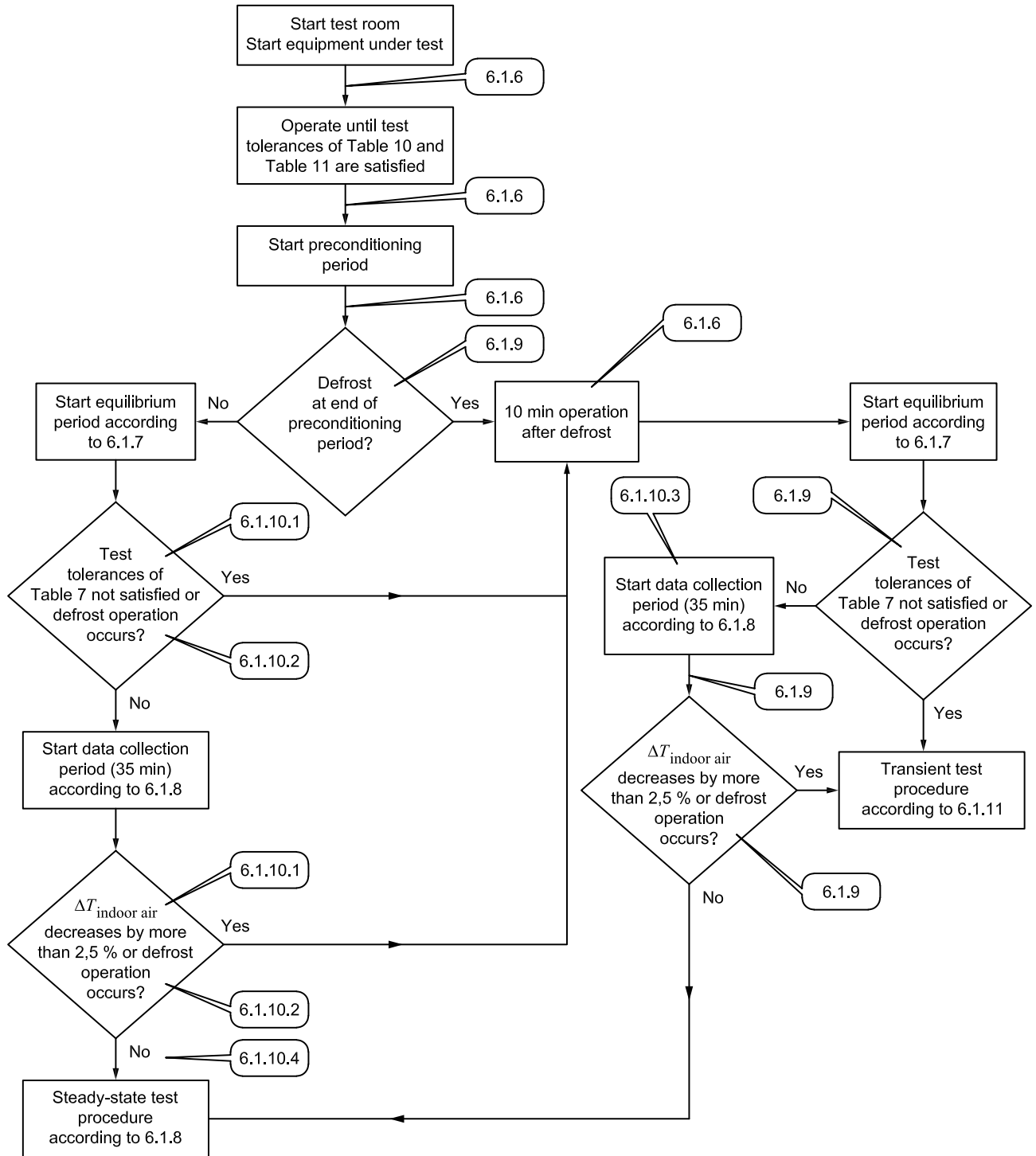
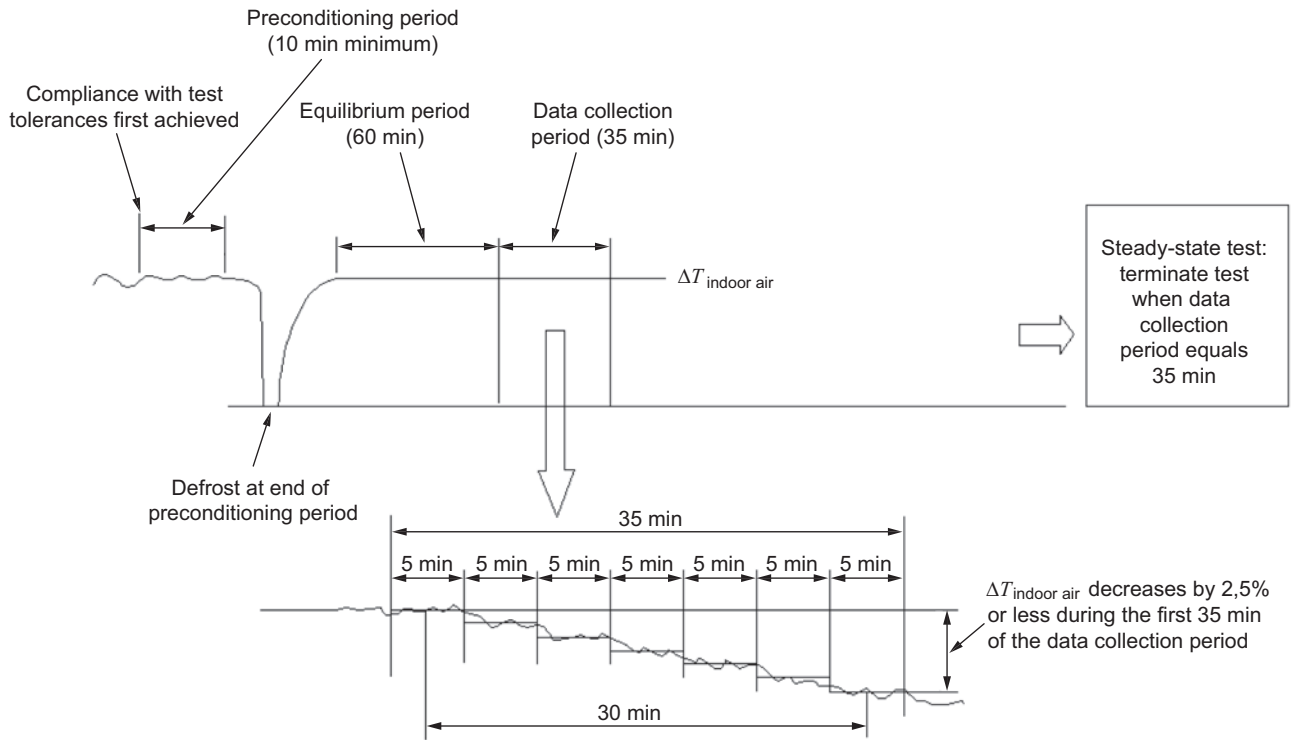
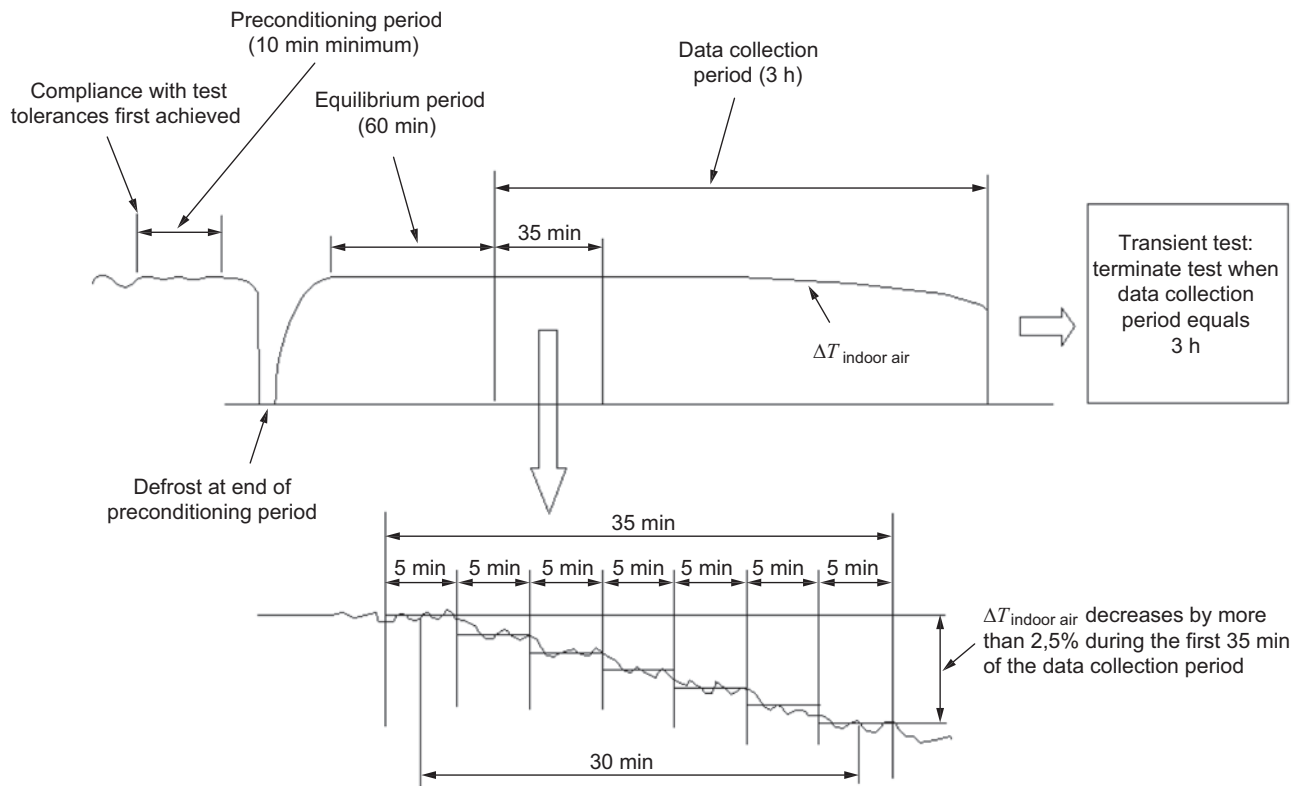


Figure L.1 — Procedure flow chart

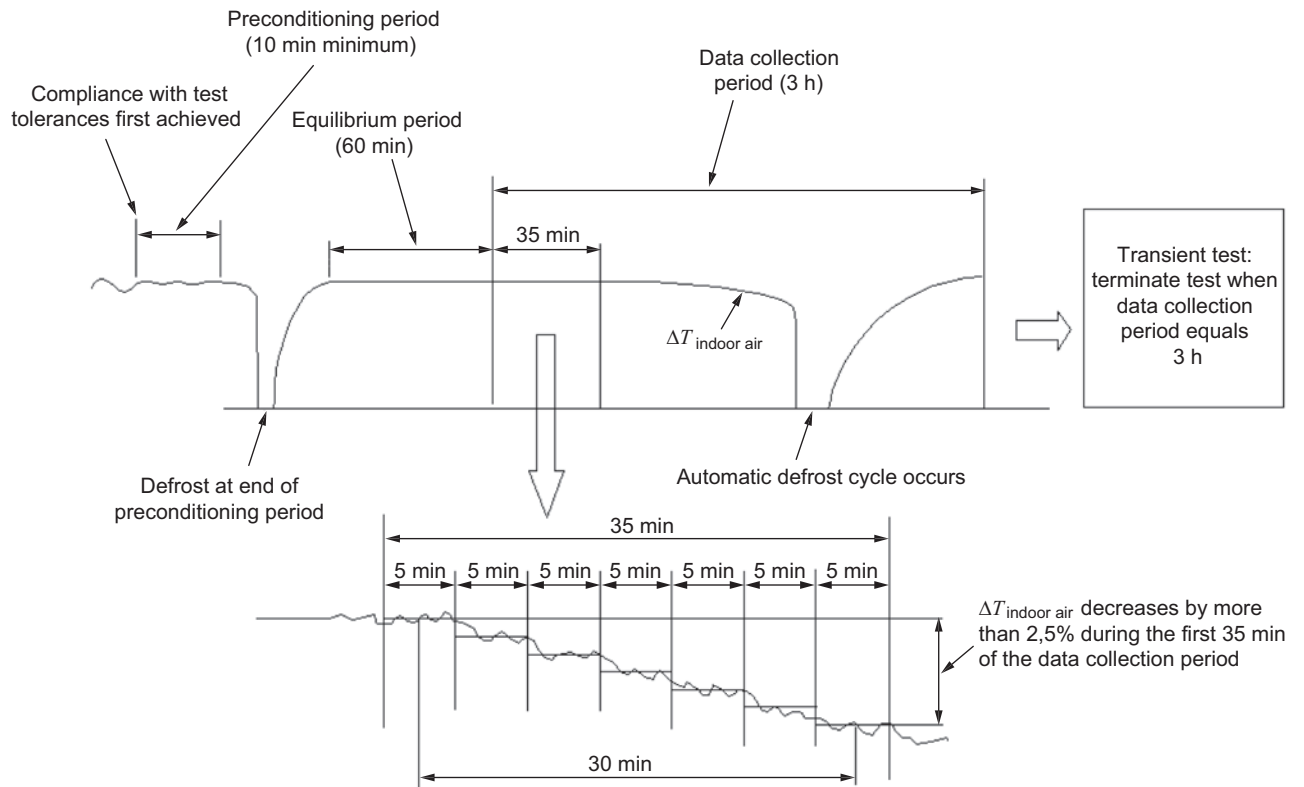
EXAMPLE 1 Steady-state heating capacity test



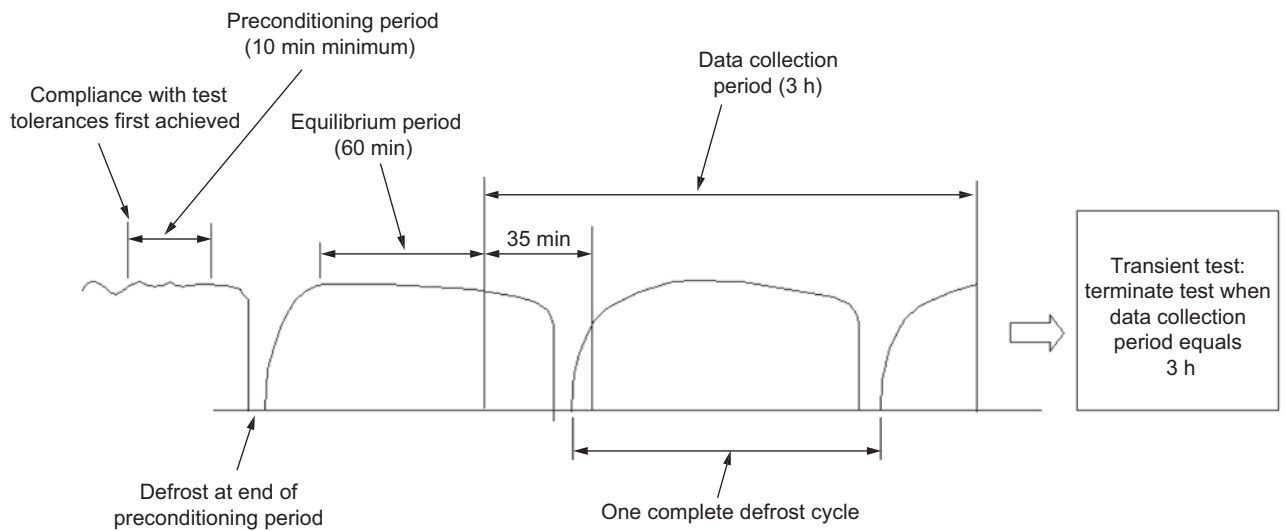
EXAMPLE 2 Transient heating capacity test with no defrost cycles



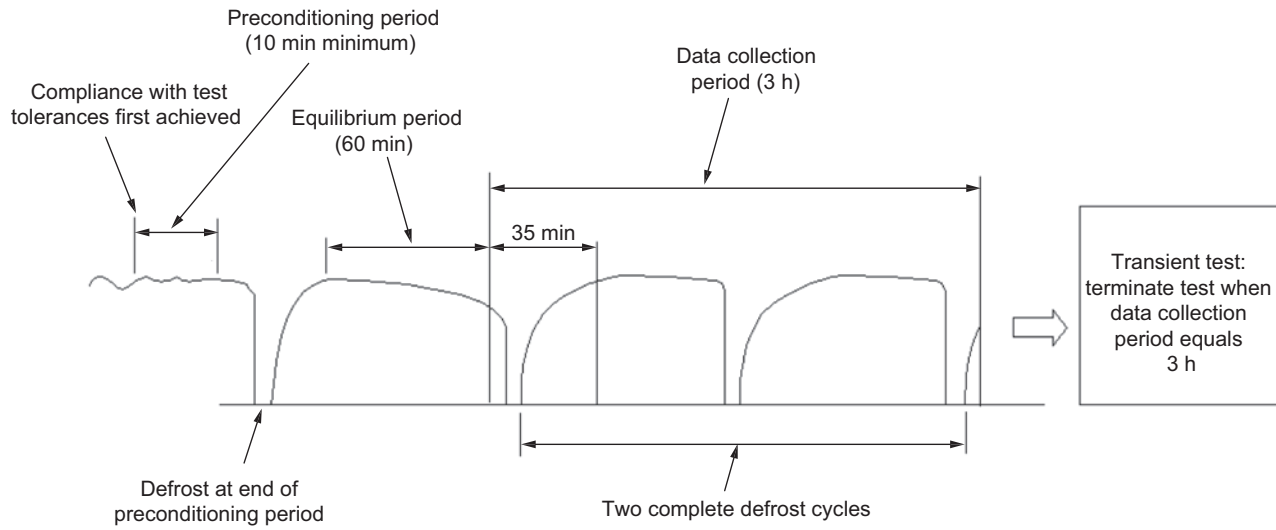
EXAMPLE 3 Transient heating capacity test with one defrost cycle during the data collection period



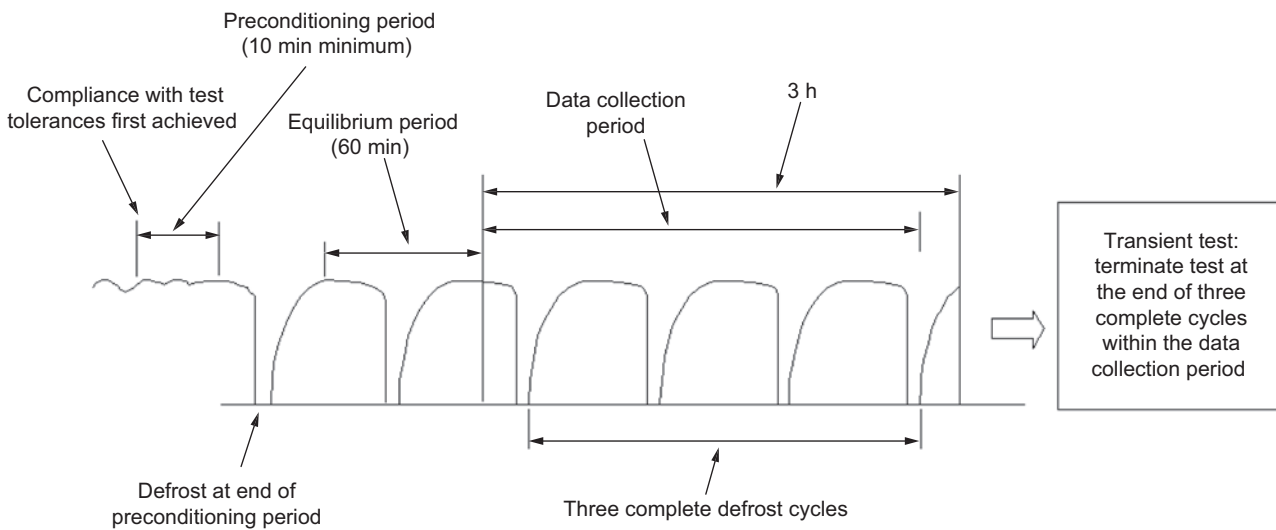
EXAMPLE 4 Transient heating capacity test with one complete cycle during the data collection period



EXAMPLE 5 Transient heating capacity test with two complete cycles during the data collection period



EXAMPLE 6 Transient heating capacity test with three complete cycles during the data collection period



Bibliography

- [1] ISO 917, *Testing of refrigerant compressors*
- [2] ISO 3966, *Measurement of fluid flow in closed conduits — Velocity area method using Pitot static tubes*
- [3] ISO 5167-1, *Measurement of fluid flow by means of pressure differential devices inserted in circular cross-section conduits running full — Part 1: General principles and requirements*
- [4] ISO/IEC Guide 98-3, *Uncertainty of measurement — Part 3: Guide to the expression of uncertainty in measurement (GUM:1995)*
- [5] ISO 13253, *Ducted air conditioners and air-to-air heat pumps — Testing and rating for performance*
- [6] ISO 15042, *Multiple split-system air conditioners and air-to-air heat pumps — Testing and rating for performance*

