

---

International Standard



5019/5

---

INTERNATIONAL ORGANIZATION FOR STANDARDIZATION • МЕЖДУНАРОДНАЯ ОРГАНИЗАЦИЯ ПО СТАНДАРТИЗАЦИИ • ORGANISATION INTERNATIONALE DE NORMALISATION

---

INTERNATIONAL STANDARD

## Refractory bricks — Dimensions — Part 5 : Skewbacks

*Briques réfractaires — Dimensions — Partie 5 : Sommiers*

First edition — 1984-09-15

---

UDC 666.76-43

Ref. No. ISO 5019/5-1984 (E)

Descriptors : refractory materials, bricks, dimensions.

Price based on 2 pages

## Foreword

ISO (the International Organization for Standardization) is a worldwide federation of national standards bodies (ISO member bodies). The work of preparing International Standards is normally carried out through ISO technical committees. Every member body interested in a subject for which a technical committee has been established has the right to be represented on that committee. International organizations, governmental and non-governmental, in liaison with ISO, also take part in the work.

Draft International Standards adopted by the technical committees are circulated to the member bodies for approval before their acceptance as International Standards by the ISO Council. They are approved in accordance with ISO procedures requiring at least 75 % approval by the member bodies voting.

International Standard ISO 5019/5 was prepared by Technical Committee ISO/TC 33, *Refractories*.

# Refractory bricks — Dimensions — Part 5: Skewbacks

## 1 Scope and field of application

**1.1** This part of ISO 5019 specifies the dimensions of two skewbacks, one for use with bricks of a course height 64 mm and one for use with bricks of a course height 76 mm.

NOTE — It is recognized that there are skewback sizes of North American origin whose dimensions closely approximate to those in figures 1 and 2.

**1.2** These skewbacks are for use in conjunction with the corresponding series of arch bricks whose dimensions are specified in ISO 5019/2.

## 2 Reference

ISO 5019/2, *Refractory bricks — Dimensions — Part 2: Arch bricks.*

## 3 Dimensions

The dimensions of a skewback for use with bricks of a 64 mm course height shall be as shown in figure 1.

The dimensions of a skewback for use with bricks of a 76 mm course height shall be as shown in figure 2.

Adoption of the 76 mm series of bricks is strongly recommended.

## 4 Tolerances

Tolerances on the dimensions specified in figures 1 and 2 shall be the subject of agreement between the purchaser and the supplier.

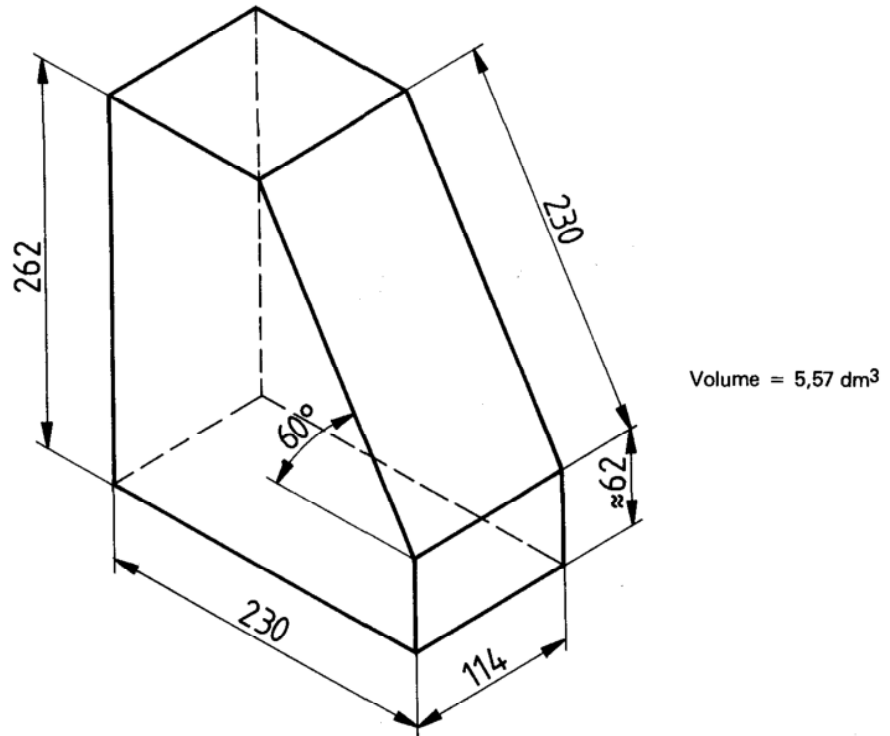


Figure 1 — Skewback for use with bricks of a 64 mm course height

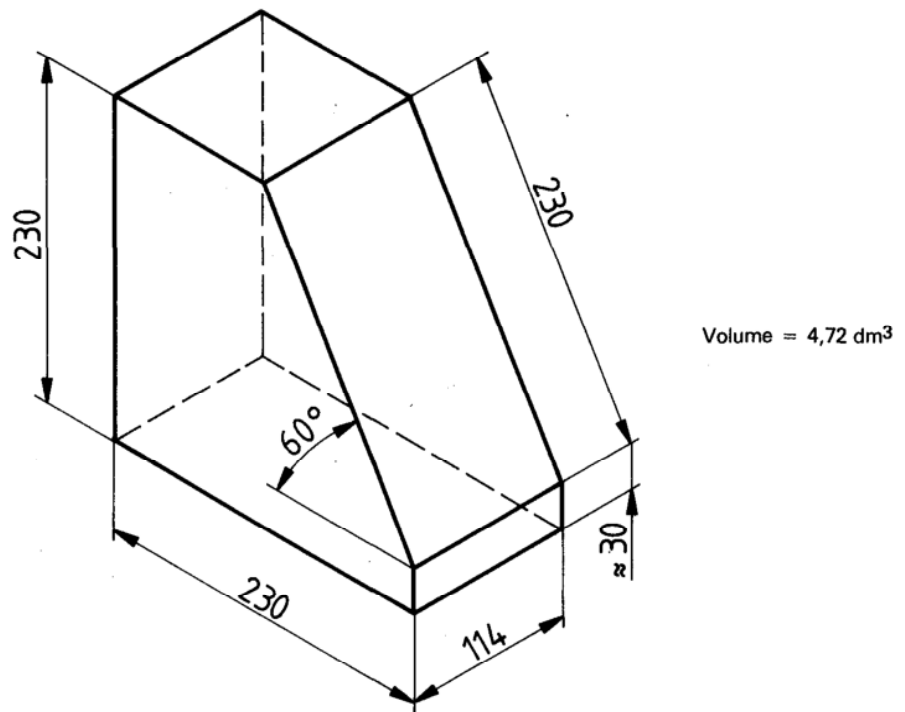


Figure 2 — Skewback for use with bricks of a 76 mm course height