
International Standard



5019/2

INTERNATIONAL ORGANIZATION FOR STANDARDIZATION • МЕЖДУНАРОДНАЯ ОРГАНИЗАЦИЯ ПО СТАНДАРТИЗАЦИИ • ORGANISATION INTERNATIONALE DE NORMALISATION

ANSI Internat Doc Sect

**Refractory bricks — Dimensions —
Part 2 : Arch bricks**

Briques réfractaires — Dimensions — Partie 2 : Briques de voûte

First edition — 1984-11-15

UDC 666.76-43

Ref. No. ISO 5019/2-1984 (E)

Descriptors : refractory materials, bricks, dimensions.

Foreword

ISO (the International Organization for Standardization) is a worldwide federation of national standards bodies (ISO member bodies). The work of preparing International Standards is normally carried out through ISO technical committees. Each member body interested in a subject for which a technical committee has been established has the right to be represented on that committee. International organizations, governmental and non-governmental, in liaison with ISO, also take part in the work.

Draft International Standards adopted by the technical committees are circulated to the member bodies for approval before their acceptance as International Standards by the ISO Council. They are approved in accordance with ISO procedures requiring at least 75 % approval by the member bodies voting.

International Standard ISO 5019/2 was prepared by Technical Committee ISO/TC 33, *Refractories*.

It cancels and replaces ISO Recommendation R 1145-1969, of which it constitutes a technical revision.

Refractory bricks — Dimensions — Part 2 : Arch bricks

0 Introduction

There are two alternative systems in use for the dimensions of refractory arch bricks. One employs a constant median dimension and the other a constant backface dimension.

NOTE — It is recognized that there are arch brick sizes with a constant backface dimension of North American origin whose dimensions closely approximate to those in the table.

1 Scope and field of application

1.1 This part of ISO 5019 specifies the dimensions of two series of refractory arch bricks, each with a constant median dimension and one series of refractory arch bricks with a constant backface dimension.

1.2 These series of bricks may be used in conjunction with the two series of rectangular bricks whose dimensions are specified in ISO 5019/1.

2 Reference

ISO 5019/1, *Refractory bricks — Dimensions — Part 1: Rectangular bricks.*

3 Dimensions

3.1 The dimensions of refractory arch bricks shall be as shown in the table.

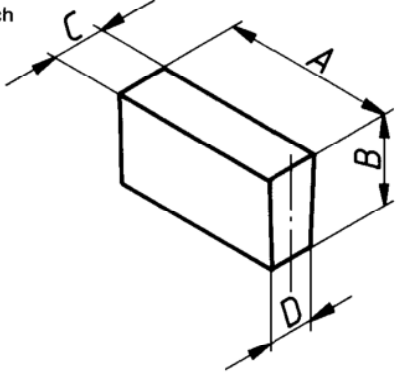
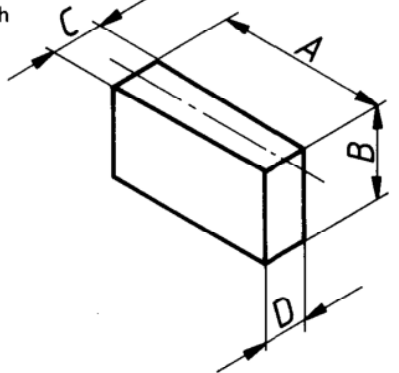
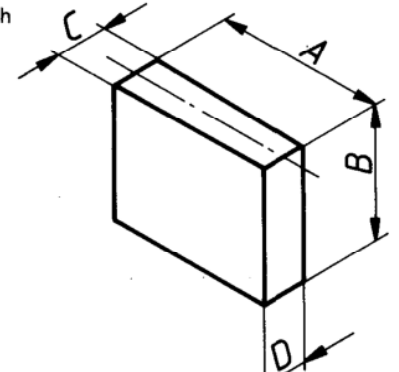
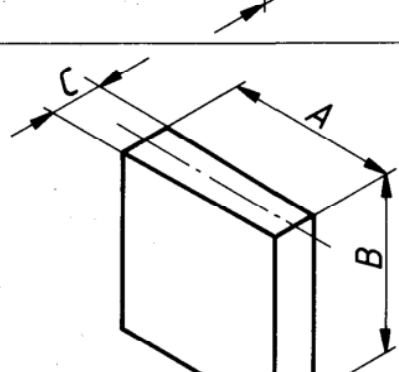
3.2 Adoption of the 76 mm series of bricks is strongly recommended.

4 Tolerances

Tolerances on the dimensions specified in the table shall be the subject of agreement between the purchaser and the supplier.

Table — Dimensions of refractory arch bricks

Dimensions in millimetres

Type of brick ¹⁾	Bricks with a constant median dimension		Bricks with a constant backface dimension
	64 mm series	76 mm series	
Side arch bricks ²⁾ 	$A \quad B \quad C/D$ 230 × 114 × 67/61 230 × 114 × 69/59 230 × 114 × 72/56 230 × 114 × 76/52	$A \quad B \quad C/D$ 230 × 114 × 79/73 230 × 114 × 81/71 230 × 114 × 84/68 230 × 114 × 88/64	$A \quad B \quad C/D$ 230 × 114 × 76/70 230 × 114 × 76/64 230 × 114 × 76/52 230 × 114 × 76/38
End arch bricks ²⁾ 	$A \quad B \quad C/D$ 230 × 114 × 66/62 230 × 114 × 69/59 230 × 114 × 72/56 230 × 114 × 76/52	$A \quad B \quad C/D$ 230 × 114 × 78/74 230 × 114 × 81/71 230 × 114 × 84/68 230 × 114 × 88/64	$A \quad B \quad C/D$ 230 × 114 × 76/70 230 × 114 × 76/64 230 × 114 × 76/57 230 × 114 × 76/52
End arch bonder bricks 	$A \quad B \quad C/D$ 230 × 172 × 66/62 230 × 172 × 69/59 230 × 172 × 72/56 230 × 172 × 76/52	$A \quad B \quad C/D$ 230 × 172 × 78/74 230 × 172 × 81/71 230 × 172 × 84/68 230 × 172 × 88/64	$A \quad B \quad C/D$ 230 × 172 × 76/70 230 × 172 × 76/64 230 × 172 × 76/57 230 × 172 × 76/52
Large arch brick ²⁾ 	$A \quad B \quad C/D$ 230 × 230 × 66/62 230 × 230 × 69/59 230 × 230 × 72/56 230 × 230 × 76/52	$A \quad B \quad C/D$ 230 × 230 × 78/74 230 × 230 × 81/71 230 × 230 × 84/68 230 × 230 × 88/64	$A \quad B \quad C/D$ 230 × 230 × 76/73 230 × 230 × 76/70 230 × 230 × 76/64 230 × 230 × 76/52

1) The letters designating the dimensions relate only to the diagrams in this table.

2) In North America :

- a side arch brick is known as an "arch";
- an end arch brick is known as a "wedge";
- a large end arch brick is known as a "wedge block".