

---

International Standard



5019/1

---

INTERNATIONAL ORGANIZATION FOR STANDARDIZATION • МЕЖДУНАРОДНАЯ ОРГАНИЗАЦИЯ ПО СТАНДАРТИЗАЦИИ • ORGANISATION INTERNATIONALE DE NORMALISATION

---

ГОСТ 10930-84

**Refractory bricks — Dimensions —  
Part 1 : Rectangular bricks**

*Briques réfractaires — Dimensions — Partie 1 : Briques rectangulaires*

First edition — 1984-09-15

---

UDC 666.76.43

Ref. No. ISO 5019/1-1984 (E)

Descriptors : refractory materials, bricks, dimensions.

## Foreword

ISO (the International Organization for Standardization) is a worldwide federation of national standards bodies (ISO member bodies). The work of preparing International Standards is normally carried out through ISO technical committees. Every member body interested in a subject for which a technical committee has been established has the right to be represented on that committee. International organizations, governmental and non-governmental, in liaison with ISO, also take part in the work.

Draft International Standards adopted by the technical committees are circulated to the member bodies for approval before their acceptance as International Standards by the ISO Council. They are approved in accordance with ISO procedures requiring at least 75 % approval by the member bodies voting.

International Standard ISO 5019/1 was prepared by Technical Committee ISO/TC 33, *Refractories*.

It cancels and replaces ISO Recommendation R 475-1966 of which it constitutes a technical revision.

# Refractory bricks — Dimensions — Part 1: Rectangular bricks

## 0 Introduction

It will be evident to all users of this document that the sizes of refractory bricks here listed are only a limited number of the sizes currently in production in many countries; it is believed, however, that the sizes specified in this document include those most commonly used in furnace construction.

NOTE — It is recognized that there are brick sizes of North American origin whose dimensions closely approximate to those in the table.

## 1 Scope and field of application

1.1 This part of ISO 5019 specifies the dimensions of two series of rectangular refractory bricks.

1.2 These two series of bricks may be used in conjunction with the series of arch bricks whose dimensions are specified in ISO 5019/2.

## 2 Reference

ISO 5019/2, *Refractory bricks — Dimensions — Part 2: Arch bricks*.

## 3 Dimensions of rectangular refractory bricks

3.1 The range of rectangular refractory brick sizes is given in the table.

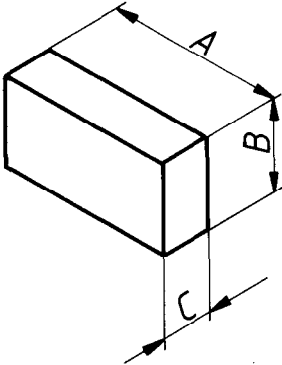
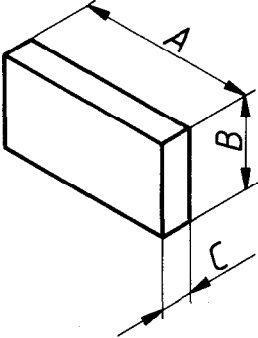
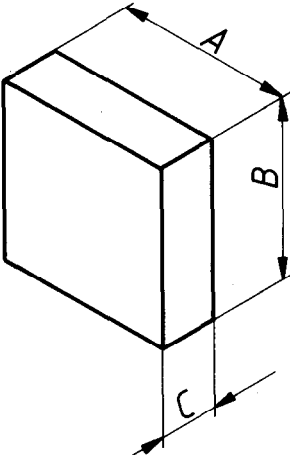
3.2 Adoption of the 76 mm series of bricks is strongly recommended.

## 4 Tolerances

Tolerances on the dimensions specified in the table shall be the subject of agreement between the purchaser and the supplier.

Table — Dimensions of rectangular refractory bricks  
(squares, splits and tiles)

Dimensions in millimetres

Type of brick <sup>1)</sup>	64 mm series	76 mm series
Square <sup>2)</sup> 	$A \quad B \quad C$ $230 \times 114 \times 64$ $230 \times 172 \times 64$ $345 \times 114 \times 64$	$A \quad B \quad C$ $230 \times 114 \times 76$ $230 \times 172 \times 76$ $345 \times 114 \times 76$
Split 	$A \quad B \quad C$ $230 \times 114 \times 32$	$A \quad B \quad C$ $230 \times 114 \times 38$
Tile 	$A \quad B \quad C$ $230 \times 230 \times 64$	$A \quad B \quad C$ $230 \times 230 \times 76$

1) The letters designating the dimensions relate only to the diagrams in this table.  
 2) In North America a square is known as a "straight".

