



INTERNATIONAL STANDARD ISO 4823:2000
TECHNICAL CORRIGENDUM 1

Published 2004-07-15

INTERNATIONAL ORGANIZATION FOR STANDARDIZATION • МЕЖДУНАРОДНАЯ ОРГАНИЗАЦИЯ ПО СТАНДАРТИЗАЦИИ • ORGANISATION INTERNATIONALE DE NORMALISATION

Dentistry — Elastomeric impression materials

TECHNICAL CORRIGENDUM 1

Art dentaire — Produits pour empreintes, à base d'élastomères

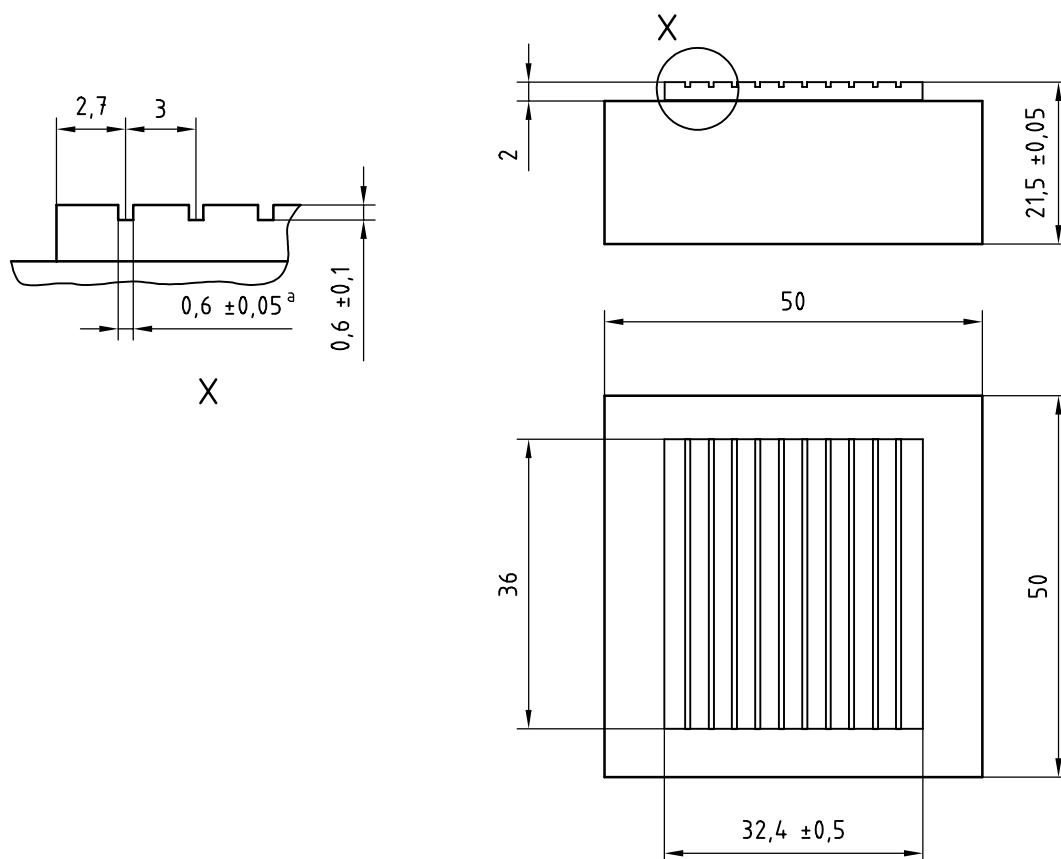
RECTIFICATIF TECHNIQUE 1

Technical Corrigendum 1 to ISO 4823:2000 was prepared by Technical Committee ISO/TC 106, *Dentistry*, Subcommittee SC 2, *Prosthetic materials*.

Page 22

Replace existing Figure 6 with the new Figure 6 shown below, in which the dimension line indicating the height of the test pedestal ($21,5 \text{ mm} \pm 0,05 \text{ mm}$) has been elongated to correctly include the slotted table portion.

Dimensions in millimetres



a Ten slots with centres 3 mm apart.

Figure 6 — Slotted specimen test pedestal — Working-time test instrument