
**Adhesives — Determination of tensile
lap-shear strength of rigid-to-rigid
bonded assemblies**

*Adhésifs — Détermination de la résistance au cisaillement
d'assemblages collés rigide sur rigide à recouvrement simple*



Reference number
ISO 4587:2003(E)

PDF disclaimer

This PDF file may contain embedded typefaces. In accordance with Adobe's licensing policy, this file may be printed or viewed but shall not be edited unless the typefaces which are embedded are licensed to and installed on the computer performing the editing. In downloading this file, parties accept therein the responsibility of not infringing Adobe's licensing policy. The ISO Central Secretariat accepts no liability in this area.

Adobe is a trademark of Adobe Systems Incorporated.

Details of the software products used to create this PDF file can be found in the General Info relative to the file; the PDF-creation parameters were optimized for printing. Every care has been taken to ensure that the file is suitable for use by ISO member bodies. In the unlikely event that a problem relating to it is found, please inform the Central Secretariat at the address given below.

© ISO 2003

All rights reserved. Unless otherwise specified, no part of this publication may be reproduced or utilized in any form or by any means, electronic or mechanical, including photocopying and microfilm, without permission in writing from either ISO at the address below or ISO's member body in the country of the requester.

ISO copyright office
Case postale 56 • CH-1211 Geneva 20
Tel. + 41 22 749 01 11
Fax + 41 22 749 09 47
E-mail copyright@iso.org
Web www.iso.org

Published in Switzerland

Contents

Page

Foreword	iv
1 Scope	1
2 Normative references	1
3 Principle	1
4 Apparatus	1
5 Specimens	2
6 Conditioning	2
7 Procedure	2
8 Expression of results	4
9 Precision	4
10 Test report	4

Foreword

ISO (the International Organization for Standardization) is a worldwide federation of national standards bodies (ISO member bodies). The work of preparing International Standards is normally carried out through ISO technical committees. Each member body interested in a subject for which a technical committee has been established has the right to be represented on that committee. International organizations, governmental and non-governmental, in liaison with ISO, also take part in the work. ISO collaborates closely with the International Electrotechnical Commission (IEC) on all matters of electrotechnical standardization.

International Standards are drafted in accordance with the rules given in the ISO/IEC Directives, Part 2.

The main task of technical committees is to prepare International Standards. Draft International Standards adopted by the technical committees are circulated to the member bodies for voting. Publication as an International Standard requires approval by at least 75 % of the member bodies casting a vote.

Attention is drawn to the possibility that some of the elements of this document may be the subject of patent rights. ISO shall not be held responsible for identifying any or all such patent rights.

ISO 4587 was prepared by Technical Committee ISO/TC 61, *Plastics*, Subcommittee SC 11, *Products*.

This third edition cancels and replaces the second edition (ISO 4587:1995), which has been technically revised.

Adhesives — Determination of tensile lap-shear strength of rigid-to-rigid bonded assemblies

1 Scope

This International Standard specifies a method for determining the tensile lap-shear strength of rigid-to-rigid bonded assemblies using a standard specimen under specified conditions of preparation and testing. This test procedure does not provide design information.

2 Normative references

The following referenced documents are indispensable for the application of this document. For dated references, only the edition cited applies. For undated references, the latest edition of the referenced document (including any amendments) applies.

ISO 291:1997, *Plastics — Standard atmospheres for conditioning and testing*

ISO 527-1:1993, *Plastics — Determination of tensile properties — Part 1: General principles*

ISO 10365:1992, *Adhesives — Designation of main failure patterns*

EN 13887:—¹⁾, *Structural adhesives — Guidelines for surface preparation of metals and plastics prior to adhesive bonding*

3 Principle

Adhesive lap-shear bond strength is determined by stressing a single-overlap joint between rigid adherends in shear by the application of a tensile force parallel to the bond area and to the major axis of the specimen.

NOTE 1 Single-lap specimens are economical, practical and easy to make. They are the most widely used specimens for development, evaluation and comparative studies involving adhesives and bonded products, including manufacturing quality control.

NOTE 2 The strength values obtained from the single-lap specimen should not be used as allowable design-stress values for structural joints.

4 Apparatus

4.1 Tensile-testing machine, selected so that the rupture of the specimen falls between 10 % and 80 % of the full-scale capacity. The response time of the machine shall be short enough so as to enable the force applied at the time of rupture to be measured accurately. The recorded force shall not differ from the true applied force by more than 1 %. The machine shall be capable of maintaining the constant speeds of testing specified in Clause 7 (see ISO 527-1). A machine which allows a constant rate of load application may be

1) To be published.

used. In this case, the machine shall be capable of maintaining a rate of loading of 8,3 MPa/min to 9,7 MPa/min. The machine shall be provided with a suitable pair of self-aligning grips to hold the specimen. The grips and attachments (see Note) shall be constructed so that they move into alignment with the specimen as soon as the load is applied, so that the long axis of the specimen will coincide with the direction of the applied force through the centreline of the grip assembly.

NOTE Grips that operate by bolting through the adherends should be avoided since such grips give rise to undesirable stress concentrations.

5 Specimens

5.1 Specimens shall conform to the form, dimensions and alignment of the adherends as shown in Figure 1. The length of overlap shall be $12,5 \text{ mm} \pm 0,25 \text{ mm}$. The major axis of the specimens shall correspond to the rolling direction in the case of metal adherends.

NOTE 1 The choice of dimensions other than those shown in Figure 1 may result in difficulties in the interpretation of results because they will not permit direct comparison of the strengths of adhesive bonds.

NOTE 2 The use of a jig for accurately locating adherends during bonding is strongly recommended.

5.2 The test joints may be prepared either individually or from panels (see Figure 1). In choosing the type of preparation, account shall also be taken of whether the test joint will be damaged by mechanical working, including overheating. Special care shall be taken in preparing individual specimens to ensure proper alignment and that bond thicknesses are as uniform and constant as possible.

A typical thickness is 0,2 mm. Thicknesses can be controlled by inserting a calibrated wire spacer or small glass spheres in the bond area. If a wire spacer is used, the wire shall lie parallel to the direction of application of the load as this minimizes the effect of the wire on the joint.

5.3 The adherend surface shall be properly treated to obtain an optimum bond. Surface treatments shall be in accordance with manufacturer's instructions or the appropriate standard (EN 13887). The adhesive shall be applied and cured in accordance with the recommendations of the adhesive manufacturer or the applicable material standard. The excess of adhesive squeezed out during the formation of the joint shall be removed immediately after assembling.

For all adherends, the method used for surface preparation shall be reported.

5.4 The number of specimens will depend on the precision required, but reliance should not be placed on fewer than five observations.

5.5 Measure the specimen dimensions to within $\pm 0,1 \text{ mm}$.

6 Conditioning

The specimens shall be conditioned and tested in one of the standard conditioning atmospheres specified in ISO 291.

7 Procedure

Locate the specimen symmetrically in the grips, with each grip $50 \text{ mm} \pm 1 \text{ mm}$ from the nearest edge of the overlap. A shim may be used in the grips so that the applied force will be in the plane of the adhesive bond.

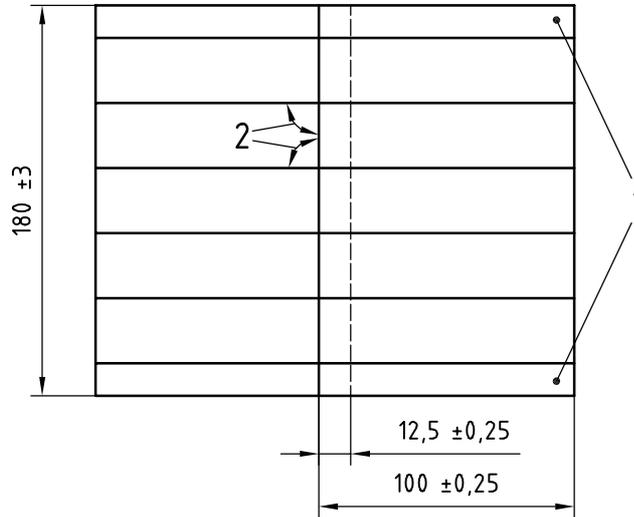
Operate the machine at a constant test speed so that the average joint will be broken in a period of $65 \text{ s} \pm 20 \text{ s}$.

If a machine working at a constant rate of loading is used, apply the shear load at a rate of 8,3 MPa to 9,8 MPa per minute.

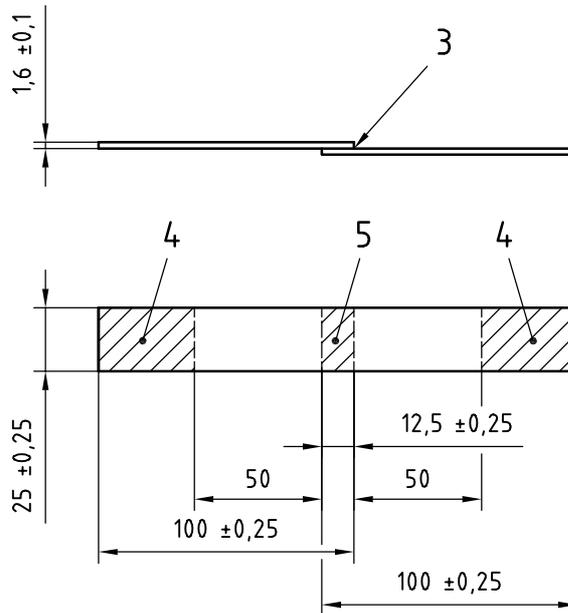
Record the highest force during rupture as the breaking force for that specimen.

Record the type of failure in accordance with ISO 10365.

Dimensions in millimetres



Standard test panel



Key

- 1 discard
- 2 typically $90^\circ \pm 1^\circ$
- 3 adhesive bond
- 4 area held in grips
- 5 shear area

Figure 1 — Shape and dimensions of test panel and specimen

8 Expression of results

Express the results of the tests as the arithmetic mean of the breaking force, in newtons, or the breaking stress, in megapascals, of the valid specimens. The lap shear strength, in megapascals, is calculated by dividing the breaking force, in newtons, by the shear area, in square millimetres.

9 Precision

This test is widely used and accepted. However, the precision is not known because interlaboratory data are not available.

10 Test report

The test report shall include the following information:

- a) a reference to this International Standard;
- b) all details necessary for complete identification of the adhesive tested, including type, source, manufacturer's code number, batch or lot number, form, etc.;
- c) all details necessary for complete identification of the adherends, including the nature of the material and the surface preparation;
- d) a description of the bonding process, including the method of application of the adhesive, drying and precuring conditions (where applicable), curing or setting time, and temperature and pressure for curing or setting;
- e) the average thickness (as precisely as practical) of the adhesive layer after formation of the bond, as well as the method used for controlling the bond thickness;
- f) a complete description of the specimens, including their dimensions and construction, the nominal overlap of the joint, whether the adherends were prepared individually or from panels, if the adherends were prepared from panels the number of panels used, the procedure and conditions used to cut out the adherends and the number of individual specimens tested;
- g) the conditioning parameters prior to testing, and the test atmosphere;
- h) the speed of testing (or the rate of loading in the case of constant rate of load application);
- i) the breaking force or breaking stress for each specimen, the arithmetic mean and the standard deviation;
- j) the type of failure in accordance with ISO 10365;
- k) details of any deviations from the procedure specified and of any incidents that may have affected the results.

ICS 83.180

Price based on 4 pages