
**Thermoplastics pipes, fittings and
assemblies for the conveyance of
fluids — Determination of the resistance
to internal pressure —**

**Part 1:
General method**

*Tubes, raccords et assemblages en matières thermoplastiques pour le
transport des fluides — Détermination de la résistance à la pression
interne —*

Partie 1: Méthode générale



PDF disclaimer

This PDF file may contain embedded typefaces. In accordance with Adobe's licensing policy, this file may be printed or viewed but shall not be edited unless the typefaces which are embedded are licensed to and installed on the computer performing the editing. In downloading this file, parties accept therein the responsibility of not infringing Adobe's licensing policy. The ISO Central Secretariat accepts no liability in this area.

Adobe is a trademark of Adobe Systems Incorporated.

Details of the software products used to create this PDF file can be found in the General Info relative to the file; the PDF-creation parameters were optimized for printing. Every care has been taken to ensure that the file is suitable for use by ISO member bodies. In the unlikely event that a problem relating to it is found, please inform the Central Secretariat at the address given below.

© ISO 2006

All rights reserved. Unless otherwise specified, no part of this publication may be reproduced or utilized in any form or by any means, electronic or mechanical, including photocopying and microfilm, without permission in writing from either ISO at the address below or ISO's member body in the country of the requester.

ISO copyright office
Case postale 56 • CH-1211 Geneva 20
Tel. + 41 22 749 01 11
Fax + 41 22 749 09 47
E-mail copyright@iso.org
Web www.iso.org

Published in Switzerland

Contents

Page

Foreword.....	iv
Introduction	v
1 Scope	1
2 Normative references	1
3 Terms and definitions	1
4 Principle	2
5 Apparatus	2
6 Test pieces	4
6.1 Preparation of test pieces	4
6.2 Number of test pieces	4
7 Calculation of test pressure	4
7.1 General	4
7.2 Pressure calculations based on the measured dimensions of the test piece	5
7.3 Pressure calculations based on the nominal dimensions of the test piece	5
7.4 Pressure calculations based on SDR of pipe(s) of the test piece	5
8 Calibration and accuracy of the apparatus	6
9 Conditioning	6
10 Test procedure	6
11 Test report	7

Foreword

ISO (the International Organization for Standardization) is a worldwide federation of national standards bodies (ISO member bodies). The work of preparing International Standards is normally carried out through ISO technical committees. Each member body interested in a subject for which a technical committee has been established has the right to be represented on that committee. International organizations, governmental and non-governmental, in liaison with ISO, also take part in the work. ISO collaborates closely with the International Electrotechnical Commission (IEC) on all matters of electrotechnical standardization.

International Standards are drafted in accordance with the rules given in the ISO/IEC Directives, Part 2.

The main task of technical committees is to prepare International Standards. Draft International Standards adopted by the technical committees are circulated to the member bodies for voting. Publication as an International Standard requires approval by at least 75 % of the member bodies casting a vote.

Attention is drawn to the possibility that some of the elements of this document may be the subject of patent rights. ISO shall not be held responsible for identifying any or all such patent rights.

ISO 1167-1 was prepared by Technical Committee ISO/TC 138, *Plastics pipes, fittings and valves for the transport of fluids*, Subcommittee SC 5, *General properties of pipes, fittings and valves of plastic materials and their accessories — Test methods and basic specifications*.

This first edition of ISO 1167-1, together with ISO 1167-2, cancels and replaces ISO 1167:1996 and, together with ISO 1167-3, cancels and replaces ISO 12092:2000, of which it constitutes a technical revision.

ISO 1167 consists of the following parts, under the general title *Thermoplastics pipes, fittings and assemblies for the conveyance of fluids — Determination of the resistance to internal pressure*:

- *Part 1: General method*
- *Part 2: Preparation of pipe test pieces*
- *Part 3: Preparation of components*
- *Part 4: Preparation of assemblies*

Introduction

Tests for determining resistance to internal pressure are essential for assessing the properties and durability of thermoplastics piping system parts. In fact, they constitute a basis for determining short-term and long-term characteristics.

Many International Standards contain requirements for the determination of the resistance to pressure of pipes, fittings or assemblies. All these documents describe the equipment for pressurizing the different test pieces considered as well as the testing procedure and the test report.

In order to avoid unnecessary repetition, it is desirable to group together all these documents and to establish one International Standard divided into several parts.

ISO 1167-1 contains a description of the equipment used to pressurize test pieces, the testing procedure to be applied and the test report.

ISO 1167-2, ISO 1167-3 and ISO 1167-4 describe the method of preparation of test pieces corresponding to each case considered: pipes, components or assemblies.

Thermoplastics pipes, fittings and assemblies for the conveyance of fluids — Determination of the resistance to internal pressure —

Part 1: General method

1 Scope

This part of ISO 1167 specifies a general test method for determining the resistance to internal hydrostatic pressure at a given temperature of thermoplastics pipes, fittings and piping systems for the transport of fluids.

The method accommodates water-in-water, water-in-air and water-in-liquid tests.

2 Normative references

The following referenced documents are indispensable for the application of this document. For dated references, only the edition cited applies. For undated references, the latest edition of the referenced document (including any amendments) applies.

ISO 1167-2:2006, *Thermoplastics pipes, fittings and assemblies for the conveyance of fluids — Determination of the resistance to internal pressure — Part 2: Preparation of pipe test pieces*

ISO 1167-3, *Thermoplastics pipes, fittings and assemblies the conveyance of fluids — Determination of the resistance to internal pressure — Part 3: Preparation of components*¹⁾

ISO 1167-4, *Thermoplastics pipes, fittings and assemblies for the conveyance of fluids — Determination of the resistance to internal pressure — Part 4: Preparation of assemblies*¹⁾

ISO 3126, *Plastics piping systems — Plastics components — Determination of dimensions*

ISO 9080, *Plastics piping and ducting systems — Determination of the long-term hydrostatic strength of thermoplastics pipe materials in pipe form by extrapolation*

3 Terms and definitions

For the purposes of this document, the following terms and definitions apply.

3.1

component

fitting or valve, in single or multiple form, that is supplied as an integral unit

3.2

standard dimension ratio

SDR

ratio of the nominal outside diameter d_n of a pipe to its nominal wall thickness e_n

1) To be published.

4 Principle

After conditioning, test pieces are subjected to a specified constant internal hydrostatic pressure for a specified period of time or until a test piece or pieces fail.

Throughout the test, the test pieces are kept in an environment at a specified constant temperature: this is either water ("water-in-water" test), another liquid ("water-in-liquid" test) or air ("water-in-air" test).

The following test parameters shall be specified by the standard or specification making reference to this part of ISO 1167:

- a) the type of end cap to be used (see 5.1 and ISO 1167-2:2006, 4.1);
- b) the test temperature;
- c) for evaluation purposes, the SDR or S-series or size of pipe or fitting to be used;
- d) the number of test pieces;
- e) the test pressure, p , or the circumferential (hoop) stress, σ , to be induced by the test pressure;
- f) the type of test, i.e. "water-in-water", "water-in-liquid" or "water-in-air";
- g) the duration of the test under pressure and the criteria for a failure;
- h) the requirements, or patterns of requirements, if any, which determine the initiation of additional testing.

5 Apparatus

5.1 End caps, fixed to the ends of the test piece. By means of an appropriate system or procedure, end caps shall allow sealing and connection to the pressurizing equipment and shall allow purging of the air before testing.

The end caps shall be one of the following types.

Type A: fittings rigidly connected to the test piece but not to each other, and hence transmitting the hydrostatic end thrust to the test piece, e.g. as shown in Figure 1, or equivalent. They may comprise flanged plates on the ends of a large diameter pipe, optionally fused when flanges, caps, plugs or plates are of a compatible material to the test pieces.

Type B: sockets, made of metal, fitted with joints ensuring sealing onto the external surface of the test piece and connected to one another, and hence not transmitting the hydrostatic end thrust to the test piece. They may comprise one or more metal rods, see Figure 1, allowing sufficient longitudinal movement at the ends of the test pieces, to avoid buckling due to thermal expansion. If external rods are used, contact of the outside surface of the test piece with one or several rods shall be avoided during the test. In this case, the test shall be disregarded.

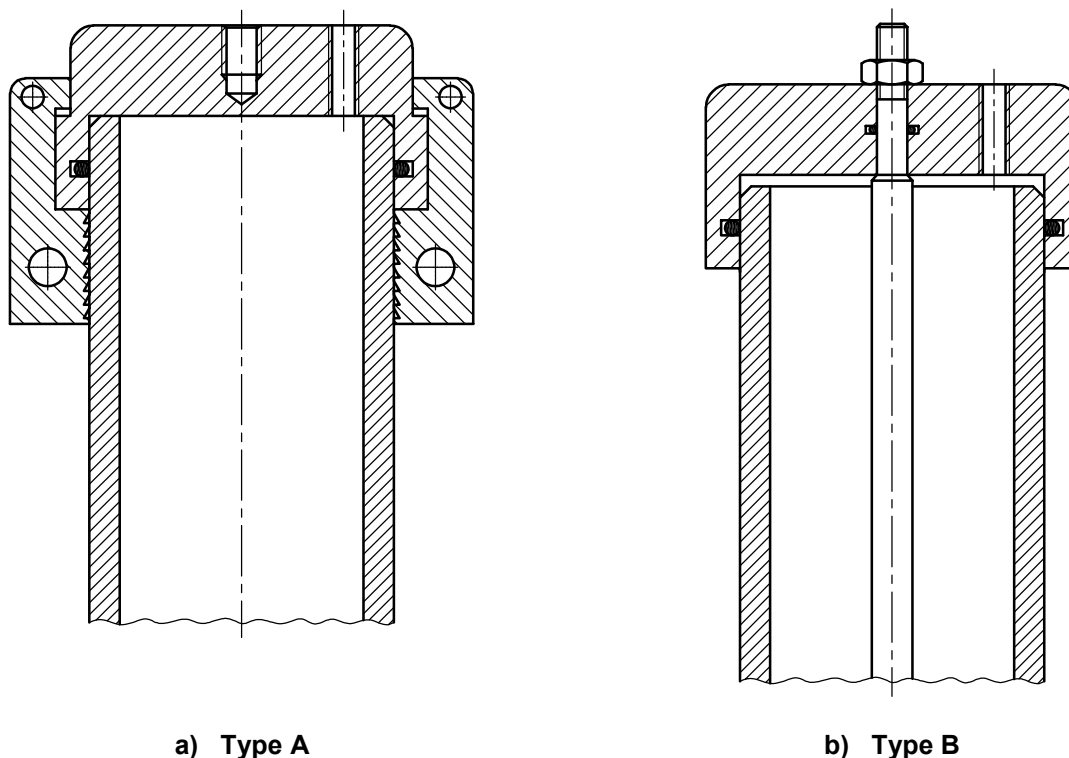
Other than toothed grips, any sharp edges which would come into contact with the outside surface of the pipe shall be rounded off.

The constituent material of the end cap might have an adverse effect on the test piece under test and such materials should therefore be avoided as far as possible.

For testing of components, the end caps shall be replaced by pressure-tight devices as specified in ISO 1167-3.

End caps of type A shall be used for determination of the long-term hydrostatic strength of materials in accordance with ISO 9080.

NOTE It is recognized that times to failure can be different depending upon the type of end caps used.



a) Type A

b) Type B

Figure 1 — Examples of end caps for internal pressure testing

5.2 Tank, filled with water or other liquid, kept at a constant temperature as specified in the referring standard to within ± 1 °C, or **oven**, the temperature of which shall be kept at the specified value to within ± 1 °C.

When an environment other than water is used, necessary precautions shall be taken, in particular those concerning safety and any interaction between liquid and the material(s) of the test piece.

When environments other than water are used, tests which are intended to be comparative shall be carried out in the same environment.

As the results are strongly influenced by temperature, the tolerance on temperature should be kept as small as possible within the specified limits e.g. by using forced circulation of the fluid.

When testing in air, the pipe surface temperature should be checked in addition to the air.

Potable water should be used and it is necessary to avoid contamination of the water by any substance likely to affect the results, e.g. detergents, lubricants.

5.3 Support or hangers, enabling test pieces to be placed in the tank or oven (5.2) such that contact between them or with the sidewalls of the tank/oven is avoided as far as possible so as not to influence the test results.

5.4 Pressurizing equipment, capable of applying the required pressure gradually and smoothly in accordance with Clause 9 and then of keeping this indicated (or measured) pressure to within ± 1 % for the duration of the test.

As the results are strongly influenced by pressure, the tolerance on pressure should be kept as small as possible within the specified limits.

The pressure should preferably be applied individually to each test piece. However, the use of equipment enabling the pressure to be applied simultaneously to several test pieces is also permitted if there is no

danger of interference when failure occurs (e.g. by the use of an isolation valve or a test based on the first failure in a batch).

To maintain the pressure within the specified tolerance, a system should be introduced which automatically controls the pressure within this specified tolerance (e.g. due to expansion of the test piece).

5.5 Pressure measurement devices, capable of checking conformity to the specified test pressure. The range of the gauge shall be such that the required pressure setting shall lie within the calibrated range of the device used (see Clause 7).

The pressure measurement devices shall not contaminate the test fluid.

In case of dispute, the reference level of the pressure device shall be equal to the water level in the tank.

Master gauges for calibration of the apparatus should be used.

It is recommended to use equipment which is capable of stopping the timer (5.8) in event of failure or leakage and closing the pressure circuit to the test piece concerned.

5.6 Dimension measuring equipment, conforming to ISO 3126.

5.7 Temperature measuring equipment, capable of checking conformity to the specified test temperature (see 5.2).

5.8 Timer, capable of recording the duration of the pressure applications up to the moment of failure or leakage, to within 0,5 % of the expected testing time.

6 Test pieces

6.1 Preparation of test pieces

The preparation of test pieces shall conform to ISO 1167-2, ISO 1167-3 or ISO 1167-4, as applicable.

Measure and record test piece component parameters, e.g. preparation conditions, dimensions, as necessary.

6.2 Number of test pieces

Prepare a minimum of three test pieces unless otherwise specified in the referring standard or specification.

7 Calculation of test pressure

7.1 General

For material testing, the test pressure shall be calculated from a given circumferential hoop stress and based on the measured dimensions of the test piece, see 7.2.

For pipe testing, the test pressure shall be calculated from a given circumferential hoop stress and using one of the following options, given by the referring standard or specification:

- a) based on the measured dimensions of the test piece, see 7.2;
- b) based on the nominal dimensions of the test piece, see 7.3.

For testing of components, the test pressure shall be as given in the referring standard.

For testing of assemblies, the test pressure shall be calculated from a given circumferential hoop stress and based on the SDR of the pipe(s) used for the test piece, see 7.4, unless a test pressure is specified by the referring standard or specification.

7.2 Pressure calculations based on the measured dimensions of the test piece

Calculate the test pressure, p , in bar²⁾, to three significant figures, using the following equation:

$$p = 10 \sigma \frac{2e_{\min}}{d_{\text{em}} - e_{\min}}$$

where

σ is the hoop stress to be induced by the applied pressure, in megapascals;

d_{em} is the mean outside diameter of the test piece, in millimetres;

e_{\min} is the minimum wall thickness of the free length of the test piece, in millimetres.

NOTE The factor 10 results from the ratio between megapascals and bar.

7.3 Pressure calculations based on the nominal dimensions of the test piece

Calculate the test pressure, p , in bar²⁾, to three significant figures, using the following equation:

$$p = 10 \sigma \frac{2e_{\text{n}}}{d_{\text{n}} - e_{\text{n}}}$$

where

σ is the hoop stress to be induced by the applied pressure, in megapascals;

d_{n} is the nominal outside diameter of the test piece, in millimetres;

e_{n} is the nominal wall thickness of the free length of the test piece, in millimetres.

NOTE The factor 10 results from the ratio between megapascals and bar.

7.4 Pressure calculations based on SDR of pipe(s) of the test piece

Calculate the test pressure, p , in bar²⁾, to three significant figures, using the following equation:

$$p = \frac{2(10\sigma)}{[\text{SDR}] - 1}$$

where

σ is the hoop stress to be induced by the applied pressure, in megapascals;

[SDR] is the standard dimension ratio of the pipe(s) of the test piece.

NOTE The factor 10 results from the ratio between megapascals and bar.

2) 1 bar = 0,1 MPa = 10⁵ Pa; 1 MPa = 1 N/mm².

8 Calibration and accuracy of the apparatus

The temperature and pressure control systems and the equipment for measuring temperature, pressure and time shall be capable of maintaining the values within the specified limits and shall be calibrated.

The accuracy of the apparatus shall be considered such that the requirements for temperature, pressure and time are fulfilled.

9 Conditioning

Prepare the test pieces, removing any traces of dirt, oil, wax or other contamination, and fit them with the end caps (5.1) specified for the test.

Measure and record the free length of the pipes of the test piece l_0 , as appropriate.

Fill the test pieces with water, which may be preheated to a temperature not more than the test temperature.

After filling the test pieces, immerse them in a water bath or place them in an oven at the temperature specified by the referring standard and condition for a period in accordance with Table 1. When conditioning at temperatures in excess of 100 °C sufficient pressure shall be applied to prevent boiling.

Table 1 — Conditioning periods

Thickness e_{\min} mm	Minimum conditioning period h
$e_{\min} < 3$	1
$3 \leq e_{\min} < 8$	3
$8 \leq e_{\min} < 16$	6
$16 \leq e_{\min} < 32$	10
$32 \leq e_{\min}$	16

NOTE It is recognized that extended conditioning periods beyond those specified in Table 1 could influence the test results.

Record the actual conditioning time.

The test pieces shall not be tested within the period of time after their manufacture specified in the referring standard. Otherwise, a minimum period of 24 h after production shall be observed.

10 Test procedure

10.1 Select the type of test, i.e. “water-in-water”, “water-in-air”, or “water-in-liquid”, as specified by the referring standard or specification.

Measure and record the time taken to pressurize the test piece as follows.

Connect the test pieces to the pressurizing equipment (5.4) and bleed off the air. After conditioning, progressively and smoothly apply the test pressure as calculated in Clause 7, in the shortest time practicable between 30 s and 1 h depending upon the material, the size of the test piece and the capability of the pressurizing equipment.

When the test pressure is achieved, record the time or reset the timer as necessary to begin to measure the period for which the specified pressure is maintained in the test piece(s).

10.2 Keep the test piece suspended in the thermally controlled environment. Maintain a constant temperature (see the referring standard or specification) and observe the temperature tolerances specified in 5.2 until testing ceases in accordance with 10.3 or 10.4 as applicable.

10.3 The test is terminated either when the specified duration is reached, or when a failure or leak occurs in the test piece, in which case record the time to failure, unless the procedure given in 10.4 is applicable.

If a failure occurs, record the type, i.e. brittle, or ductile, or other.

NOTE Failure is "brittle" if no visible yield deformation has occurred in the failure zone. If the failure is accompanied by a yield deformation in the failure zone, visible without magnification, it is of the "ductile" type. For some materials, brittle failure could be indicated by weeping at the pipe surface.

In the event of equipment failure, tests which have been ongoing for a period of 500 h to 1 000 h may be continued providing the equipment is reinstated within one day. For tests which have been ongoing for a period of more than 1 000 h, the test may be continued, provided the equipment is reinstated within three days. The time during which the equipment is not able to function normally shall not be included in the test time. Test interruptions shall be recorded in the test report.

10.4 If a break occurs in the test piece at a distance of less than $0,1 l_0$ from an end cap, disregard the result and repeat the test using another test piece [l_0 is the free length of the pipe(s) of the test piece, see ISO 1167-2 or ISO 1167-4].

When testing components, if there is a leakage outside of the component itself (failure of the seal or bursting of the pipe), or any failure associated with grooves machined and indicative of inappropriate groove design and/or machining conditions, repeat the test — if necessary using other components — such that the assembly remains watertight for the minimum period required for the test.

11 Test report

The test report shall include the following information:

- a) a reference to this and other relevant parts of ISO 1167;
- b) the complete identification of the sample;
- c) type of the material or materials of each component of the test piece;
- d) the nominal dimension of each component of the test piece;
- e) the measured dimensions, e.g. minimum wall thickness, of each component of the test piece and free length of the pipe(s), as appropriate;
- f) the conditions of preparation of test pieces (e.g. conditions of fusion); for injection-moulded test pieces: details of any conditioning of the material before moulding, of the injection-moulding machine used and of the moulding conditions, as appropriate;
- g) the test temperature and accuracy of its measurement;
- h) the stress applied and/or the applied test pressure;
- i) the nature of the environment (air, water or liquid and, in the case of the latter, the liquid used);
- j) the type of end cap (see 5.1) and, in the case of components, the type of pressure-tight device;

ISO 1167-1:2006(E)

- k) the number of test pieces tested;
- l) the conditioning time (see Clause 9) and, if required, the time taken to pressurize the test piece (see 10.1);
- m) the test duration at the test pressure (see 10.1 and 10.3);
- n) in the event of failure, the type of failure;
- o) the observations made during and after the test;
- p) any factors that could have affected the results, such as any incidents, test interruptions or any operating details not specified in this part of ISO 1167;
- q) identification of the test unit;
- r) the date of the test or dates between which the test was conducted.

ICS 23.040.20; 23.040.45

Price based on 8 pages