

INTERNATIONAL
STANDARD

ISO
491

Sixth edition
2002-08-01

**Cinematography — 35 mm motion-picture
film and magnetic film — Cutting and
perforating dimensions**

*Cinématographie — Film cinématographique et magnétique de 35 mm —
Dimensions de coupe et de perforation*



Reference number
ISO 491:2002(E)

© ISO 2002

PDF disclaimer

This PDF file may contain embedded typefaces. In accordance with Adobe's licensing policy, this file may be printed or viewed but shall not be edited unless the typefaces which are embedded are licensed to and installed on the computer performing the editing. In downloading this file, parties accept therein the responsibility of not infringing Adobe's licensing policy. The ISO Central Secretariat accepts no liability in this area.

Adobe is a trademark of Adobe Systems Incorporated.

Details of the software products used to create this PDF file can be found in the General Info relative to the file; the PDF-creation parameters were optimized for printing. Every care has been taken to ensure that the file is suitable for use by ISO member bodies. In the unlikely event that a problem relating to it is found, please inform the Central Secretariat at the address given below.

© ISO 2002

All rights reserved. Unless otherwise specified, no part of this publication may be reproduced or utilized in any form or by any means, electronic or mechanical, including photocopying and microfilm, without permission in writing from either ISO at the address below or ISO's member body in the country of the requester.

ISO copyright office
Case postale 56 • CH-1211 Geneva 20
Tel. + 41 22 749 01 11
Fax + 41 22 749 09 47
E-mail copyright@iso.ch
Web www.iso.ch

Printed in Switzerland

Foreword

ISO (the International Organization for Standardization) is a worldwide federation of national standards bodies (ISO member bodies). The work of preparing International Standards is normally carried out through ISO technical committees. Each member body interested in a subject for which a technical committee has been established has the right to be represented on that committee. International organizations, governmental and non-governmental, in liaison with ISO, also take part in the work. ISO collaborates closely with the International Electrotechnical Commission (IEC) on all matters of electrotechnical standardization.

International Standards are drafted in accordance with the rules given in the ISO/IEC Directives, Part 3.

The main task of technical committees is to prepare International Standards. Draft International Standards adopted by the technical committees are circulated to the member bodies for voting. Publication as an International Standard requires approval by at least 75 % of the member bodies casting a vote.

Attention is drawn to the possibility that some of the elements of this International Standard may be the subject of patent rights. ISO shall not be held responsible for identifying any or all such patent rights.

ISO 491 was prepared by Technical Committee ISO/TC 36, *Cinematography*.

This sixth edition cancels and replaces the fifth edition (ISO 491:1995), which has been technically revised.

Annex A forms a normative part of this International Standard. Annex B is for information only.

1
2
3
4
5
6
7
8
9
10
11
12
13
14
15
16
17
18
19
20
21
22
23
24
25
26
27
28
29
30
31
32
33
34
35
36
37
38
39
40
41
42
43
44
45
46
47
48
49
50
51
52
53
54
55
56
57
58
59
60
61
62
63
64
65
66
67
68
69
70
71
72
73
74
75
76
77
78
79
80
81
82
83
84
85
86
87
88
89
90
91
92
93
94
95
96
97
98
99
100

Cinematography — 35 mm motion-picture film and magnetic film — Cutting and perforating dimensions

1 Scope

This International Standard specifies the cutting and perforating dimensions for 35 mm unexposed motion-picture film and 35 mm magnetic film, and the types of perforations used.

2 Normative references

The following normative documents contain provisions which, through reference in this text, constitute provisions of this International Standard. For dated references, subsequent amendments to, or revisions of, any of these publications do not apply. However, parties to agreements based on this International Standard are encouraged to investigate the possibility of applying the most recent editions of the normative documents indicated below. For undated references, the latest edition of the normative document referred to applies. Members of ISO and IEC maintain registers of currently valid International Standards.

ISO 554:1976, *Standard atmospheres for conditioning and/or testing — Specifications*

ISO 18906:2000, *Imaging materials — Photographic films — Specifications for safety film*

3 Conditions for the measurement of dimensions

The dimensions and tolerances specified in this International Standard apply at the time of manufacture, measured under atmospheric conditions of $(23 \pm 1)^\circ\text{C}$ and $(50 \pm 5)\%$ relative humidity, as specified in ISO 554¹⁾. A manufacturer may indicate other nominal temperatures and humidity under which dimensions apply.

4 Dimensions

4.1 Dimensions of motion-picture film

The dimensions shall be as shown in Figures 1 and 2 and given in Table 1. They apply to unexposed motion-picture and magnetic film which conform to ISO 18906. These specifications apply at the time of cutting and perforating.

4.2 Dimensions of magnetic film

With regard to 35 mm magnetic films, the dimensions which apply are those specified in Table 1 under the designation "Type P" with a perforation pitch B and the length of any 100 consecutive intervals L .

1) All measuring instrument calibrations should be referred to a temperature of 20°C (as specified in [1]) and a relative humidity of 50 %.

Table 1

Dimensions in millimetres

Dimension	Type P	Type N	Type DH
<i>A</i>	$34,975 \pm 0,025$	$34,975 \pm 0,025$	$34,975 \pm 0,025$
<i>B</i>	$4,75 \pm 0,01$	$4,75 \pm 0,01$	$4,75 \pm 0,01$
<i>B'</i>	$4,74 \pm 0,01$	$4,74 \pm 0,01$	—
<i>C</i>	$2,794 \pm 0,010$	$2,794 \pm 0,010$	$2,794 \pm 0,010$
<i>D</i>	$1,981 \pm 0,010$	$1,854 \pm 0,010$	$1,854 \pm 0,010$
<i>E</i>	$2,01 \pm 0,05$	$2,01 \pm 0,05$	$2,01 \pm 0,05$
<i>F</i>	$28,17 \pm 0,03$	$28,17 \pm 0,03$	$28,17 \pm 0,03$
<i>G</i>	0,025 max.	0,025 max.	0,025 max.
<i>H</i>	—	2,08 nom.	—
<i>R</i>	$0,50 \pm 0,03$	0,13 max.	$0,33 \pm 0,03$
<i>L</i>	$475,00 \pm 0,38$	$475,00 \pm 0,38$	$475,00 \pm 0,38$
<i>L'</i>	$474,00 \pm 0,38$	$474,00 \pm 0,38$	—

NOTE 1 While current usage is that type N perforations may be used for camera and intermediate films and type P perforations for print films, the long-term objective should be for all 35 mm films to have type P perforations.

NOTE 2 Dimensions *L* and *L'* represent the length of any 100 consecutive perforation intervals.

NOTE 3 Dimensions *B'* and *L'* (short perforation pitch) are provided to fulfil the requirements of continuous sprocket contact printing.

NOTE 4 See annex A for full information concerning the same dimensions expressed in inches.

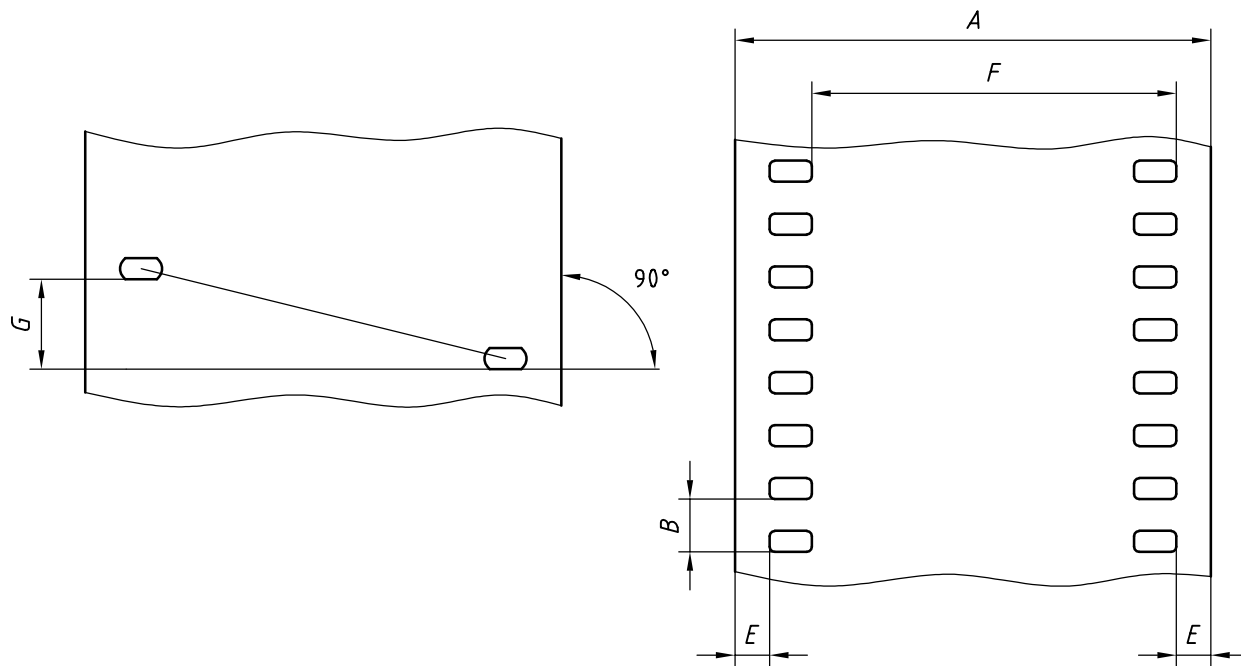


Figure 1 — Dimensions of 35 mm motion-picture film

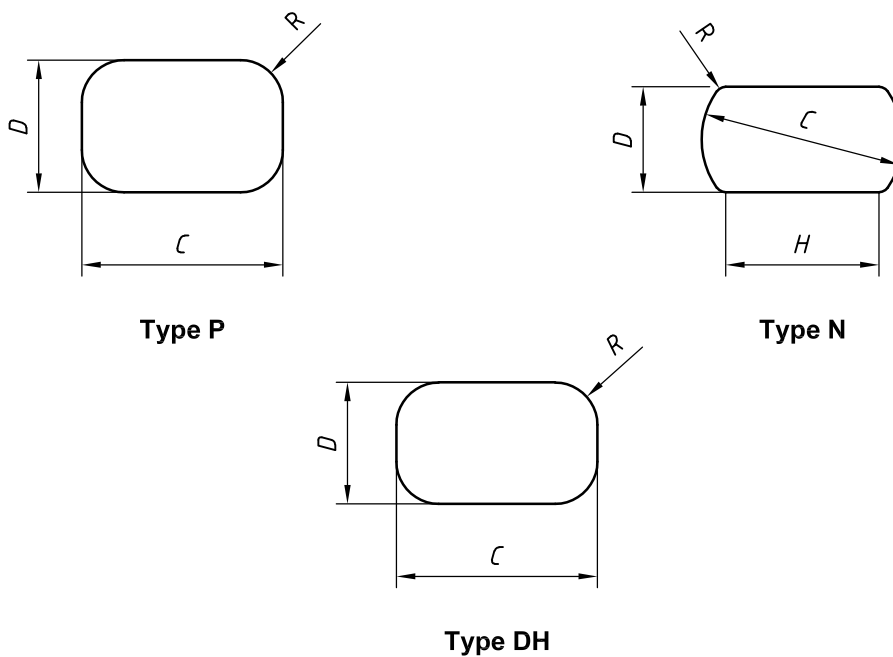


Figure 2 — Types of perforation

Annex A (normative)

Dimensions in inches

The same dimensions as those in Table 1 can be expressed in inch units. These dimensions shall be as shown in Table A.1.

Table A.1

Dimensions in inches

Dimension	Type P	Type N	Type DH
<i>A</i>	$1,377 \pm 0,001$	$1,377 \pm 0,001$	$1,377 \pm 0,001$
<i>B</i>	$0,187\ 0 \pm 0,000\ 4$	$0,187\ 0 \pm 0,000\ 4$	$0,187\ 0 \pm 0,000\ 4$
<i>B'</i>	$0,186\ 6 \pm 0,000\ 4$	$0,186\ 6 \pm 0,000\ 4$	—
<i>C</i>	$0,110\ 0 \pm 0,000\ 4$	$0,110\ 0 \pm 0,000\ 4$	$0,110\ 0 \pm 0,000\ 4$
<i>D</i>	$0,078\ 0 \pm 0,000\ 4$	$0,073\ 0 \pm 0,000\ 4$	$0,073\ 0 \pm 0,000\ 4$
<i>E</i>	$0,079 \pm 0,002$	$0,079 \pm 0,002$	$0,079 \pm 0,002$
<i>F</i>	$1,109 \pm 0,001$	$1,109 \pm 0,001$	$1,109 \pm 0,001$
<i>G</i>	0,001 max.	0,001 max.	0,001 max.
<i>H</i>	—	0,082 nom.	—
<i>R</i>	$0,020 \pm 0,001$	0,005 max.	$0,013 \pm 0,001$
<i>L</i>	$18,700 \pm 0,015$	$18,700 \pm 0,015$	$18,700 \pm 0,015$
<i>L'</i>	$18,660 \pm 0,015$	$18,660 \pm 0,015$	—
NOTE	The notes to Table 1 apply.		

Annex B (informative)

Additional data

B.1 Uniformity of perforating

The uniformity of pitch, hole size and margin (dimensions B or B' , C , D and E) are important variables affecting image steadiness. Variations in these dimensions within a roll from one perforation to the next are more significant than variations from roll to roll. In fact, it is the maximum variation from one set of four perforations to the next within any small group of consecutive perforations that is the most important variable.

B.2 Dimensional stability

During its life, film can shrink or swell due to changes in temperature or to loss or gain in moisture content. In addition, triacetate-based film can shrink due to the loss of solvents or plasticizers. These changes may result in changes in the dimensions. The change is generally uniform through the roll.

B.3 Definition of low-shrinkage film

Low-shrinkage film is film which shrinks no more than 0,2 % from its original dimensions at the time of cutting and perforating, after the film has been:

- a) kept in the manufacturer's normal commercial packing for six months at recommended storage conditions;
- b) exposed;
- c) processed and dried as recommended by the manufacturer;
- d) stored in roll form, exposed to air, for a period not exceeding 30 d at 18 °C to 24 °C and 50 % to 60 % relative humidity.

The film is measured under the same conditions of temperature and humidity as defined in clause 3.

B.4 Choice of longitudinal pitch

The choice of different pitch (B : long pitch, and B' : short pitch), for original and print motion-picture films, depends on the necessity of printing and the type of printer used. In the most common type of printer, the original and print films move continuously over a printing sprocket. Consequently, the original film must be shorter in pitch than the print film in the approximate proportion of the thickness of the film to the radius of curvature of the printing sprocket. With current printing sprocket design, the value for this pitch differential is 0,3 %, with experience showing that a tolerance of $\pm 0,1$ % is acceptable.

With "low-shrinkage" film base, it is common manufacturing practice to set the aim for the pitch of original films at a value of 0,2 % shorter than that of the films on which they will be printed. The additional shrinkage that occurs in the original film, because of processing and ageing before printing, should result in the desired $(0,3 \pm 0,1)$ % shorter pitch.

B.5 Effect of humidity

It is a common tendency of the film to expand when exposed to high relative humidity. Allowance should be made for this factor in equipment design.

.....

Bibliography

- [1] ISO 1, *Geometrical Product Specifications (GPS) — Standard reference temperature for geometrical product specifications*

ISO 491:2002(E)

ICS 37.060.20

Price based on 7 pages

© ISO 2002 – All rights reserved