
International Standard**342**

INTERNATIONAL ORGANIZATION FOR STANDARDIZATION • МЕЖДУНАРОДНАЯ ОРГАНИЗАЦИЯ ПО СТАНДАРТИЗАЦИИ • ORGANISATION INTERNATIONALE DE NORMALISATION

**Textile machinery and accessories — Worsted
and woollen cards — Width of cylinder
and width on the wire**

Matériel pour l'industrie textile — Cardes pour laine peignée et cardée — Largeurs de tambours et de garnissage

Second edition — 1983-12-01

UDC 667.051.17**Ref. No. ISO 342-1983 (E)**

Descriptors : textile machinery, cards (machines), width, wool.

Price based on 1 page

Foreword

ISO (the International Organization for Standardization) is a worldwide federation of national standards bodies (ISO member bodies). The work of developing International Standards is carried out through ISO technical committees. Every member body interested in a subject for which a technical committee has been authorized has the right to be represented on that committee. International organizations, governmental and non-governmental, in liaison with ISO, also take part in the work.

Draft International Standards adopted by the technical committees are circulated to the member bodies for approval before their acceptance as International Standards by the ISO Council.

International Standard ISO 342 was developed by Technical Committee ISO/TC 72, *Textile machinery and allied machinery and accessories*, and was circulated to the member bodies in December 1982.

It has been approved by the member bodies of the following countries :

Belgium	India	Switzerland
Bulgaria	Italy	Turkey
China	Japan	United Kingdom
Czechoslovakia	Korea, Rep. of	USSR
Egypt, Arab Rep. of	Romania	Yugoslavia
France	South Africa, Rep. of	
Germany, F. R.	Spain	

The member body of the following country expressed disapproval of the document on technical grounds :

Poland

This second edition cancels and replaces the first edition (i.e. ISO 342-1976).

Textile machinery and accessories — Worsted and woollen cards — Width of cylinder and width on the wire

1. Scope and field of application

This International Standard defines the width of cylinder and the width on the wire of worsted and woollen cards.

It also specifies a range of preferred values for these widths of cylinder on worsted and woollen cards.

2. Reference

ISO 6171, *Textile machinery and accessories — Bead wires and corresponding grooves for cards — Main types and dimensions.*

3. Definitions and symbols

W = cylinder width (width of main element of cards)

A = width on the wire

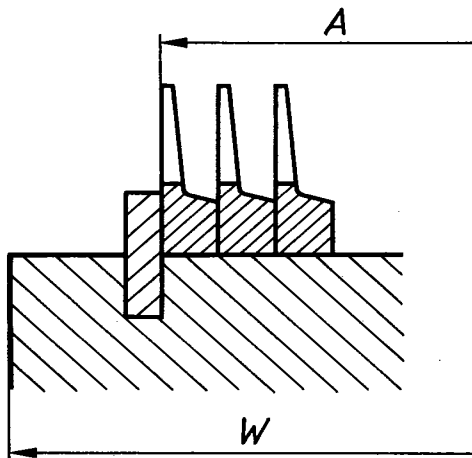


Figure 1 — Example of application with I type of bead wire

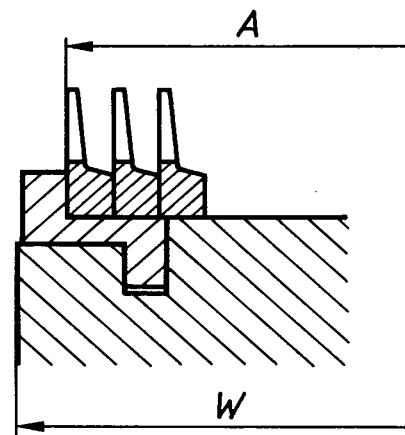


Figure 2 — Example of application with Z type of bead wire

4. Dimensions

The range of preferred values specified for cylinder widths for worsted and carded wool is given in the table.

Table — Recommended values for cylinder widths

Values in millimetres

W	2 000	2 200	2 500	2 800	3 000	3 500
Worsted card	x	x	x	—	—	—
Woollen card	—	—	x	x	x	x