

PD ISO/TS 19072-3:2012



BSI Standards Publication

Road vehicles — Connection interface for pyrotechnic devices, two-way and three-way connections

Part 3: Pyrotechnic device and harness connector assembly — type 1

bsi.

...making excellence a habit.™

National foreword

This Published Document is the UK implementation of ISO/TS 19072-3:2012. It supersedes DD ISO/TS 19072-3:2008 which is withdrawn.

The UK participation in its preparation was entrusted to Technical Committee AUE/16, Electrical and electronic equipment.

A list of organizations represented on this committee can be obtained on request to its secretary.

This publication does not purport to include all the necessary provisions of a contract. Users are responsible for its correct application.

© The British Standards Institution 2012

Published by BSI Standards Limited 2012

ISBN 978 0 580 68908 6

ICS 43.040.10

Compliance with a British Standard cannot confer immunity from legal obligations.

This Published Document was published under the authority of the Standards Policy and Strategy Committee on 31 March 2012.

Amendments issued since publication

Amd. No.	Date	Text affected
-----------------	-------------	----------------------

TECHNICAL SPECIFICATION

ISO/TS 19072-3

Second edition
2012-02-15

Road vehicles — Connection interface for pyrotechnic devices, two-way and three- way connections —

Part 3: Pyrotechnic device and harness connector assembly - type 1

*Véhicules routiers — Interface de raccordement pour dispositifs
pyrotechniques, deux voies et trois voies —*

*Partie 3: Assemblage du dispositif pyrotechnique et du connecteur
faisceau - type 1*



Reference number
ISO/TS 19072-3:2012(E)

© ISO 2012



COPYRIGHT PROTECTED DOCUMENT

© ISO 2012

All rights reserved. Unless otherwise specified, no part of this publication may be reproduced or utilized in any form or by any means, electronic or mechanical, including photocopying and microfilm, without permission in writing from either ISO at the address below or ISO's member body in the country of the requester.

ISO copyright office
Case postale 56 • CH-1211 Geneva 20
Tel. + 41 22 749 01 11
Fax + 41 22 749 09 47
E-mail copyright@iso.org
Web www.iso.org

Published in Switzerland

Foreword

ISO (the International Organization for Standardization) is a worldwide federation of national standards bodies (ISO member bodies). The work of preparing International Standards is normally carried out through ISO technical committees. Each member body interested in a subject for which a technical committee has been established has the right to be represented on that committee. International organizations, governmental and non-governmental, in liaison with ISO, also take part in the work. ISO collaborates closely with the International Electrotechnical Commission (IEC) on all matters of electrotechnical standardization.

International Standards are drafted in accordance with the rules given in the ISO/IEC Directives, Part 2.

The main task of technical committees is to prepare International Standards. Draft International Standards adopted by the technical committees are circulated to the member bodies for voting. Publication as an International Standard requires approval by at least 75 % of the member bodies casting a vote.

In other circumstances, particularly when there is an urgent market requirement for such documents, a technical committee may decide to publish other types of document:

- an ISO Publicly Available Specification (ISO/PAS) represents an agreement between technical experts in an ISO working group and is accepted for publication if it is approved by more than 50 % of the members of the parent committee casting a vote;
- an ISO Technical Specification (ISO/TS) represents an agreement between the members of a technical committee and is accepted for publication if it is approved by 2/3 of the members of the committee casting a vote.

An ISO/PAS or ISO/TS is reviewed after three years in order to decide whether it will be confirmed for a further three years, revised to become an International Standard, or withdrawn. If the ISO/PAS or ISO/TS is confirmed, it is reviewed again after a further three years, at which time it must either be transformed into an International Standard or be withdrawn.

ISO/TS 19072-3 was prepared by Technical Committee ISO/TC 22, *Road vehicles*, Subcommittee SC 3, *Electrical and electronic equipment*.

This second edition cancels and replaces the first edition (ISO/TS 19072-3:2008), which has been technically revised.

ISO 19072 consists of the following parts, under the general title *Road vehicles — Connection interface for pyrotechnic devices, two-way and three-way connections*:

- *Part 1: Pocket interface definition*
- *Part 2: Test methods and general performance requirements*
- *Part 3: Pyrotechnic device and harness connector assembly - type 1* [Technical Specification]

The following parts are under preparation:

- *Part 4: Pyrotechnic device and harness connector assembly - type 2* [Technical Specification]

Introduction

Road vehicles integrate an increasing number of pyrotechnic devices contributing to occupant safety in vehicles, e.g. frontal and side air bag, safety belt pretensioner.

To build the complete system providing the function requires a supply of various components from several different equipment makers. Vehicle manufacturers need to define a common specification to ensure that connectors designed and produced for the various equipment makers can be mated without any difficulty.

In the current design of this vehicle equipment, three areas of connection have been identified:

- connection between the pyrotechnic device (e.g. initiator) and the harness connector;
- connection between the tab holder and the clip holder of the harness connector;
- connection between the harness connector and the electronic control module.

The connection between the pyrotechnic device and the harness connector is the only connection that can be standardized and it forms the subject of this Technical Specification. Due to the location of the safety device in the vehicle, the connector design could be right angle or straight.

Due to the fact that several electrostatic discharge (ESD) protection levels are requested by vehicle manufacturers, a two-way without ground option of the pyrotechnic device/initiator and harness connector assembly is also defined.

The International Organization for Standardization (ISO) draws attention to the fact that it is claimed that compliance with this document may involve the use of a patent.

ISO takes no position concerning the evidence, validity or scope of this patent right.

The holder of this patent right has assured ISO that he is willing to negotiate licences under reasonable and non-discriminatory terms and conditions with applicants throughout the world. In this respect, the statement of the holder of this patent right is registered with ISO. Information may be obtained from:

FCI
145, rue Yves-Le-Coz
78000 Versailles
France

Attention is drawn to the possibility that some of the elements of this document may be the subject of patent rights other than those identified above. ISO shall not be held responsible for identifying any or all such patent rights.

Road vehicles — Connection interface for pyrotechnic devices, two-way and three-way connections —

Part 3: Pyrotechnic device and harness connector assembly - type 1

1 Scope

This Technical Specification defines the general minimum specifications of a type 1 three-way connection interface, including ground connection, linking the pyrotechnic device and harness connector built into a road vehicle.

A two-way without ground variant of the pyrotechnic device/initiator and harness connector assembly is also defined. All requirements apply also to the two-way design, except all items related to ground connection.

2 Normative references

The following referenced documents are indispensable for the application of this document. For dated references, only the edition cited applies. For undated references, the latest edition of the referenced document (including any amendments) applies.

ISO 178, *Plastics — Determination of flexural properties*

ISO 8092-2, *Road vehicles — Connections for on-board electrical wiring harnesses — Part 2: Definitions, test methods and general performance requirements*

ISO 14647, *Metallic coatings — Determination of porosity in gold coatings on metal substrates — Nitric acid vapour test*

ISO 19072-1, *Road vehicles — Connection interface for pyrotechnic devices, two-way and three-way connections — Part 1: Pocket interface definition*

ISO 19072-2, *Road vehicles — Connection interface for pyrotechnic devices, two-way and three-way connections — Part 2: Test methods and general performance requirements*

ISO 27874, *Metallic and other inorganic coatings — Electrodeposited gold and gold alloy coatings for electrical, electronic and engineering purposes — Specification and test methods*

RAL German Institute for Quality Assurance and Certification e.V., RAL Colours homepage, <https://www.ral-farben.de/ral-farben.html>

3 Terms and definitions

For the purposes of this document, the terms and definitions given in ISO 8092-2 and the following apply.

3.1

connector

assembly of contact and housing that terminates conductors for the purpose of providing connection and disconnection to a suitable mating connector

NOTE A male (female) connector is a housing containing male (female) contacts and accessory items. A male connector can be permanently fixed to a wiring harness or to an appliance, e.g. an electronic control unit (ECU). A female connector is, in general, permanently fixed to a wiring harness.

- 3.2 housing**
connector without its contacts
- 3.3 initiator**
part of the pyrotechnical device holding the two male contacts
- 3.4 retainer**
ring, generally made of plastic, holding an optional shorting clip and providing coding and electrical insulation
- NOTE The shorting clip may be omitted on agreement between manufacturer and supplier.
- 3.5 shorting clip shunt**
metallic bar of the retainer providing the electrical connection between two male contacts
- 3.6 squib holder**
part of the pyrotechnical device holding the initiator and the retainer

4 Dimensional features and performance requirements

4.1 General

The female connector shall be designed to avoid damage to male contacts and the initiator in the case of improper mating.

The connector, retainer and squib holder assembly shall comply with the requirements in ISO 19072-1 and ISO 19072-2.

4.2 Retainer and squib holder assembly

The dimensions of the retainer shall comply with Figure 1. The dimensions of the squib holder interface are defined in ISO 19072-1.

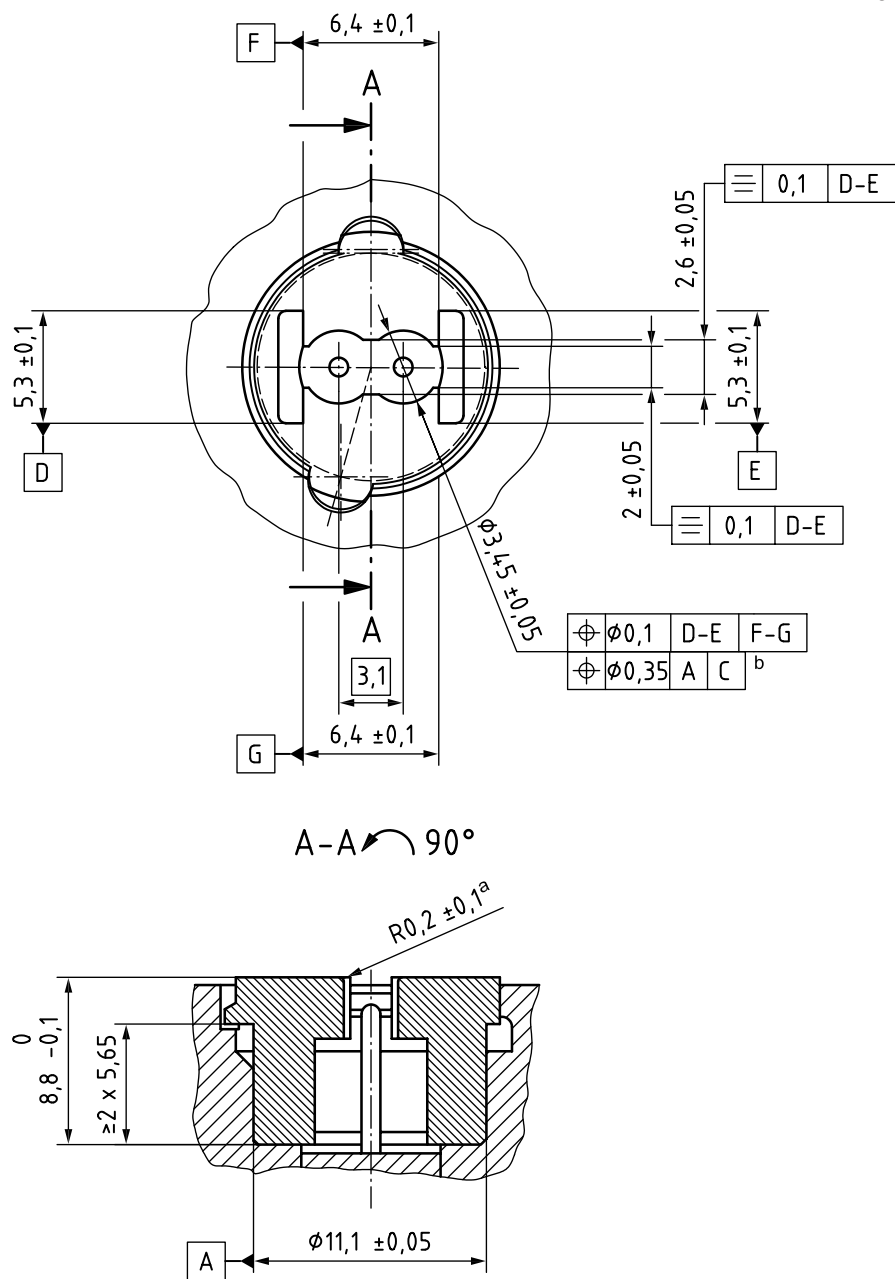
4.3 Codings and polarization

Coding and polarization are determined by the dimensions and position of the coding keys, each of which has its own colour code (see Figure 2 and Table 1).

The colour code shall be in accordance with RAL¹⁾; however, there needs to be an agreement about the range between the customer and supplier.

1) RAL colour space system developed by Reichsausschuß für Lieferbedingungen und Gütesicherung (German Institute for Quality Assurance and Certification e.V.); see Clause 2.

Dimensions in millimetres



^a The radius also applies to the complete top edge, including coding features.

^b Datum A and datum C are defined in ISO 19072-1.

Figure 1 — Retainer and squib holder assembly

Dimensions in millimetres

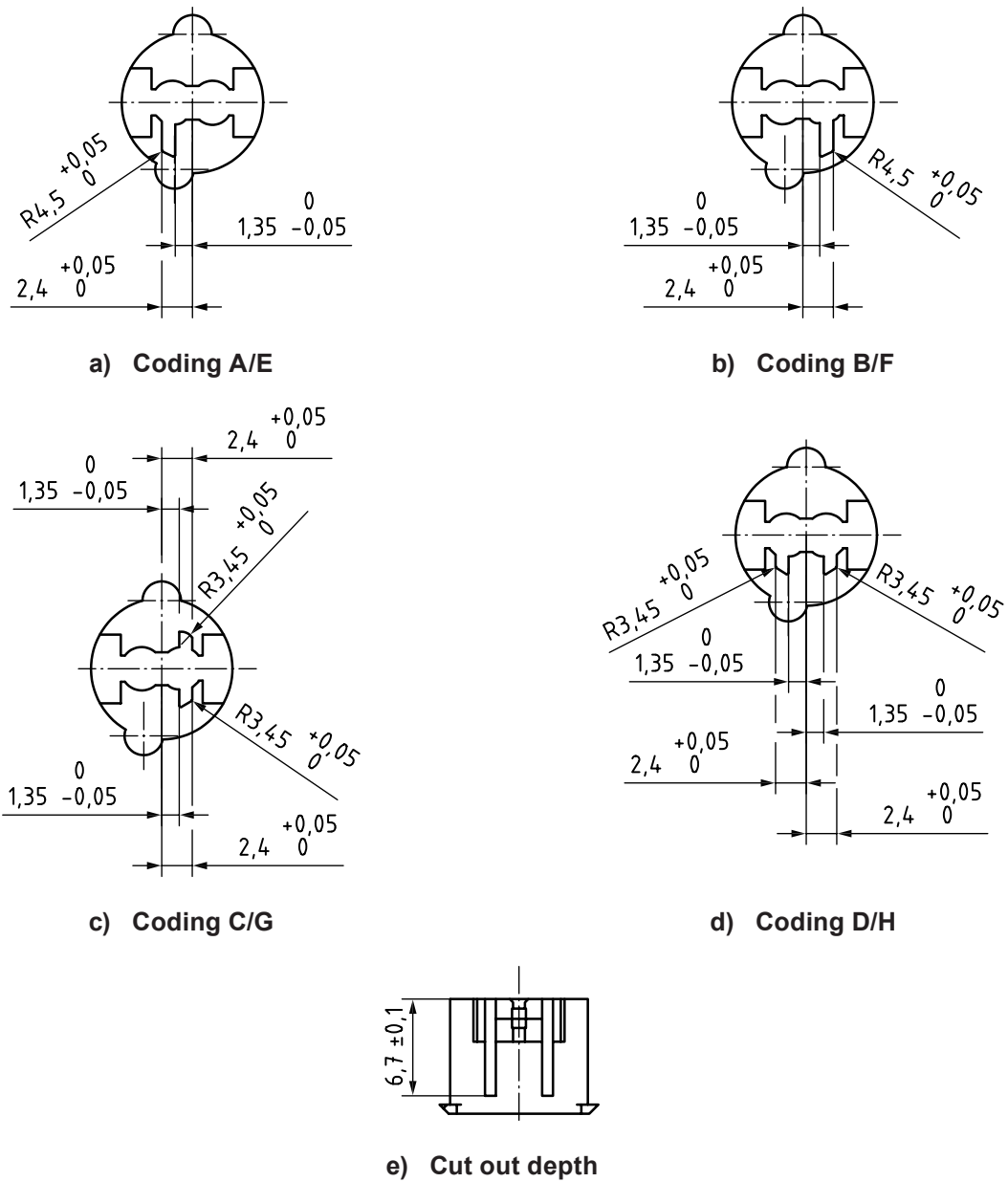


Figure 2 — Dimensions and position of coding keys

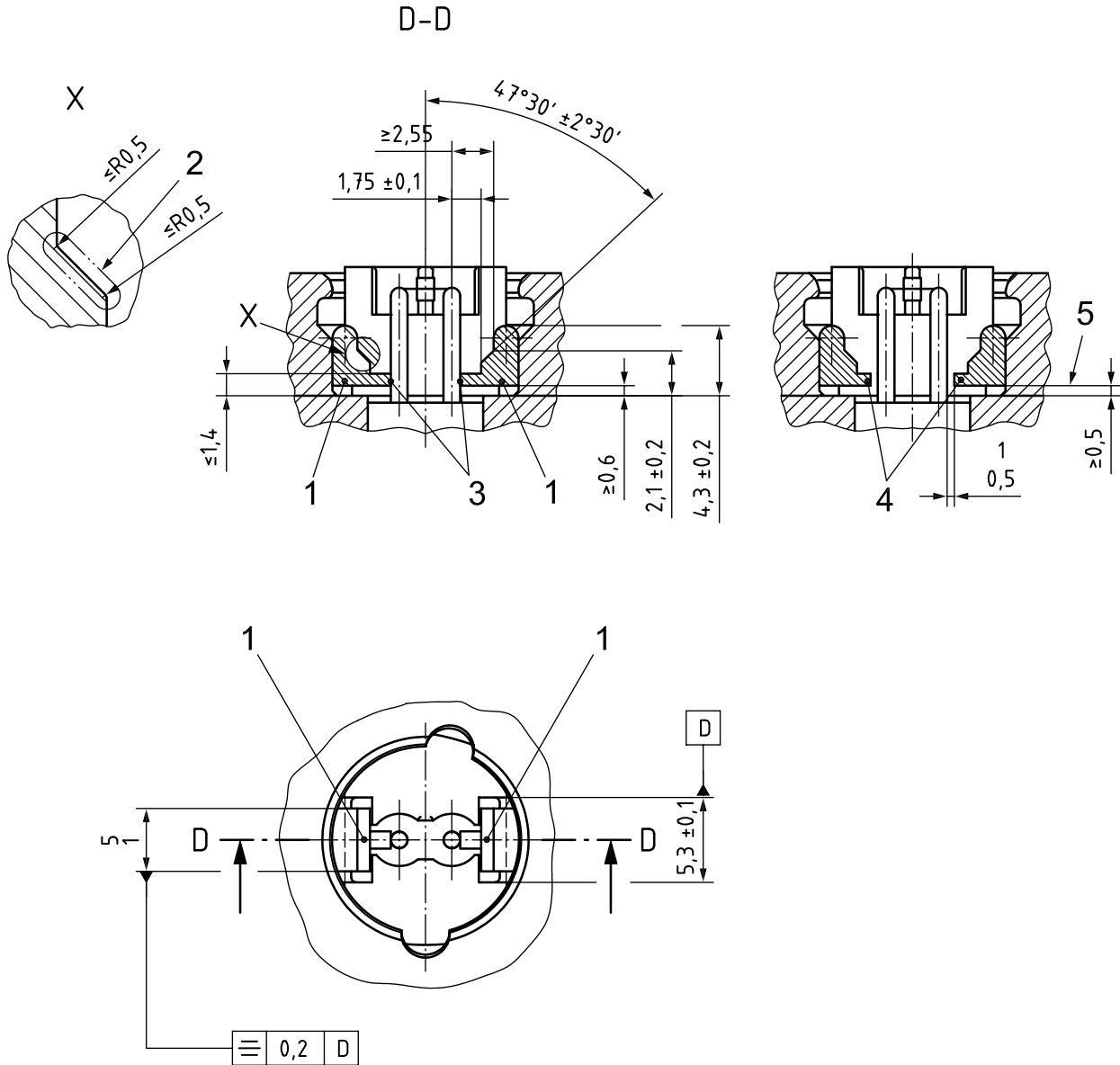
Table 1 — Type of coding used and assigned colour code

Colours RAL		Connection							
No.	Colour description	Three-way			Two-way				
		A	B	C	D	E	F	G	H
9011	graphite black	X							
6017	may green		X						
2007	luminous bright orange			X					
4008	signal violet				X				
4006	traffic purple					X			
9003	signal white						X		
6027	light green							X	
1018	zinc yellow								X

4.4 Dimensional features and properties for shorting clip function

The dimensions of the actuation area for opening the short-circuit in the retainer shall comply with Figure 3.

Dimensions in millimetres



Key

- 1 space reserved for short-circuit
- 2 shorting clip actuation surface
- 3 contact area for shorting clip
- 4 short-circuit position when open

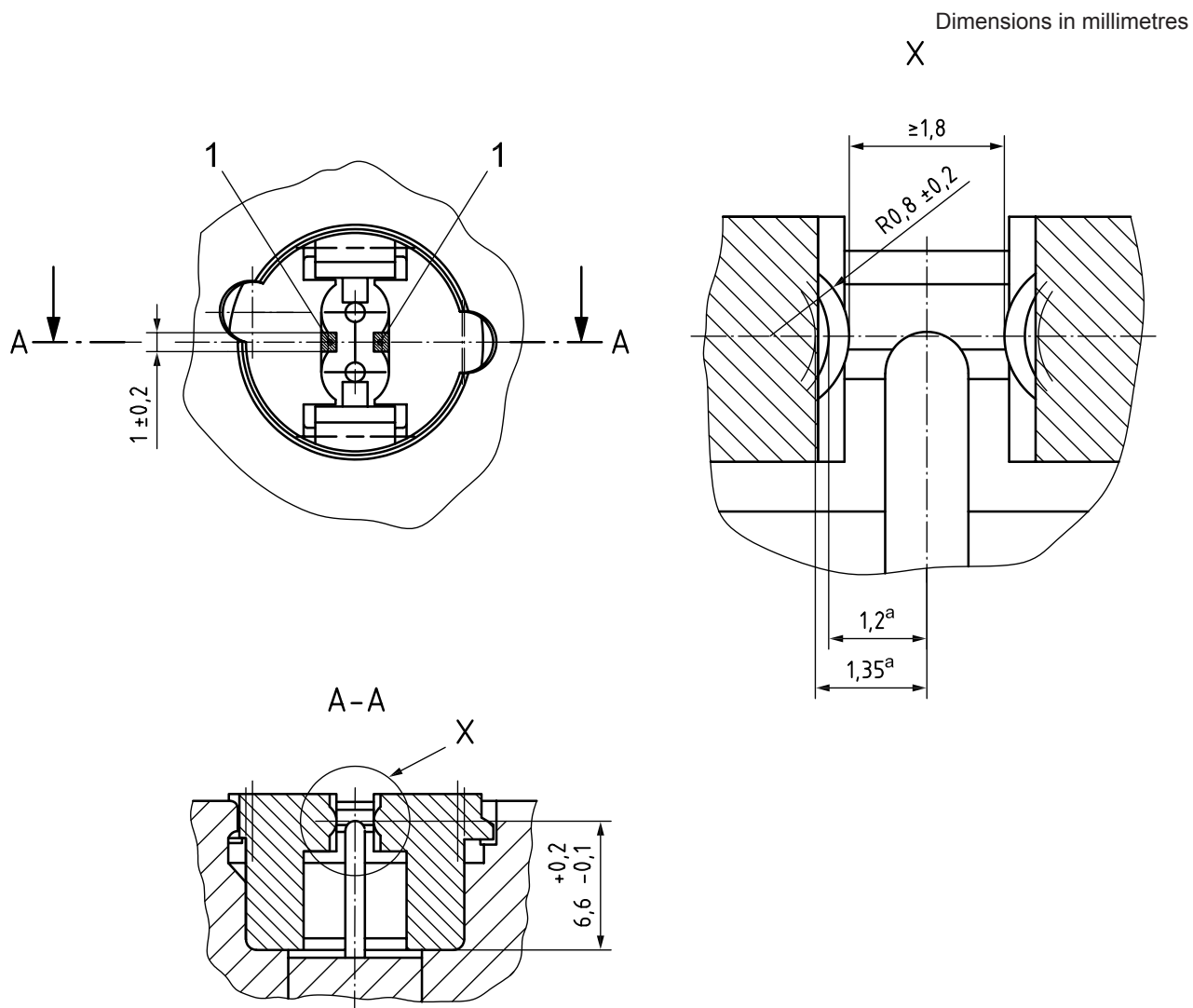
^a The two short-circuits shall be simultaneously activated by the connector.

Figure 3 — Dimensions of actuation area for short-circuit opening in retainer

4.5 Dimensional features and nominal forces for ground function

The dimensions of the actuation area and the nominal forces for opening the ground contact shall comply with Figure 4.

NOTE The details regarding the connection between the ground contact and the squib holder are not covered in this Technical Specification. They are to be agreed between customer and supplier.



Key

1 area of electrical ground contact

^a Nominal forces between 2 N and 8 N shall be maintained within the dimensions indicated.

Figure 4 — Dimensions of area and nominal forces for ground contact

5 Material characteristics

5.1 Contact specifications

5.1.1 Shorting clip contact

The contact area (see Figure 3) of the shorting clip shall comply with the following characteristics:

- ISO 27874, type (coating purity) and class (coating thickness) to be agreed between customer and supplier, but coating thickness shall be no less than 0,5 µm;
- ISO 14647, porosity not greater than 2 pores/mm²;
- underlayer material: nickel ≥1 µm.

5.1.2 Ground contact

The contact area of the ground function (see Figure 4) shall comply with the following characteristics:

- plating material: tin;
- thickness of plating: 2 µm to 5 µm.

5.2 Retainer

The modulus of elasticity of the plastic used for the retainer shall be minimum 4 500 MPa, in compliance with ISO 178.

British Standards Institution (BSI)

BSI is the national body responsible for preparing British Standards and other standards-related publications, information and services.

BSI is incorporated by Royal Charter. British Standards and other standardization products are published by BSI Standards Limited.

About us

We bring together business, industry, government, consumers, innovators and others to shape their combined experience and expertise into standards-based solutions.

The knowledge embodied in our standards has been carefully assembled in a dependable format and refined through our open consultation process. Organizations of all sizes and across all sectors choose standards to help them achieve their goals.

Information on standards

We can provide you with the knowledge that your organization needs to succeed. Find out more about British Standards by visiting our website at bsigroup.com/standards or contacting our Customer Services team or Knowledge Centre.

Buying standards

You can buy and download PDF versions of BSI publications, including British and adopted European and international standards, through our website at bsigroup.com/shop, where hard copies can also be purchased.

If you need international and foreign standards from other Standards Development Organizations, hard copies can be ordered from our Customer Services team.

Subscriptions

Our range of subscription services are designed to make using standards easier for you. For further information on our subscription products go to bsigroup.com/subscriptions.

With **British Standards Online (BSOL)** you'll have instant access to over 55,000 British and adopted European and international standards from your desktop. It's available 24/7 and is refreshed daily so you'll always be up to date.

You can keep in touch with standards developments and receive substantial discounts on the purchase price of standards, both in single copy and subscription format, by becoming a **BSI Subscribing Member**.

PLUS is an updating service exclusive to BSI Subscribing Members. You will automatically receive the latest hard copy of your standards when they're revised or replaced.

To find out more about becoming a BSI Subscribing Member and the benefits of membership, please visit bsigroup.com/shop.

With a **Multi-User Network Licence (MUNL)** you are able to host standards publications on your intranet. Licences can cover as few or as many users as you wish. With updates supplied as soon as they're available, you can be sure your documentation is current. For further information, email bsmusales@bsigroup.com.

BSI Group Headquarters

389 Chiswick High Road London W4 4AL UK

Revisions

Our British Standards and other publications are updated by amendment or revision.

We continually improve the quality of our products and services to benefit your business. If you find an inaccuracy or ambiguity within a British Standard or other BSI publication please inform the Knowledge Centre.

Copyright

All the data, software and documentation set out in all British Standards and other BSI publications are the property of and copyrighted by BSI, or some person or entity that owns copyright in the information used (such as the international standardization bodies) and has formally licensed such information to BSI for commercial publication and use. Except as permitted under the Copyright, Designs and Patents Act 1988 no extract may be reproduced, stored in a retrieval system or transmitted in any form or by any means – electronic, photocopying, recording or otherwise – without prior written permission from BSI. Details and advice can be obtained from the Copyright & Licensing Department.

Useful Contacts:

Customer Services

Tel: +44 845 086 9001

Email (orders): orders@bsigroup.com

Email (enquiries): cservices@bsigroup.com

Subscriptions

Tel: +44 845 086 9001

Email: subscriptions@bsigroup.com

Knowledge Centre

Tel: +44 20 8996 7004

Email: knowledgecentre@bsigroup.com

Copyright & Licensing

Tel: +44 20 8996 7070

Email: copyright@bsigroup.com



...making excellence a habit.™