



BSI Standards Publication

Water quality — Determination of fluoride using flow analysis (FIA and CFA)

Part 1: Method using flow injection analysis (FIA) and spectrometric detection after off-line distillation

National foreword

This Published Document is the UK implementation of ISO/TS 17951-1:2016.

The UK participation in its preparation was entrusted to Technical Committee EH/3/2, Physical chemical and biochemical methods.

A list of organizations represented on this committee can be obtained on request to its secretary.

This publication does not purport to include all the necessary provisions of a contract. Users are responsible for its correct application.

© The British Standards Institution 2016. Published by BSI Standards Limited 2016

ISBN 978 0 580 94113 9

ICS 13.060.50

Compliance with a British Standard cannot confer immunity from legal obligations.

This Published Document was published under the authority of the Standards Policy and Strategy Committee on 30 September 2016.

Amendments issued since publication

| Date | Text affected |
|------|---------------|
|------|---------------|

**Water quality — Determination of
fluoride using flow analysis (FIA and
CFA) —**

Part 1:
**Method using flow injection analysis
(FIA) and spectrometric detection
after off-line distillation**

*Qualité de l'eau — Dosage des fluorures par analyse en flux (FIA et
CFA) —*

*Partie 1: Méthode par analyse avec injection en flux (FIA) et détection
spectrométrique*



COPYRIGHT PROTECTED DOCUMENT

© ISO 2016, Published in Switzerland

All rights reserved. Unless otherwise specified, no part of this publication may be reproduced or utilized otherwise in any form or by any means, electronic or mechanical, including photocopying, or posting on the internet or an intranet, without prior written permission. Permission can be requested from either ISO at the address below or ISO's member body in the country of the requester.

ISO copyright office
Ch. de Blandonnet 8 • CP 401
CH-1214 Vernier, Geneva, Switzerland
Tel. +41 22 749 01 11
Fax +41 22 749 09 47
copyright@iso.org
www.iso.org

Contents

Page

| | |
|--|-----------|
| Foreword | iv |
| Introduction | v |
| 1 Scope | 1 |
| 2 Normative references | 1 |
| 3 Principle | 1 |
| 4 Interferences | 2 |
| 5 Reagents | 2 |
| 6 Apparatus | 4 |
| 7 Sampling and sample preparation | 4 |
| 8 Procedure | 5 |
| 8.1 Distillation..... | 5 |
| 8.2 Setting up the system..... | 5 |
| 8.3 Reagent blank measurement..... | 5 |
| 8.4 Adjustment of sensitivity..... | 5 |
| 8.5 Confirmation of repeatability..... | 5 |
| 8.6 Calibration..... | 5 |
| 8.7 Measurement of samples..... | 6 |
| 9 Calculation | 6 |
| 10 Expression of results | 6 |
| 11 Test report | 7 |
| Annex A (informative) Example of flow injection analysis (FIA) system | 8 |
| Annex B (informative) Example of a distillation apparatus and procedure | 9 |
| Annex C (informative) Results of the interlaboratory trial | 11 |
| Bibliography | 12 |

Foreword

ISO (the International Organization for Standardization) is a worldwide federation of national standards bodies (ISO member bodies). The work of preparing International Standards is normally carried out through ISO technical committees. Each member body interested in a subject for which a technical committee has been established has the right to be represented on that committee. International organizations, governmental and non-governmental, in liaison with ISO, also take part in the work. ISO collaborates closely with the International Electrotechnical Commission (IEC) on all matters of electrotechnical standardization.

The procedures used to develop this document and those intended for its further maintenance are described in the ISO/IEC Directives, Part 1. In particular the different approval criteria needed for the different types of ISO documents should be noted. This document was drafted in accordance with the editorial rules of the ISO/IEC Directives, Part 2 (see www.iso.org/directives).

Attention is drawn to the possibility that some of the elements of this document may be the subject of patent rights. ISO shall not be held responsible for identifying any or all such patent rights. Details of any patent rights identified during the development of the document will be in the Introduction and/or on the ISO list of patent declarations received (see www.iso.org/patents).

Any trade name used in this document is information given for the convenience of users and does not constitute an endorsement.

For an explanation on the meaning of ISO specific terms and expressions related to conformity assessment, as well as information about ISO's adherence to the WTO principles in the Technical Barriers to Trade (TBT) see the following URL: [Foreword - Supplementary information](#)

The committee responsible for this document is ISO/TC 147, *Water quality*, Subcommittee SC 2, *Physical, chemical and biochemical methods*.

ISO 17951 consists of the following parts, under the general title *Water quality — Determination of fluoride using flow analysis (FIA and CFA)*:

- *Part 1: Method using flow injection analysis (FIA) and spectrometric detection after off-line distillation* [Technical Specification]
- *Part 2: Method using continuous flow analysis (CFA) with automated in-line distillation* [Technical Specification]

Introduction

Fluorine compounds in waters and effluents exist in various chemical forms, such as fluoride ion, complexes of iron, aluminium, boron and etc., as well as insoluble forms, such as calcium and magnesium fluorides. Excess fluoride can cause bone damage and fluorosis. The manual steam distillation method can be troublesome because of its complexity. It is necessary to ensure conversion of any insoluble fluorides into soluble fluoride for measurement.

Flow analysis with colourimetric detection is a rapid cost-effective method of determining of soluble (dissolved) fluoride in the method distillate.

This part of ISO 17951 describes FIA methods for flow analysis of fluoride.

Water quality — Determination of fluoride using flow analysis (FIA and CFA) —

Part 1:

Method using flow injection analysis (FIA) and spectrometric detection after off-line distillation

WARNING — Persons using this part of ISO 17951 should be familiar with normal laboratory practice. This part of ISO 17951 does not purport to address all of the safety problems, if any, associated with its use. It is the responsibility of the user to establish appropriate safety and health practices and to ensure compliance with any national regulatory conditions.

IMPORTANT — It is absolutely essential that tests conducted in accordance with this part of ISO 17951 be carried out by suitably qualified staff.

1 Scope

This part of ISO 17951 specifies a method for the determination of fluoride in waters, waste waters and effluents by flow injection analysis (FIA). Any insoluble or complexed fluoride is converted to fluoride ion by a manual distillation procedure from sulfuric/phosphoric acid. Fluoride ion in the distillate is measured using flow analysis with lanthanum alizarin complexone and spectrometric detection. This method is applicable to industrial waste waters, effluents, surface waters, ground waters, leachates. It is not recommended for drinking waters where a distillation step is not required. In this part of ISO 17951, two working ranges are described:

- working range I: 0,1 mg/l to 1 mg/l;
- working range II: 1 mg/l to 10 mg/l.

The specification of the calibration solutions are to be adapted accordingly.

2 Normative references

The following documents, in whole or in part, are normatively referenced in this document and are indispensable for its application. For dated references, only the edition cited applies. For undated references, the latest edition of the referenced document (including any amendments) applies.

ISO 3696, *Water for analytical laboratory use — Specification and test methods*

ISO 6353-2, *Reagents for chemical analysis — Part 2: Specifications — First series*

ISO 8466-1, *Water quality — Calibration and evaluation of analytical methods and estimation of performance characteristics — Part 1: Statistical evaluation of the linear calibration function*

ISO 8466-2, *Water quality — Calibration and evaluation of analytical methods and estimation of performance characteristics — Part 2: Calibration strategy for non-linear second-order calibration functions*

3 Principle

Prior to the introduction of sample solution into the FIA system, the sample solution is manually distilled (see [Annex B](#)). Then, the distillate is introduced into a continuous carrier stream (water)

by means of injection valve and is mixed with a continuously streaming flow of lanthanum alizarin complexone solution. The formed blue colour is measured by spectrometric detection around 620 nm. Without the distillation, fluoride ion in water samples is determined.

4 Interferences

Without distillation, lanthanum alizarin complexone spectrometric method suffers from the interferences by aluminium, cadmium, cobalt, iron, nickel, beryllium, lead, etc. However, these interferences are removed by the distillation.

5 Reagents

Use only reagents of recognized analytical grade. The prepared solution is degassed, if necessary.

5.1 Water, grade 1, as specified in ISO 3696.

5.2 1,2-Dihydroxyanthraquinonyl-3-methylamine-*N,N*-diacetic acid dihydrate (alizarin complexone), $C_{19}H_{15}NO_8 \cdot 2H_2O$.

5.3 Ammonia solution I, $c(NH_3) = 15 \text{ mol/l}$, as specified in ISO 6353-2.

5.4 Hydrochloric acid I, $c(HCl) = 12 \text{ mol/l}$, as specified in ISO 6353-2.

5.5 Ammonium acetate, $C_2H_7NO_2$, as specified in ISO 6353-2.

5.6 Sodium acetate trihydrate, $C_2H_3O_2Na \cdot 3H_2O$, as specified in ISO 6353-2.

5.7 Acetic acid, $C_2H_4O_2$, as specified in ISO 6353-2.

5.8 Lanthanum(III) oxide, La_2O_3 .

5.9 Acetone, C_3H_6O , as specified in ISO 6353-2.

5.10 Sodium fluoride, NaF.

5.11 Sulfuric acid, $c(H_2SO_4) = 18 \text{ mol/l}$.

5.12 Phosphoric acid, $c(H_3PO_4) = 14,6 \text{ mol/l}$.

5.13 Carrier solution, water ([5.1](#)).

5.14 Ammonia solution II.

Mix 10 ml of ammonia solution I ([5.3](#)) and 100 ml of water ([5.1](#)).

5.15 Ammonium acetate solution, $\rho(C_2H_7NO_2) = 200 \text{ g/l}$.

Dissolve 200 g of ammonium acetate ([5.5](#)) in about 800 ml of water ([5.1](#)). Make up to 1 000 ml with water ([5.1](#)).

5.16 Sodium acetate solution.

Dissolve 41 g of sodium acetate trihydrate ([5.6](#)) in 400 ml of water ([5.1](#)) and add 24 ml of acetic acid ([5.7](#)).

5.17 Hydrochloric acid II, $c(\text{HCl}) = 2 \text{ mol/l}$.

Mix 20 ml of hydrochloric acid (5.4) and 100 ml of water (5.1).

5.18 Lanthanum(III) solution, $c(\text{La(III)}) = 0,1 \text{ mol/l}$.

Add 0,163 g of lanthanum(III) oxide (5.8) to 10 ml of hydrochloric acid II (5.17) and dissolve it by heating of the solution.

5.19 Lanthanum-alizarin complexone solution.

Dissolve 0,192 g of alizarin complexone (5.2) to 4 ml of ammonia solution II (5.14) and 4 ml of ammonium acetate solution (200 g/l) (5.15). Add this solution into 425 ml of sodium acetate solution (5.16) with stirring, and add 400 ml of acetone (5.9) gradually. Then, add 10 ml of lanthanum(III) solution (5.18) to the solution and mix it. After cooling, adjust the pH of the solution to 4,7 with acetic acid (5.7) or ammonia solution I (5.3), then make it up to 1 000 ml with water (5.1).

Lanthanum-alizarin complexone solution (5.19) can be prepared by using alfusone.¹⁾ In that case, after dissolving 1,2 g of alfusone to small amount of water (5.1), add 90 ml of acetone (5.9) and mix the solution. Make up the solution to 300 ml with water (5.1). The solution shall be prepared at the time of analysis.

5.20 Fluoride stock solution ion, $\rho(\text{F}^-) = 100 \text{ mg/l}$.

Take sodium fluoride (5.10) in a platinum plate and dry at 105 °C at least 1 h. Then cool it in a desiccator. Dissolve 0,221 g of NaF (5.10) in water in a 1 000 ml volumetric flask. Make up to volume with water (5.1).

This solution is stable for one month at room temperature in a polyethylene bottle.

5.21 Fluoride standard solution, $\rho(\text{F}^-) = 10 \text{ mg/l}$.

Take 10 ml of the fluoride stock solution (5.20) to a 100 ml volumetric flask and make up to volume with water (5.1).

This solution is stable for one week in the dark at 2 °C to 8 °C in a polyethylene bottle.

5.22 Calibration solutions.

Prepare at least five calibration solutions with fluoride concentrations roughly regularly distributed over the working range, by dilution of the appropriate fluoride standard solution or the fluoride stock solution. Examples of calibration solutions for two possible working ranges are given in 5.22.1. For other working ranges, prepare calibration solutions appropriate to cover a decade of concentrations, accordingly.

5.22.1 General

Prepare at least five calibration solutions to cover a decade of concentration, accordingly.

5.22.2 Calibration solutions I for working range 0,1 mg/l to 1 mg/l

For example, six calibration solutions should be prepared as follows.

Pipette, into 100 ml volumetric flasks, 1 ml, 2 ml, 4 ml, 6 ml, 8 ml and 10 ml respectively, of the fluoride standard solution I (5.21) and make up to volume with water (5.1).

1) Alfusone is a product commercially available. This information is given for the convenience of users of this International Standard and does not constitute an endorsement by ISO of this product.

These solutions contain 0,1 mg/l, 0,2 mg/l, 0,4 mg/l, 0,6 mg/l, 0,8 mg/l and 1 mg/l fluoride, respectively.

5.22.3 Calibration solutions II for working range 1 mg/l to 10 mg/l

For example, six calibration solutions should be prepared as follows.

Pipette, into 100 ml volumetric flasks, 1 ml, 2 ml, 4 ml, 6 ml, 8 ml and 10 ml respectively, of the fluoride standard solution I ([5.20](#)) and make up to volume with water ([5.1](#)).

These solutions contain 1 mg/l, 2 mg/l, 4 mg/l, 6 mg/l, 8 mg/l and 10 mg/l fluoride, respectively.

6 Apparatus

Usual laboratory equipment and, in particular, the following.

6.1 Flow injection analysis system.

A suitable example of the system contains the components as specified in [6.1.1](#) to [6.1.5](#) (see [Figure A.1](#)).

6.1.1 Low pulsation pump.

Use a multichannel quantitative pump with a low pulsation.

6.1.2 Sample introduction system.

Use an injector for introducing samples. Select the appropriate amount of sample. Automatic sample introduction device can be used, if necessary.

6.1.3 Reaction manifold, consists of fluorocarbon polymer tubes, such as polytetrafluoroethylene (PTFE) with the internal diameter of 0,5 mm to 0,8 mm, plastics joints of chemically inert and small dead volume and a thermostat which is capable of heating at 70 °C.

6.1.4 Detection system.

Use a spectrometric detector with flow cell, which is capable of measuring at a wavelength of 620 nm ± 5 nm.

UV lamp and the light filter should be calibrated to ensure the repeatability of the results.

6.1.5 Recording system, which is capable of recording signals from the detector.

6.2 Distillation apparatus.

Use a distillation apparatus as described in [Annex B](#) as an example.

7 Sampling and sample preparation

Take the samples in polyethylene bottles which have been washed thoroughly and rinsed with fluoride-free water. Polypropylene, polystyrene and polycarbonate bottles can also be used. No preservative is necessary. Analyse the samples within one month. For further information on sample preservation, see ISO 5667-3.

8 Procedure

8.1 Distillation

Distill samples using a distillation apparatus as described in [Annex B](#) as an example.

8.2 Setting up the system

Set up the analytical apparatus and the detector ready for the analysis. Then change the water ([5.1](#)) to reagent solutions and wait until the base line is stable. Confirm that the drift of baseline does not interfere results and sufficient S/N ratio is obtained.

8.3 Reagent blank measurement

Set the analysis system in operation by first pumping water through the system. Wait for stabilization of the baseline and zero the baseline.

Run the reagent carrier solution [water ([5.1](#))] and lanthanum alizarin complexone solution ([5.19](#)) respectively through the system and measure the increase in absorbance against water. If the absorbance per centimetre changes by more than $0,006 \text{ cm}^{-1}$ of cell path length, it is possible that either the water or the reagent solutions are contaminated. Take appropriate measures to eliminate the interference.

NOTE If the metric detector does not give absorbance readings, the absorbance can be determined with an external absorbance-measuring spectrometer.

8.4 Adjustment of sensitivity

Adjust the sensitivity of detector to be appropriate for the response by analytical species in the sample. An appropriate path length should be used to achieve a minimum absorbance of 0,005 (absolute value) for a fluoride solution with concentration of the lower end (0,1 mg/l) of the working range.

8.5 Confirmation of repeatability

Analyse a standard solution five times at a concentration in the middle of the using working curve and confirm that repeatability coefficient of variation is not greater than 10 %.

8.6 Calibration

Prepare the calibration solutions for the working ranges by diluting the stock solution ([5.20](#)) or the standard solution ([5.21](#)) with water ([5.1](#)). At least five calibration solutions per working range are prepared. Measure each standard solution by the analytical conditions to be used for the analysis of samples.

Select the working mode of the flow system and calibrate by sequentially applying the calibration solutions ([5.22](#)) and the blank solution.

Prior to the calibration, zero the instrument, following the manufacturer's instructions as long as they are in accordance with the specifications of this part of ISO 17951.

Determine the measured values from the calibration solutions.

The test conditions for the calibration and the measurement of samples ([8.7](#)) are the same. The magnitude of the measuring signal is proportional to the mass concentration of fluoride. Establish the regression line for the measuring series obtained.

Calibrate the flow system as specified in ISO 8466-1. In general, [Formula \(1\)](#) is appropriate (ISO 8466-1). If the linearity test described in ISO 8466-1 shows that the calibration curve is not linear, calculate the calibration curve as specified in ISO 8466-2.

The measured value for the calibration solutions, y , in terms of instrument related units (e.g. peak heights in centimetres or counts), is given by:

$$y = b\rho + a \quad (1)$$

where

b is the slope of the calibration function, expressed in instrument-related units per milligram per litre;

ρ is the mass concentration of the calibration solutions, expressed in milligrams per litre, mg/l;

a is the ordinate intercept, expressed in instrument-related units.

8.7 Measurement of samples

Measure samples by using the same conditions as the preparation of the calibration graphs. When the measurement value exceeds the range of the working curve, dilute the samples appropriately. In order to confirm the adequacy of the measurements, measure the calibration solutions for the working curve at the minimum and the maximum concentrations at an interval of 10 to 20 samples. In order to confirm that there is no hindrance to the results of the measurement, compare the response of the calibration solutions at this time with the response of the calibration solutions at the time of the preparation of the calibration graph. In addition, confirm that when each sample is measured, there is no abnormality in the peak shape and confirm that the variation of the baseline is within acceptable limits.

Analyse the samples in the same way as the calibration solutions with the flow injection system.

Make a new calibration, if necessary.

9 Calculation

For the calculation of concentration, use the working curve given in [8.6](#). Do not extrapolate the working curve.

Determine the mass concentrations of the samples using the measured values, obtained as specified in [8.6](#) for the calibration solutions.

Calculate ρ using [Formula \(2\)](#):

$$\rho = \frac{y - a}{b} \quad (2)$$

where ρ is the mass concentration of the calibration solutions, expressed in milligrams per litre, mg/l.

For an explanation of the symbols a and b , see [8.6](#).

10 Expression of results

Describe the concentration of fluoride determined in [Clause 9](#) by using the unit of mg/l as F^- .

Report the results to two significant figures at most.

EXAMPLE 1 $\rho(F^-)$ 0,35 mg/l.

EXAMPLE 2 $\rho(F^-)$ 6,3 mg/l.

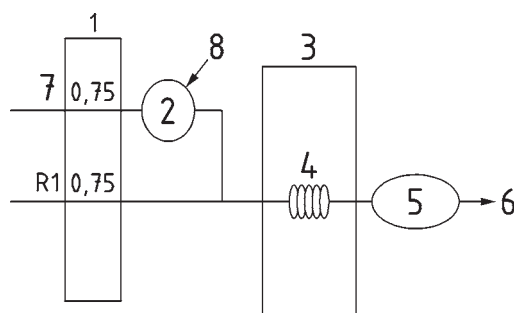
11 Test report

This test report shall contain at least the following information:

- a) the test method used, together with a reference to this part of ISO 17951, i.e. ISO/TS 17951-1:2016;
- b) all information necessary for identification of the sample;
- c) the type of sample pretreatment;
- d) the fluoride concentration in milligrams per litre, expressed in accordance with [Clause 10](#);
- e) any special observations noted during the determination;
- f) any deviations from this part of ISO 17951, which could have affected the result.

Annex A (informative)

Example of flow injection analysis (FIA) system



Key

- 1 pump, flow rate ml/min
- 2 injector for introducing samples, sample volume 200 μ l or 400 μ l
- 3 thermostat, 70 °C
- 4 reaction coil, internal diameter 0,5 mm, length 10 m
- 5 detector 620 nm \pm 5 nm
- 6 waste water
- 7 carrier solution (water)
- 8 sample
- R1 lanthanum arizarin complexone solution ([5.19](#))

NOTE Dimension of reaction coil is the value in Key 4 and the flow rate is 0,75 ml/min.

Figure A.1 — Example of a flow injection system (FIA) for the determination of fluoride in the working range 0,1 mg/l to 1 mg/l

Annex B (informative)

Example of a distillation apparatus and procedure

B.1 Distillation

B.1.1 Additional reagents

B.1.2 Phenolphthalein solution, $\rho(\text{C}_{20}\text{H}_{14}\text{O}_4) = 5 \text{ g/l}$.

Dissolve 0,5 g of phenolphthalein to 50 ml of ethanol (95) and make up to 100 ml with water.

B.1.3 Sodium hydroxide solution, $\rho(\text{NaOH}) = 100 \text{ g/l}$.

Dissolve 10 g of sodium hydroxide to water and make up to 100 ml with water.

B.1.4 Silicon dioxide, SiO_2 .

Use SiO_2 with a particle size of 100 μm to 150 μm .

B.2 Procedure

Take a suitable volume of sample (containing 30 μg or more amount of F^-) into a porcelain evaporating dish or a beaker. Add two or three drops phenolphthalein solution (B.1.2). Adjust the solution to slightly alkaline by adding sodium hydroxide solution (B.1.3) and concentrate the solution to about 30 ml by heating.

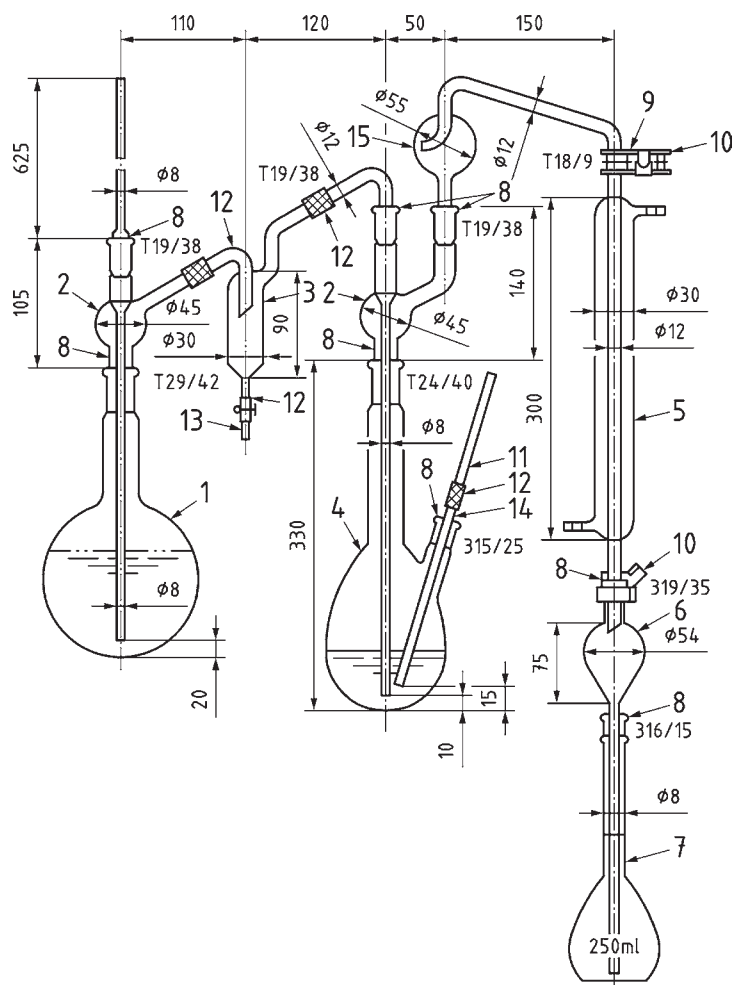
Quantitatively transfer the solution to the distillation flask (Figure B.1, Key 4). Add 1 g of silicon dioxide (B.1.4), 1 ml of phosphoric acid (5.12) and 30 ml of sulfuric acid (5.11). Add 20 ml of water (5.1) to the receiver (volumetric flask 250 ml) (Figure B.1, Key 7) and keep the end of backflow preventer (Figure B.1, Key 6) under the surface of water.

Heat the distillation flask (Figure B.1, Key 4) directly and pass steam after the temperature of the liquid in the distillation flask reach the temperature of about 140 °C.

Adjust the distillation temperature at 145 °C \pm 5 °C and the distillate rate from 3 ml/min to 5 ml/min and continue the distillation until the fluid volume in the receiver (Figure B.1, Key 7) reaches 220 ml.

Remove the Liebig condenser (Figure B.1, Key 5) and the backflow preventer (Figure B.1, Key 6). Then, rinse the inner pipe of the condenser and the inside and outside of the backflow preventer (Figure B.1, Key 6) with water (5.1). Add the wash liquid to the receiver (Figure B.1, Key 7) and add water (5.1) to the marked line.

Other distillation apparatus and procedures are available.



Key

- | | | | |
|---|-------------------------------------|----|----------------------------|
| 1 | steam generation flask, 1 000 ml | 9 | interchangeable ball joint |
| 2 | inlet glass tube | 10 | holddown spring |
| 3 | trap | 11 | thermometer, 200 °C |
| 4 | distillation flask, 500 ml | 12 | rubber tube |
| 5 | Liebig condenser, 300 ml | 13 | pinch cock |
| 6 | backflow preventer (about 50 ml) | 14 | insert thermometer stopper |
| 7 | receiver (volumetric flask, 250 ml) | 15 | ball trap (Kildall type) |
| 8 | interchangeable ground glass joint | | |

Figure B.1 — Example of a distillation apparatus

Annex C (informative)

Results of the interlaboratory trial

Table C.1 — Results of the interlaboratory trial

| No | Analyst | Sample | Results | Detection |
|----|---------------------------|--------------------------------|---|-------------------------|
| 1 | USA, Analysis company | Synthetic sample | 5,88 mg/l ± 0,017 mg/l, (n = 9), RSD 0,29 % | Ion selective electrode |
| 2 | Spain, University | Lake Water | 0,82 mg/l ± 0,004 mg/l, (n = 5), RSD, 0,49 % | Colourimetric |
| 3 | Thailand, University | River water | 0,91 mg/l ± 0,020 mg/l, (n = 3), RSD 2,0 % | Colourimetric |
| 4 | CANADA, Analysis company | Effluent of research institute | 7,53 mg/l ± 0,026 mg/l, (n = 3), RSD 4,3 % | Ion selective electrode |
| 5 | Japan, University | Synthetic sample | 4,62 mg/l ± 0,068 mg/l, (n = 10), RSD 1,5 % | Colourimetric |
| 6 | Japan, University | Effluent of research institute | 7,49 mg/l ± 0,0002 mg/l, (n = 3), RSD 0,0031 % | Colourimetric |
| 7 | Japan, Analysis company | River water | 1,02 mg/l ± 0,004 mg/l, (n = 9), RSD 0,39 % | Colourimetric |
| 8 | Japan, Analysis company | Lake Water | 0,82 mg/l ± 0,003mg/l, (n = 9), RSD 0,29 % | Colourimetric |
| 9 | Japan, Research institute | River water | 0,93 mg/l ± 0,017 mg/l, (n = 5), RSD 1,8 % | Colourimetric |
| 10 | Japan, Research institute | Synthetic sample | 5,59 mg/l ± 0,025 mg/l, (n = 3), RSD 0,45 % | Colourimetric |

Bibliography

- [1] ISO 5667-3, *Water quality — Sampling — Part 3: Preservation and handling of water samples*
- [2] ISO 5725-2, *Accuracy (trueness and precision) of measurement methods and results — Part 2: Basic method for the determination of repeatability and reproducibility of a standard measurement method*
- [3] JIS K 0170-6, 2011, *Testing methods for water quality by flow analysis-Part 6: Fluoride*
- [4] ACGIH, *Threshold Limit Values for Chemical Substances and Physical Agents and Biological Exposure Indices*, 2011 p31
- [5] NISHIOKA H., SAI N., KUMAGAI T. Suehiro.T, Uesugi, K. *Bulletin of the Society of Sea Water, Japan*. 1994, **48** pp. 10–14
- [6] OHSAKI M., TATSUMI M., OZAKI S., NAKAMURA E. High sensitive flow injection analysis for fluoride by using alfosone solution containing fluoride. *J. Flow Injection Anal.* 2012, **29** pp. 17–20
- [7] THE AMERICAN PUBLIC HEALTH ASSOCIATION (APHA), the American Water Works Association (AWWA), the Water Environment Federation (WEF), *Standard Methods for the Examination of Water and Wastewater*, 22 ed. 2012, 134 Fluoride.

British Standards Institution (BSI)

BSI is the national body responsible for preparing British Standards and other standards-related publications, information and services.

BSI is incorporated by Royal Charter. British Standards and other standardization products are published by BSI Standards Limited.

About us

We bring together business, industry, government, consumers, innovators and others to shape their combined experience and expertise into standards-based solutions.

The knowledge embodied in our standards has been carefully assembled in a dependable format and refined through our open consultation process. Organizations of all sizes and across all sectors choose standards to help them achieve their goals.

Information on standards

We can provide you with the knowledge that your organization needs to succeed. Find out more about British Standards by visiting our website at bsigroup.com/standards or contacting our Customer Services team or Knowledge Centre.

Buying standards

You can buy and download PDF versions of BSI publications, including British and adopted European and international standards, through our website at bsigroup.com/shop, where hard copies can also be purchased.

If you need international and foreign standards from other Standards Development Organizations, hard copies can be ordered from our Customer Services team.

Copyright in BSI publications

All the content in BSI publications, including British Standards, is the property of and copyrighted by BSI or some person or entity that owns copyright in the information used (such as the international standardization bodies) and has formally licensed such information to BSI for commercial publication and use.

Save for the provisions below, you may not transfer, share or disseminate any portion of the standard to any other person. You may not adapt, distribute, commercially exploit, or publicly display the standard or any portion thereof in any manner whatsoever without BSI's prior written consent.

Storing and using standards

Standards purchased in soft copy format:

- A British Standard purchased in soft copy format is licensed to a sole named user for personal or internal company use only.
- The standard may be stored on more than 1 device provided that it is accessible by the sole named user only and that only 1 copy is accessed at any one time.
- A single paper copy may be printed for personal or internal company use only.

Standards purchased in hard copy format:

- A British Standard purchased in hard copy format is for personal or internal company use only.
- It may not be further reproduced – in any format – to create an additional copy. This includes scanning of the document.

If you need more than 1 copy of the document, or if you wish to share the document on an internal network, you can save money by choosing a subscription product (see 'Subscriptions').

Reproducing extracts

For permission to reproduce content from BSI publications contact the BSI Copyright & Licensing team.

Subscriptions

Our range of subscription services are designed to make using standards easier for you. For further information on our subscription products go to bsigroup.com/subscriptions.

With **British Standards Online (BSOL)** you'll have instant access to over 55,000 British and adopted European and international standards from your desktop. It's available 24/7 and is refreshed daily so you'll always be up to date.

You can keep in touch with standards developments and receive substantial discounts on the purchase price of standards, both in single copy and subscription format, by becoming a **BSI Subscribing Member**.

PLUS is an updating service exclusive to BSI Subscribing Members. You will automatically receive the latest hard copy of your standards when they're revised or replaced.

To find out more about becoming a BSI Subscribing Member and the benefits of membership, please visit bsigroup.com/shop.

With a **Multi-User Network Licence (MUNL)** you are able to host standards publications on your intranet. Licences can cover as few or as many users as you wish. With updates supplied as soon as they're available, you can be sure your documentation is current. For further information, email subscriptions@bsigroup.com.

Revisions

Our British Standards and other publications are updated by amendment or revision.

We continually improve the quality of our products and services to benefit your business. If you find an inaccuracy or ambiguity within a British Standard or other BSI publication please inform the Knowledge Centre.

Useful Contacts

Customer Services

Tel: +44 345 086 9001

Email (orders): orders@bsigroup.com

Email (enquiries): cservices@bsigroup.com

Subscriptions

Tel: +44 345 086 9001

Email: subscriptions@bsigroup.com

Knowledge Centre

Tel: +44 20 8996 7004

Email: knowledgecentre@bsigroup.com

Copyright & Licensing

Tel: +44 20 8996 7070

Email: copyright@bsigroup.com

BSI Group Headquarters

389 Chiswick High Road London W4 4AL UK