

# Ergonomics of human-system interaction

## Part 308: Surface-conduction electron-emitter displays (SED)

ICS 13.180; 35.180

## National foreword

This Published Document is the UK implementation of ISO/TR 9241-308:2008.

The UK participation in its preparation was entrusted to Technical Committee PH/9, Applied ergonomics.

A list of organizations represented on this committee can be obtained on request to its secretary.

This publication does not purport to include all the necessary provisions of a contract. Users are responsible for its correct application.

**Compliance with a British Standard cannot confer immunity from legal obligations.**

This Published Document was published under the authority of the Standards Policy and Strategy Committee on 30 September 2009

© BSI 2009

ISBN 978 0 580 57859 5

### Amendments/corrigenda issued since publication

Date	Comments

# TECHNICAL REPORT

PD ISO/TR 9241-308:2008

# ISO/TR 9241-308

First edition  
2008-11-15

---

---

## **Ergonomics of human-system interaction —**

### **Part 308: Surface-conduction electron-emitter displays (SED)**

*Ergonomie de l'interaction homme-système —*

*Partie 308: Écrans à émission d'électrons par conduction de surface  
(SED)*



Reference number  
ISO/TR 9241-308:2008(E)

© ISO 2008

**PDF disclaimer**

This PDF file may contain embedded typefaces. In accordance with Adobe's licensing policy, this file may be printed or viewed but shall not be edited unless the typefaces which are embedded are licensed to and installed on the computer performing the editing. In downloading this file, parties accept therein the responsibility of not infringing Adobe's licensing policy. The ISO Central Secretariat accepts no liability in this area.

Adobe is a trademark of Adobe Systems Incorporated.

Details of the software products used to create this PDF file can be found in the General Info relative to the file; the PDF-creation parameters were optimized for printing. Every care has been taken to ensure that the file is suitable for use by ISO member bodies. In the unlikely event that a problem relating to it is found, please inform the Central Secretariat at the address given below.



**COPYRIGHT PROTECTED DOCUMENT**

© ISO 2008

All rights reserved. Unless otherwise specified, no part of this publication may be reproduced or utilized in any form or by any means, electronic or mechanical, including photocopying and microfilm, without permission in writing from either ISO at the address below or ISO's member body in the country of the requester.

ISO copyright office  
Case postale 56 • CH-1211 Geneva 20  
Tel. + 41 22 749 01 11  
Fax + 41 22 749 09 47  
E-mail [copyright@iso.org](mailto:copyright@iso.org)  
Web [www.iso.org](http://www.iso.org)

Published in Switzerland

## Contents

Page

<b>Foreword</b> .....	<b>iv</b>
<b>Introduction</b> .....	<b>vi</b>
<b>1 Scope</b> .....	<b>1</b>
<b>2 Terms, definitions, symbols and abbreviated terms</b> .....	<b>1</b>
<b>3 SED technology</b> .....	<b>2</b>
<b>4 SED product information</b> .....	<b>6</b>
<b>5 Intended context of use</b> .....	<b>6</b>
<b>6 Guidelines for assessment</b> .....	<b>7</b>
<b>7 Conclusion</b> .....	<b>8</b>
<b>Annex A (informative) Overview of the ISO 9241 series</b> .....	<b>9</b>
<b>Bibliography</b> .....	<b>13</b>

## Foreword

ISO (the International Organization for Standardization) is a worldwide federation of national standards bodies (ISO member bodies). The work of preparing International Standards is normally carried out through ISO technical committees. Each member body interested in a subject for which a technical committee has been established has the right to be represented on that committee. International organizations, governmental and non-governmental, in liaison with ISO, also take part in the work. ISO collaborates closely with the International Electrotechnical Commission (IEC) on all matters of electrotechnical standardization.

International Standards are drafted in accordance with the rules given in the ISO/IEC Directives, Part 2.

The main task of technical committees is to prepare International Standards. Draft International Standards adopted by the technical committees are circulated to the member bodies for voting. Publication as an International Standard requires approval by at least 75 % of the member bodies casting a vote.

In exceptional circumstances, when a technical committee has collected data of a different kind from that which is normally published as an International Standard ("state of the art", for example), it may decide by a simple majority vote of its participating members to publish a Technical Report. A Technical Report is entirely informative in nature and does not have to be reviewed until the data it provides are considered to be no longer valid or useful.

Attention is drawn to the possibility that some of the elements of this document may be the subject of patent rights. ISO shall not be held responsible for identifying any or all such patent rights.

ISO/TR 9241-308 was prepared by Technical Committee ISO/TC 159, *Ergonomics*, Subcommittee SC 4, *Ergonomics of human-system interaction*.

ISO 9241 consists of the following parts, under the general title *Ergonomic requirements for office work with visual display terminals (VDTs)*:

- *Part 1: General introduction*
- *Part 2: Guidance on task requirements*
- *Part 4: Keyboard requirements*
- *Part 5: Workstation layout and postural requirements*
- *Part 6: Guidance on the work environment*
- *Part 9: Requirements for non-keyboard input devices*
- *Part 11: Guidance on usability*
- *Part 12: Presentation of information*
- *Part 13: User guidance*
- *Part 14: Menu dialogues*
- *Part 15: Command dialogues*
- *Part 16: Direct manipulation dialogues*
- *Part 17: Form filling dialogues*

ISO 9241 also consists of the following parts, under the general title *Ergonomics of human-system interaction*:

- *Part 20: Accessibility guidelines for information/communication technology (ICT) equipment and services*
- *Part 110: Dialogue principles*
- *Part 151: Guidance on World Wide Web user interfaces*
- *Part 171: Guidance on software accessibility*
- *Part 300: Introduction to electronic visual display requirements*
- *Part 302: Terminology for electronic visual displays*
- *Part 303: Requirements for electronic visual displays*
- *Part 304: User performance test methods for electronic visual displays*
- *Part 305: Optical laboratory test methods for electronic visual displays*
- *Part 306: Field assessment methods for electronic visual displays*
- *Part 307: Analysis and compliance test methods for electronic visual displays*
- *Part 308: Surface-conduction electron-emitter displays (SED) [Technical Report]*
- *Part 309: Organic light-emitting diode (OLED) displays [Technical Report]*
- *Part 400: Principles and requirements for physical input devices*
- *Part 410: Design criteria for physical input devices*
- *Part 920: Guidance on tactile and haptic interactions*

For the other parts under preparation, see Annex A.

## Introduction

This part of ISO 9241 introduces surface-conduction electron-emitter display (SED) technology into the ISO 9241 series and international ergonomics standardization (it is not yet addressed in ISO 9241-307, for instance, or in other ergonomics standards), and has been developed as a set of initial guidelines for the assessment of the ergonomic properties of SED-based products.

Compared with other display technologies, the ergonomic advantages of SED are

- isotropic behaviour of emission of light like that of CRT (cathode ray tube) technology,
- no curvature, unlike CRT technology,
- fast response time, like CRT technology, and
- a uniform and sharp focus on the entire screen as with LCD (liquid crystal display) and PDP (plasma display panel) technologies.

The currently known disadvantages of SED are

- limited display size, from 36 inch upwards (with the potential in the future for smaller display size), and
- fixed resolution compared with CRT technology.

In relation to the ergonomic requirements given in ISO 9241-303 and compared with (for example) CRT, no other specific health aspects or disadvantages of SED technology had been identified at the time of publication of this part of ISO 9241.



# Ergonomics of human-system interaction —

## Part 308:

# Surface-conduction electron-emitter displays (SED)

## 1 Scope

This part of ISO 9241 gives guidelines for surface-conduction electron-emitter displays (SED).

## 2 Terms, definitions, symbols and abbreviated terms

For the purposes of this document, the following term and definition, symbols and abbreviated terms apply.

### 2.1

#### surface-conduction electron-emitter display

#### SED

emissive visual display for direct view

NOTE See Reference [1].

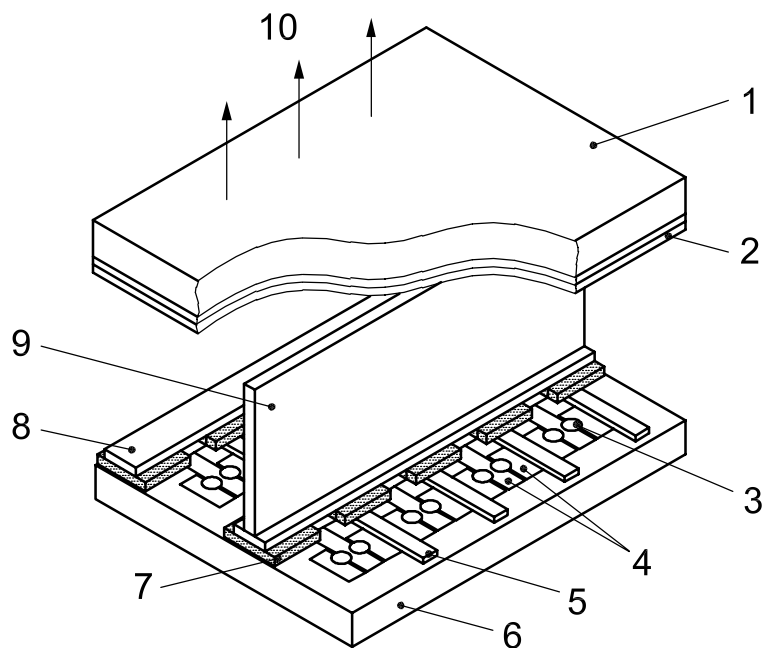
### 2.2 Symbols and abbreviated terms

$A_{\text{scan}}$	amplitude of scan signal
$A_{\text{sig}}$	amplitude of pulse width modulation signal
$D_{\text{design,view}}$	design viewing distance
$d$	distance between rear and face plates
$W_{\text{view}}$	horizontal display size (width of active display area)
$H_{\text{view}}$	vertical display size (height of active display area)
$I_{\text{e}}$	emission current
$V_{\text{a}}$	anode voltage
$V_{\text{f}}$	driving voltage
AR	anti-reflective
BM	black matrix
CRT	cathode ray tube
LCD	liquid crystal display
PDP	plasma display panel
RD	residual dispersion
SCE	surface-conduction electron-emitter

### 3 SED technology

#### 3.1 General

The SED panel has a structure as shown in Figure 1. It consists of three main parts: rear plate, face plate and spacers. The spacers allow a vacuum without change in the confined space and are arranged at an appropriate distance,  $d$ , between the rear and face plates, the accuracy of this distance having no effect on the SED's visual ergonomics.

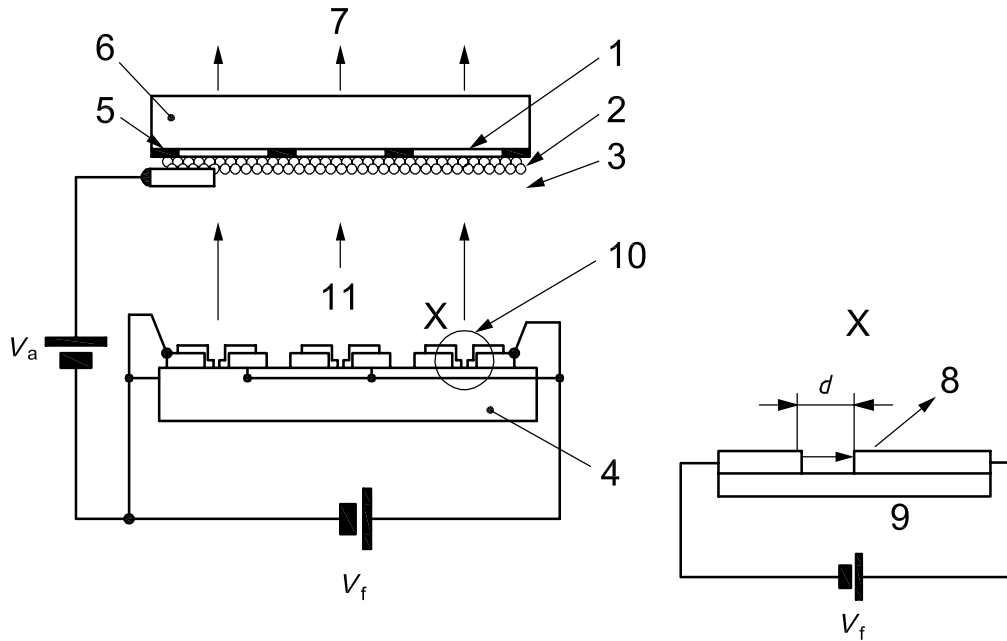


#### Key

- |                             |                 |
|-----------------------------|-----------------|
| 1 face plate                | 6 rear plate    |
| 2 phosphors/metal back film | 7 insulator     |
| 3 electron emitter          | 8 scanning wire |
| 4 electrode                 | 9 spacer        |
| 5 signal wire               | 10 luminescence |

Figure 1 — SED panel structure

Electrons emitted from surface-conduction electron-emitters (SCE) (see Figures 2 and 3) at a driving voltage,  $V_f$ , biased between a pair of electrodes, are accelerated by an anode voltage,  $V_a$ . Luminescence from phosphors is extracted through colour filters. The panel operation is summarized in Figure 2.



**Key**

- |                   |                            |
|-------------------|----------------------------|
| 1 colour filter   | 5 luminescence             |
| 2 phosphor        | 8 electron beam            |
| 3 metal back film | 9 field emission           |
| 4 rear plate      | 10 SCE                     |
| 5 black matrix    | 11 emission current, $I_e$ |
| 6 face plate      |                            |
- $d$  distance (a few nanometres)  
 $V_a$  anode voltage  
 $V_f$  driving voltage

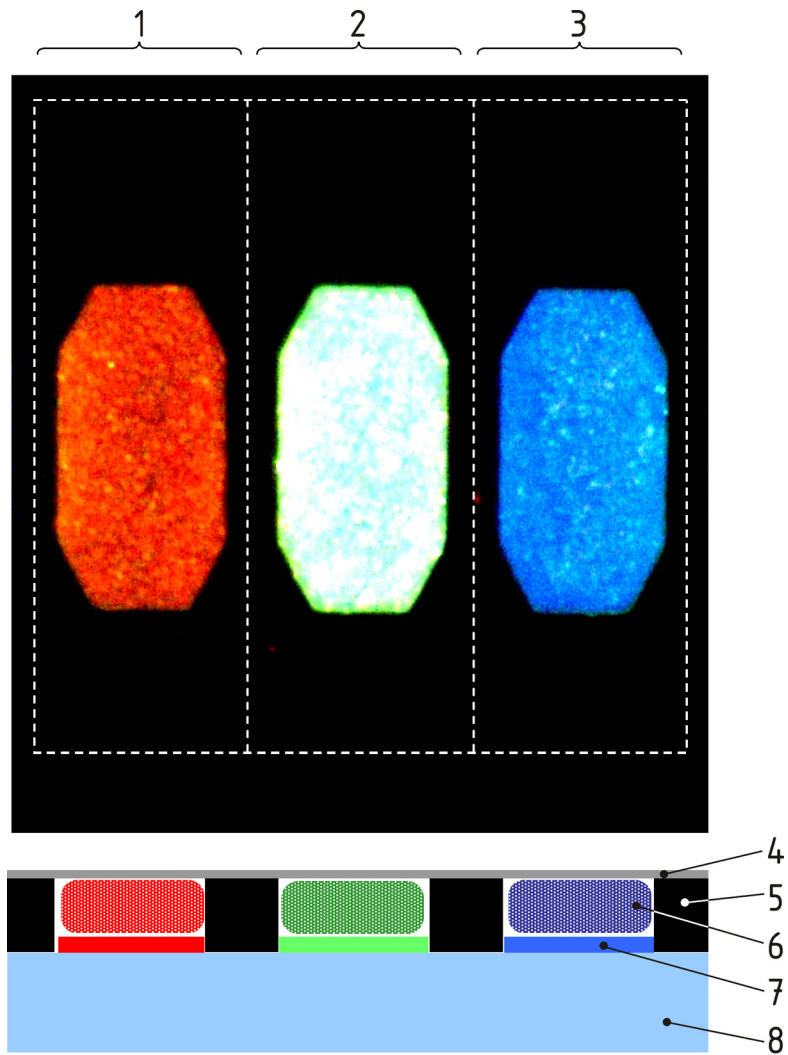
**Figure 2 — SED panel operation**

**3.2 Rear plate**

SCE, pairs of electrodes, scanning and signal wires are laid out in a matrix on a glass substrate. The emission current of the SCE is controlled only by  $V_f$  at a constant  $V_a$ . The diode mechanism of the SCE operation requires only a simple matrix structure for the emitter array.

The SED is driven by line sequential scanning, as shown in Figure 3. The scanning circuit generates the scan signal, the amplitude of which is  $A_{scan}$ , and the signal modulation circuit generates a pulse width modulation signal (amplitude,  $A_{sig}$ ) which is synchronized with the scan signal.





**Key**

- 1 red
- 2 green
- 3 blue
- 4 metal back

- 5 BM
- 6 phosphor
- 7 colour filter
- 8 face plate

**Figure 4 — BM opening pattern**

## 4 SED product information

The following are the typical physical and design data for a plot-type SED product.

- Pixel pitch horizontal/vertical: (H) 0,615 mm × (V) 0,615 mm.
- Number of pixels horizontal/vertical: (H) 1 280 × 3 × (V) 768.
- Horizontal display size,  $W_{\text{view}}$ : 787,2 mm.
- Vertical display size,  $H_{\text{view}}$ : 472,3 mm.
- Active diagonal: 918 mm (36,1 inch).
- Front: glass panel with AR treatment.

Table 1 presents the basic differences between an SED and other VDT devices.

**Table 1 — Basic differences between SED and other VDT devices**

Item	SED	CRT	LCD	PDP
<b>Emitting principle</b>	Cold-cathode luminance	Hot-cathode luminance	Back light	Photo-luminance
<b>Anode voltage</b>	10 kV	30 kV	—	—
<b>Optical performance</b>	Isotropic	Isotropic	Anisotropic	Isotropic
<b>Face plate thickness</b>	Thin	Thick glass	Thin	Thin
<b>Pixel type</b>	Fixed type	No fixed type	Fixed type	Fixed type
<b>Display method</b>	Line by line scan (impulse drive)	Scan (beam impulse)	Line by line scan (hold drive) <sup>a</sup>	Sub-frame tiling

<sup>a</sup> Typical active matrix LCD.

## 5 Intended context of use

See Table 2.

**Table 2 — Typical intended context of use for an SED product**

<b>Design screen illuminance</b>	At indoor locations up to 600 lx
<b>Illuminant</b>	CIE illuminant A and D65
<b>Content and perception</b>	Reality information: imaging of objects and scenes that do have existing originals in our world (e.g. faces, people, landscapes, etc.) in full-colour presentation <sup>a</sup>
<b>Design viewing distance</b>	$3 \times H_{\text{view}}$
<b>Design viewing direction</b>	Perpendicular
<b>Design viewing direction range</b>	Maximum angle of inclination, $\theta$ : 40°; azimuth angle, $\phi$ : 0° to 360°

<sup>a</sup> At the time of publication of this part of ISO 9241, SED products were being used mainly for “reality information”, but this can also apply to “artificial information”.

## 6 Guidelines for assessment

These guidelines are based on initial optical measurements of a SED product in an accredited optical lab, and the measurements discussed at the TÜV Rheinland Product Safety, Display Measurement Lab of Cologne, Germany.

### a) Isotropy

The isotropy of the SED was determined. The luminance at any inclination angle,  $\theta$ , less than or equal to  $40^\circ$  does not deviate by more than 12 % from the luminance measured perpendicularly. The SED therefore has optically isotropic behaviour.

As a result of this measurement, the assessment methods given in the compliance procedure for CRT display for indoor use [2] may serve as a good basis for the assessment of the SED product.

### b) Distortion on the entire screen

While flat CRT has geometrical distortion caused by the thickness difference between the face plate centre and the face plate corner, SED is a fixed pixel type display and thus has no geometrical distortion.

### c) Focusing on the display corner

Whereas flat CRT has defocus on the display corners (caused by deflection defocus), the SED is a fixed pixel type display and thus has a uniform and sharp focus over the entire screen.

### d) Motion picture

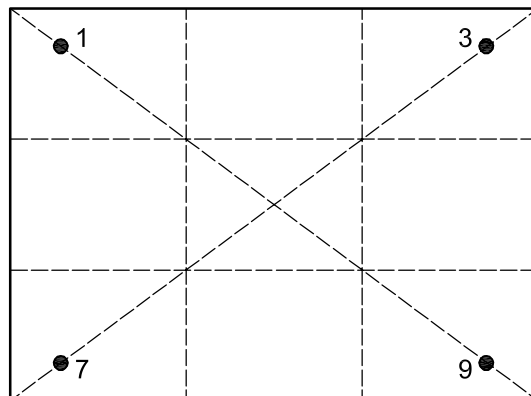
The response time of the SED is determined by the phosphor decay time. SED provides a rapid response time below 1 ms by using the same phosphor attribute as CRT and displays the picture image line by line. Therefore, the SED realizes moving images without blur.

### e) Specific items

Additional specific items to be considered for SED products are given in Table 3, related to the assessment methods specified in ISO 9241-307.

**Table 3 — Additional items to be considered for SED**

Item	Consideration
Design viewing distance, $D_{\text{design,view}}$	For aspect ratio 16:9, consider ITU-R BT.710 <sup>[5]</sup> : $D_{\text{design,view}} = 3H_{\text{view}}$
Measurement locations	The standard measurement locations, 1, 3, 7 and 9 (see Figure 5), are at the locations on the diagonals that are 10 % of the diagonal length in from the corners of the addressable area of the display as defined in ISO 9241-3.
The picture elements (pixels) of SED are arranged in a matrix.	Geometric distortions are not applicable. Pixel faults have to be considered.
SED do not require electronic beam deflection.	Colour misconvergence is not applicable.



**Figure 5 — Measurement locations for SED**

**f) Other items**

For all other items, such as luminance, contrast and luminance non-uniformity, it can be shown that the measurement methodology specified in ISO 9241-307 for CRT displays for indoor use can also be used for SED products [4]. See Table 4.

**Table 4 — Measured values for sample SED prototype**

Item	Value measured for sample SED prototype
Luminance	Typically 430 cd/m <sup>2</sup>
Luminance non-uniformity	Typically < 1,3:1
Colour non-uniformity	Typically < 0,02
Darkroom contrast	Typically > 100 000:1
Contrast under 600 lx	Typically > 50:1
Reflectometer value RD	Approx. 0,014
Chromaticity diagram area under darkroom conditions <sup>a</sup>	Typically 38,5 %

<sup>a</sup> The total area of the CIE 1976 UCS chromaticity diagram, i.e. the complete area inside the spectrum locus as shown in a chromaticity diagram, is set to 100 %.

**7 Conclusion**

Given that there are no specific assessment methods currently available for SED products, the assessment methods specified in ISO 9241-307 for CRT displays for indoor use provide a reasonable assessment for application to SED products as well, considering the above-mentioned characteristics and items.



## Annex A (informative)

### Overview of the ISO 9241 series

This annex presents an overview of ISO 9241: its structure, subject areas and the current status of both published and projected parts, at the time of publication of this part of ISO 9241. For the latest information on the series, see: <http://isotc.iso.org/livelink/livelink?func=ll&objId=651393&objAction=browse&sort=name>.

Part no.	Subject/title	Current status
1	General introduction	International Standard (intended to be replaced by ISO/TR 9241-1 and ISO 9241-130)
2	Guidance on task requirements	International Standard
3	Visual display requirements	Replaced by the ISO 9241 "300" subseries
4	Keyboard requirements	International Standard (intended to be replaced by the ISO 9241 "400" subseries)
5	Workstation layout and postural requirements	International Standard (intended to be replaced by ISO 9241-500)
6	Guidance on the work environment	International Standard (intended to be replaced by ISO 9241-600)
7	Requirements for display with reflections	Replaced by the ISO 9241 "300" subseries
8	Requirements for displayed colours	Replaced by the ISO 9241 "300" subseries
9	Requirements for non-keyboard input devices	International Standard (intended to be replaced by the ISO 9241 "400" subseries)
11	Guidance on usability	International Standard
12	Presentation of information	International Standard (intended to be replaced by ISO 9241-111 and ISO 9241-141)
13	User guidance	International Standard (intended to be replaced by ISO 9241-124)
14	Menu dialogues	International Standard (intended to be replaced by ISO 9241-131)
15	Command dialogues	International Standard (intended to be replaced by ISO 9241-132)
16	Direct-manipulation dialogues	International Standard (intended to be replaced by ISO 9241-133)
17	Form filling dialogues	International Standard (intended to be replaced by ISO 9241-134)
20	Accessibility guidelines for information/communication technology (ICT) equipment and services	International Standard

Part no.	Subject/title	Current status
<b>Introduction</b>		
100	Introduction to software ergonomics	Planned
<b>General principles and framework</b>		
110	Dialogue principles	International Standard
111	Presentation principles	Planned to partially revise and replace ISO 9241-12
112	Multimedia principles	Planned to revise and replace ISO 14915-1
113	GUI and controls principles	Planned
<b>Presentation and support to users</b>		
121	Presentation of information	Planned
122	Media selection and combination	Planned to revise and replace ISO 14915-3
123	Navigation	Planned to partially revise and replace ISO 14915-2
124	User guidance	Planned to revise and replace ISO 9241-13
129	Individualization	Planned
<b>Dialogue techniques</b>		
130	Selection and combination of dialogue techniques	Planned to incorporate and replace ISO 9241-1:1997/Amd 1:2001
131	Menu dialogues	Planned to replace ISO 9241-14
132	Command dialogues	Planned to replace ISO 9241-15
133	Direct-manipulation dialogues	Planned to replace ISO 9241-16
134	Form-based dialogues	Planned to replace ISO 9241-17
135	Natural language dialogues	Planned
<b>Interface control components</b>		
141	Controlling groups of information (including windows)	Planned to partially replace 9241-12
142	Lists	Planned
143	Media controls	Planned to partially revise and replace ISO 14915-2
<b>Domain-specific guidance</b>		
151	Guidance on World Wide Web user interfaces	International Standard
152	Interpersonal communication	Planned
153	Virtual reality	Planned

Part no.	Subject/title	Current status
<b>Accessibility</b>		
171	Guidance on software accessibility	International Standard
<b>Human-centred design</b>		
200	Introduction to human-centred design standards	Planned
210	Human-centred design of interactive systems	Planned to revise and replace ISO 13407
<b>Process reference models</b>		
220	Human-centred lifecycle processes	Planned to revise and replace ISO/PAS 18152
<b>Methods</b>		
230	Human-centred design methods	Planned to revise and replace ISO/TR 16982
<b>Ergonomic requirements and measurement techniques for electronic visual displays</b>		
300	Introduction to electronic visual display requirements	International Standard
302	Terminology for electronic visual displays	International Standard
303	Requirements for electronic visual displays	International Standard
304	User performance test methods	International Standard
305	Optical laboratory test methods for electronic visual displays	International Standard
306	Field assessment methods for electronic visual displays	International Standard
307	Analysis and compliance test methods for electronic visual displays	International Standard
308	Surface conduction electron-emitter displays (SED)	Technical Report
309	Organic light-emitting diode (OLED) displays	Technical Report
<b>Physical input devices</b>		
400	Principles and requirements for physical input devices	International Standard
410	Design criteria for physical input devices	Under preparation
411	Laboratory test and evaluation methods for the design of physical input devices	Planned
420	Selection procedures for physical input devices	Under preparation
421	Workplace test and evaluation methods for the use of physical input devices	Planned
<b>Workstation</b>		
500	Workstation layout and postural requirements	Planned to revise and replace ISO 9241-5
<b>Work environment</b>		
600	Guidance on the work environment	Planned to revise and replace ISO 9241-6

Part no.	Subject/title	Current status
<b>Application domains</b>		
710	Introduction to ergonomic design of control centres	Planned
711	Principles for the design of control centres	Planned to revise and replace ISO 11064-1
712	Principles for the arrangement of control suites	Planned to revise and replace ISO 11064-2
713	Control room layout	Planned to revise and replace ISO 11064-3
714	Layout and dimensions of control centre workstations	Planned to revise and replace ISO 11064-4
715	Control centre displays and controls	Planned to revise and replace ISO 11064-5
716	Control room environmental requirements	Planned to revise and replace ISO 11064-6
717	Principles for the evaluation of control centres	Planned to revise and replace ISO 11064-7
<b>Tactile and haptic interactions</b>		
900	Introduction to tactile and haptic interactions	Planned
910	Framework for tactile and haptic interactions	Planned
920	Guidance on tactile and haptic interactions	Under preparation
930	Haptic and tactile interactions in multimodal environments	Planned
940	Evaluation of tactile and haptic Interactions	Planned
971	Haptic and tactile interfaces to publicly available devices	Planned

## Bibliography

- [1] *High-brightness, High-resolution, High-contrast, and Wide-gamut Features of Surface-conduction Electron-emitter Displays*. IDW, Japan. December, 2005
- [2] ISO 9241-307, *Ergonomics of human-system interaction — Part 307: Analysis and compliance test methods for electronic visual displays* <sup>1)</sup>
- [3] ISO 9241-3, *Ergonomic requirements for office work with visual display terminals (VDTs) — Part 3: Visual display requirements*
- [4] *A 36-inch WXGA Surface-conduction Electron-emitter Display (SED)*, Microoptical Group, Optical Society of Japan, JSAP
- [5] ITU-R BT.710-2, *Subjective assessment methods for image quality in high-definition television* <sup>2)</sup>

---

1) To be published.

2) International Telecommunication Union (ITU) Recommendation.

---

---

**ICS 13.180; 35.180**

Price based on 13 pages



---

## BSI - British Standards Institution

BSI is the independent national body responsible for preparing British Standards. It presents the UK view on standards in Europe and at the international level. It is incorporated by Royal Charter.

### Revisions

British Standards are updated by amendment or revision. Users of British Standards should make sure that they possess the latest amendments or editions.

It is the constant aim of BSI to improve the quality of our products and services. We would be grateful if anyone finding an inaccuracy or ambiguity while using this British Standard would inform the Secretary of the technical committee responsible, the identity of which can be found on the inside front cover. Tel: +44 (0)20 8996 9000. Fax: +44 (0)20 8996 7400.

BSI offers members an individual updating service called PLUS which ensures that subscribers automatically receive the latest editions of standards.

### Buying standards

Orders for all BSI, international and foreign standards publications should be addressed to Customer Services. Tel: +44 (0)20 8996 9001. Fax: +44 (0)20 8996 7001 Email: [orders@bsigroup.com](mailto:orders@bsigroup.com) You may also buy directly using a debit/credit card from the BSI Shop on the Website <http://www.bsigroup.com/shop>

In response to orders for international standards, it is BSI policy to supply the BSI implementation of those that have been published as British Standards, unless otherwise requested.

### Information on standards

BSI provides a wide range of information on national, European and international standards through its Library and its Technical Help to Exporters Service. Various BSI electronic information services are also available which give details on all its products and services. Contact Information Centre. Tel: +44 (0)20 8996 7111 Fax: +44 (0)20 8996 7048 Email: [info@bsigroup.com](mailto:info@bsigroup.com)

Subscribing members of BSI are kept up to date with standards developments and receive substantial discounts on the purchase price of standards. For details of these and other benefits contact Membership Administration. Tel: +44 (0)20 8996 7002 Fax: +44 (0)20 8996 7001 Email: [membership@bsigroup.com](mailto:membership@bsigroup.com)

Information regarding online access to British Standards via British Standards Online can be found at <http://www.bsigroup.com/BSOL>

Further information about BSI is available on the BSI website at <http://www.bsigroup.com>

### Copyright

Copyright subsists in all BSI publications. BSI also holds the copyright, in the UK, of the publications of the international standardization bodies. Except as permitted under the Copyright, Designs and Patents Act 1988 no extract may be reproduced, stored in a retrieval system or transmitted in any form or by any means – electronic, photocopying, recording or otherwise – without prior written permission from BSI.

This does not preclude the free use, in the course of implementing the standard, of necessary details such as symbols, and size, type or grade designations. If these details are to be used for any other purpose than implementation then the prior written permission of BSI must be obtained.

Details and advice can be obtained from the Copyright and Licensing Manager. Tel: +44 (0)20 8996 7070 Email: [copyright@bsigroup.com](mailto:copyright@bsigroup.com)