



BSI Standards Publication

## Dynamic modules

Part 6-2: Design guide — Software and hardware interfaces — Survey results

**National foreword**

This Published Document is the UK implementation of IEC/TR 62343-6-2:2013. It supersedes PD IEC/TR 62343-6-2:2009 which is withdrawn.

The UK participation in its preparation was entrusted by Technical Committee GEL/86, Fibre optics, to Subcommittee GEL/86/3, Fibre optic systems and active devices.

A list of organizations represented on this committee can be obtained on request to its secretary.

This publication does not purport to include all the necessary provisions of a contract. Users are responsible for its correct application.

© The British Standards Institution 2013.  
Published by BSI Standards Limited 2013

ISBN 978 0 580 82385 5  
ICS 33.180.01; 43.060.50

**Compliance with a British Standard cannot confer immunity from legal obligations.**

This Published Document was published under the authority of the Standards Policy and Strategy Committee on 31 August 2013.

**Amendments/corrigenda issued since publication**

Date	Text affected
------	---------------

---



# TECHNICAL REPORT

---

**Dynamic modules –  
Part 6-2: Design guide – Software and hardware interfaces – Survey results**

INTERNATIONAL  
ELECTROTECHNICAL  
COMMISSION

PRICE CODE

**P**

---

ICS 33.180.01; 43.060.50

ISBN 978-2-8322-1032-1

**Warning! Make sure that you obtained this publication from an authorized distributor.**

## CONTENTS

FOREWORD.....	3
1 Scope.....	5
2 Normative references .....	5
3 Survey outline .....	5
3.1 Survey contents.....	5
3.2 Survey conditions .....	5
4 Interface definition.....	5
5 Survey results .....	6
5.1 Types of dynamic modules.....	6
5.2 Standard of the control interface which was used in the past (supplier).....	7
5.3 Standard of the control interface that is planned to be offered from now on (supplier) .....	8
5.4 Standard of the control interface which is requested and exists (user) .....	8
5.5 Comments about the standard of a typical control interface (supplier/user) .....	9
5.6 Opinions about standardization of control interface (supplier/user).....	9
6 Priority for standardization.....	9
7 Conclusion .....	10
Annex A (informative) A summary of responses from each surveyed region.....	11
Annex B (informative) Survey results for the software/hardware interface of an optical channel monitor (OCM).....	13
B.1 Survey conditions .....	13
B.2 Questions (Q1-Q4).....	13
B.3 Survey results (Q1).....	13
B.4 Survey results (Q2).....	13
B.5 Survey results (Q3).....	14
B.6 Survey results (Q4).....	14
B.7 Conclusion.....	14
Bibliography.....	15
Figure 1 – Layer structure of dynamic module interface .....	6
Figure 2 – Feature of interface.....	10
Table 1 – Types of dynamic modules .....	7
Table 2 – Standard of the control interface which was used in the past.....	7
Table 3 – Standard of the control interface that is planned to be offered from now on .....	8
Table 4 – Standard of the control interface which is requested and exists .....	8
Table 5 – Priority for standardization .....	9
Table A.1 – HW and SW interfaces for dynamic modules (Japan) .....	11
Table A.2 – HW and SW interfaces for dynamic modules (Europe) .....	12
Table A.3 – HW and SW interfaces for dynamic modules (North America) .....	12
Table B.1 – Survey results (Q1).....	13
Table B.2 – Survey results (Q2).....	14
Table B.3 – Survey results (Q4).....	14

## INTERNATIONAL ELECTROTECHNICAL COMMISSION

---

### DYNAMIC MODULES –

#### **Part 6-2: Design guide – Software and hardware interfaces – Survey results**

#### FOREWORD

- 1) The International Electrotechnical Commission (IEC) is a worldwide organization for standardization comprising all national electrotechnical committees (IEC National Committees). The object of IEC is to promote international co-operation on all questions concerning standardization in the electrical and electronic fields. To this end and in addition to other activities, IEC publishes International Standards, Technical Specifications, Technical Reports, Publicly Available Specifications (PAS) and Guides (hereafter referred to as "IEC Publication(s)"). Their preparation is entrusted to technical committees; any IEC National Committee interested in the subject dealt with may participate in this preparatory work. International, governmental and non-governmental organizations liaising with the IEC also participate in this preparation. IEC collaborates closely with the International Organization for Standardization (ISO) in accordance with conditions determined by agreement between the two organizations.
- 2) The formal decisions or agreements of IEC on technical matters express, as nearly as possible, an international consensus of opinion on the relevant subjects since each technical committee has representation from all interested IEC National Committees.
- 3) IEC Publications have the form of recommendations for international use and are accepted by IEC National Committees in that sense. While all reasonable efforts are made to ensure that the technical content of IEC Publications is accurate, IEC cannot be held responsible for the way in which they are used or for any misinterpretation by any end user.
- 4) In order to promote international uniformity, IEC National Committees undertake to apply IEC Publications transparently to the maximum extent possible in their national and regional publications. Any divergence between any IEC Publication and the corresponding national or regional publication shall be clearly indicated in the latter.
- 5) IEC itself does not provide any attestation of conformity. Independent certification bodies provide conformity assessment services and, in some areas, access to IEC marks of conformity. IEC is not responsible for any services carried out by independent certification bodies.
- 6) All users should ensure that they have the latest edition of this publication.
- 7) No liability shall attach to IEC or its directors, employees, servants or agents including individual experts and members of its technical committees and IEC National Committees for any personal injury, property damage or other damage of any nature whatsoever, whether direct or indirect, or for costs (including legal fees) and expenses arising out of the publication, use of, or reliance upon, this IEC Publication or any other IEC Publications.
- 8) Attention is drawn to the Normative references cited in this publication. Use of the referenced publications is indispensable for the correct application of this publication.
- 9) Attention is drawn to the possibility that some of the elements of this IEC Publication may be the subject of patent rights. IEC shall not be held responsible for identifying any or all such patent rights.

The main task of IEC technical committees is to prepare International Standards. However, a technical committee may propose the publication of a technical report when it has collected data of a different kind from that which is normally published as an International Standard, for example "state of the art".

IEC 62343-6-2, which is a technical report, has been prepared by subcommittee 86C: Fibre optic systems and active devices, of IEC technical committee 86: Fibre optics.

This second edition cancels and replaces the first edition published in 2009. It constitutes a technical revision.

This edition includes the following significant technical changes with respect to the previous edition:

- a) the survey results of the software and hardware interface of OCM have been added as Annex B, which was presented at the IEC Seattle meeting in 2010. The results are in agreement with the general conclusion of the first edition.

- b) OPMON (optical performance monitor) in the body of the text has been changed to OCM (optical channel monitor) for consistency with the latest definitions.

The text of this technical report is based on the following documents:

Enquiry draft	Report on voting
86C/1124/DTR	86C/1149/RVC

Full information on the voting for the approval of this technical report can be found in the report on voting indicated in the above table.

This publication has been drafted in accordance with the ISO/IEC Directives, Part 2.

A list of all parts in the IEC 62343 series, published under the general title *Dynamic modules*, can be found on the IEC website.

The committee has decided that the contents of this publication will remain unchanged until the stability date indicated on the IEC web site under "<http://webstore.iec.ch>" in the data related to the specific publication. At this date, the publication will be

- reconfirmed,
- withdrawn,
- replaced by a revised edition, or
- amended.

A bilingual version of this publication may be issued at a later date.

## **DYNAMIC MODULES –**

### **Part 6-2: Design guide – Software and hardware interfaces – Survey results**

#### **1 Scope**

This part of IEC 62343, which is a technical report, clarifies dynamic module interfaces, which should be standardized, based on the surveys. Annex A is a summary of survey responses by region and Annex B provides survey results specific to the optical channel monitor (OCM).

The object of this technical report is to propose a software and hardware interface standard of dynamic modules. The dynamic modules addressed are defined in the IEC 62343 series.

#### **2 Normative references**

The following documents, in whole or in part, are normatively referenced in this document and are indispensable for its application. For dated references, only the edition cited applies. For undated references, the latest edition of the referenced document (including any amendments) applies.

None.

#### **3 Survey outline**

##### **3.1 Survey contents**

- a) Types of dynamic modules (supplier/user)
- b) Standard of the control interface which was dealt with in the past (supplier)
- c) Standard of the control interface which is planned to be offered from now on (supplier)
- d) Standard of the control interface which is requested and used (user)
- e) Comments about the standard of a typical control interface (supplier/user)
- f) Opinions about standardization of the control interface (supplier/user)

##### **3.2 Survey conditions**

- a) Request to 55 companies  
(81 departments: users, suppliers, representatives of suppliers)
- b) Received 28 effective replies  
Users: 12 companies  
Suppliers: 13 companies  
Both: 3 companies
- c) Survey period  
From September to October 2004

#### **4 Interface definition**

The layer structure of the interface of a dynamic module is shown in Figure 1. There are an optical component and two microprocessors for control, and there are three interfacing points: interface A, interface B and interface C.

Interface A is the electric fundamental interface portion of the core optical device and the optical component. It is, for example, analogue interface, the electric power directly impressed to a conductor or a motor. Moreover, it is thought that many proprietary specifications are changed according to the TTL/CMOS level digital interfaces with a simple conversion circuit. This interface point is defined as the fundamental interface group.

As a second interface group, there are dual port RAM and I<sup>2</sup>C, etc., which are used at interface B. These interfaces have spread widely and are adopted as standard interfaces in equipment by the system side.

The interface used at interface C is classified into a third interface group. There is a bus form, which is original with a system vendor etc., and Ethernet and PCI/compact-PCI bus are classified into this interface C.

In addition, traditional interfaces such as GP-IB and RS232C are also classified as interface C. RS485 and USB, which are considered a substitution for RS232C, are also classified into this. Since these interfaces are easy to treat for use with PC, their use has spread widely.

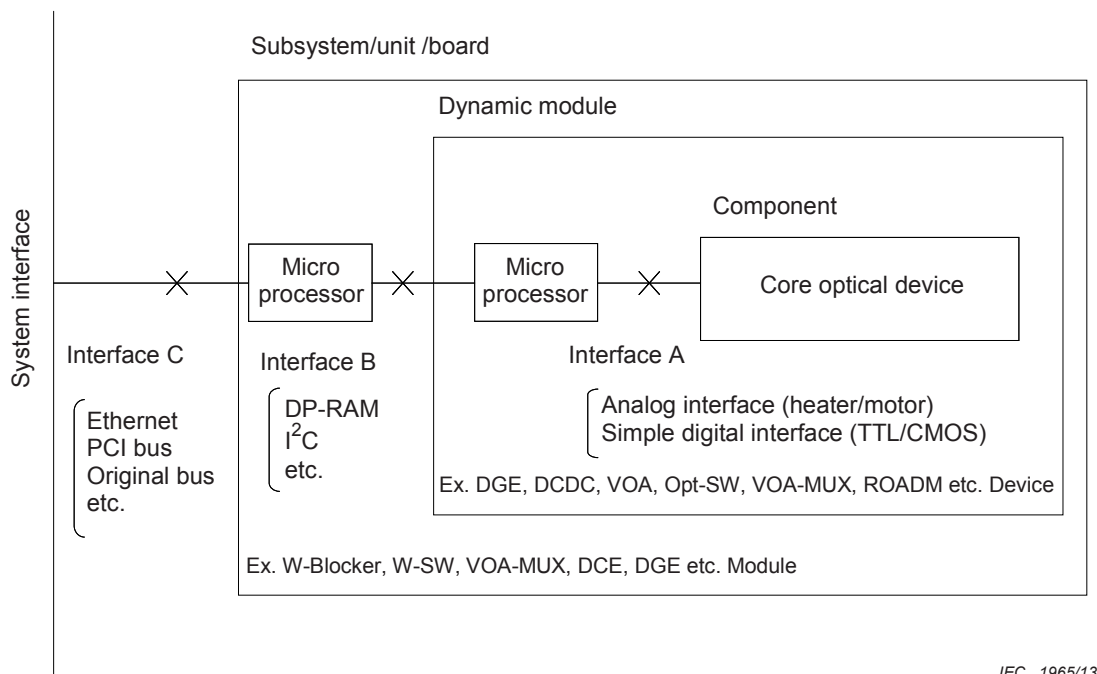


Figure 1 – Layer structure of dynamic module interface

## 5 Survey results

### 5.1 Types of dynamic modules

The survey results concerning the types of modules in current use are shown in Table 1. There are many kinds of dynamic modules such as wavelength blockers, wavelength switches and dynamic chromatic dispersion compensators (DCDC).

NOTE This survey was carried out in 2004. In early 2007, the latest information on dynamic modules was investigated. Since 2004, WSS (wavelength selective switch) has been one of the most attractive dynamic modules. It is found that the software and hardware interface of WSS is only DP-RAM. Moreover, the other dynamic modules have continued to use almost the same interfaces as those in 2004. This result is identical to the result shown in the first edition of IEC 62343-6-2.



**Table 1 – Types of dynamic modules**

Type of dynamic module	Supplier	User
Wavelength blocker (W-Blocker)	2	4
Wavelength switch (W-SW)	4	4
Variable optical attenuator-multiplexer (VOA-MUX)	4	4
Dynamic channel equalizer (DCE)	2	3
Dynamic gain equalizer (DGE) (including dynamic gain flattening filter)	4	5
Dynamic slope equalizer (DSE) (including dynamic gain tilt equalizer, variable slope attenuator)	2	3
Dynamic chromatic dispersion compensator (DCDC)	4	4
Dynamic polarization-mode dispersion compensator (DPMDC)	3	3
Tuneable filter (TF) (including dynamic bandpass filter)	4	5
Variable optical attenuator, single channel type (VOA-s)	8	11
Variable optical attenuator, array type (VOA-a)	7	5
Optical spatial switch, 1x2/2x2 (OSW-12)	7	12
Optical spatial switch, MxN, 2<M, 2<N (OSW-MN)	7	5
Reconfigurable optical add/drop multiplexers (ROADM)	5	3
Optical channel monitor (OCN)	4	6
Arrayed waveguide grating with automatic temperature control (AWG)	3	6

## 5.2 Standard of the control interface which was used in the past (supplier)

The survey results for standard of the control interface that was used in the past are shown in Table 2. Various interfaces are used for a demand from users, a proposal from suppliers, repair, support or management because no standardization exists. RS232C is mostly adopted for each reason.

**Table 2 – Standard of the control interface which was used in the past**

Interface	Number of companies	User demand	Supplier proposal	For management
Ethernet	2	3	0	0
I <sup>2</sup> C	4	3	3	0
SCSI	0	0	0	0
GP-IB	6	3	5	2
RS232C	10	5	16	4
RS485	2	1	1	1
USB	2	1	1	0
Dual port RAM	4	2	5	0
Shift register	0	0	0	0
VME bus	0	0	0	0
PCI/compact-PCI bus	1	0	1	0
TTL/CMOS proprietary spec	4	2	2	0
Analogue control	3	0	7	0
Motor controlled	4	3	3	0

### 5.3 Standard of the control interface that is planned to be offered from now on (supplier)

The standard of the control interface planned to be offered from now on by the supplier is shown in Table 3.

**Table 3 – Standard of the control interface that is planned to be offered from now on**

Interface	Number of companies	User demand	Supplier proposal	Maintain same as before
Ethernet	3	3	1	0
I <sup>2</sup> C	3	2	0	1
SCSI	0	0	0	0
GP-IB	4	2	1	2
RS232C	9	3	4	13
RS485	2	1	0	1
USB	4	1	3	0
Dual port RAM	3	1	1	4
Shift register	0	0	0	0
VME bus	0	0	0	0
PCI/Compact-PCI bus	0	0	0	0
TTL/CMOS proprietary spec	3	2	0	1
Analogue control	2	1	4	0
Motor controlled	2	0	0	4

### 5.4 Standard of the control interface which is requested and exists (user)

The survey results about the standard of the control interface that is requested and exists are shown in Table 4. There are some interfaces that no longer exist, although there remains a strong request, for example, Ethernet and I<sup>2</sup>C.

**Table 4 – Standard of the control interface which is requested and exists**

Interface	Number of companies (requested)	Number of modules (requested)	Number of companies (existing)	Number of modules (existing)
Ethernet	1	3	0	0
I <sup>2</sup> C	1	16	0	0
SCSI	0	0	0	0
GP-IB	1	16	3	11
RS232C	3	18	4	5
RS485	0	0	0	0
USB	0	0	0	0
Dual port RAM	3	20	2	4
Shift register	1	1	1	1
VME bus	0	0	0	0
PCI/compact-PCI bus	1	2	1	1
TTL/CMOS proprietary spec	7	12	7	11
Analogue control	4	7	5	9
Motor controlled	1	1	3	4

### 5.5 Comments about the standard of a typical control interface (supplier/user)

Several comments can be made about each control interface as follows:

- Dual port RAM: high-speed, flexible, intelligent, FPGA design is required
- Analogue interface is necessary for very high-speed control signal
- I2C: Easy to treat, flexible, low-speed
- RS232C: Standard interface for PC, appropriate for management or maintenance, low-speed

### 5.6 Opinions about standardization of control interface (supplier/user)

Almost all opinions agree to standardize the control interface and appreciate the standardization activities very much. However, there are still some suspicious opinions that it is very difficult to standardize the control interface.

## 6 Priority for standardization

The usage level of each dynamic module is classified into production level and research level. We can judge that the priority for standardization is high, when there are much usages of production level. From the results shown in Table 5, it can be clarified that the priority of standardization of VOA and OSW was high at the time we made this survey.

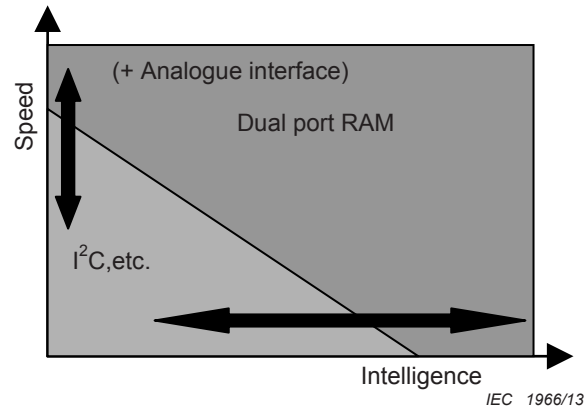
**Table 5 – Priority for standardization**

Type of dynamic module	Total	Production level	Research level	Unclear	Points
W-Blocker	4	1	1	2	2,0
W-SW	4	2	1	1	2,5
VOA-MUX	4	1	1	2	2,0
DCE	3	1	1	1	1,5
DGE	5	2	1	2	3,0
DSE	3	1	1	1	1,5
DCDC	4	2	1	1	2,5
DPMDC	3	1	1	1	1,5
TF	5	2	2	1	2,5
VOA-s	11	9	1	1	9,5
VOA-a	5	4	1	0	4,0
OSW-12	12	8	2	2	9,0
OSW-MN	5	3	1	1	3,5
ROADM	3	2	0	1	2,5
OCM	6	3	0	3	4,5
AWG	6	3	1	2	4,0

NOTE Production level = 1 point, Research level = 0 points, Unclear = 0,5 points.

## 7 Conclusion

There are three interface points in general. The second interface group, interface B, is considered the most suitable interface for standardization today. However, the suitable interface is dependent on the performance and the function of a dynamic module (Figure 2). DP-RAM is basically suitable for intelligent dynamic modules, including high-speed control. However, in some cases there are exceptions depending on the module. For example, I<sup>2</sup>C is suitable for the simple dynamic module with low speed control. Analogue interface is also required for very high-speed control signal.



**Figure 2 – Feature of interface**

There are a variety of demands, commands and parameters about software and hardware interfaces depending on the modules. In some cases, there is the possibility to use interface A or interface C.

## Annex A (informative)

### A summary of responses from each surveyed region

Tables A.1, A.2 and A.3 show the responses for HW and SW interfaces received from Japan, Europe and North America, respectively.

**Table A.1 – HW and SW interfaces for dynamic modules (Japan)**

	W-blocker	W-SW	VOA-MUX	DCE	DGE	DSE	DCDC	DPMDC	TF	VOA-s	VOA-a	OSW-12	OSW-MN	ROADM	OCM	AWG
Ethernet																
I <sup>2</sup> C																
SCSI																
GP-IB	○	○	○	○	○	○	○	○	○	○						○
RS232C		○			○										○	○
RS485																
USB																
Dual port RAM	○	○												○	○	
SPI																
Shift register												○				
VME bus																
PCI/compact-PCI bus															○	
TTL/CMOS proprietary spec										○	○	○	○	○	○	
Analogue control										○	○	○				○
Motor controlled							○			○		○				

**Table A.2 – HW and SW interfaces for dynamic modules (Europe)**

	W-blocker	W-SW	VOA-MUX	DCE	DGE	DSE	DCDC	DPMDC	TF	VOA-s	VOA-a	OSW-12, OSW-MN	ROADM	OPMON	AWG
Ethernet															
I <sup>2</sup> C	○	○	○	○	○	○	○	○	○	○	○	○	○		○
SCSI															
GP-IB															
RS232	○	○	○	○	○	○	○	○	○	○	○	○	○		○
RS485															
Dual port RAM															
SPI															
TTL/CMOS proprietary spec															
Analogue control															
Motor controlled															

**Table A.3 – HW and SW interfaces for dynamic modules (North America)**

	W-blocker	W-SW	VOA-MUX	DCE	DGE	DSE	DCDC	DPMDC	TF	VOA-s	VOA-a	OSW-12	OSW-MN	ROADM	OCM	AWG
Ethernet													○			
I <sup>2</sup> C									○				○			
SCSI																
GP-IB													○			
RS232	○	○							○	○	○	○	○			
RS485									○				○			
Dual port RAM	○	○														
SPI													○			
TTL/CMOS proprietary spec												○				
Analogue control									○	○	○					
Motor controlled									○			○				

## Annex B (informative)

### Survey results for the software/hardware interface of an optical channel monitor (OCM)

#### B.1 Survey conditions

Four questions were asked of 39 companies, including representatives of foreign companies; replies were received from 9 suppliers and 7 users.

#### B.2 Questions (Q1-Q4)

- Q1. The interface of OCM that is currently supplied or was supplied (customer demand, supplier proposal, for management).
- Q2. The future interface of OCM (customer demand, supplier proposal, maintain same as before, standard).
- Q3. The pin assignment and the function of OCM, which is already adopted, or any appropriate specification to standardize regardless of the presence of the products.
- Q4. The interface of OCM, which is used and any appropriate interface to standardize (requested, supplied, standard).

#### B.3 Survey results (Q1)

Table B.1 shows the survey results for Question 1.

Table B.1 – Survey results (Q1)

	Customer demand	Supplier proposal	For management
Dual port RAM	5	2	0
GP-IB	1	0	0
I <sup>2</sup> C	3	1	0
RS232	4	4	1
RS485	0	0	0
TTL/CMOS proprietary spec	0	1	0
USB	1	3	0
Analogue readout	1	3	0
Others	1 UART	1 UART	1 UART

#### B.4 Survey results (Q2)

Table B.2 shows the survey results for Question 2.

**Table B.2 – Survey results (Q2)**

	Customer demand	Supplier proposal	Maintain same as before	Standard
Dual port RAM	3	1	3	2
GP-IB	1	0	0	0
I2C	5	1	0	1
RS232	2	3	4	1
RS485	0	0	0	0
TTL/CMOS proprietary spec	1	0	0	0
USB	2	1	1	1
Analogue readout	1	1	2	0
Others	1 UART	1 UART	1 UART	1 UART

### B.5 Survey results (Q3)

Detailed information was provided by four companies. Three companies use dual port RAM with 16-bit data bus. The other uses RS232. It will be very difficult to make an agreement to unify their specifications.

### B.6 Survey results (Q4)

Table B.3 shows the survey results for Question 4.

**Table B.3 – Survey results (Q4)**

	Requested	Supplied	Standard
Dual port RAM	8	7	8
GP-IB	3	2	2
I <sup>2</sup> C	4	2	3
RS232	9	12	5
RS485	0	0	1
TTL/CMOS proprietary spec	1	1	1
USB	3	3	3
Analogue readout	2	0	0
Others	3 UART, LAN, SNMP	2 UART, LAN	3 UART, LAN, DVI/HDMI

### B.7 Conclusion

The survey results of OCM show close agreement with the general survey results, as shown in the body of this technical report.



## Bibliography

IEC 62343, *Dynamic modules and devices – General and guidance*

---





# British Standards Institution (BSI)

BSI is the national body responsible for preparing British Standards and other standards-related publications, information and services.

BSI is incorporated by Royal Charter. British Standards and other standardization products are published by BSI Standards Limited.

## About us

We bring together business, industry, government, consumers, innovators and others to shape their combined experience and expertise into standards-based solutions.

The knowledge embodied in our standards has been carefully assembled in a dependable format and refined through our open consultation process. Organizations of all sizes and across all sectors choose standards to help them achieve their goals.

## Information on standards

We can provide you with the knowledge that your organization needs to succeed. Find out more about British Standards by visiting our website at [bsigroup.com/standards](http://bsigroup.com/standards) or contacting our Customer Services team or Knowledge Centre.

## Buying standards

You can buy and download PDF versions of BSI publications, including British and adopted European and international standards, through our website at [bsigroup.com/shop](http://bsigroup.com/shop), where hard copies can also be purchased.

If you need international and foreign standards from other Standards Development Organizations, hard copies can be ordered from our Customer Services team.

## Subscriptions

Our range of subscription services are designed to make using standards easier for you. For further information on our subscription products go to [bsigroup.com/subscriptions](http://bsigroup.com/subscriptions).

With **British Standards Online (BSOL)** you'll have instant access to over 55,000 British and adopted European and international standards from your desktop. It's available 24/7 and is refreshed daily so you'll always be up to date.

You can keep in touch with standards developments and receive substantial discounts on the purchase price of standards, both in single copy and subscription format, by becoming a **BSI Subscribing Member**.

**PLUS** is an updating service exclusive to BSI Subscribing Members. You will automatically receive the latest hard copy of your standards when they're revised or replaced.

To find out more about becoming a BSI Subscribing Member and the benefits of membership, please visit [bsigroup.com/shop](http://bsigroup.com/shop).

With a **Multi-User Network Licence (MUNL)** you are able to host standards publications on your intranet. Licences can cover as few or as many users as you wish. With updates supplied as soon as they're available, you can be sure your documentation is current. For further information, email [bsmusales@bsigroup.com](mailto:bsmusales@bsigroup.com).

## BSI Group Headquarters

389 Chiswick High Road London W4 4AL UK

## Revisions

Our British Standards and other publications are updated by amendment or revision.

We continually improve the quality of our products and services to benefit your business. If you find an inaccuracy or ambiguity within a British Standard or other BSI publication please inform the Knowledge Centre.

## Copyright

All the data, software and documentation set out in all British Standards and other BSI publications are the property of and copyrighted by BSI, or some person or entity that owns copyright in the information used (such as the international standardization bodies) and has formally licensed such information to BSI for commercial publication and use. Except as permitted under the Copyright, Designs and Patents Act 1988 no extract may be reproduced, stored in a retrieval system or transmitted in any form or by any means – electronic, photocopying, recording or otherwise – without prior written permission from BSI. Details and advice can be obtained from the Copyright & Licensing Department.

## Useful Contacts:

### Customer Services

**Tel:** +44 845 086 9001

**Email (orders):** [orders@bsigroup.com](mailto:orders@bsigroup.com)

**Email (enquiries):** [cservices@bsigroup.com](mailto:cservices@bsigroup.com)

### Subscriptions

**Tel:** +44 845 086 9001

**Email:** [subscriptions@bsigroup.com](mailto:subscriptions@bsigroup.com)

### Knowledge Centre

**Tel:** +44 20 8996 7004

**Email:** [knowledgecentre@bsigroup.com](mailto:knowledgecentre@bsigroup.com)

### Copyright & Licensing

**Tel:** +44 20 8996 7070

**Email:** [copyright@bsigroup.com](mailto:copyright@bsigroup.com)



...making excellence a habit.™