



BSI Standards Publication

# Terminal units for high flow anaesthetic gas scavenging systems – Specification for probes and type-specific connection points

### **Publishing and copyright information**

The BSI copyright notice displayed in this document indicates when the document was last issued.

© BSI 2011

ISBN 978 0 580 67853 0

ICS 11.040.10

The following BSI references relate to the work on this standard:

Committee reference CH/121/6

Draft for comment 09/30203720 DC

### **Publication history**

First published, March 2011

### **Amendments issued since publication**

<b>Date</b>	<b>Text affected</b>
-------------	----------------------

---

## Contents

Foreword *ii*

1	Scope	1
2	Normative references	1
3	Terms and definitions	1
4	General requirements	1
5	Dimensions of probe and type-specific connection point	1
6	Marking, colour coding and packaging	1
7	Information to be supplied by the manufacturer	2

### List of figures

Figure 1	– Dimensions of probe, nut and O ring	3
Figure 2	– Dimensions of type-specific connection point	6

### Summary of pages

This document comprises a front cover, an inside front cover, pages i to ii, pages 1 to 6, an inside back cover and a back cover.

## Foreword

### Publishing information

This British Standard is published by BSI and came into effect on 31 March 2011. It was prepared by Subcommittee CH/121/6, *Medical gas supply systems*, under the authority of Technical Committee CH/121, *Anaesthetic and respiratory equipment*. A list of organizations represented on these committees can be obtained on request to their secretary.

### Relationship with other publications

Terminal units for anaesthetic gas scavenging systems are specified in BS EN ISO 9170-2, which was written with the intention that national standards would be in place to specify the dimensions of the terminal units for high flow gas scavenging systems. Such high flow systems are standard in the UK and the dimensions were previously given in BS 6834 which was withdrawn on publication of BS EN 737-4:1998, and which in turn has been superseded by BS EN ISO 9170-2. This British Standard has been prepared to specify the dimensions of the probes and type-specific connection points for terminal units for these systems.

### Presentational conventions

The provisions of this standard are presented in roman (i.e. upright) type. Its requirements are expressed in sentences in which the principal auxiliary verb is "shall".

*Commentary, explanation and general informative material is presented in smaller italic type, and does not constitute a normative element.*

### Contractual and legal considerations

This publication does not purport to include all the necessary provisions of a contract. Users are responsible for its correct application.

**Compliance with a British Standard cannot confer immunity from legal obligations.**

## 1 Scope

This British Standard specifies the dimensions for probes and type-specific connection points for terminal units for high flow anaesthetic gas scavenging systems (AGSS).

## 2 Normative references

The following referenced documents are indispensable for the application of this document. For dated references, only the edition cited applies. For undated references, the latest edition of the referenced document (including any amendments) applies.

BS 3643-1:2007, *ISO metric screw threads – Part 1: Principles and basic data*

BS 3643-2:2007, *ISO metric screw threads – Part 2: Specification for selected limits of size*

BS EN ISO 9170-2:2008, *Terminal units for medical gas pipeline systems – Part 2: Terminal units for anaesthetic gas scavenging systems*

## 3 Terms and definitions

For the purposes of this British Standard the terms and definitions given in BS EN ISO 9170-2:2008 apply.

## 4 General requirements

The safety, materials, design and construction of the terminal unit shall be in accordance with BS EN ISO 9170-2:2008.

## 5 Dimensions of probe and type-specific connection point

The dimensions of the probe and the type-specific connection point shall be as shown in Figure 1 and Figure 2, respectively.

## 6 Marking, colour coding and packaging

### 6.1 Marking

Marking shall be in accordance with BS EN ISO 9170-2:2008.

In addition, the marking shall include the number and date of this British Standard, i.e. BS 8532:2011<sup>1)</sup>.

---

<sup>1)</sup> Marking BS 8532:2011 on or in relation to a product represents a manufacturer's declaration of conformity, i.e. a claim by or on behalf of the manufacturer that the product meets the requirements of the standard. The accuracy of the claim is solely the claimant's responsibility. Such a declaration is not to be confused with third-party certification of conformity.

## 6.2 Colour coding

The type-specific connection point shall be colour coded. The colour shall be divided into quadrants, coloured alternately blue (RAL 5010) and yellow (RAL 1018).

## 6.3 Packaging

Packaging shall be in accordance with BS EN ISO 9170-2:2008.

# 7 Information to be supplied by the manufacturer

The information to be supplied by the manufacturer shall be in accordance with BS EN ISO 9170-2:2008.

Figure 1 Dimensions of probe, nut and O ring

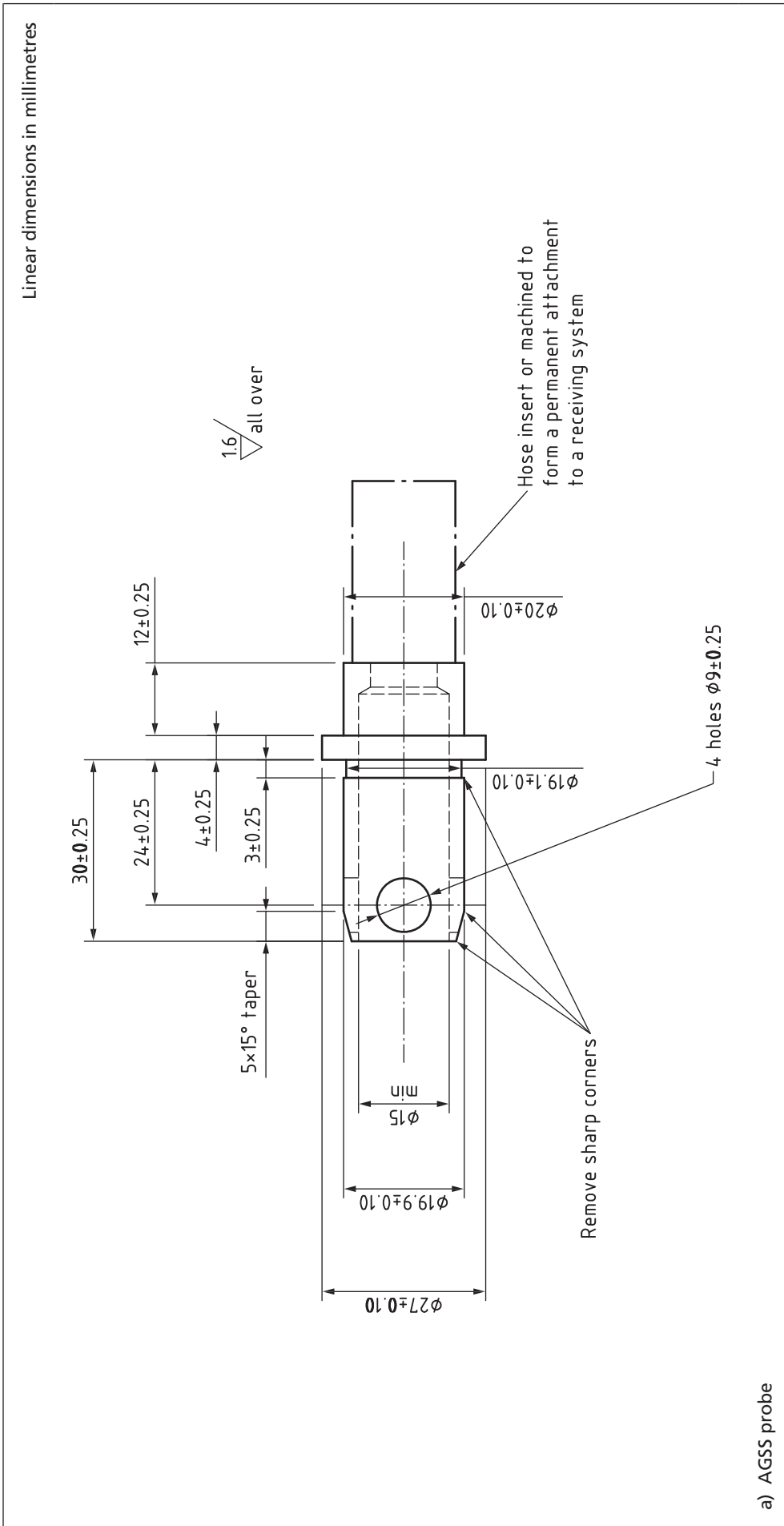


Figure 1 Dimensions of probe, nut and O ring (continued)

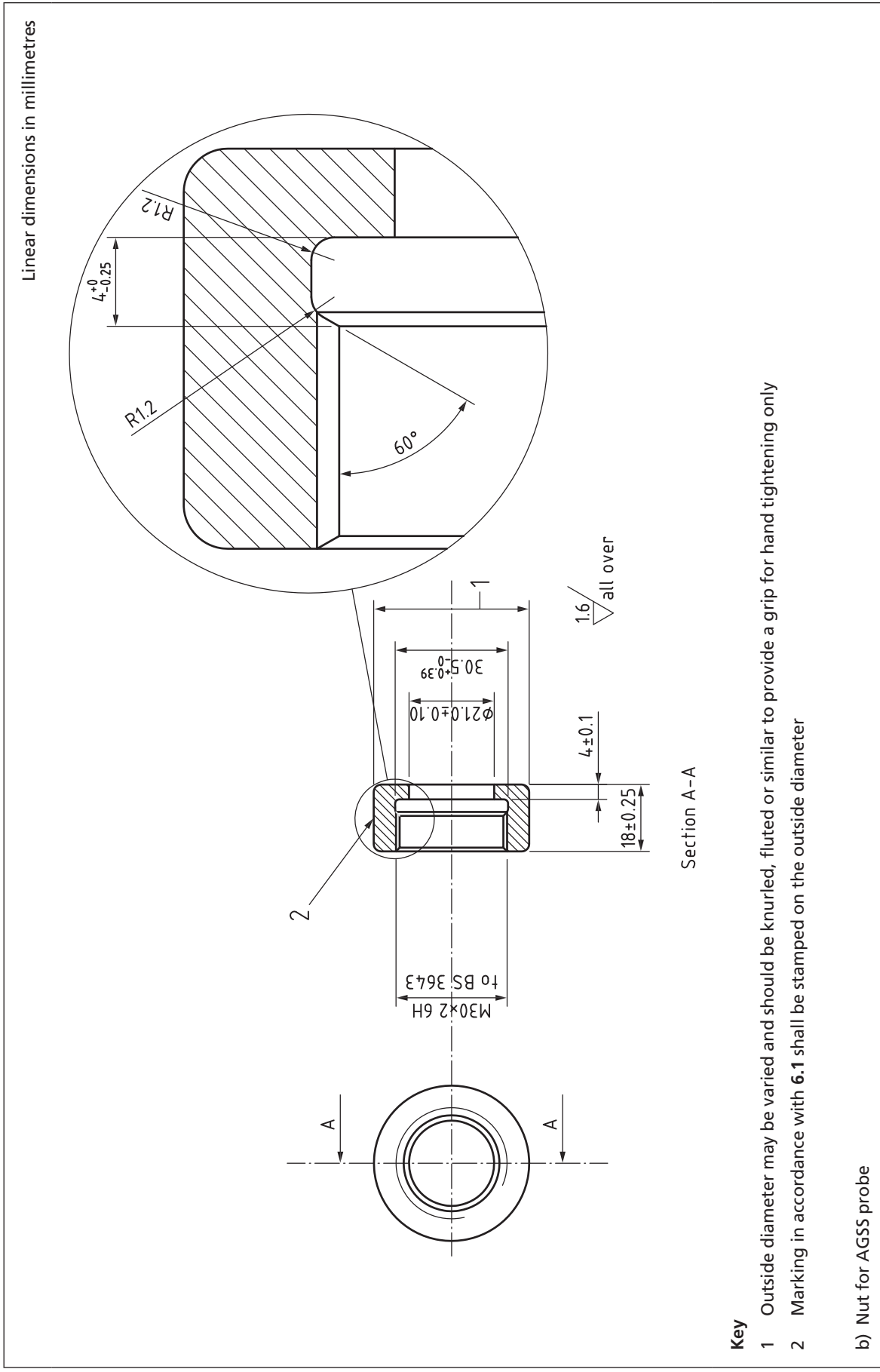




Figure 1 Dimensions of probe, nut and O ring (continued)

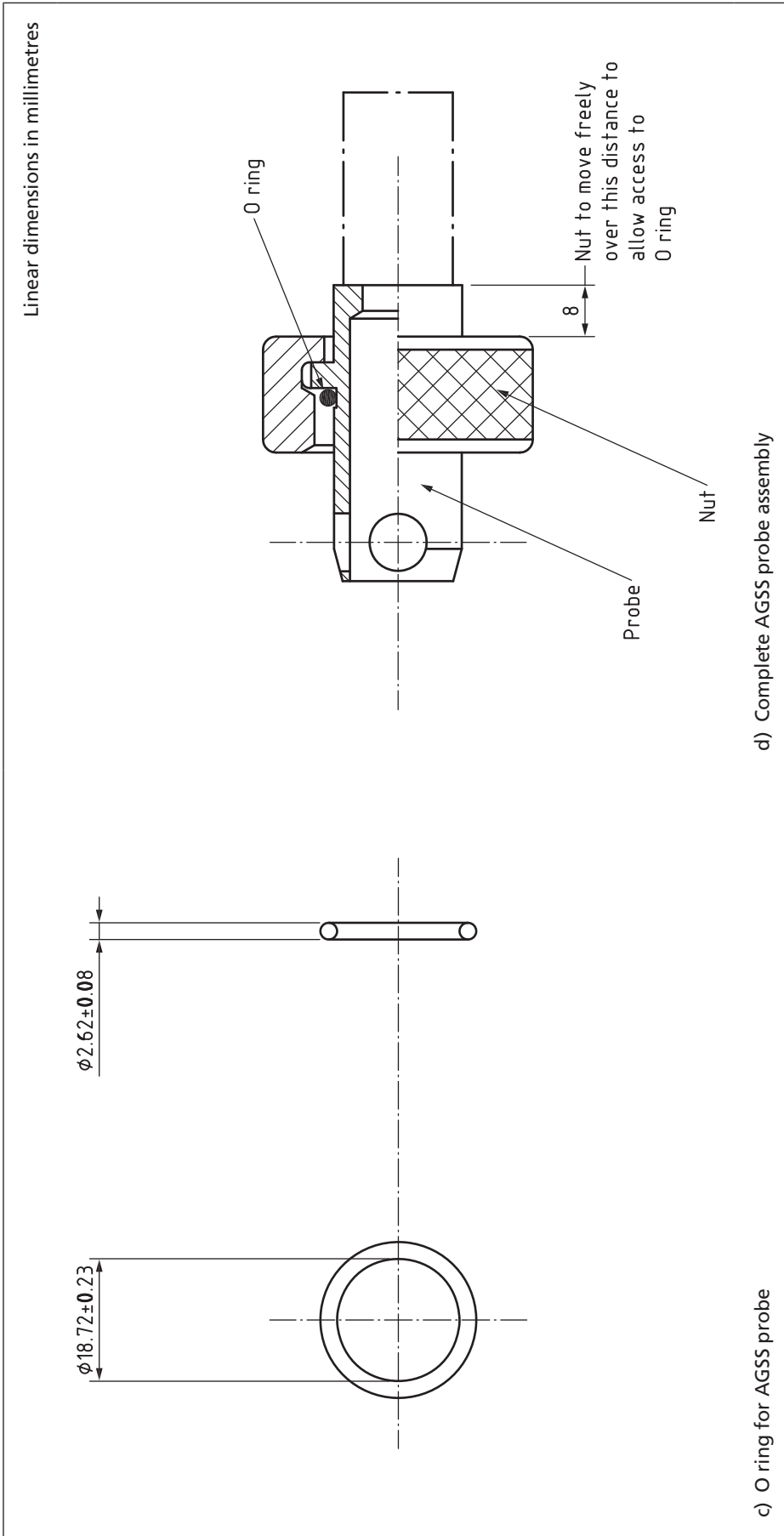
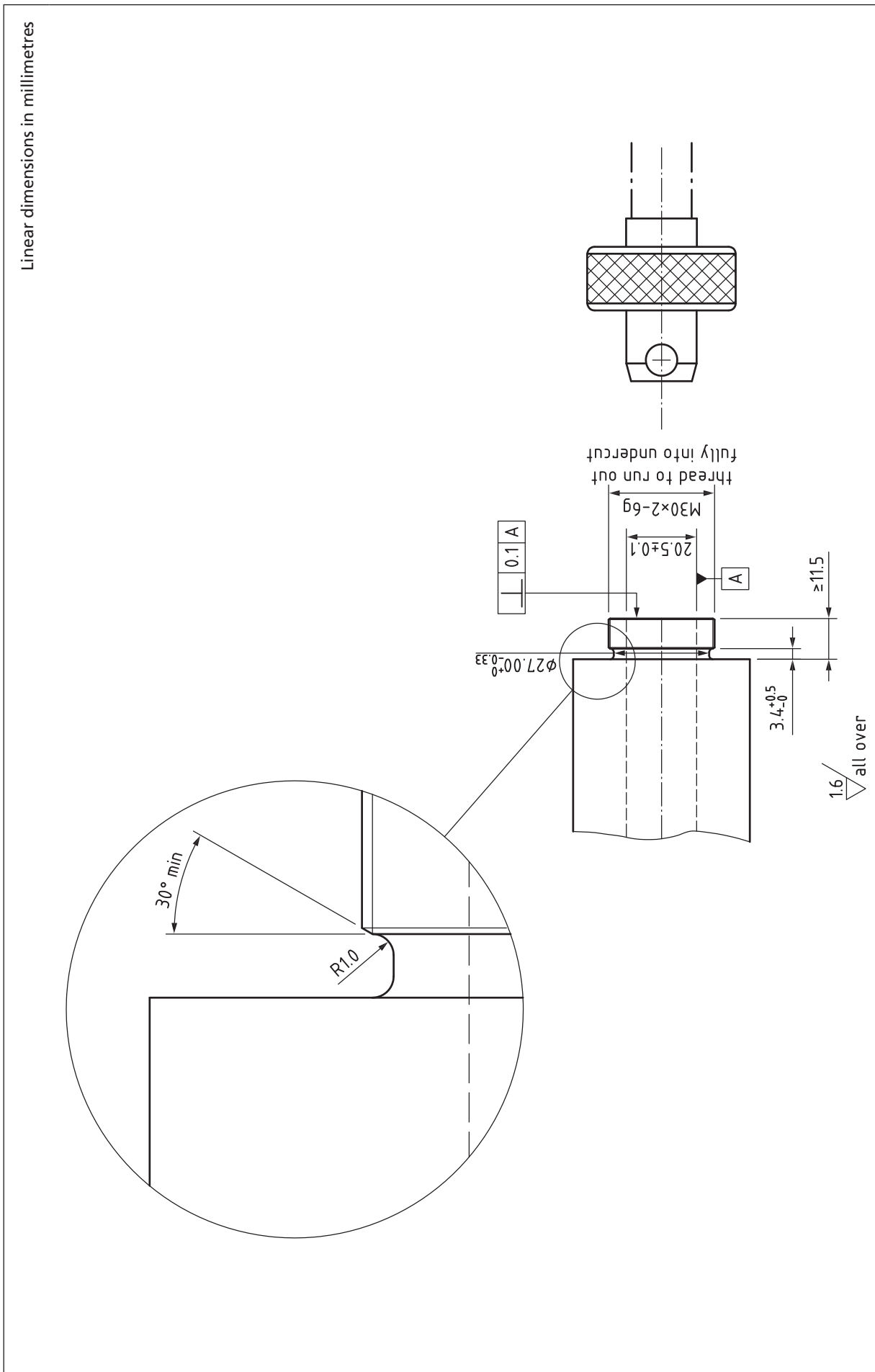


Figure 2 Dimensions of type-specific connection point





# British Standards Institution (BSI)

BSI is the national body responsible for preparing British Standards and other standards-related publications, information and services.

BSI is incorporated by Royal Charter. British Standards and other standardization products are published by BSI Standards Limited.

## About us

We bring together business, industry, government, consumers, innovators and others to shape their combined experience and expertise into standards-based solutions.

The knowledge embodied in our standards has been carefully assembled in a dependable format and refined through our open consultation process. Organizations of all sizes and across all sectors choose standards to help them achieve their goals.

## Information on standards

We can provide you with the knowledge that your organization needs to succeed. Find out more about British Standards by visiting our website at [bsigroup.com/standards](http://bsigroup.com/standards) or contacting our Customer Services team or Knowledge Centre.

## Buying standards

You can buy and download PDF versions of BSI publications, including British and adopted European and international standards, through our website at [bsigroup.com/shop](http://bsigroup.com/shop), where hard copies can also be purchased.

If you need international and foreign standards from other Standards Development Organizations, hard copies can be ordered from our Customer Services team.

## Subscriptions

Our range of subscription services are designed to make using standards easier for you. For further information on our subscription products go to [bsigroup.com/subscriptions](http://bsigroup.com/subscriptions).

With **British Standards Online (BSOL)** you'll have instant access to over 55,000 British and adopted European and international standards from your desktop. It's available 24/7 and is refreshed daily so you'll always be up to date.

You can keep in touch with standards developments and receive substantial discounts on the purchase price of standards, both in single copy and subscription format, by becoming a **BSI Subscribing Member**.

**PLUS** is an updating service exclusive to BSI Subscribing Members. You will automatically receive the latest hard copy of your standards when they're revised or replaced.

To find out more about becoming a BSI Subscribing Member and the benefits of membership, please visit [bsigroup.com/shop](http://bsigroup.com/shop).

With a **Multi-User Network Licence (MUNL)** you are able to host standards publications on your intranet. Licences can cover as few or as many users as you wish. With updates supplied as soon as they're available, you can be sure your documentation is current. For further information, email [bsmusales@bsigroup.com](mailto:bsmusales@bsigroup.com).

## Revisions

Our British Standards and other publications are updated by amendment or revision.

We continually improve the quality of our products and services to benefit your business. If you find an inaccuracy or ambiguity within a British Standard or other BSI publication please inform the Knowledge Centre.

## Copyright

All the data, software and documentation set out in all British Standards and other BSI publications are the property of and copyrighted by BSI, or some person or entity that owns copyright in the information used (such as the international standardization bodies) and has formally licensed such information to BSI for commercial publication and use. Except as permitted under the Copyright, Designs and Patents Act 1988 no extract may be reproduced, stored in a retrieval system or transmitted in any form or by any means – electronic, photocopying, recording or otherwise – without prior written permission from BSI. Details and advice can be obtained from the Copyright & Licensing Department.

## Useful Contacts:

### Customer Services

**Tel:** +44 845 086 9001

**Email (orders):** [orders@bsigroup.com](mailto:orders@bsigroup.com)

**Email (enquiries):** [cservices@bsigroup.com](mailto:cservices@bsigroup.com)

### Subscriptions

**Tel:** +44 845 086 9001

**Email:** [subscriptions@bsigroup.com](mailto:subscriptions@bsigroup.com)

### Knowledge Centre

**Tel:** +44 20 8996 7004

**Email:** [knowledgecentre@bsigroup.com](mailto:knowledgecentre@bsigroup.com)

### Copyright & Licensing

**Tel:** +44 20 8996 7070

**Email:** [copyright@bsigroup.com](mailto:copyright@bsigroup.com)

## BSI Group Headquarters

389 Chiswick High Road London W4 4AL UK



...making excellence a habit.™