

Building construction — Stairs —

**Part 2: Modular co-ordination:
Specification for co-ordinating
dimensions for stairs and stair
openings**

UDC 69.026:721.013:006.015.3

Cooperating organizations

The Miscellaneous Standards for Building Committee, under whose direction this British Standard was prepared, consists of representatives from the following Government departments and scientific and industrial organizations:

Aluminium Federation
 British Association of Removers Limited
 British Precast Concrete Federation Ltd.
 British Woodworking Federation
 Department of the Environment, Building Research Establishment
 (Princes Risborough Laboratory)
 Department of the Environment, Housing and Construction
 Department of the Environment, Interdepartmental Construction
 Development Group
 Greater London Council
 Institution of Structural Engineers
 Joinery Managers' Association Ltd.
 Modular Society Limited
 National Federation of Building Trades Employers
 National House-building Council
 Royal Institute of British Architects
 Scottish Development Department

This British Standard, having been prepared under the direction of the Miscellaneous Standards for Building Committee, was published under the authority of the Executive Board on 28 April 1978

© BSI 03-1999

The following BSI references relate to the work on this standard:
 Committee reference B/108
 Draft for comment 75/12675 DC

ISBN 0 580 10073 1

Amendments issued since publication

Amd. No.	Date of issue	Comments

Contents

	Page
Cooperating organizations	Inside front cover
National foreword	ii
<hr/>	
1 Scope and field of application	1
2 References	1
3 Definitions	1
4 Specifications	1
5 Application	2
<hr/>	
Figure 1	1
Figure 2	2
<hr/>	

National foreword

This Part of this British Standard is identical with ISO 3881-1977 “*Building construction — Modular co-ordination — Stairs and stair openings — Co-ordinating dimensions*”, which was prepared by Technical Committee 59, Building Construction, of the International Organization for Standardization (ISO).

Further Parts of BS 5578 will be published, subject to approval by the United Kingdom, as related international standards become available. Part 1 “Vocabulary” is published simultaneously with Part 2.

Terminology and conventions. The text of the international standard has been approved as suitable for publication, without deviation, as a British Standard. Some terminology and certain conventions are not identical with those used in British Standards; attention is especially drawn to the following.

Wherever the words “International Standard” appear, referring to this standard, they should be interpreted as “British Standard”.

Cross-references. For each of the following references to international standards given in the text, there is a corresponding British Standard; these are as listed below:

Reference to international standard	Corresponding British Standard
ISO 3880/1-1977 ^a Part 1	BS 5578 Building construction — Stairs Part 1:1978 Vocabulary (identical)
ISO 1791-1973	BS 2900:1970 Recommendations for the co-ordination of dimensions in building. Glossary of terms (technically equivalent)

^a Referred to as ISO 3880 in the text.

NOTE The international standards listed at the end of clause 5 constitute informative matter only. A British Standard does not purport to include all the necessary provisions of a contract. Users of British Standards are responsible for their correct application.

Compliance with a British Standard does not of itself confer immunity from legal obligations.

Summary of pages

This document comprises a front cover, an inside front cover, pages i and ii, pages 1 to 3 and a back cover.

This standard has been updated (see copyright date) and may have had amendments incorporated. This will be indicated in the amendment table on the inside front cover.

1 Scope and field of application

This International Standard gives general principles for co-ordinating dimensions of stairs and stair openings in building construction.

It applies to buildings of all types.

2 References

ISO 1791, *Modular co-ordination — Vocabulary*.

ISO 3880, *Building construction — Stairs — Vocabulary*.

3 Definitions

For the purpose of this International Standard the definitions given in ISO 1791 and ISO 3880 shall apply.

4 Specifications

4.1 Horizontal co-ordinating dimensions

The horizontal distances between co-ordinating planes shall be multiples of 3 M ($n \times 3\text{ M}$) as a first preference and multiples of 1 M ($n \times 1\text{ M}$) as a second preference (see Figure 1).

Co-ordinating planes define the boundary of the stair opening. Enclosing walls and floor heads shall not trespass the boundary defined by the co-ordinating planes.

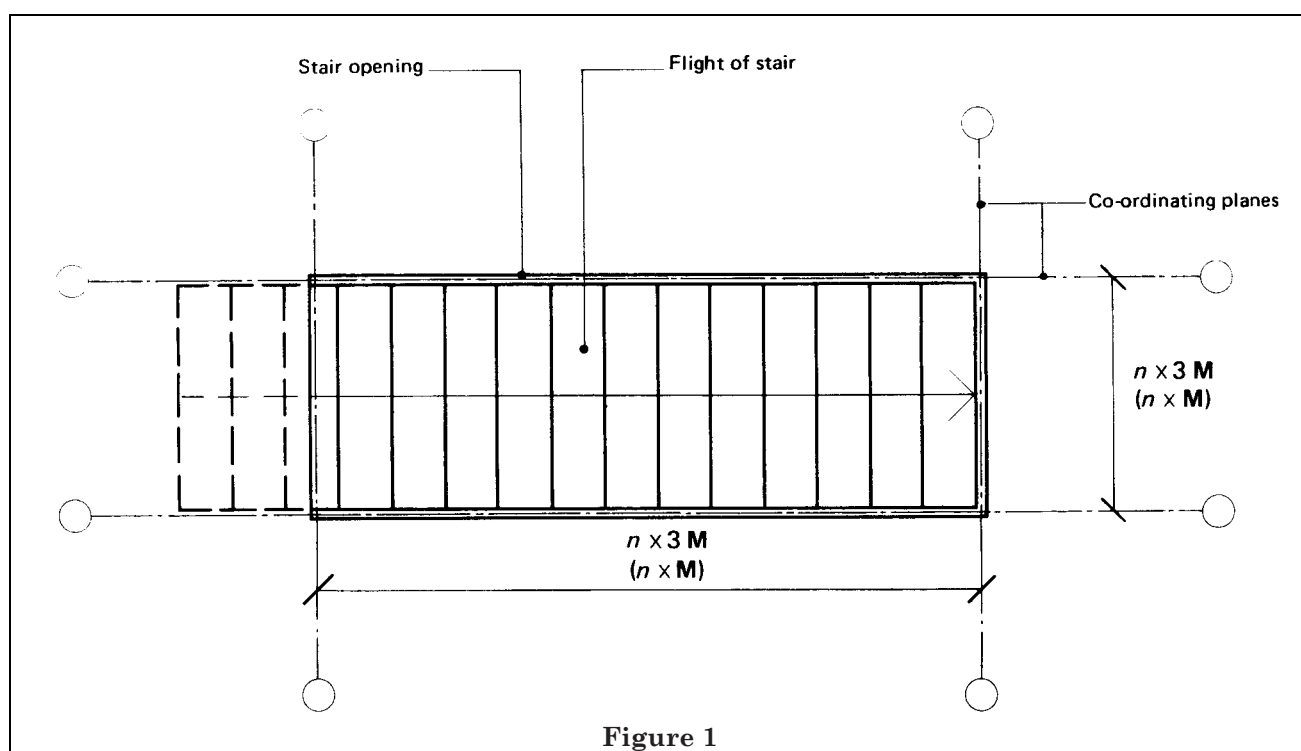


Figure 1

4.2 Vertical co-ordinating dimensions

The vertical distances between co-ordinating planes shall be multiples of 1 M.

The co-ordinating planes for location of floors shall be related to finished floor levels (see Figure 2).

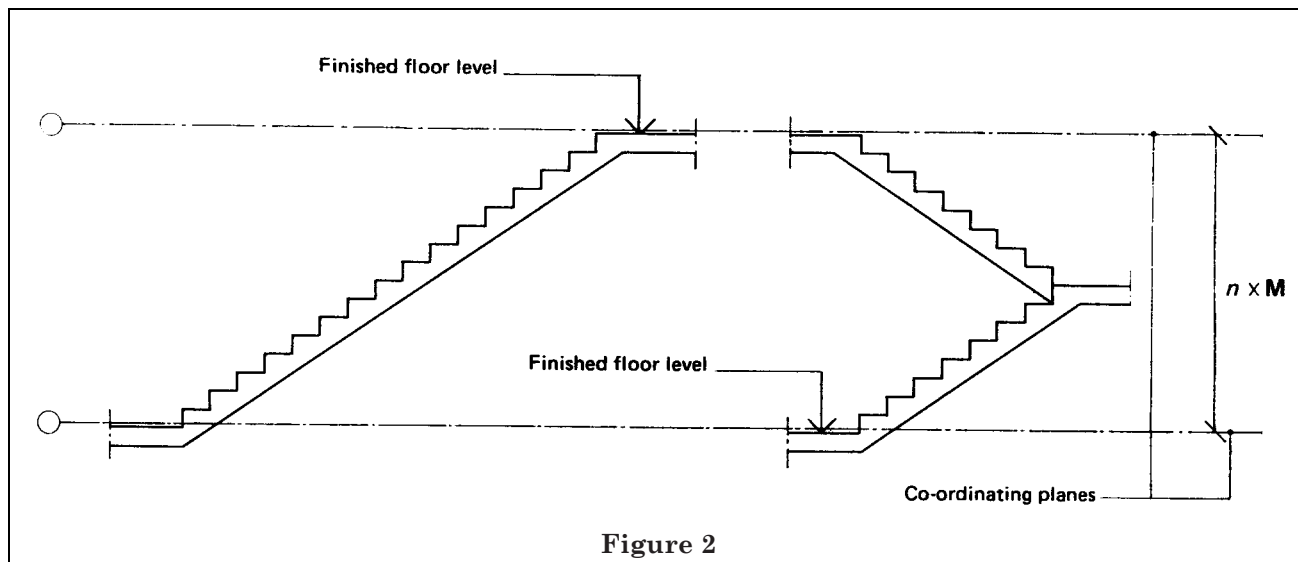
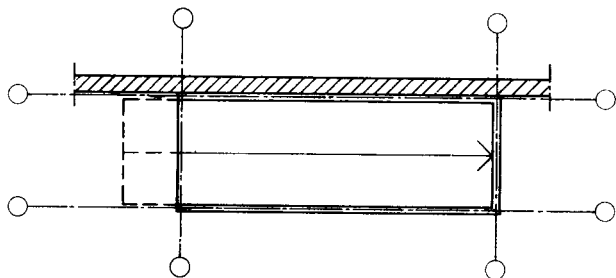


Figure 2

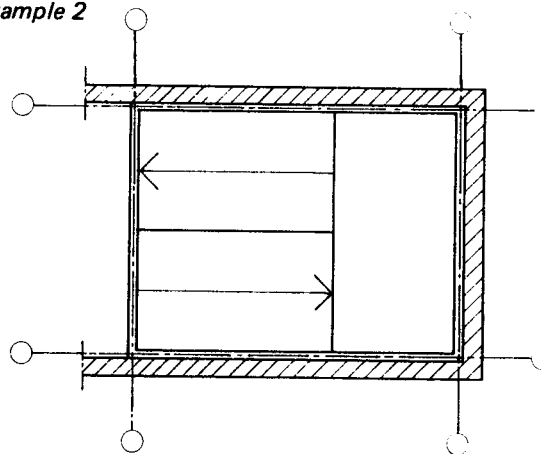
5 Application

The following examples are given to illustrate the application of the principles of modular co-ordination.

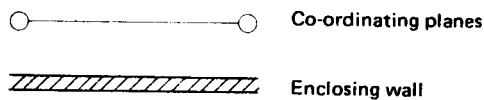
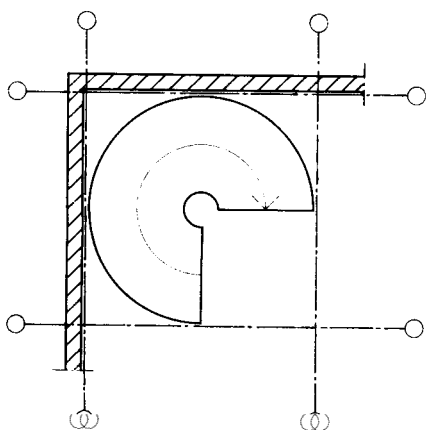
Example 1



Example 2



Example 3



This International Standard forms part of a series of ISO publications concerning modular co-ordination in building construction.

This series includes, among others, the following documents, which lay down the basic principles and design rules of modular co-ordination.

ISO 1006, *Modular co-ordination — Basic module.*

ISO 1040, *Modular co-ordination — Multimodules for horizontal co-ordinating dimensions.*

ISO 1789, *Modular co-ordination — Storey heights and room heights for residential buildings.*

ISO/R 1790, *Modular co-ordination — Reference lines of horizontal controlling co-ordinating dimensions.*

ISO 1791, *Modular co-ordination — Vocabulary.*

ISO 2848, *Modular co-ordination — Principles and rules.*

BSI — British Standards Institution

BSI is the independent national body responsible for preparing British Standards. It presents the UK view on standards in Europe and at the international level. It is incorporated by Royal Charter.

Revisions

British Standards are updated by amendment or revision. Users of British Standards should make sure that they possess the latest amendments or editions.

It is the constant aim of BSI to improve the quality of our products and services. We would be grateful if anyone finding an inaccuracy or ambiguity while using this British Standard would inform the Secretary of the technical committee responsible, the identity of which can be found on the inside front cover. Tel: 020 8996 9000. Fax: 020 8996 7400.

BSI offers members an individual updating service called PLUS which ensures that subscribers automatically receive the latest editions of standards.

Buying standards

Orders for all BSI, international and foreign standards publications should be addressed to Customer Services. Tel: 020 8996 9001. Fax: 020 8996 7001.

In response to orders for international standards, it is BSI policy to supply the BSI implementation of those that have been published as British Standards, unless otherwise requested.

Information on standards

BSI provides a wide range of information on national, European and international standards through its Library and its Technical Help to Exporters Service. Various BSI electronic information services are also available which give details on all its products and services. Contact the Information Centre. Tel: 020 8996 7111. Fax: 020 8996 7048.

Subscribing members of BSI are kept up to date with standards developments and receive substantial discounts on the purchase price of standards. For details of these and other benefits contact Membership Administration. Tel: 020 8996 7002. Fax: 020 8996 7001.

Copyright

Copyright subsists in all BSI publications. BSI also holds the copyright, in the UK, of the publications of the international standardization bodies. Except as permitted under the Copyright, Designs and Patents Act 1988 no extract may be reproduced, stored in a retrieval system or transmitted in any form or by any means – electronic, photocopying, recording or otherwise – without prior written permission from BSI.

This does not preclude the free use, in the course of implementing the standard, of necessary details such as symbols, and size, type or grade designations. If these details are to be used for any other purpose than implementation then the prior written permission of BSI must be obtained.

If permission is granted, the terms may include royalty payments or a licensing agreement. Details and advice can be obtained from the Copyright Manager. Tel: 020 8996 7070.