



BS 1212 : Part 1 : 1990

UDC 621.646.618 : 621.646.2—314.1 : 669.35'5

© British Standards Institution. No part of this publication may be photocopied or otherwise reproduced without the prior permission in writing of BSI

British Standard

Float operated valves

Part 1. Specification for piston type float operated valves
(copper alloy body) (excluding floats)

Robinets à flotteur

Partie 1. Robinets à flotteur de type piston (corps en alliage de cuivre)
(à l'exclusion des flotteurs) — Spécifications

Schwimmerventile

Teil 1. Kolbenschwimmerventile (mit Gehäuse aus Kupfer) (ausgenommen Schwimmer)

British Standards Institution

Foreword

This Part of BS 1212 has been prepared under the direction of the Building Services Standards Committee and specifies requirements for piston type float operated valves (excluding floats). It supersedes BS 1212 : Part 1 : 1953, which is withdrawn.

The new features in this Part of BS 1212 include the following:

- (a) the possible production of certain components from plastics materials;
- (b) an extension of the range of sizes of plastics seats;
- (c) a seat numbering system;
- (d) a bottom entry inlet connection and its associated inlet elbow, with adjustable stay;
- (e) a recognition of the greater lifting effort of plastics floats over copper floats of equivalent size;
- (f) the supply of size $\frac{3}{8}$ and size $\frac{1}{2}$ levers with a downturn portion fitted with a float adjuster and thumb screw;
- (g) a further method of production for two piece levers
- (h) a test for plastics backnut strength, in line with BS 1212 : Part 3;
- (j) a test for plastics locknut strength;
- (k) a recognition of current manufacturing practice by deletion of reference to the use of agate tipped seats.

Due to the fact that valves covered by this Part of BS 1212 do not provide the appropriate backsiphonage protection required by the Water Byelaws, it is recommended in the case of nominal size $\frac{1}{2}$ valves that a valve covered by one of the other Parts of BS 1212 be used for applications where backsiphonage protection is required. Alternatively, a valve covered by BS 1212 : Part 1 can be used in these cases if a suitable protective device is connected to the feed pipe to the valve. For nominal size $\frac{3}{4}$ and above, such a device should be used whenever backsiphonage protection is required.

Advice on suitable protective devices is given in the Water Research Centre publication 'Water Fittings and Materials Directory'* and in BS 6700.

This Part of BS 1212 has been revised in metric terms, except for certain thread sizes and pipe thread designations which are retained in imperial sizes to accord with BS 2779.

Compliance with a British Standard does not of itself confer immunity from legal obligations.

*Obtainable from the Water Research Centre, Water Byelaws Advisory Service, 660 Ajax Avenue, Slough, Berkshire SL1 4BG.

Contents

	Page		Page
Foreword		Inside front cover	
Committees responsible		Back cover	
Specification			
Section one. General			
1 Scope	2	B Method of test for distortion of size $\frac{1}{2}$ plastics backnuts	30
2 Definition	2	C Method of test for distortion of plastics locknuts	30
3 Designation for ordering	2	D Method of test for mechanical strength of levers	30
4 Marking	2	E Discharge of water through piston type float operated valves	30
Section two. Materials			
5 Quality and finish	3	Tables	
6 Plastics	3	1 Materials	4
7 Castings	3	2 Body, seat and float combination	5
8 Hot stampings	3	3 Side entry inlet shank and inlet for connection to 12 mm and 15 mm copper tube	12
9 Mouldings	3	4 Type (a) backnuts (integral flange)	15
10 Machining	3	5 Type (b) backnuts (spigoted)	15
Section three. Design, construction and dimensions			
11 General	5	6 Type (c) backnuts (fixed flange)	15
12 Screw threads	5	7 Bodies	17
13 Inlet connection	6	8 Body coupling nuts	19
14 Backnuts	6	9 Body end cap	20
15 Bodies	6	10 Pistons and piston washers	21
16 Body coupling nuts	6	11 Seats and joint ring for seats	25
17 Body end caps	6	12 Seat numbers	25
18 Pistons and piston washers	6	13 Levers	27
19 Seats	7	14 Test loads for levers	30
20 Levers	7	15 Computed flow through seat orifices	32
21 Locknuts for levers	7	Figures	
22 Float adjusters and thumb screws	8	1 Section of typical size $\frac{1}{2}$ piston type float operated valve with detail of inlet and alternative lever arm	9
23 Split cotter pins	8	2 Inlet shanks	11
Section four. Performance			
24 Hydraulic pressure and shut-off	9	3 Inlet elbows	13
25 Backnut distortion	9	4 Backnuts	14
26 Locknut distortion	9	5 Bodies	16
27 Mechanical strength of levers	9	6 Body coupling nuts	19
Appendices			
A Method of test for shut-off when assembled with appropriate float	30	7 Body end cap	20
		8 Pistons and piston washers	21
		9 Seats and joint ring for seats	23
		10 Levers and socket for soldered joint for two piece levers	27
		11 Float adjuster, thumb screw and split cotter pin	29

Section one. General

1 Scope

This Part of BS 1212 specifies materials, dimensions, tolerances and performance requirements for piston type float operated valves (copper alloy body) of nominal sizes $\frac{3}{8}$, $\frac{1}{2}$, $\frac{3}{4}$, 1, $1\frac{1}{4}$, $1\frac{1}{2}$ and 2 with six patterns of body, designated I, II, III, IV, V and VI, intended for use with floats complying with BS 1968 and BS 2456.

NOTE 1. The nominal sizes correspond with the pipe size of the thread on the inlet shank as specified in BS 2779. The nominal sizes $\frac{3}{8}$ and $1\frac{1}{4}$ are formed by making special inlets on the sizes $\frac{1}{2}$ and $1\frac{1}{2}$ respectively. Nominal sizes $\frac{3}{8}$ and $\frac{1}{2}$ are made in body form pattern I or II.

NOTE 2. The titles of the publications referred to in this standard are listed on the inside back cover.

2 Definition

For the purposes of this Part of BS 1212 the following definition applies.

piston type float operated valve. A non-equilibrium float operated valve in which the flow of water is controlled by the horizontal movement of a piston.

3 Designation for ordering

Piston type float operated valves shall be designated by the following:

- (a) the nominal size;
- (b) the words 'piston type float operated valve';
- (c) the seat number and the body with which it can be used;

(d) the number of this British Standard in the form BS 1212/1;

(e) bottom entry connection, if required.

Example. 'Nominal size $\frac{1}{2}$ piston type float operated valve, no. 6 seat, body II, BS 1212/1'.

4 Marking

4.1 General

A piston type float operated valve shall be permanently and legibly marked in accordance with 4.2 and 4.3 in such a way as not to deform any working part.

4.2 On the body

Rolled, cast or stamped on the body shall be the following:

- (a) the number of this British Standard in the form BS 1212/1*;
- (b) the manufacturer's name or trademark.

4.3 On every seat including spares

The flange of the seat shall be marked with the following:

- (a) the manufacturer's name or trademark;
- (b) the body (or bodies) with which it can be used (I to VI);
- (c) the designation of the seat (3, 5, 6, 9, 13, 16, 19, 24, 25 or 32).

In the case of plastics seats, the marking shall be either within the recess for embossed marking or on the flat face for engraved marking (see figure 9).

*Marking BS 1212/1 on or in relation to a product represents a manufacturer's declaration of conformity, i.e. a claim by or on behalf of the manufacturer that the product meets the requirements of the standard. The accuracy of the claim is therefore solely the responsibility of the person making the claim. Such a declaration is not to be confused with third party certification of conformity, which may also be desirable.

Section two. Materials

5 Quality and finish

5.1 General

The materials to be used in the construction of components for piston type float operated valves shall be chosen from those given in table 1.

5.2 Effect of non-metallic materials on water quality

When used under the conditions for which they are designed, non-metallic materials in contact with or likely to come into contact with potable water shall comply with BS 6920 : Part 1.

6 Plastics

6.1 With the exception of seats, where no reworked material shall be used (see **6.2**), the plastics parts of piston type float operated valves shall be manufactured from the materials given in table 1 with, if required, the addition of not more than 15% of the manufacturer's own clean reworked material complying with this Part of BS 1212. No other reworked material shall be used.

6.2 Seats from plastics shall be manufactured from new nylon, acetal polymer or polypropylene copolymer of a hardness not less than D75 (Shore) when measured in accordance with BS 2782 : Part 3 : Method 365B.

7 Castings

Cast components shall be sound and shall comply with BS 6615.

8 Hot stampings

Hot stamped components shall be sound and shall comply with BS 3885.

9 Mouldings

Mouldings shall be sound and free from flash.

10 Machining

All machining shall be carried out so that parts comply with the dimensions specified in this Part of BS 1212 and are correctly aligned when assembled. All machined surfaces shall be free from burrs.

BS 1212 : Part 1 : 1990
Specification, Section two

Table 1. Materials

Material/material specification Component	Castings				Rod for hot pressing, forging and machining								Fibres			Plastics	
	BS 1400 SCB1 or SCB3 (see note)	BS 1400 DCB3	BS 1400 PCB1	BS 1400 LG1 or LG2	BS 2872 CZ122	BS 2872 CZ129	BS 2874 CZ121	BS 2874 CZ132	BS 2874 PB102	BS 1400 G1	Rubbers Synthetics of 60 IRHD to 70 IRHD (see BS 903 : Part A26)	BS 3964 or BS 5292	Acetal polymer	Nylon	Polypropylene copolymer		
Body	X	X	X	X	X			X									
Piston	X	X	X	X	X			X					X				
Piston cap	X	X	X	X	X			X					X				
Piston washer																	
Seat									X				X	X	See 6.2		
Lever	X	X	X	X	X	X		X									
Body end cap	X	X	X	X	X			X					X		X		
Inlet shank	X	X	X	X	X			X									
Body coupling nut	X	X	X	X	X			X									
Integral flange backnut type (a)	size 1/2	X	X	X	X			X					X		X		
	other sizes	X	X	X	X			X									
Spigoted backnut type (b)	size 1/2	X	X	X	X			X					X		X		
	other sizes	X	X	X	X			X									
Fixed flange backnut type (c)	size 1/2	X	X	X	X			X					X		X		
	other sizes	X	X	X	X			X									
Joint ring	Inlet shank to seat													X	X	X	
	Inlet adaptor to inlet elbow													X	X	X	
Inlet elbow	X	X	X	X	X												
Inlet adaptor	X	X	X	X	X			X									
Locknut	X	X	X	X	X			X						X			
Float adjuster	X	X	X	X	X			X						X			
Thumb screw	X	X	X	X	X			X						X			
Split cotter pin																	

See clause 23

NOTE. Copper content may be reduced to 62 % for SCB1 and SCB3.

Section three. Design, construction and dimensions

11 General

A piston type float operated valve shall have a general arrangement as shown in figure 1 and shall have dimensions complying with clauses 12 to 23 with a working tolerance of ± 0.3 mm, unless otherwise specified in this Part of BS 1212.

In nominal size $\frac{1}{2}$ valves of body patterns I and II, the total projection from the face of the fixed backnut (which abuts on the inside face of the cistern shell) to the face of the body cap shall be a maximum of 75 mm to

enable the valves to be fitted into cast-iron well bottom flushing cisterns.

The combination of body pattern, seat number and size of float to suit the required pressure zone shall be as given in table 2.

12 Screw threads

Unless otherwise specified in this Part of BS 1212, screw threads shall comply with the free fit or normal class requirements of the relevant British Standard.

Table 2. Body, seat and float combination

Nominal size of valve	Body pattern	Seat number	Nominal diameter of suitable standard float						Lever end screwing size, BSW
			For high pressure up to 14 bar*		For medium pressure up to 7 bar		For low pressure up to 3 bar		
			Copper BS 1968	Plastics BS 2456	Copper BS 1968	Plastics BS 2456	Copper BS 1968	Plastics BS 2456	
$\frac{3}{8}$	I	3	in	mm	in	mm	in	mm	$\frac{5}{16}$
	I	5	5	114	$4\frac{1}{2}$	102	$4\frac{1}{2}$	102	
	II	6	6	127	$4\frac{1}{2}$	114	$4\frac{1}{2}$	102	
	II	9	7	—	6	127	5	114	
$\frac{1}{2}$	I	3	5	114	$4\frac{1}{2}$	102	$4\frac{1}{2}$	102	$\frac{5}{16}$
	I	5	6	127	$4\frac{1}{2}$	114	$4\frac{1}{2}$	102	
	II	6	6	152	5	114	$4\frac{1}{2}$	102	
	II	9	7	—	6	127	5	114	
$\frac{3}{4}$	III	6	6	152	5	127	$4\frac{1}{2}$	102	$\frac{5}{16}$
	III	9	7	—	6	152	5	114	
	III	13	—	—	7 (8)	—	6	152	
1	IV	9	7	—	6	152	5	114	$\frac{7}{16}$
	IV	13	8 (9)	—	8	—	6	152	
	IV	16	9	—	8	—	7	—	
$1\frac{1}{4}$	V	19	10 (11)	—	9 (10)	—	8	—	$\frac{9}{16}$
	V	24	—	—	10 (11)	—	8	—	
$1\frac{1}{2}$	V	19	10 (11)	—	9 (10)	—	8	—	$\frac{9}{16}$
	V	24	—	—	10 (11)	—	8	—	
2	VI	25	12	—	11	—	10	—	$\frac{5}{8}$
	VI	32	—	—	12	—	10	—	

NOTE 1. The sizes given in this table are suitable for spherical floats complying with BS 2456 or BS 1968, except that where a second size is shown in parentheses such size should be used for brazed or bronze welded floats.

NOTE 2. Non-spherical floats should have a lifting effort (calculated as required by BS 1968 or BS 2456) not less than that of the spherical float.

NOTE 3. Size $\frac{3}{8}$ and size $1\frac{1}{4}$ are identical to the size $\frac{1}{2}$ and size $1\frac{1}{2}$ respectively, with the exception of the inlet shanks and backnuts.

* 1 bar = 10^5 N/m² = 100 kPa.

BS 1212 : Part 1 : 1990
Specification. Section three

13 Inlet connection

13.1 General

Every inlet shank shall be screwed externally with parallel fastening thread that complies with class B of BS 2779 and is of the same nominal size as the valve (see figure 2 and table 3).

13.2 Side entry valves

For side entry valves, the inlet shank shall have dimensions as given in figure 2(a) and table 3.

13.3 Bottom entry valves (size $\frac{1}{2}$ only)

For bottom entry valves, an integral flange shall be provided on the inlet shank with dimensions as given in figure 2(b).

13.4 Connection to 12 mm and 15 mm copper tube

When the ends of the sizes $\frac{3}{8}$ and $\frac{1}{2}$ inlet shanks are required to have dimensions suitable for connecting respectively to size 12 mm and 15 mm copper tube the inlet details shall be as given in figure 2(c) and table 3.

13.5 Inlet elbow and inlet adaptor for bottom entry valves (size $\frac{1}{2}$ only)

Inlet elbows and the inlet adaptor for bottom entry valves shall have dimensions as given in figure 3.

Connection to the float valve shall be by the bottom inlet elbow shown in figure 3(a) or by the alternative inlet elbow end, joint ring and adaptor shown in figure 3(b).

NOTE. Provision for tightening may be made in the bore of the inlet adaptor provided the flow through the seat is not reduced.

Connection between the bottom inlet shank and the inlet elbow shall be by means of suitably formed copper tube with dimensions and working pressures as given in table X or table Y of BS 2871 : Part 1 : 1971, the seal being made by a capillary or compression joint complying with BS 864 : Part 2 or by any method such that the seal complies with clause 24.

Each bottom entry valve assembly shall be provided with an adjustable lockable stay at its upper end to act as a stop against the cistern wall.

14 Backnuts

14.1 General

Backnuts shall be of the following types (see figure 4 and tables 4 to 6).

Type (a). With an integral flange used for securing the inlet shank to the cistern when tightened against the outside wall of the cistern.

Type (b). A spigoted backnut for size $\frac{1}{2}$ piston type float operated valves for use in flushing cisterns complying with BS 1125, in which the hole is larger than is

required for the inlet shank in order to provide an alternative overflow position.

Type (c). A fixed flange backnut, which acts as a flange on the inner face of the cistern shell.

There shall be means for tightening the nuts, e.g. hexagons. Plastics backnuts shall comply with clause 25.

14.2 Backnuts for side entry cisterns

Inlet shanks shall be provided with two backnuts. For nominal size $\frac{1}{2}$ float operated valves, one of the following combinations of backnuts shall be supplied:

type (a) and type (b);

type (b) and type (c);

type (b) and type (b).

For other sizes, type (a) and type (c) shall be supplied.

14.3 Backnuts for bottom entry cisterns

Inlet shanks shall be fitted with a type (a) or type (b) backnut.

15 Bodies

Bodies shall have dimensions as given in table 7. The form of the outlet shall be as shown in figure 5. There shall be no features that facilitate the subsequent fitting of a silencing pipe.

16 Body coupling nuts

Body coupling nuts shall be of the types shown in figure 6 and shall have dimensions as given in table 8 and shall be free to revolve when the type (c) backnut (see figure 4(c)) is screwed hard up to the end of the inlet shank thread.

17 Body end caps

Body end caps shall have dimensions as given in table 9. A minimum of 40 % of linear length of cap shall be knurled or ribbed to aid assembly.

18 Pistons and piston washers

Pistons, which shall be plain or cruciform, and piston washers shall have dimensions as given in table 10.

Pistons shall be manufactured as follows:

(a) as separate items; or

(b) as one piece designs, provided that the major external diameters and lengths are as shown in figure 8 and as given in table 10, and that the design is capable of accepting and retaining the washer manufactured to the dimensions given in table 10 and of permitting its replacement using simple hand tools.

19 Seats

19.1 General

Seats shall be removable and shall have dimensions as given in figure 9 and table 11.

19.2 Seat designation

Seats shall be designated by the bore numbers 3, 5, 6, 9, 13, 16, 19, 24, 25 and 32 and by the body pattern numbers I, II, III, IV, V and VI in which they are to be used, e.g. 3 X I and 13 X III. (See table 12 for the complete range of seat numbers.)

NOTE. Metal seats cover size range 3 X I to 32 X VI inclusive and plastics seats cover size range 3 X I to 16 X IV inclusive.

19.3 Seat colour

Plastics seats shall be of the colour given in table 11.

19.4 Seat joint ring

Seats shall be provided with a joint ring on the inlet side of the seat. The joint ring shall have dimensions as given in figure 9(a) and table 11.

20 Levers

20.1 General

Levers shall have dimensions as given in figure 10 and table 13.

Levers for nominal size $\frac{1}{2}$ valves shall be made in one piece, but for nominal size $\frac{3}{4}$ and above they shall be either in one piece or with short arm and rod separately constructed.

For two piece levers, the rod shall be secured to the short arm by one of the following means.

(a) A hard soldered joint, the solder being a copper-silver-phosphorus or another corrosion resistant alloy that does not undergo dezincification and does not produce brittle joints. The clearance (diameter difference) between rod and short arm at the joint shall not exceed 0.2 mm.

(b) Screw threads on the rod and short arm which are secured to each other by a high strength, water resistant adhesive or a solder as described in (a). The rod shall be screwed to the same thread and thread length used to retain the float (see column headed 'Length of clear thread on float end of rod, H' in table 13), and the short arm shall have a similar internal thread with a useful length of thread equal to dimension S in figure 10 and table 13.

20.2 Attachment of float

The lever rod shall comply with one of the following requirements.

(a) The lever rod shall have one end screwed for engagement with the boss of the float with dimensions as given in figures 10(a) and 10(b) and table 13 and be provided with a locknut.

(b) For size $\frac{3}{8}$ and $\frac{1}{2}$ valves only, the lever rod shall have the float end of the lever bent downwards, as shown in figure 10(c). A float adjuster and thumb screw as shown in figure 11 shall be supplied on the downturn of the lever, the end of the lever being deformed to retain the float adjuster.

20.3 Short arm

The short arm of the lever, whether integral with the rod or separately made, shall be provided with a heel so shaped as to prevent either the lever or the piston from locking in the fully open position (see figure 10 and table 13).

The design of each piston type float operated valve shall be such that when the washer is in contact with the face of the seat, the short arm of the lever is vertical.

20.4 Length of lever arm

When a lever is ordered for use in an apparatus in which it has to be inclined in order to accommodate an unusually large difference in level between the surface of the water and the float operated valve, one of the following requirements shall be complied with.

(a) The length of the lever shall be increased sufficiently to maintain the same positive closing moment as that obtained with the standard lever and size of float.

(b) For size $\frac{3}{8}$ and $\frac{1}{2}$ valves only, a lever of the downturn pattern of a suitable length shall be used.

When a lever is ordered for use with floats with a flat top having the boss on the top of the float, a special bent lever of appropriate length shall be provided. The shape of the lever shall be such as to ensure that the float operated valve will close when the water level reaches the determined water line of the cistern.

For valves of nominal size $\frac{3}{8}$ and $\frac{1}{2}$, the length of the lever as specified in table 13 shall be shortened when ordered for use in a small cistern, and the size of the float shall be adjusted to maintain the same positive closing moment as that obtained with the standard lever and size of float.

BS 1212 : Part 1 : 1990
Specification. Section three

20.5 Arc of movement

The arc of movement of the lever shall be such that the piston travel from the shut to the fully open position shall be not less than the following:

Nominal size	Minimum piston travel
	mm
$\frac{3}{8}$ and $\frac{1}{2}$	4.7
$\frac{3}{4}$	6.3
1	7.9
$1\frac{1}{4}$ and $1\frac{1}{2}$	11.0
2	15.8

The piston shall also be capable of closing against the seat when the washer is removed.

21 Locknuts for levers

Locknuts shall comply with BS 1083 and have dimensions as given in figure 10 and table 13 unless they are manufactured from plastics, in which case the thickness shall be not less than that given in table 13 in order to comply with clause 26.

22 Float adjusters and thumb screws

Float adjusters and thumb screws shall have dimensions as given in figures 11(a) and 11(b) respectively.

NOTE. These are used with sizes $\frac{3}{8}$ and $\frac{1}{2}$ float operated valves only.

23 Split cotter pins

Split cotter pins, which attach the lever to the body, shall be manufactured from copper alloy and shall have a nominal length and nominal diameter as given in table 13 and shall comply with BS 1574.

Section four. Performance

24 Hydraulic pressure and shut-off

24.1 A piston type float operated valve shall be such that while held in the closed position it withstands a hydraulic pressure of 20 bar for 15^{+1}_{-0} min without leaking or sweating.

24.2 A piston type float operated valve shall not leak when tested in accordance with appendix A.

25 Backnut distortion

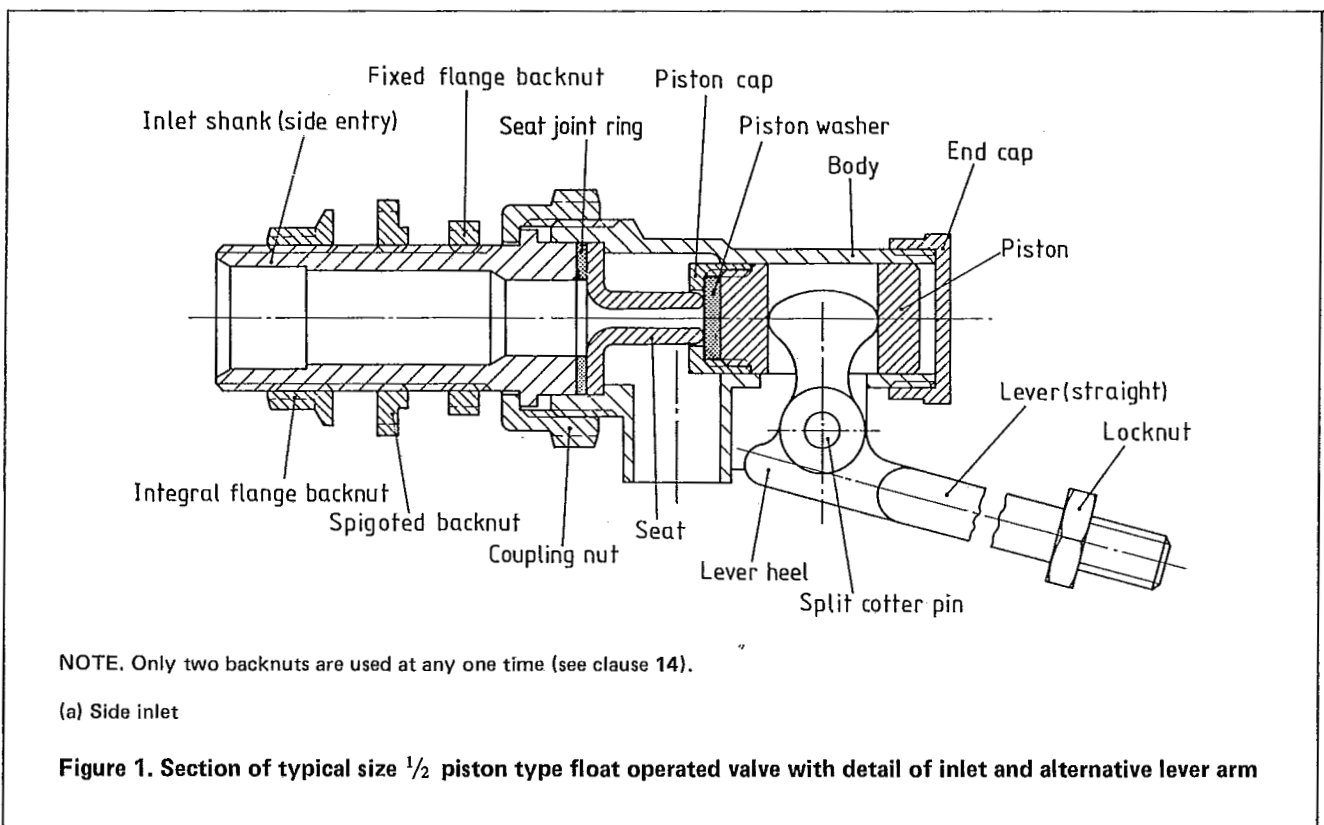
Size $\frac{1}{2}$ plastics backnuts type (a), (b) and (c) shall not show permanent damage that will affect the efficiency of the assembly when tested in accordance with appendix B.

26 Locknut distortion

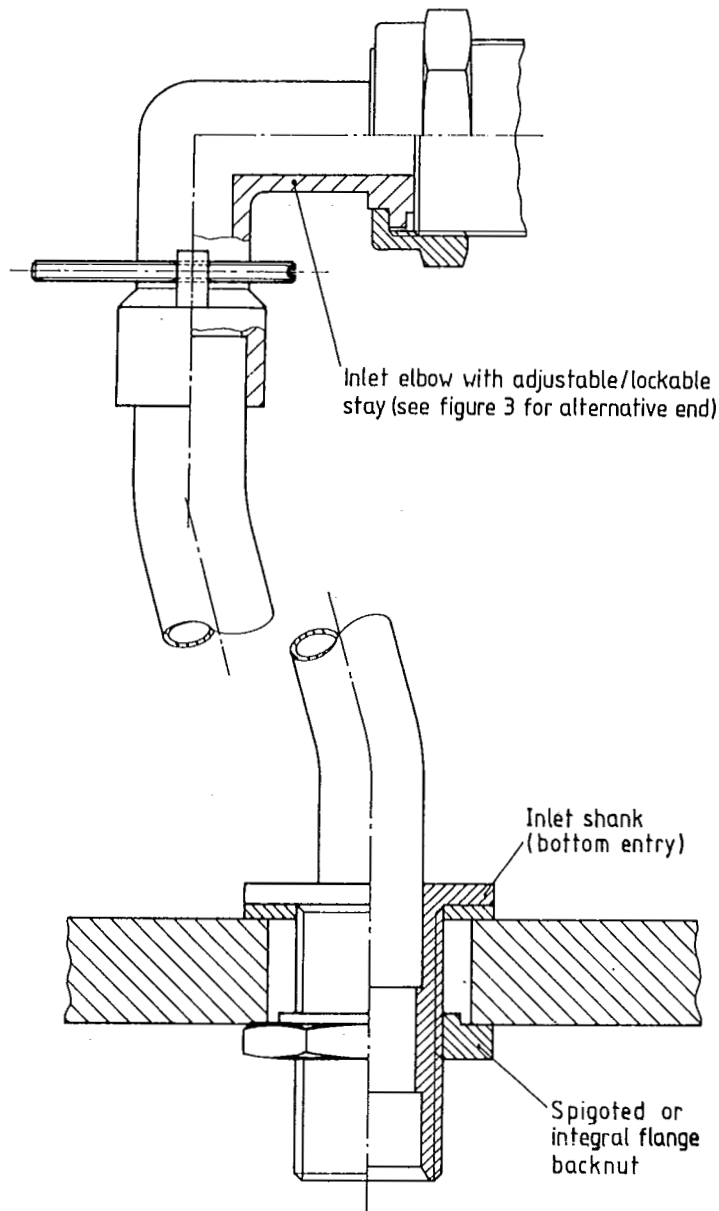
A plastics locknut shall not show permanent damage that will affect the efficiency of the assembly when tested in accordance with appendix C.

27 Mechanical strength of levers

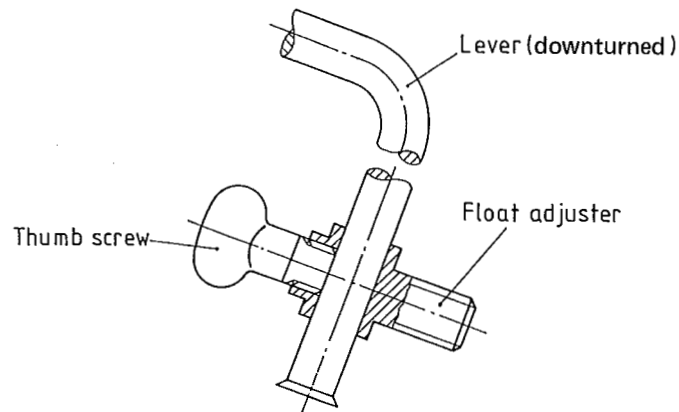
A lever shall not show any permanent set when tested in accordance with appendix D.



BS 1212 : Part 1 : 1990
Specification. Section four

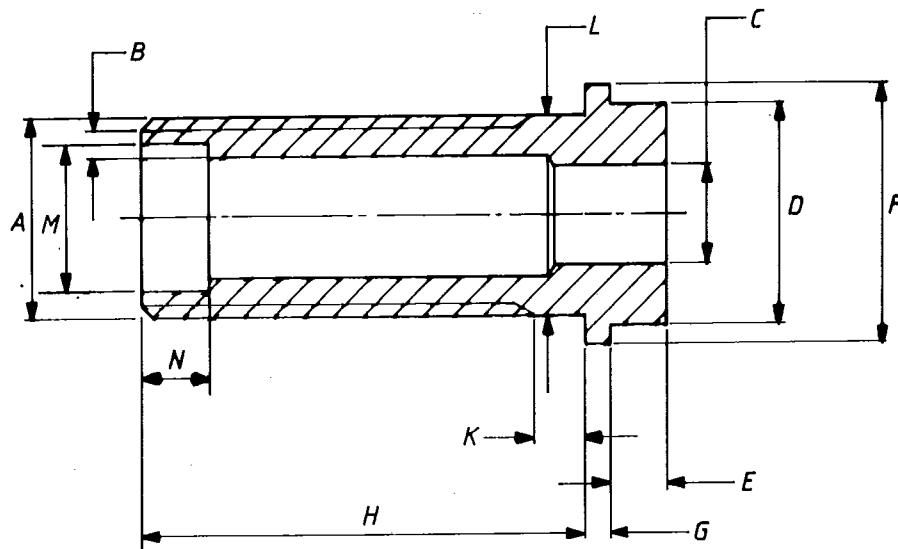


(b) Bottom inlet

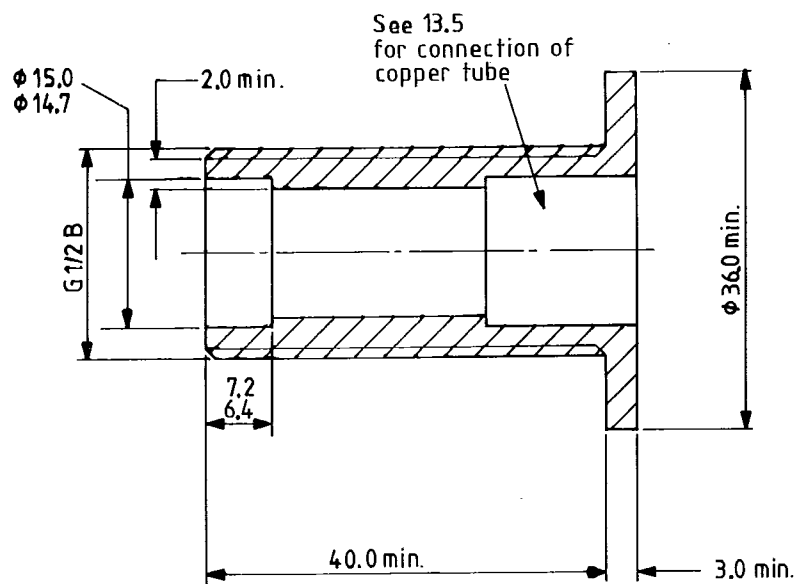


(c) Alternative lever arm (see 20.2(b) and figure 10)

Figure 1 (concluded)

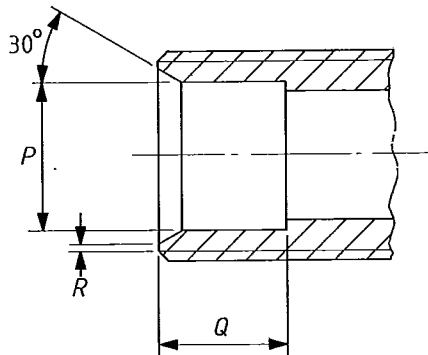


(a) Side entry inlet shank



All dimensions are in millimetres.

(b) Bottom entry inlet shank (size 1/2)



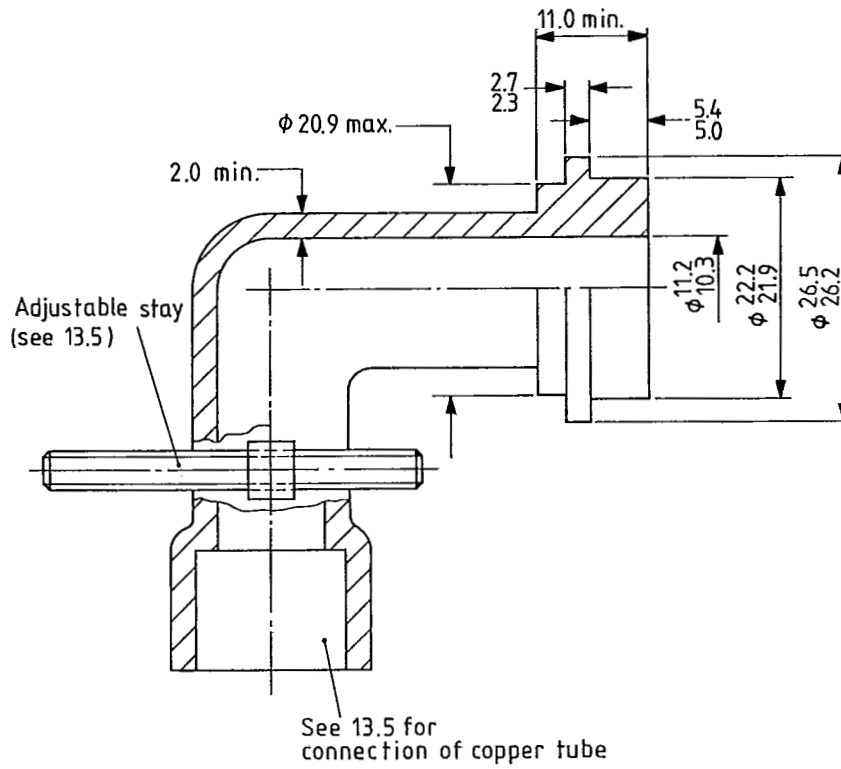
(c) Inlet (bottom or side entry) for connection to 12 mm or 15 mm copper tube

Figure 2. Inlet shanks (see table 3)

BS 1212 : Part 1 : 1990
Specification. Section four

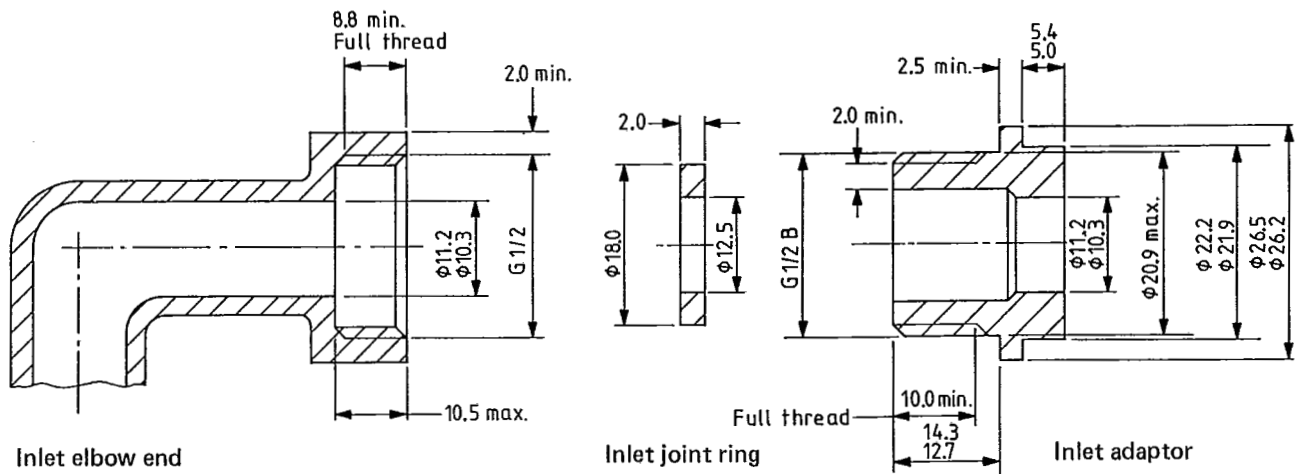
Table 3. Side entry inlet shank and inlet for connection to 12 mm and 15 mm copper tube (see figures 2(a) and 2(c))

Nominal size of float operated valve	Pipe thread designation to BS 2779, A	Thickness of wall minor diameter to bore, B	Bore through spigot, C		Outside diameter of spigot, D		Axial length of spigot, E		Diameter of collar, F		Length of collar, G		Length of tail under collar, H	Length of plain tail, K	Outside diameter at K, L	Parallel spigot bore diameter, M		Parallel spigot bore length, N		Bore diameter for connection to 12 mm or 15 mm copper tube, P		Bore length for inlet for connection to 12 mm or 15 mm copper tube, Q		Flat on entrance to bore for inlet for connection to 12 mm or 15 mm copper tube, R
			max.	min.	max.	min.	max.	min.	max.	min.	max.	min.				max.	min.	max.	min.	max.	min.	max.	min.	
3/8	G 3/8 B	2.0	11.2	10.3	22.2	21.9	5.0	5.4	26.5	26.2	2.7	2.3	44.0	4.7	20.9	11.5	11.2	7.2	6.4	12.25	12.15	10.00	0.30	
1/2	G 1/2 B	2.0	11.2	10.3	22.2	21.9	5.0	5.4	26.5	26.2	2.7	2.3	44.0	4.7	20.9	15.0	14.7	7.2	6.4	15.25	15.15	13.00	0.30	
3/4	G 3/4 B	2.0	15.9	15.0	24.2	23.8	8.2	8.6	32.1	31.8	2.7	2.3	46.0	4.7	26.4	20.2	19.9	7.2	6.4	—	—	—	—	
1	G 1 B	2.7	19.1	18.2	28.6	28.2	12.9	13.3	40.2	39.9	3.5	3.1	53.0	6.3	33.2	26.1	25.8	7.2	6.4	—	—	—	—	
1 1/4	G 1 1/4 B	3.2	27.0	26.1	39.6	39.1	15.0	15.0	55.1	54.8	4.3	3.9	66.0	7.9	47.8	34.6	34.1	8.8	8.0	—	—	—	—	
1 1/2	G 1 1/2 B	3.2	27.0	26.1	39.6	39.1	15.0	14.6	55.1	54.8	4.3	3.9	66.0	7.9	47.8	40.3	39.7	10.4	9.6	—	—	—	—	
2	G 2 B	3.9	35.0	34.1	47.6	47.1	16.7	16.3	67.1	66.8	5.1	4.7	73.0	7.9	59.6	51.4	50.9	10.4	9.6	—	—	—	—	



NOTE. Figure shows typical example only.

(a) Bottom inlet elbow (size 1/2)



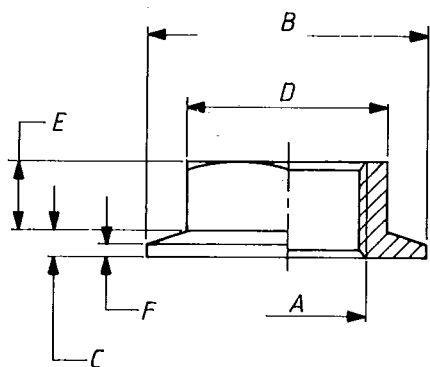
All dimensions are in millimetres.

NOTE. For G 1/2 and G 1/2B see BS 2779.

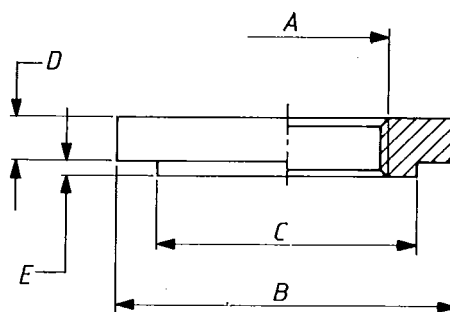
(b) Alternative inlet elbow construction (size 1/2)

Figure 3. Inlet elbows

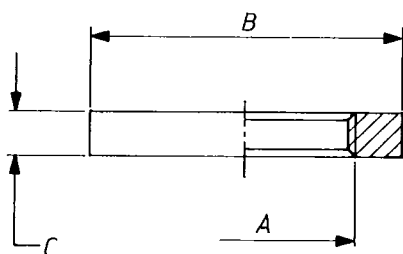
BS 1212 : Part 1 : 1990
Specification. Section four



(a) Type (a) backnut (integral flange) (see table 4)



(b) Type (b) backnut (spigoted) (see table 5)



(c) Type (c) backnut (fixed flange) (see table 6)

Figure 4. Backnuts

Table 4. Type (a) backnuts (integral flange) (see figure 4(a))

Nominal size of float operated valve	Pipe thread designation to BS 2779, A	Diameter of flange, B	Thickness of flange, C	Dimension over flats, D	Axial length, E	Thickness of outside edge of flange, F
		min.	min.	min.	min.	min.
		mm	mm	mm	mm	mm
3/8	G ^{3/8}	28.0	2.5	20.0	7.0	1.2
1/2	G ^{1/2}	38.0	2.5	25.0	7.0	1.2
3/4	G ^{3/4}	38.0	3.0	31.0	7.0	1.5
1	G1	45.0	3.8	38.0	7.8	1.9
1 1/4	G1 1/4	60.0	4.5	51.0	9.3	2.2
1 1/2	G1 1/2	66.0	5.3	56.0	10.9	2.6
2	G2	82.0	6.3	69.0	12.7	3.1

Table 5. Type (b) backnuts (spigoted) (see figure 4(b))

Nominal size of float operated valve	Pipe thread designation to BS 2779, A	Dimension over flats, B	Diameter of spigot, C		Axial length, D	Axial length of spigot, E
		min.	max.	min.	min.	min.
		mm	mm	mm	mm	mm
1/2	G ^{1/2}	34.0	26.7	26.1	4.7	1.5

Table 6. Type (c) backnuts (fixed flange) (see figure 4(c))

Nominal size of float operated valve	Pipe thread designation to BS 2779, A	Dimension over flats, B	Axial length, C
		min.	min.
		mm	mm
3/8	G ^{3/8}	31.0	4.7
1/2	G ^{1/2}	34.0	4.7
3/4	G ^{3/4}	37.0	6.3
1	G1	47.0	9.5
1 1/4	G1 1/4	56.0	9.5
1 1/2	G1 1/2	63.0	9.5
2	G2	76.0	9.5

BS 1212 : Part 1 : 1990
 Specification. Section four

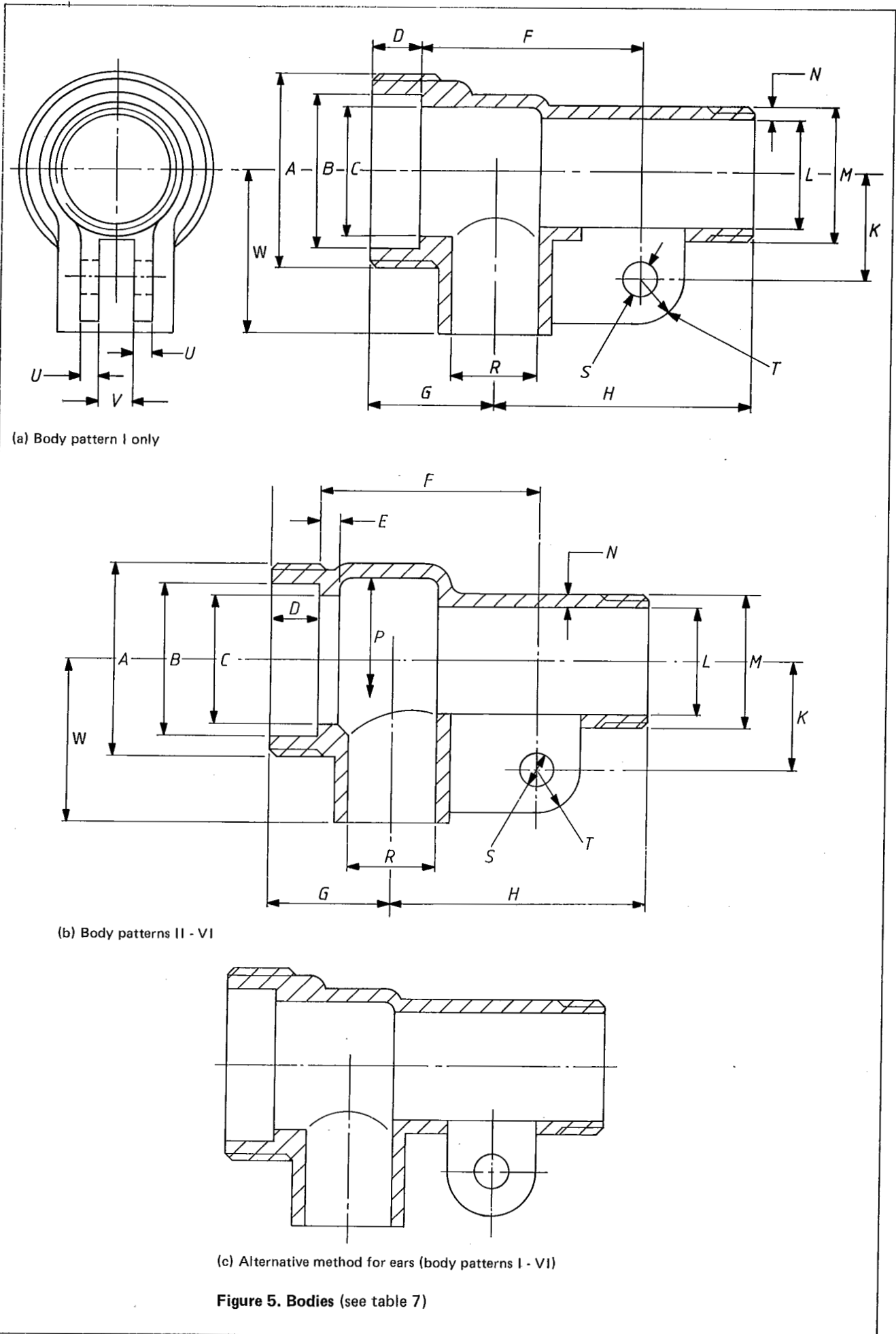


Table 7. Bodies (see figure 5)

Body pattern number	Nominal size of float operated valve	Major diameter of external thread on body, A	Diameter of spigot chamber, B		Diameter of opening for seat, C		Axial length of spigot chamber, D		Axial length of collar, E	Seat bed to fulcrum, F		Inlet face to outlet centre, G		Outlet centre to end of body, H		Centre-line of body to fulcrum, K
			max.	min.	max.	min.	max.	min.		min.	max.	min.	max.	min.	max.	
I	$\frac{3}{8}$ and $\frac{1}{2}$	in	mm	mm	mm	mm	mm	mm	mm	mm	mm	mm	mm	mm	mm	mm
II	$\frac{3}{8}$ and $\frac{1}{2}$	1.1250 x 18 tpi	22.5	22.3	19.3	19.0	7.4	7.1	—	31.7		18.2	17.7	37.3		15.8
III	$\frac{3}{4}$	1.1250 x 18 tpi	22.5	22.3	19.3	19.0	7.4	7.1	3.0	31.7		18.2	17.7	37.3		15.8
IV	1	1.3437 x 18 tpi	24.5	24.3	18.9	18.6	10.6	10.3	3.0		42.8	27.7	27.2		53.1	20.6
V	1	1.6875 x 14 tpi	28.8	28.6	23.3	23.0	16.2	15.9	3.9		48.4	34.1	33.6		61.9	25.4
V	$1\frac{1}{4}$ and $1\frac{1}{2}$	2.2812 x 14 tpi	40.0	39.7	33.6	33.3	18.6	18.2	4.7		71.4	43.6	43.0		88.9	34.9
VI	2	2.750 x 14 tpi	48.0	47.7	41.6	41.3	21.0	20.6	6.3		94.4	54.0	53.3		120.6	44.4

Cylinder bore, <i>L</i>		Major diameter of external thread for cap, <i>M</i>	Minimum wall thickness, <i>N</i>	Diameter of outlet chamber, <i>P</i>	Diameter of outlet, <i>R</i>	Diameter of fulcrum hole for split pin, <i>S</i>	Width of ears centre of hole to outside edge, <i>T</i>	Thickness of ears, <i>U</i>	Width between ears, <i>V</i>		Centre of body to face of outlet, <i>W</i>
max.	min.								min.	max.	
mm	mm	in	mm	mm	mm	mm	mm	mm	mm	mm	
16.26	16.13	0.781 x 26 tpi	1.6	—	12.7	4.8	6.3	3.9	5.2	5.6	23.8
22.66	22.50	1.031 x 26 tpi	1.6	25.4	12.7	4.8	6.3	3.9	5.2	5.6	23.8
27.46	27.28	1.218 x 26 tpi	2.0	31.7	19.0	6.3	7.9	4.7	6.3	6.7	30.2
32.28	32.08	1.468 x 18 tpi	2.7	41.2	25.4	6.3	8.7	5.5	7.3	7.9	41.3
45.03	44.80	2.000 x 18 tpi	3.2	60.3	38.1	7.9	9.5	7.9	9.8	10.4	57.2
53.01	52.75	2.375 x 18 tpi	4.0	79.3	50.8	9.5	12.7	9.5	10.8	11.6	76.2

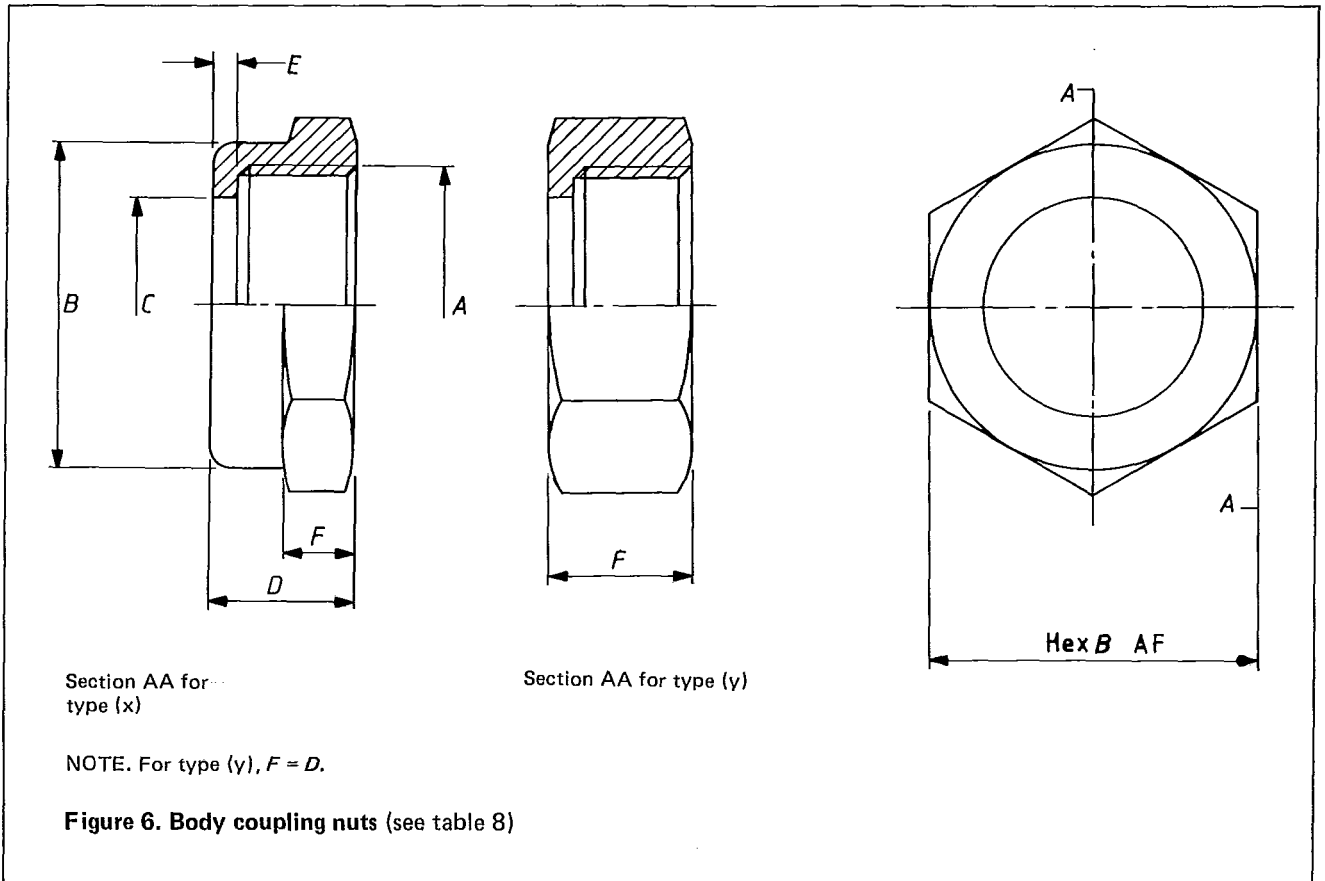


Table 8. Body coupling nuts (see figure 6)

Nominal size of float operated valve	Major diameter of internal thread, A	Size over flats hexagon, B	Bore through flange, C	Axial length of unit, D	Thickness of collar, E	Axial length of hexagon, F	
		Type (x)				Type (x)	Type (y)
		min.				min.	min.
	in	mm	mm	mm	mm	mm	mm
3/8	1.125 x 18 tpi	32.5	21.7	14.3	2.5	7.1	14.3
1/2	1.125 x 18 tpi	32.5	21.7	14.3	2.5	7.1	14.3
3/4	1.3475 x 18 tpi	38.1	27.2	17.4	3.1	7.9	17.4
1	1.6875 x 14 tpi	48.4	34.2	19.8	3.4	9.5	19.8
1 1/4	2.2812 x 14 tpi	64.2	48.7	25.4	4.7	11.0	25.4
1 1/2	2.2812 x 14 tpi	64.2	48.7	25.4	4.7	11.0	25.4
2	2.750 x 14 tpi	77.7	60.5	28.5	4.7	11.0	28.5

NOTE. Dimensions apply to both types except where otherwise stated.

BS 1212 : Part 1 : 1990
Specification. Section four

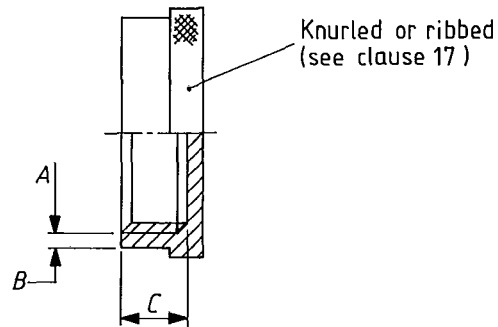


Figure 7. Body end cap (see table 9)

Nominal size of float operated valve	Body pattern number	Diameter of internal thread, <i>A</i>	Thickness of wall excluding thread, <i>B</i>	Internal depth of cap, <i>C</i>
			min.	min.
		in	mm	mm
1/2	I	0.781 x 26 tpi	1.5	6.3
1/2	II	1.031 x 26 tpi	1.5	6.3
3/4	III	1.218 x 26 tpi	1.5	6.3
1	IV	1.468 x 18 tpi	2.3	7.1
1 1/2	V	2.000 x 18 tpi	2.3	11.1
2	VI	2.375 x 18 tpi	2.3	11.1

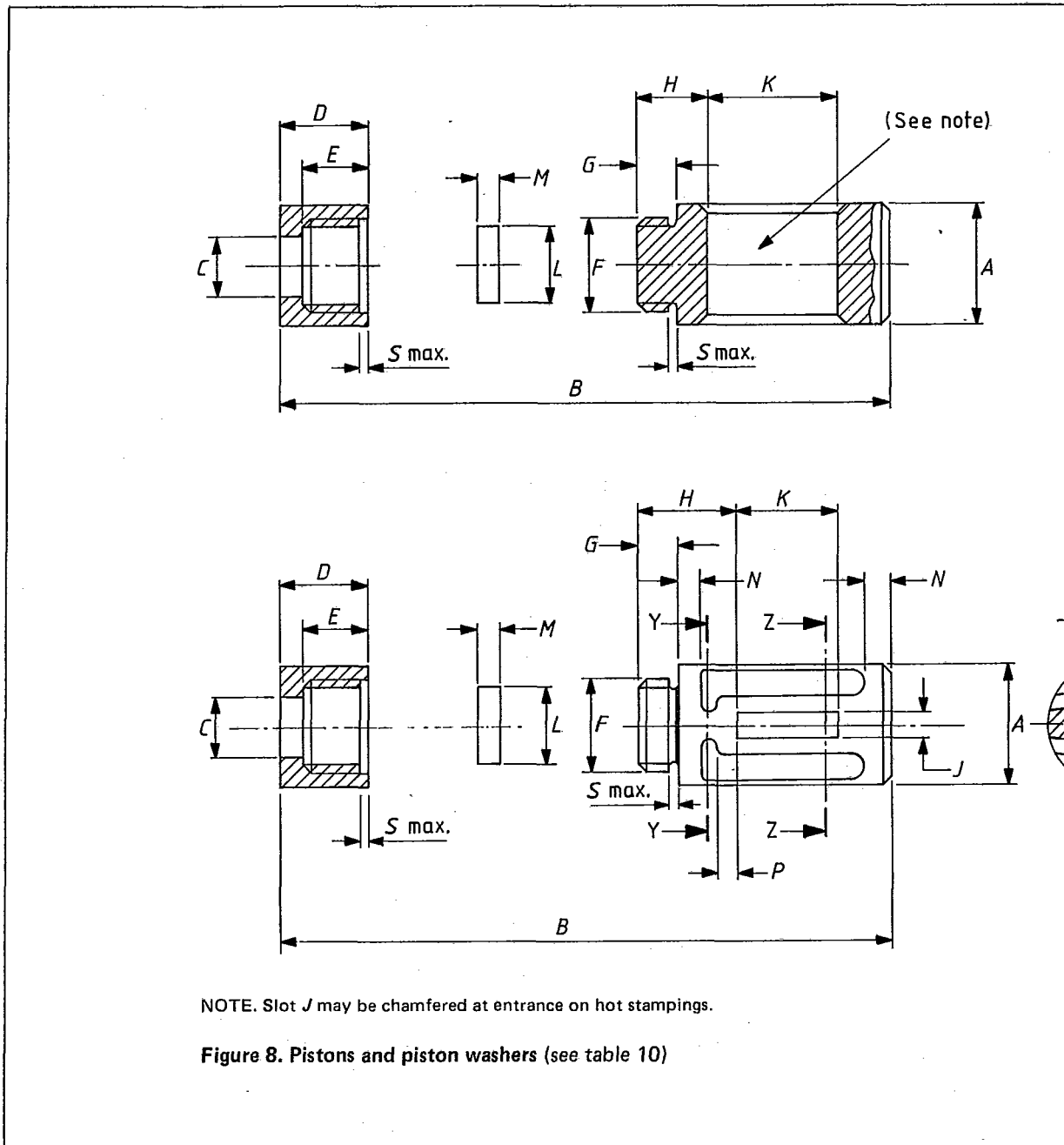
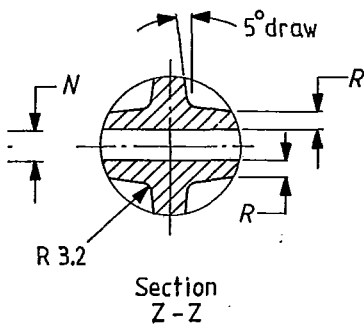


Table 10. Pistons and piston washers (see figure 8)

Nominal size of float operated valve	Body pattern number	Diameter of piston, <i>A</i>		Length of piston assembly, <i>B</i>		Bore in cap, <i>C</i>		Length of cap, <i>D</i>	Length of thread in cap (internal), <i>E</i>	Major diameter of external thread, <i>F</i>
		max.	min.	max.	min.	max.	min.	min.	min.	
$\frac{3}{8}$ and $\frac{1}{2}$	I	15.88	15.75	31.7		9.8	9.5	9.5	7.9	0.531 x 26 tpi
$\frac{1}{2}$	II	22.23	22.10	31.7		15.3	15.0	9.5	7.9	0.781 x 26 tpi
$\frac{3}{4}$	III	26.98	26.85		46.0	19.3	19.0	11.1	9.5	0.937 x 26 tpi
1	IV	31.75	31.62		53.9	24.1	23.8	13.1	11.1	1.125 x 26 tpi
$1\frac{1}{4}$ and $1\frac{1}{2}$	V	44.45	44.32		76.2	32.9	32.5	15.8	13.4	1.562 x 20 tpi
2	VI	52.38	52.24		104.7	40.9	40.5	16.6	14.2	1.875 x 20 tpi



Face of piston to slot, <i>H</i>	Width of lever slot, <i>J</i>		Length of lever slot, <i>K</i>		Diameters of piston washer, <i>L</i>		Thickness of piston washer, <i>M</i>		Thickness of metal at end of piston (cruciform type), <i>N</i>	Thickness of metal at washer end of lever slot (cruciform type), <i>P</i>	Thickness of metal at side of lever slot (cruciform type), <i>R</i>	Width of recess, <i>S</i>
	min.	max.	min.	max.	max.	min.	max.	min.				
mm	mm	mm	mm	mm	mm	mm	mm	mm	mm	mm	mm	mm
7.9	5.0	5.8	16.4	16.9	12.5	12.2	3.5	3.1	—	—	—	1.5
7.9	5.0	5.8	16.4	16.9	18.8	18.5	3.5	3.1	—	—	—	1.5
11.1	6.3	7.1	19.6	20.1	22.7	22.3	3.5	3.1	—	—	—	1.5
14.2	7.2	8.0	23.6	23.6	27.6	27.2	3.5	3.1	—	—	—	1.5
22.2	9.9	10.7	35.8	36.4	38.3	37.9	4.3	3.9	6.3	—	4.7	2.0
31.7	10.8	11.6	45.5	46.1	46.3	45.9	5.1	4.7	7.9	3.9	4.7	2.0

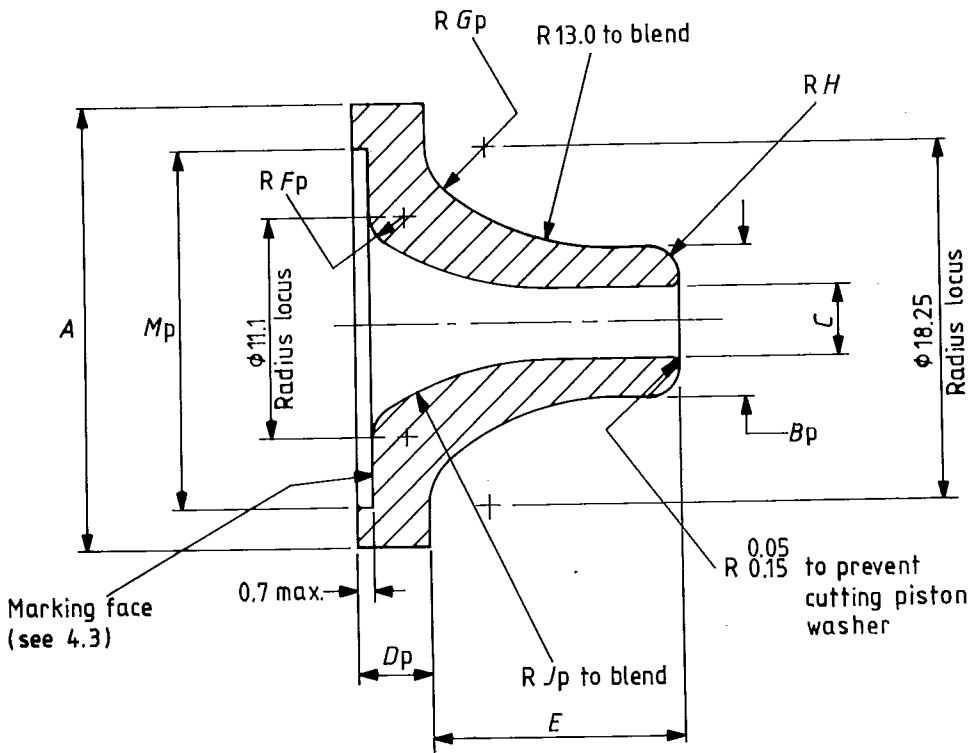
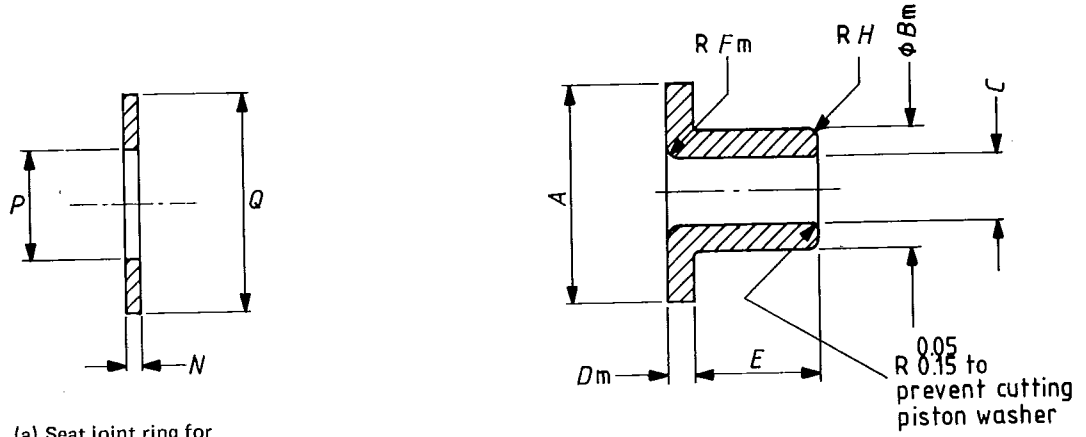
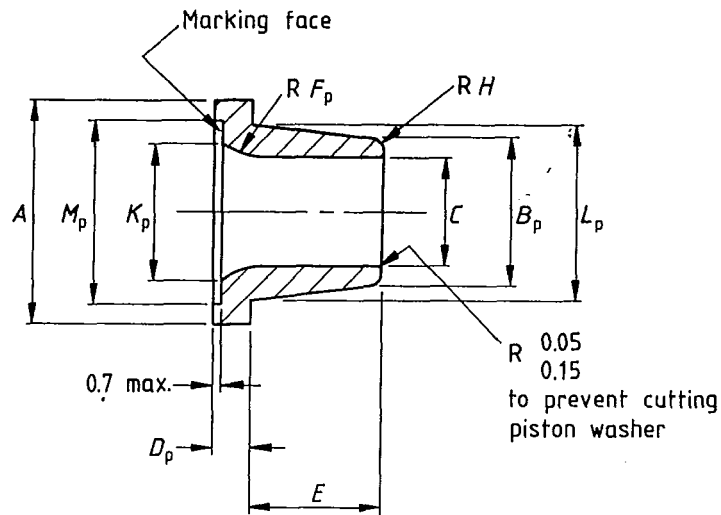


Figure 9. Seats and joint ring for seats (see table 11)

BS 1212 : Part 1 : 1990
 Specification, Section four



(d) Plastics seat for patterns III and IV bodies

Figure 9 (concluded)

Table 11. Seats and joint ring for seats (see figure 9)

Seat number	Body pattern number	Flange diameter, <i>A</i>		Outside diameter of barrel, <i>B_m</i>		Diameter at front of barrel, <i>B_p</i>		Bore of seat, <i>C</i>		Thickness of flange, <i>D_m</i>		Thickness of flange, <i>D_p</i>		Length of seat barrel, <i>E</i>	
		max.	min.	max.	min.	max.	min.	max.	min.	max.	min.	max.	min.	max.	min.
		mm	mm	mm	mm	mm	mm	mm	mm	mm	mm	mm	mm	mm	mm
3 (see note 2)	I and II	22.2	22.0	7.2	6.9	7.2	6.9	3.2	3.0	2.6	2.3	3.8	3.5	12.7	12.4
5	I and II	22.2	22.0	8.8	8.5	8.8	8.5	4.8	4.6	2.6	2.3	3.8	3.5	12.7	12.4
6	II	22.2	22.0	10.4	10.1	10.4	10.1	6.4	6.2	2.6	2.3	3.8	3.5	12.7	12.4
9	II	22.2	22.0	13.5	13.2	13.5	13.2	9.6	9.4	2.6	2.3	3.8	3.5	12.7	12.4
6	III	24.2	24.0	11.2	10.9	11.2	10.9	6.4	6.2	2.6	2.3	3.8	3.5	19.1	18.8
9	III	24.2	24.0	14.3	14.0	14.3	14.0	9.6	9.4	2.6	2.3	3.8	3.5	19.1	18.8
13	III	24.2	24.0	17.5	17.2	17.5	17.2	12.8	12.6	2.6	2.3	3.8	3.5	19.1	18.8
9	IV	28.6	28.4	15.1	14.8	15.1	14.8	9.6	9.4	3.4	3.1	5.0	4.7	19.9	19.6
13	IV	28.6	28.4	18.3	17.9	18.3	17.9	12.8	12.6	3.4	3.1	5.0	4.7	19.9	19.6
16	IV	28.6	28.4	21.5	21.1	21.5	21.1	15.9	15.6	3.4	3.1	5.0	4.7	19.9	19.6
19	V	39.7	39.5	25.4	24.9	—	—	19.1	18.8	4.3	3.9	—	—	27.0	26.7
24	V	39.7	39.5	30.2	29.6	—	—	24.0	23.6	4.3	3.9	—	—	27.0	26.7
25	VI	47.6	47.4	31.8	31.2	—	—	25.6	25.2	5.1	4.7	—	—	35.0	34.7
32	VI	47.6	47.4	38.1	37.6	—	—	31.9	31.5	5.1	4.7	—	—	35.0	34.7

NOTE 1. In the symbols relating to figure 9, suffix *m* applies to metal seats, suffix *p* applies to plastics seats and no suffix indicates metal seats.

NOTE 2. Where the water pressure is higher than that given in table 2, the bore of the seat may be reduced provided the flow is not restricted.

Table 12. Seat numbers

Body pattern	Seat designation
I	3 × I and 5 × I
II	3 × I, 5 × I, 6 × II and 9 × II
III	6 × III, 9 × III and 13 × III
IV	9 × IV, 13 × IV and 16 × IV
V	19 × V and 24 × V
VI	25 × VI and 32 × VI

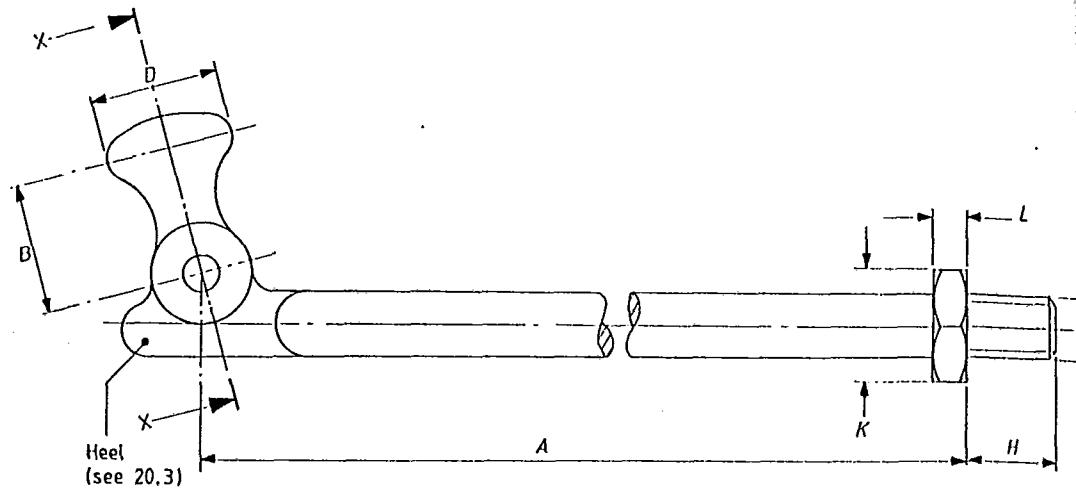
NOTE 1. The necessary combination of seat number, body pattern and size of float to suit the required pressure zone is given in table 2.

NOTE 2. It is recognized that seat designations 3 × I and 5 × I are suitable for use in both body pattern I and body pattern II, without the need for dual marking.

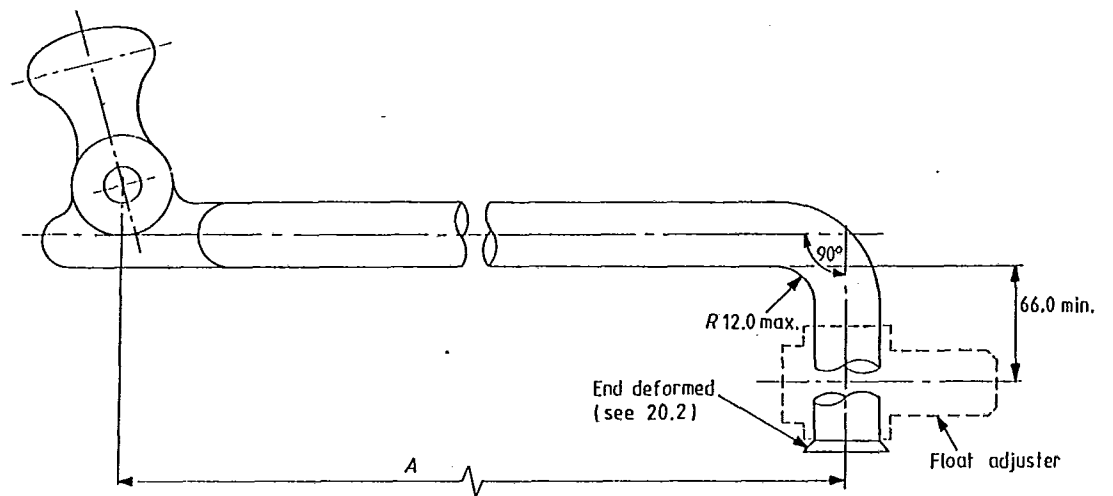
Radius of seat inlet, F_p	Radius of flange, G_p	Radius at seat end, H		Radius (to blend with F_p and C), J_p	Inlet diameter, K_p		Diameter of barrel (flange end), L_p		Diameter of marking recess, M_p		Joint seat ring thickness, N	Joint seat ring bore, P	Joint seat ring outside diameter, Q		Seat colour (plastics)
		max.	min.		max.	min.	max.	min.	max.	min.			max.	min.	
mm	mm	mm	mm	mm	mm	mm	mm	mm	mm	mm	mm	mm	mm	mm	
1.5	3.2	1.6	1.3	19.0	—	—	—	—	18.5	17.5	1.2	11.0	22.1	21.5	White
1.5	3.2	1.6	1.3	19.0	—	—	—	—	18.5	17.5	1.2	11.0	22.1	21.5	Black
1.5	1.6	1.6	1.3	19.0	—	—	—	—	18.5	17.5	1.2	11.0	22.1	21.5	Red
—	1.6	1.6	1.3	—	—	—	—	—	18.5	17.5	1.2	11.0	22.1	21.5	Green
12.5	—	1.6	1.3	—	14.4	14.0	15.0	14.7	20.7	19.7	1.5	15.8	24.1	23.5	Natural
12.5	—	1.6	1.3	—	14.4	14.0	17.5	17.2	20.7	19.7	1.5	15.8	24.1	23.5	Natural
—	—	1.6	1.3	—	12.8	12.6	18.0	17.7	20.7	19.7	1.5	15.8	24.1	23.5	Natural
12.5	—	2.0	1.7	—	16.0	15.6	19.0	18.7	26.0	25.0	1.5	19.0	28.5	27.5	Natural
12.5	—	2.0	1.7	—	17.5	17.1	22.0	21.7	26.0	25.0	1.5	19.0	28.5	27.5	Natural
19.0	—	2.0	1.7	—	17.5	17.1	22.5	22.2	26.0	25.0	1.5	19.0	28.5	27.5	Natural
—	—	2.3	2.0	—	—	—	—	—	—	—	1.5	26.9	39.6	38.5	—
—	—	2.3	2.0	—	—	—	—	—	—	—	1.5	26.9	39.6	38.5	—
—	—	2.3	2.0	—	—	—	—	—	—	—	1.5	34.9	47.5	46.5	—
—	—	2.3	2.0	—	—	—	—	—	—	—	1.5	34.9	47.5	46.5	—

Values apply to both metal and plastics seats.

requently restricted to less than 0.15 L/s.



(a) Basic lever with locknut



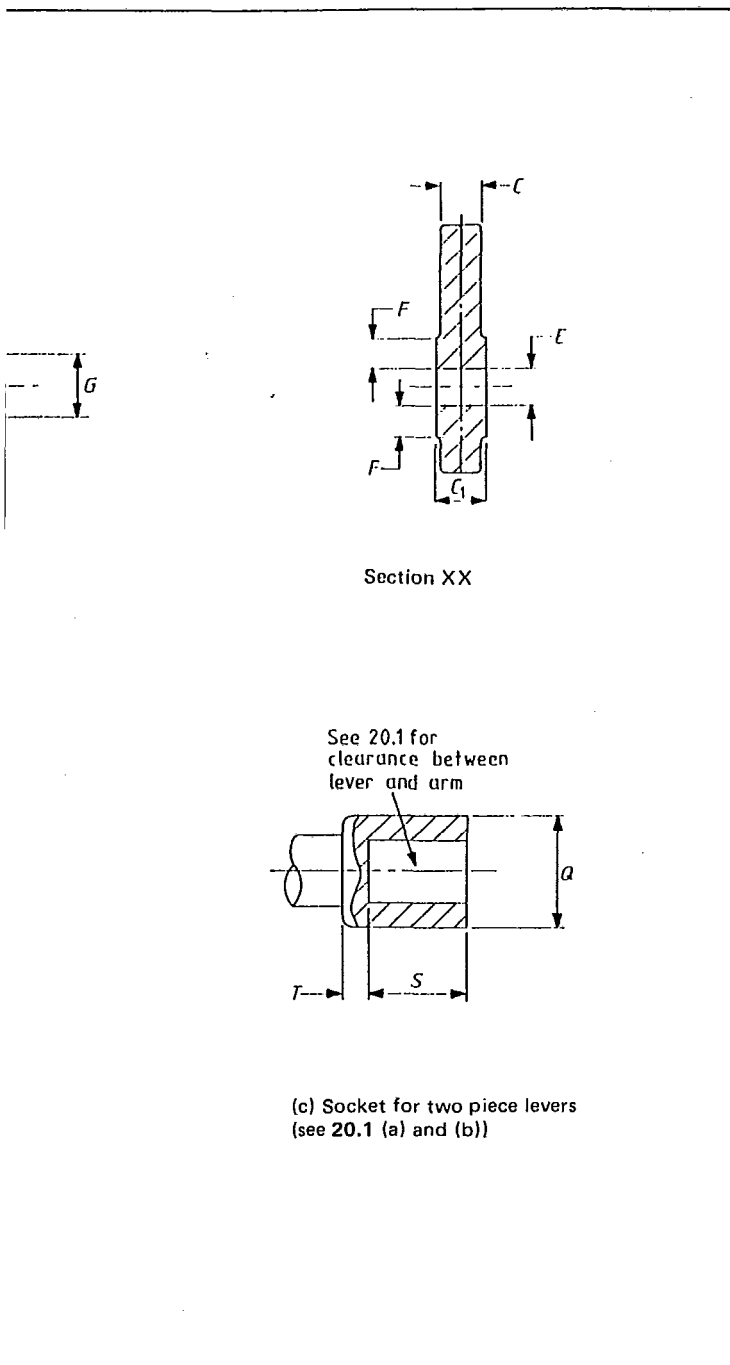
(b) Alternative lever for 3/8 and 1/2 valves (see 20.2 (b))

All dimensions are in millimetres.
 NOTE 1. Figure shows typical example only.
 NOTE 2. For details of lever heel see 20.3.

Figure 10. Levers and socket for soldered joint for two piece levers (see table 13)

Table 13. Levers (see figures 10 and 11)

Nominal size of float operated valve	Length of lever fulcrum to face of locknut (long arm), A	Length of short arm, B	Thickness of short arm, C		Thickness of metal around fulcrum hole, C ₁		Size over end of short arm, D		Diameter of hole for split cotter pin, E	Width of metal around fulcrum hole, F	Diameter of thread BSW lever end, G	Length of clear thread on float end of rod, H		Size of locknut, BSW, J
			min.	max.	min.	max.	min.	max.				max.	min.	
1/2	mm	mm	mm	mm	mm	mm	mm	mm	mm	mm	in	mm	mm	in
3/4	210	15.8	4.0	4.4	4.7	5.0	15.8	16.3	4.8	3.9	5/16	12.7	10.2	5/16
1	320	20.6	5.5	6.0	5.5	6.0	19.0	19.5	6.3	4.7	5/16	12.7	10.2	5/16
1 1/2	390	25.4	6.3	6.8	6.3	6.8	22.2	22.7	6.3	5.5	7/16	18.8	16.3	7/16
2	550	34.9	8.7	9.2	8.7	9.2	34.9	35.6	7.9	7.1	9/16	—	17.3	9/16
	710	44.4	9.5	10.0	9.5	10.0	44.4	45.1	9.5	7.9	5/8	—	23.6	5/8



Size over flats of locknut, BSW, <i>K</i>	Thickness of locknut, BSW, <i>L</i>	Length of split cotter pin, <i>M</i>	Nominal diameter of split cotter pin, <i>P</i>		Diameter of heel boss, <i>Q</i>	Axial length of socket, <i>S</i>	Thickness of metal at bottom of soldered or screwed socket, <i>T</i>
					min.	min.	min.
max.	min.	max.			min.	min.	min.
mm	mm	mm	in	mm	mm	mm	mm
13.3	3.9	25	3/16	4	—	—	—
13.3	3.9	32	1/4	6.3	12.7	11.8	2.3
18.0	6.1	32	1/4	6.3	17.7	16.6	3.3
23.4	8.2	50	5/16	8	22.8	21.4	4.2
25.7	9.2	50	3/8	10	25.4	23.7	4.7

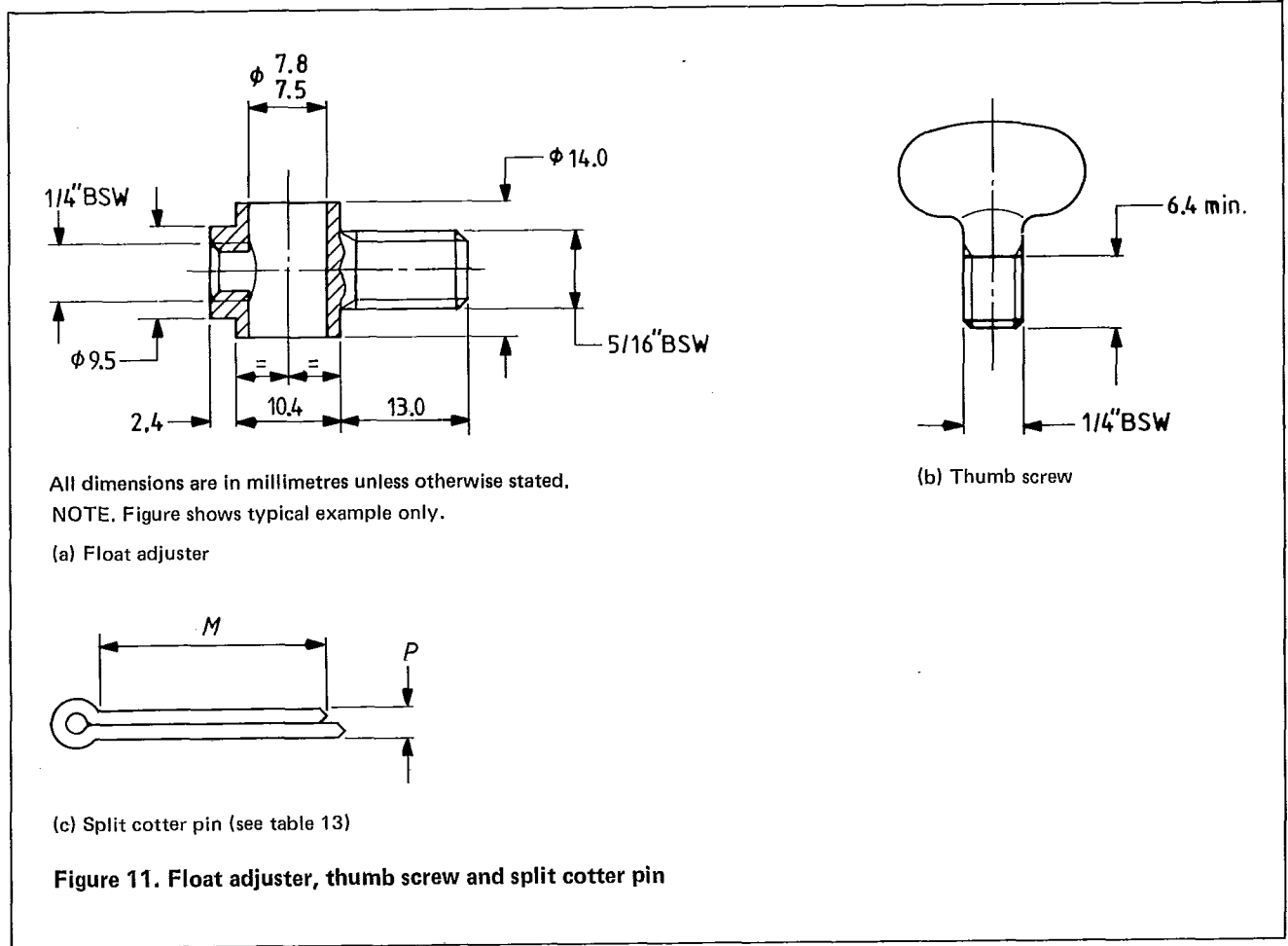


Figure 11. Float adjuster, thumb screw and split cotter pin

Appendices

Appendix A. Method of test for shut-off when assembled with appropriate float

A.1 Apparatus

A.1.1 Cistern, which allows the attached float to be half immersed in water and in which the float valve can be installed.

A.1.2 Means of supplying water, to provide the required pressure.

A.1.3 Pressure gauge, to indicate test pressure.

A.2 Procedure

Install the float valve, assembled with the required combination of body, seat and float indicated in table 2, in the cistern (A.1.1). Fill the cistern with water until the float is immersed to half its volume. Gradually apply the pressure indicated in table 2 for the appropriate combination of body, seat and float. Record any leakage from the float valve outlet.

Appendix B. Method of test for distortion of size 1/2 plastics backnuts

B.1 Apparatus

B.1.1 Test plate, which is a stainless steel spacer manufactured from material complying with Grade 416S21 of BS 970 : Part 4 : 1970 that has minimum outside dimensions of 50 mm x 19 mm and a centralized circular hole of 27.5 mm.

The spacer shall have both flat surfaces prepared to a finish of 0.8 µm to 1.0 µm (R_a) (see BS 1134) when measured in all directions and shall have been hardened in oil or air at 950 °C to 1020 °C and tempered at 150 °C to 250 °C.

B.1.2 Open ended spanner, which is a snug fit on the flats or ribs of the backnut.

B.2 Procedure

Screw a type (b) backnut on to the inlet shank, insert the assembly through the test plate (B.1.1) and attach the plastics backnut that is to be tested. Apply a torque of 15 N·m to the backnut with the open ended spanner (B.1.2).

Appendix C. Method of test for distortion of plastics locknuts

C.1 Apparatus

C.1.1 Metallic test plate, nominally 15 mm thick, tapped with a thread corresponding to the screwing size indicated in table 13.

C.1.2 Metallic bolt, of the corresponding size, screwed into the metallic test plate (C.1.1) to project through a minimum of 15 mm.

C.1.3 Open ended spanner, which is a snug fit on the locknut hexagon.

C.2 Procedure

Tighten the locknut on to the metallic test plate (C.1.1) with a torque of 3 N·m using the open ended spanner (C.1.3).

Appendix D. Method of test for mechanical strength of levers

D.1 Apparatus

Rigid fixture, to hold lever.

D.2 Procedure

Mount lever in the rigid fixture and gradually apply the test load given in table 14 at the radius from the fulcrum given in table 14 for 1 min. Record any permanent set.

Nominal size	Test load radius from fulcrum	Test load
	mm	kg
$\frac{3}{8}$ and $\frac{1}{2}$	210	1.1
$\frac{3}{4}$	320	3.1
1	390	5.5
$1\frac{1}{4}$ and $1\frac{1}{2}$	550	9.5
2	710	16.0

Appendix E. Discharge of water through piston type float operated valves

The pressure against which float operated valves are required to shut-off (see table 2) is always greater than the running pressure and sometimes considerably greater.

The discharge through a float operated valve is governed by the running pressure maintained at the inlet and so it is not possible to state for a particular assembly what flow can be expected in relation to the shutting-off pressure.

In the case of the smaller float operated valves, there is a considerable margin of capacity above the normal domestic demand and consequently it is unlikely that any difficulty will arise. However, for very low pressures the larger bore seats should be used.

In general, the discharge coefficients for short tubes can be applied to float operated valve practice, and maximum efficiency is probable with a seat bore that is not greater than half the inlet bore.

Table 15 shows computed flows and is given for guidance in choosing the size of valve to be adopted and it is based

on the equation given below. A unit area (1 mm^2) at unit velocity (1 m/s) with coefficient of discharge 0.75 gives 0.00075 L/s (constant). Constant $(0.00075) \times$ area of orifice \times velocity $(4.4 \sqrt{H}) =$ flow. However, it is not intended that a test for flow should be made, except by special arrangement between the manufacturer and the user.

Table 15. Computed flow through seat orifices

Pressure of water	Head of water, H	\sqrt{H}	Velocity $V (= 4.4\sqrt{H})$	Diameter of orifice (in mm)																	
				3.1	4.7	6.3	9.5	12.7	15.8	19.0	23.8	25.4	31.7								
				Area of orifice (in mm ²)																	
				7.55	17.35	31.18	70.89	126.7	196.1	283.6	444.9	506.6	789.4								
				Secondary constant (area X 0.00075)																	
				0.0057	0.0100	0.0234	0.0532	0.095	0.147	0.213	0.334	0.380	0.592								
				Discharge (secondary constant X velocity)																	
bar	m	m	m	L/s	L/s	L/s	L/s	L/s	L/s	L/s	L/s	L/s	L/s	L/s	L/s	L/s	L/s	L/s	L/s	L/s	L/s
0.039	0.4	0.63	2.77	0.016	0.036	0.065	0.147	0.263	0.407	0.590	0.926	1.05	1.64								
0.098	1.0	1.0	4.4	0.025	0.057	0.103	0.234	0.418	0.647	0.937	1.47	1.67	2.60								
0.246	2.5	1.58	6.95	0.039	0.090	0.162	0.370	0.661	1.02	1.48	2.32	2.64	4.12								
0.393	4.0	2.0	8.8	0.050	0.114	0.206	0.468	0.836	1.29	1.87	2.94	3.34	5.21								
0.881	9.0	3.0	13.2	0.075	0.172	0.308	0.702	1.25	1.94	2.81	4.41	5.02	7.81								
1.97	16.0	4.0	17.6	0.1	0.228	0.412	0.936	1.67	2.59	3.75	5.88	6.69	10.4								
2.06	21.0	4.58	20.2	0.114	0.262	0.473	1.07	1.92	2.97	4.31	6.75	7.68	12.0								
2.46	25.0	5.0	22.0	0.124	0.286	0.515	1.17	2.09	3.24	4.69	7.35	8.36	13.0								
3.54	36.0	6.0	26.4	0.149	0.344	0.618	1.40	2.51	3.88	5.63	8.82	10.0	15.6								
4.23	43.0	6.56	28.8	0.163	0.371	0.671	1.53	2.71	4.24	6.14	9.62	10.9	17.0								
4.81	49.0	7.0	30.8	0.174	0.400	0.721	1.64	2.93	4.53	6.56	10.3	11.7	18.2								
5.6	57.0	7.55	33.2	0.188	0.432	0.777	1.77	3.16	4.88	7.07	11.1	12.6	19.7								
6.28	64.0	8.0	35.2	0.199	0.458	0.824	1.87	3.35	5.17	7.50	11.8	13.4	20.8								
7.36	75.0	8.66	38.1	0.216	0.495	0.891	2.02	3.62	5.61	8.11	12.7	14.5	22.6								
7.95	81.0	9.0	39.6	0.224	0.515	0.927	2.10	3.76	5.82	8.44	13.2	15.0	23.4								
9.24	94.0	9.7	42.7	0.244	0.555	1.00	2.27	4.06	6.28	9.10	14.3	16.2	25.3								
9.83	100	10.0	44.0	0.249	0.572	1.03	2.34	4.18	6.46	9.37	14.7	16.7	26.0								
11.9	121	11.0	48.4	0.274	0.628	1.16	2.57	4.59	7.11	10.3	16.2	18.4	28.6								
14.1	144	12.0	52.8	0.298	0.686	1.24	2.81	5.02	7.76	11.3	17.6	20.0	31.2								

Publications referred to

- BS 84 Parallel screw threads of Whitworth form
- BS 864 Capillary and compression tube fittings of copper and copper alloy
Part 2 Specification for capillary and compression fittings for copper tubes
- BS 903 Methods of testing vulcanized rubber
Part A26 Determination of hardness
- BS 970 Wrought steels (blooms, billets, bars and forgings)
Part 4 Stainless, heat resisting and valve steels
- BS 1083 Precision hexagon bolts, screws and nuts (B.S.W. and B.S.F. threads)
- BS 1125 WC flushing cisterns (including dual flush cisterns and flush pipes)
- BS 1134 Assessment of surface texture
- BS 1212 Specification for float operated valves (excluding floats)
*Part 3 Diaphragm type (plastics body) for cold water services
- BS 1400 Copper alloy ingots and copper and copper alloy and high conductivity copper castings
- BS 1574 Split cotter pins. Metric and inch series
- BS 1968 Floats for ballvalves (copper)
- BS 2456 Floats (plastics) for ballvalves for hot and cold water
- BS 2779 Pipe threads where pressure-tight joints are not made on the threads
- BS 2782 Methods of testing plastics
Part 3 Mechanical properties
Method 365B Determination of indentation hardness by means of a durometer (Shore hardness)
- BS 2871 Copper and copper alloys. Tubes
Part 1 Copper tubes for water, gas and sanitation
- BS 2872 Copper and copper alloys. Forging stock and forgings
- BS 2874 Copper and copper alloys. Rods and sections (other than forging stock)
- BS 3885 Tolerances for hot brass stampings
- BS 3964 Specification for flexible vulcanized fibre sheets
- BS 5292 Specification for jointing materials and compounds for installations using water, low-pressure steam or 1st, 2nd and 3rd family gases
- BS 6615 Specification for dimensional tolerances for metal and metal alloy castings
- BS 6700 Specification for design, installation, testing and maintenance of services supplying water for domestic use *within buildings and their curtilages*
- BS 6920 Suitability of non-metallic products for use in contact with water intended for human consumption with regard to their effect on the quality of the water
Part 1 Specification

*Referred to in the foreword only.
†In preparation.

This British Standard, having been prepared under the direction of the Building Services Standards Committee, was published under the authority of the Board of BSI and comes into effect on 29 June 1990

© British Standards Institutions, 1990

First published December 1946

First revision November 1963

Second revision June 1990

ISBN 0 580 15845 4

The following BSI references relate to the work on this standard:
Committee reference SEB/2 Draft for comment 83/11864 DC

British Standards Institution. Incorporated by Royal Charter, BSI is the independent national body for the preparation of British Standards. It is the UK member of the International Organization for Standardization and UK sponsor of the British National Committee of the International Electrotechnical Commission.

In addition to the preparation and promulgation of standards, BSI offers specialist services including the provision of information through the BSI Library and Standardline Database; Technical Help to Exporters; and other services. Advice can be obtained from the Enquiry Section, BSI, Milton Keynes MK14 6LE, telephone 0908 221166, telex 825777.

Copyright. Users of British Standards are reminded that copyright subsists in all BSI publications. No part of this publication may be reproduced in any form without the prior permission in writing of

BSI. This does not preclude the free use, in the course of implementing the standard, of necessary details such as symbols and size, type or grade designations. Enquiries should be addressed to the Publications Manager, BSI, Linford Wood, Milton Keynes MK14 6LE. The number for telephone enquiries is 0908 220022 and for telex 825777.

Contract requirements. A British Standard does not purport to include all the necessary provisions of a contract. Users of British Standards are responsible for their correct application.

Revision of British Standards. British Standards are revised, when necessary, by the issue either of amendments or of revised editions. It is important that users of British Standards should ascertain that they are in possession of the latest amendments or editions.

Automatic updating service. BSI provides an economic, individual and automatic standards updating service called **PLUS**. Details are available from BSI Enquiry Section at Milton Keynes, telephone 0908 221166, telex 825777.

Information on all BSI publications is in the BSI Catalogue, supplemented each month by *BSI News* which is available to subscribing members of BSI and gives details of new publications, revisions, amendments and withdrawn standards. Any person who, when making use of a British Standard, encounters an inaccuracy or ambiguity, is requested to notify BSI without delay in order that the matter may be investigated and appropriate action taken.

Committees responsible for this British Standard

The preparation of this British Standard was entrusted by the Building Services Standards Committee (SEB/-) to Technical Committee SEB/2 upon which the following bodies were represented:

Association of Manufacturers of Domestic Electrical Appliances
Association of Manufacturers of Domestic Unvented Supply Systems Equipment (MODUSSE)
Association of Water Officers Ltd.
British Bath Manufacturers' Association
British Gas plc
British Non-ferrous Metals Federation
British Plastics Federation
British Valve Manufacturers' Association Ltd.
Builders' Merchants' Federation
Consumer Standards Advisory Committee of BSI
Copper Tube Fittings Manufacturers' Association
Council of British Ceramic Sanitaryware Manufacturers
Department of the Environment (Building Research Establishment)

Department of the Environment (Property Services Agency)
Department of the Environment (Water Directorate)
Department of Trade and Industry (National Weights and Measures Laboratory)
Institute of Clerks of Works of Great Britain Inc.
Institute of Plumbing
Institution of Gas Engineers
Institution of Public Health Engineers
Institution of Water Engineers and Scientists
Metal Sink Manufacturers' Association
National Association of Plumbing, Heating and Mechanical Services Contractors
National Brassfoundry Association
Royal Institute of British Architects
Society of British Gas Industries
South London Consortium
Water Authorities' Association
Water Companies' Association

Amendments issued since publication

Amd. No.	Date of issue	Text affected

British Standards Institution · 2 Park Street London W1A 2BS · Telephone 01-629 9000 · Telex 266933