



BSI Standards Publication

Fine ceramics (advanced ceramics, advanced technical ceramics) — Test method for cyclic bending fatigue of porous ceramics at room temperature

National foreword

This British Standard is the UK implementation of ISO 28704:2011.

The UK participation in its preparation was entrusted to Technical Committee RPI/13, Advanced technical ceramics.

A list of organizations represented on this committee can be obtained on request to its secretary.

This publication does not purport to include all the necessary provisions of a contract. Users are responsible for its correct application.

© BSI 2011

ISBN 978 0 580 66976 7

ICS 81.060.30

Compliance with a British Standard cannot confer immunity from legal obligations.

This British Standard was published under the authority of the Standards Policy and Strategy Committee on 30 September 2011.

Amendments issued since publication

Date	Text affected
------	---------------

**Fine ceramics (advanced ceramics,
advanced technical ceramics) — Test
method for cyclic bending fatigue of
porous ceramics at room temperature**

*Céramiques techniques — Méthode d'essai de fatigue par flexion
cyclique des céramiques poreuses à température ambiante*





COPYRIGHT PROTECTED DOCUMENT

© ISO 2011

All rights reserved. Unless otherwise specified, no part of this publication may be reproduced or utilized in any form or by any means, electronic or mechanical, including photocopying and microfilm, without permission in writing from either ISO at the address below or ISO's member body in the country of the requester.

ISO copyright office
Case postale 56 • CH-1211 Geneva 20
Tel. + 41 22 749 01 11
Fax + 41 22 749 09 47
E-mail copyright@iso.org
Web www.iso.org

Published in Switzerland

Contents

Page

Foreword	iv
1 Scope	1
2 Normative references	1
3 Terms and definitions	1
4 Testing machine and equipment	3
4.1 Testing machine	3
4.2 Loading precision	3
4.3 Test fixture	4
4.4 Micrometer callipers for measurement of external dimensions	4
4.5 Dial gauge	4
4.6 Vernier callipers	4
5 Test piece	5
5.1 Test piece size	5
5.2 Test piece preparation	5
6 Test method	5
6.1 Waveform of loading stress	5
6.2 Loading method	5
6.3 Number of cycles for interruption	6
6.4 Reuse of test piece	6
6.5 Recommended test procedure in fatigue test	6
6.6 Test environment	6
7 Treatment of test result	6
7.1 Maximum stress	6
7.2 Number of cycles to failure	7
7.3 <i>S-N</i> plot	7
8 Test report	7

Foreword

ISO (the International Organization for Standardization) is a worldwide federation of national standards bodies (ISO member bodies). The work of preparing International Standards is normally carried out through ISO technical committees. Each member body interested in a subject for which a technical committee has been established has the right to be represented on that committee. International organizations, governmental and non-governmental, in liaison with ISO, also take part in the work. ISO collaborates closely with the International Electrotechnical Commission (IEC) on all matters of electrotechnical standardization.

International Standards are drafted in accordance with the rules given in the ISO/IEC Directives, Part 2.

The main task of technical committees is to prepare International Standards. Draft International Standards adopted by the technical committees are circulated to the member bodies for voting. Publication as an International Standard requires approval by at least 75 % of the member bodies casting a vote.

Attention is drawn to the possibility that some of the elements of this document may be the subject of patent rights. ISO shall not be held responsible for identifying any or all such patent rights.

ISO 28704 was prepared by Technical Committee ISO/TC 206, *Fine ceramics*.

Fine ceramics (advanced ceramics, advanced technical ceramics) — Test method for cyclic bending fatigue of porous ceramics at room temperature

1 Scope

This International Standard specifies a test method for determining the cyclic four-point bending fatigue of porous ceramics in air at room temperature.

2 Normative references

The following referenced documents are indispensable for the application of this document. For dated references, only the edition cited applies. For undated references, the latest edition of the referenced document (including any amendments) applies.

ISO 463, *Geometrical Product Specifications (GPS) — Dimensional measuring equipment — Design and metrological characteristics of mechanical dial gauges*

ISO 1101, *Geometrical Product Specifications (GPS) — Geometrical tolerancing — Tolerancing of form, orientation, location and run-out*

ISO 3611, *Geometrical product specifications (GPS) — Dimensional measuring equipment: Micrometers for external measurements — Design and metrological characteristics*

ISO 3599, *Vernier callipers reading to 0,1 and 0,05 mm*

ISO 4287, *Geometrical Product Specifications (GPS) — Surface texture: Profile method — Terms, definitions and surface texture parameters*

ISO 14704, *Fine ceramics (advanced ceramics, advanced technical ceramics) — Test method for flexural strength of monolithic ceramics at room temperature*

ISO 20507, *Fine ceramics (advanced ceramics, advanced technical ceramics) — Vocabulary*

ISO 22214, *Fine ceramics (advanced ceramics, advanced technical ceramics) — Test method for cyclic bending fatigue of monolithic ceramics at room temperature*

ISO 80000-1, *Quantities and units — Part 1: General*

3 Terms and definitions

For the purposes of this document, the terms and definitions in ISO 20507 and the following apply.

3.1

porous fine ceramics

ceramics with a porosity of typically 30 % to 60 % and a pore diameter of 1 μm to 100 μm , for applications such as filters, catalyst carriers, humidity sensors or molecular sieves, excluding structured honeycomb cellular channels

3.2

fatigue test

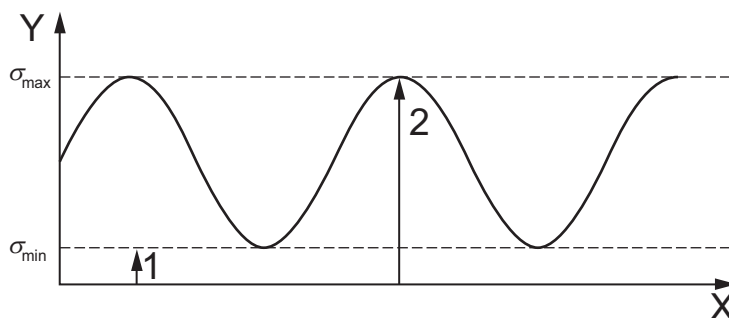
test wherein a test piece is subjected to repeated stressing to a set stress level, and the number of cycles to fracture is determined

3.3
four-point bending stress
maximum value of stress generated in flexure in a bar-shaped test piece when supported at two support points near its ends and loaded symmetrically by two loading points between them

3.4
cyclic stress
stress which is simply and cyclically loaded between a specific maximum value and a specific minimum value (see Figure 1)

3.5
maximum stress
 σ_{\max}
maximum value of cyclic stress (see Figure 1)

3.6
minimum stress
 σ_{\min}
minimum value of cyclic stress (see Figure 1)



Key
X time
Y stress
1 σ_{\min}
2 σ_{\max}

Figure 1 — Cyclic stress

3.7
minimum to maximum stress ratio
 R
ratio of minimum stress to maximum stress

$$R = \frac{\sigma_{\min}}{\sigma_{\max}} \tag{1}$$

3.8
number of cycles
 n
number of cycles of stress in the fatigue test

3.9
number of cycles to failure
 N
number of cycles of stress until fatigue failure occurs

3.10

failure time

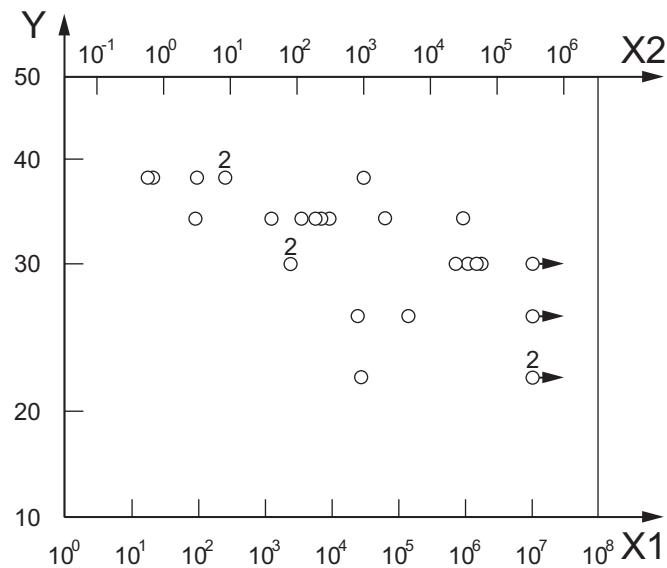
loading time until fatigue failure occurs

3.11

***S-N* plot**

diagram wherein the maximum stress, *S*, is taken as an ordinate and the fracture number of cycles, *N*, is taken as an abscissa

NOTE An example is given in Figure 2, where the number attached to the data point indicates the number of test pieces and the data with a right-pointing arrow indicates a “run-out”.



Key

- X1 number of cycles to failure, *N*
- X2 time to failure (s)
- Y maximum stress (MPa)
- 2 number of superimposed points

Figure 2 — Example of *S-N* plot

4 Testing machine and equipment

4.1 Testing machine

A testing machine shall be so constructed that a cyclic bending stress can be applied to a test piece, and a force or moment other than the cyclic bending stress is not applied. The testing machine shall be equipped with apparatus for measuring or indicating the maximum and minimum load, apparatus capable of measuring the number of cycles until the test piece is broken, and a mechanism wherein when the testing machine is stopped for reasons of power failure or others, its automatic reactivation is prevented.

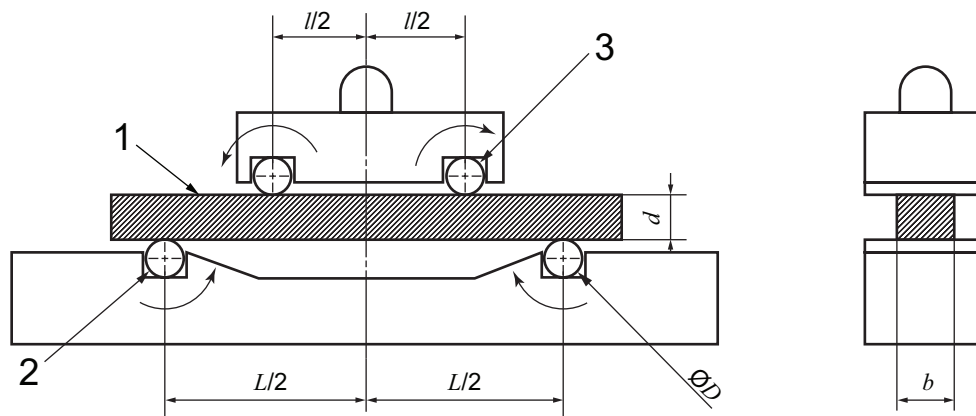
4.2 Loading precision

The fluctuation of the maximum stress shall be within ± 1 % of the chosen value, and that of the minimum to maximum stress ratio shall be within ± 5 % thereof, as specified in ISO 22214.

4.3 Test fixture

A four-point flexure fixture of the type and function shown in ISO 14704 shall be used (see Figure 3). The use of a semi- or fully-articulating fixture is required to prevent torsional deformation. Bearings supporting the test piece at the support points and loading the test piece at the loading points shall be of equal shape and have a length exceeding the width of the test piece. The material of the bearings shall have an elastic modulus of at least 140 GPa, and shall be free from plastic deformation; the bearing shall never break during the test. The radius of curvature at the tip of the bearings shall be 2,0 mm to 3,0 mm, and their surface roughness, R_a , as specified in ISO 4287, shall be not greater than 0,40 μm .

The test piece and/or its bearings may move during the test. Precautions should be taken where possible to minimise such movement without restricting the flexural displacement, for example, by providing support rollers with restraint against a stop in the correct position.



Key

- 1 test piece
- 2 external support
- 3 internal support
- D roller diameter (4 to 6 mm)
- L outer span ($L = 60 \text{ mm} \pm 0,5 \text{ mm}$)
- l inner span ($l = 30 \text{ mm} \pm 0,5 \text{ mm}$)

Figure 3 — Four-point flexure fixture

4.4 Micrometer callipers for measurement of external dimensions

Micrometer callipers for the measurement of external dimensions with the same accuracy of 0,01 mm as specified in ISO 3611, or better, shall be used.

4.5 Dial gauge

Dial gauges with the same accuracy of minimum reading of 0,01 mm as specified in ISO 463, or better, shall be used.

4.6 Vernier callipers

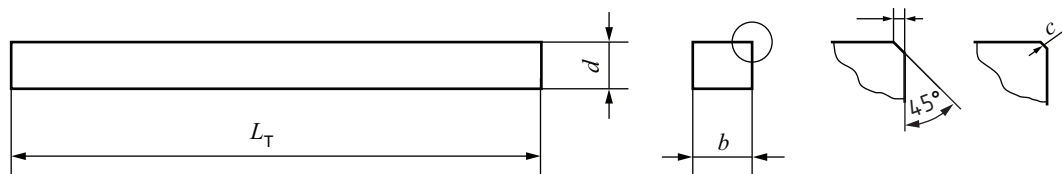
Vernier callipers with the same accuracy of minimum reading of 0,05 mm as specified in ISO 3599, or better, shall be used.

5 Test piece

5.1 Test piece size

The shape of a test piece shall be a beam of uniform rectangular cross-section. Its standard dimensions shall be $70 \text{ mm} \pm 0,5 \text{ mm}$ in total length, $8,0 \text{ mm} \pm 0,1 \text{ mm}$ in width, and $6,0 \text{ mm} \pm 0,1 \text{ mm}$ in thickness. The parallelism between the upper and lower surfaces of the test piece shall be better than $0,02 \text{ mm}$, as specified in ISO 1101. The longer edges shall be rounded or chamfered by an amount of $0,1 \text{ mm}$ to $0,3 \text{ mm}$, as given in Figure 4. This chamfering shall be carried out with caution so as not to introduce defects resulting in a fracture initiation site. The chamfering is not necessary when the grain size of material is larger than $0,1 \text{ mm}$. Before carrying out the test, the width and thickness of the test piece shall be measured to the nearest $0,1 \text{ mm}$ by using micrometer callipers (4.4).

If, for any reason, different test piece dimensions have to be used, they shall be stated in the test report.



Key

- L_T length of test piece ($L_T = 70 \text{ mm} \pm 0,5 \text{ mm}$)
- b width of test piece ($b = 8,0 \text{ mm} \pm 0,1 \text{ mm}$)
- d thickness of test piece ($d = 6,0 \text{ mm} \pm 0,1 \text{ mm}$)
- c chamfer or rounding ($c = 0,1 \text{ mm}$ to $0,3 \text{ mm}$)

Figure 4 — Test piece dimensions and chamfering of ridge line

5.2 Test piece preparation

The surface shall be finished by grinding with a wheel of grain size $20 \mu\text{m}$ or smaller. The contamination by wax, if any, should be removed by organic solution or by heating at 773 K ($500 \text{ }^\circ\text{C}$) for 1 h to evaporate wax.

6 Test method

6.1 Waveform of loading stress

The waveform shall be sinusoidal and the ratio of minimum to maximum stress $R = 0,1$. The frequency shall be selected by agreement between parties, with 20 Hz being recommended. For other cases, the waveform of the loading stress shall be stated in the test report. A series of tests shall be carried out using the same stress waveform.

6.2 Loading method

6.2.1 The distances between internal support points and external support points shall be measured by a calliper before the tests.

6.2.2 The test piece shall be centrally positioned in the test fixture.

6.2.3 The number of cycles from the start of loading to the end of adjusting to a specific cyclic loading stress shall be as few as possible. In this case, the stress during initial adjusting shall not exceed the specific maximum stress.

6.2.4 The test shall, as a rule, be carried out without a pause on the same test piece from start to end. However, when the test is interrupted for any reason, the number of cycles to the interruption and the duration of interruption shall be recorded.

6.2.5 The fatigue test shall be carried out on at least three test pieces at each of at least three maximum stress levels.

6.3 Number of cycles for interruption

Unless otherwise specified, if the test piece is not fractured by 10^7 loading cycles, the test may be halted, and the result deemed to be a "run-out" and indicated on the plot of results with a right-pointing arrow.

6.4 Reuse of test piece

Do not reuse a test piece which has been used once.

6.5 Recommended test procedure in fatigue test

When the maximum stress and the number of test pieces in a fatigue test are not previously agreed upon between the purchaser and the supplier, the test may be carried out according to the following procedure.

6.5.1 Measurement of flexural strength

In order to obtain the standard value of the maximum stress in a fatigue test, measure the flexural strength of a test piece prior to the fatigue test. Use the test piece of the same shape as that of a fatigue test piece for measurement of flexural strength, and obtain it by the same loading method as that of the fatigue test. Allow the speed of a cross-head in the measurement of flexural strength to be 0,5 mm/min. Calculate the flexural strength from the measured maximum forces of respective test pieces.

6.5.2 Stress level in fatigue test

Determine the maximum stress in a fatigue test by referring to the arithmetic mean value of the flexural strength obtained by the measurement in 6.5.1. Start the fatigue test from a condition wherein the maximum stress is high, and preferably measure the life of at least three test pieces by the same stress. When all the test pieces tested at the same stress are unfailed at the selected number of cycles for test termination, select a higher stress level for the next group of test pieces. Do not carry out tests at a lower stress level. It is preferred that the results of a test programme should contain at least three valid failures at each of at least three maximum stress levels.

6.6 Test environment

The moisture content in the test environment may have an influence on the cyclic fatigue behaviour. For tests in air or other gaseous environments, the test temperature and humidity should be measured and reported at least at the beginning and the end of each test, or hourly if the test duration is longer than 1 h.

7 Treatment of test result

7.1 Maximum stress

Calculate the maximum stress according to the following equation from the measuring values of respective test pieces, and round off to three significant figures in accordance with ISO 80000-1.

$$\sigma_{\max} = \frac{3P_{\max}(L-l)}{2bd^2} \quad (2)$$

where

- σ_{\max} is the maximum stress, in megapascals (MPa);
- P_{\max} is the maximum force, in newtons (N);
- l is the distance between internal support points, in millimetres (mm);
- L is the distance between external support points, in millimetres (mm);
- b is the width of the test piece, in millimetres (mm);
- d is the thickness of the test piece, in millimetres (mm).

7.2 Number of cycles to failure

The number of cycles shall be counted by starting from when a load on a test piece reaches a specific testing stress. If the stress is adjusted during the test, the cycles for adjustment shall be included in N . Represent the number of cycles of the test result by, for example, multiple of 10^n such as $2,34 \times 10^6$, and round off to three significant figures.

7.3 $S-N$ plot

Draw a $S-N$ diagram by taking the maximum stress or its logarithmic value as the ordinate, and the logarithmic value of the number of cycles to failure as the abscissa. When the life is displayed in time, the number of cycles to failure is scaled on the underside of the abscissa, and the failure time is scaled on the upper side of the abscissa. A point expressing the test result for the test piece that is not broken is marked with a rightward arrow. An example of the $S-N$ diagram is given in Figure 2.

NOTE 1 In the $S-N$ diagram, when at least two points are superimposed, the number of points is clearly described, or arrows are marked by the number of points as shown in Figure 2.

NOTE 2 When the arrow is superimposed on a marked line, the arrow is marked clearly by drawing it upward or downward.

8 Test report

The test report shall include the following information:

- a) name and class of material;
- b) dimensions (mean values) of the test piece;
- c) name of testing machine and its type;
- d) test environment, including temperature and humidity;
- e) loading conditions (loading method, loading waveform, loading frequency, minimum to maximum stress ratio, and the number of cycles to the moment when a test is temporarily stopped midway and its stop time);
- f) list of test results (the maximum stress and the fracture number of cycles);
- g) $S-N$ plot;
- h) if appropriate, manufacturer's name of the material and its date of manufacture;
- i) if appropriate, name of the material, kinds of additive, and sintering method;
- j) if appropriate, porosity and mean pore size of the material;
- k) if appropriate, chemical composition of material;
- l) if appropriate, sampling conditions of test piece made from the material and its machining conditions (when a test piece is heat treated, its conditions are included);

- m) if appropriate, mechanical properties of the material, such as flexural strength, elastic modulus, fracture toughness value, etc.;
- n) if appropriate, date of test place, and name of the person conducting the test.

British Standards Institution (BSI)

BSI is the national body responsible for preparing British Standards and other standards-related publications, information and services.

BSI is incorporated by Royal Charter. British Standards and other standardization products are published by BSI Standards Limited.

About us

We bring together business, industry, government, consumers, innovators and others to shape their combined experience and expertise into standards-based solutions.

The knowledge embodied in our standards has been carefully assembled in a dependable format and refined through our open consultation process. Organizations of all sizes and across all sectors choose standards to help them achieve their goals.

Information on standards

We can provide you with the knowledge that your organization needs to succeed. Find out more about British Standards by visiting our website at bsigroup.com/standards or contacting our Customer Services team or Knowledge Centre.

Buying standards

You can buy and download PDF versions of BSI publications, including British and adopted European and international standards, through our website at bsigroup.com/shop, where hard copies can also be purchased.

If you need international and foreign standards from other Standards Development Organizations, hard copies can be ordered from our Customer Services team.

Subscriptions

Our range of subscription services are designed to make using standards easier for you. For further information on our subscription products go to bsigroup.com/subscriptions.

With **British Standards Online (BSOL)** you'll have instant access to over 55,000 British and adopted European and international standards from your desktop. It's available 24/7 and is refreshed daily so you'll always be up to date.

You can keep in touch with standards developments and receive substantial discounts on the purchase price of standards, both in single copy and subscription format, by becoming a **BSI Subscribing Member**.

PLUS is an updating service exclusive to BSI Subscribing Members. You will automatically receive the latest hard copy of your standards when they're revised or replaced.

To find out more about becoming a BSI Subscribing Member and the benefits of membership, please visit bsigroup.com/shop.

With a **Multi-User Network Licence (MUNL)** you are able to host standards publications on your intranet. Licences can cover as few or as many users as you wish. With updates supplied as soon as they're available, you can be sure your documentation is current. For further information, email bsmusales@bsigroup.com.

BSI Group Headquarters

389 Chiswick High Road London W4 4AL UK

Revisions

Our British Standards and other publications are updated by amendment or revision.

We continually improve the quality of our products and services to benefit your business. If you find an inaccuracy or ambiguity within a British Standard or other BSI publication please inform the Knowledge Centre.

Copyright

All the data, software and documentation set out in all British Standards and other BSI publications are the property of and copyrighted by BSI, or some person or entity that owns copyright in the information used (such as the international standardization bodies) and has formally licensed such information to BSI for commercial publication and use. Except as permitted under the Copyright, Designs and Patents Act 1988 no extract may be reproduced, stored in a retrieval system or transmitted in any form or by any means – electronic, photocopying, recording or otherwise – without prior written permission from BSI. Details and advice can be obtained from the Copyright & Licensing Department.

Useful Contacts:

Customer Services

Tel: +44 845 086 9001

Email (orders): orders@bsigroup.com

Email (enquiries): cservices@bsigroup.com

Subscriptions

Tel: +44 845 086 9001

Email: subscriptions@bsigroup.com

Knowledge Centre

Tel: +44 20 8996 7004

Email: knowledgecentre@bsigroup.com

Copyright & Licensing

Tel: +44 20 8996 7070

Email: copyright@bsigroup.com



...making excellence a habit.™