



BSI Standards Publication

Tips for assistive products for walking — Requirements and test methods

Part 2: Durability of tips for crutches

National foreword

This British Standard is the UK implementation of ISO 24415-2:2011.

The UK participation in its preparation was entrusted to Technical Committee CH/173, Assistive products for persons with disability.

A list of organizations represented on this committee can be obtained on request to its secretary.

This publication does not purport to include all the necessary provisions of a contract. Users are responsible for its correct application.

© BSI 2011

ISBN 978 0 580 63300 3

ICS 11.180.10

Compliance with a British Standard cannot confer immunity from legal obligations.

This British Standard was published under the authority of the Standards Policy and Strategy Committee on 31 August 2011.

Amendments issued since publication

Date	Text affected
------	---------------

**Tips for assistive products for walking —
Requirements and test methods —**

**Part 2:
Durability of tips for crutches**

*Embouts pour produits d'assistance à la marche — Exigences et
méthodes d'essai —*

Partie 2: Durabilité des embouts de béquilles





COPYRIGHT PROTECTED DOCUMENT

© ISO 2011

All rights reserved. Unless otherwise specified, no part of this publication may be reproduced or utilized in any form or by any means, electronic or mechanical, including photocopying and microfilm, without permission in writing from either ISO at the address below or ISO's member body in the country of the requester.

ISO copyright office
Case postale 56 • CH-1211 Geneva 20
Tel. + 41 22 749 01 11
Fax + 41 22 749 09 47
E-mail copyright@iso.org
Web www.iso.org

Published in Switzerland

Foreword

ISO (the International Organization for Standardization) is a worldwide federation of national standards bodies (ISO member bodies). The work of preparing International Standards is normally carried out through ISO technical committees. Each member body interested in a subject for which a technical committee has been established has the right to be represented on that committee. International organizations, governmental and non-governmental, in liaison with ISO, also take part in the work. ISO collaborates closely with the International Electrotechnical Commission (IEC) on all matters of electrotechnical standardization.

International Standards are drafted in accordance with the rules given in the ISO/IEC Directives, Part 2.

The main task of technical committees is to prepare International Standards. Draft International Standards adopted by the technical committees are circulated to the member bodies for voting. Publication as an International Standard requires approval by at least 75 % of the member bodies casting a vote.

Attention is drawn to the possibility that some of the elements of this document may be the subject of patent rights. ISO shall not be held responsible for identifying any or all such patent rights.

ISO 24415-2 was prepared by Technical Committee ISO/TC 173, *Assistive products for persons with disability*.

ISO 24415 consists of the following parts, under the general title *Tips for assistive products for walking — Requirements and test methods*:

- *Part 1: Friction of tips*
- *Part 2: Durability of tips for crutches*

Introduction

The characteristics of tips attached to the bottom of assistive products for walking are essential to ensuring user safety. The tips are continuously and repeatedly subjected to load and friction while walking; durability against this repeated load is important both for safety and for cost effectiveness.

Tips are used on many different assistive products for walking, including canes, walking sticks, crutches, walking frames, rollators, and walking tables. They are produced in many different sizes and are made of many different materials, depending on the sort of assistive products for walking to which they are applied. A variety of bottom shapes are available on the market for the many kinds of assistive products for walking.

Generally, durability of rubber is estimated based on a wearing resistance test using test pieces rather than finished goods. However, tips for assistive products for walking are used in several different ways, therefore it is favourable to perform the test on manufactured tips (not manufactured test pieces) to obtain realistic data. For example, tips for crutches can endure less abrasion, because the load on tips for crutches is higher than that on tips for other assistive products for walking.

This part of ISO 24415 specifies requirements and test methods for durability of tips for crutches to enable developers, manufacturers, distributors, and health care providers to determine whether tips have the necessary durability.

Tips for assistive products for walking — Requirements and test methods —

Part 2: Durability of tips for crutches

1 Scope

This part of ISO 24415 specifies requirements and test methods for the durability of tips for crutches, and is not applicable to tips manufactured for special purposes. The requirements and test method are based on tips being used with an ordinary gait on dry and flat walking surfaces.

Crutches include elbow crutches, forearm support crutches, and axillary crutches, as described in ISO 9999.

NOTE Special purposes might include walking on ice and/or snow.

2 Normative references

The following referenced documents are indispensable for the application of this document. For dated references, only the edition cited applies. For undated references, the latest edition of the referenced document (including any amendments) applies.

ISO 9999, *Assistive products for persons with disability — Classification and terminology*

EN 13036-4, *Road and airfield surface characteristics — Test methods — Part 4: Method for measurement of slip/skid resistance of a surface — The pendulum test*

3 Terms and definitions

For the purposes of this document, the following terms and definitions apply.

3.1

tip

that part of the crutch which is in contact with ground

NOTE See Figure 1.

3.2

test track

surface against which the tip is to be tested

3.3

actuator

mechanism to produce the dynamic loading force

3.4

loading rod

part onto which the tip is fixed and which transfers the loading force from the actuator to the tip

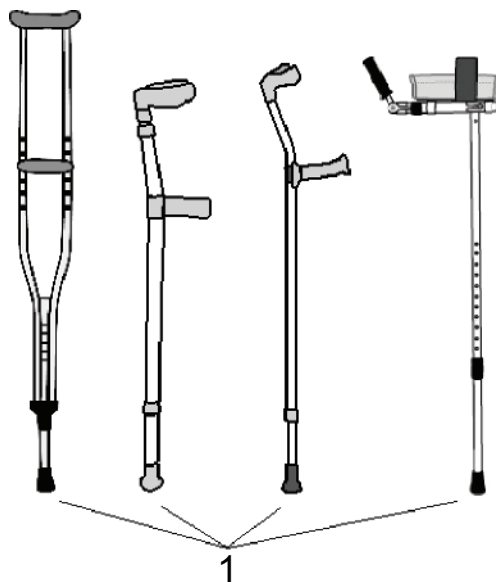
3.5

loading force

force exerted on the tip along the longitudinal axis of the loading rod

3.6 tilt angle
plane angle between the rod axis when tilted and the rod axis when perpendicular to the test track surface

3.7 axis of relative rotation
axis about which the relative rotation between the tip and the test track takes place



Key
1 tip

Figure 1 — Tips

4 Requirements

After having been tested, the condition of the tip shall be verified by inspection. No inner part shall be visible, no tear shall appear, and the tip shall be correctly fixed on the loading rod. All three tested samples shall fulfil the conditions mentioned above.

5 Apparatus

5.1 Test device

The test device consists of a test track, a motion control mechanism, a loading force mechanism and a load cell. Figure 2 shows a test track and a rod. A motion control mechanism and a loading force mechanism cooperate during the test. When the loading rod with the tip is in the upright position, perpendicular to the test track, the loading force is at its maximum. The whole test apparatus (including the load cell) shall be rigid.

5.2 Test track

The test track shall be a flat board, made of concrete. The test track shall be placed on a flat base during the test. Frictional characteristic of the surface on the test track is defined as “walkway surface traction” which shall be greater than 80 BPN when tested in accordance with EN 13036-4.

5.3 Motion control mechanism

The motion control mechanism shall apply the tilt angle.

5.4 Loading force mechanism

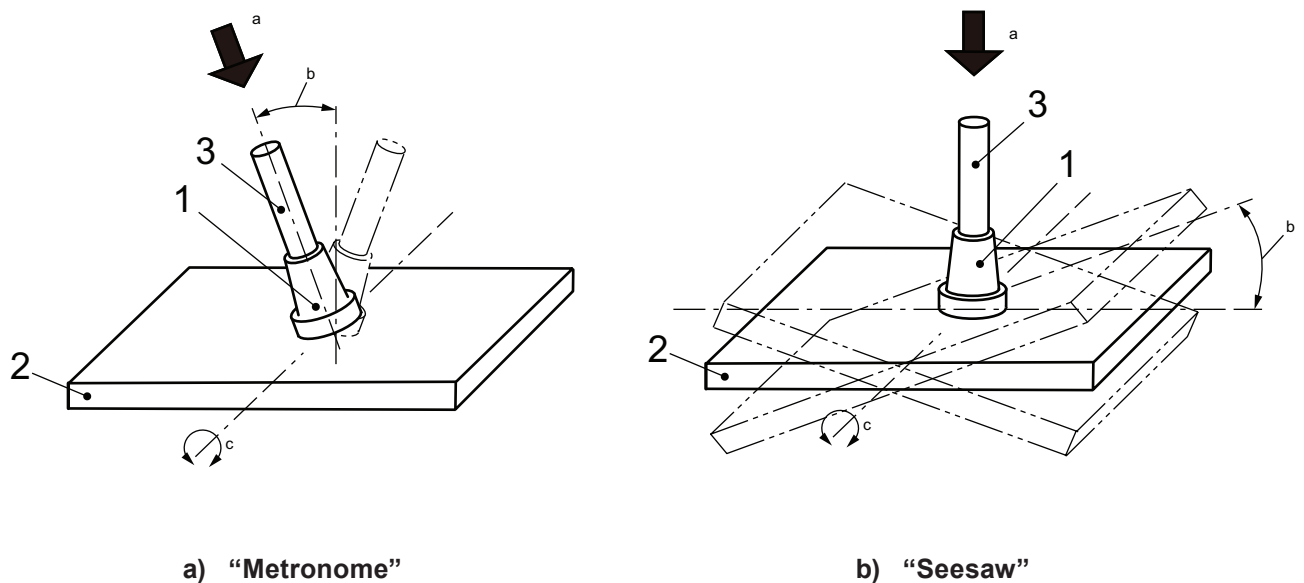
The loading force mechanism shall exert a loading force on the tip as observed in actual gait. The load shall alternate from 0 N at the beginning and end of the test cycle, to $\left(500^{+20}_{-0}\right)$ N when the loading rod is perpendicular to the test track.

A loading force mechanism may consist of a pneumatic actuator and a loading rod. The actuator generates pushing and pulling motions that allow an axial loading force via the loading rod onto the tip to be tested (two possible conceptual schemes are shown in Figure 2).

The longitudinal axis of the loading rod shall intersect with the axis of relative rotation between the tip and the test track. The axis of relative rotation shall be on the top surface of the test track.

5.5 Load cell

A load cell that has been calibrated to an accuracy of $\pm 2\%$ shall measure the axial load. It is recommended that the capacity of the load cell be up to 1 000 N and that the load cell be connected with a waveform-viewing device (oscilloscope, etc.) or a data-recording system.



Key

- 1 tip
- 2 test track
- 3 loading rod
- a Loading force.
- b Tilt angle.
- c Axis of relative rotation.

Figure 2 — Two examples of test apparatus

6 Test method

6.1 Preparation

If not otherwise specified, wash the tip with neutral detergent, rinse with water and store the tip for at least 3 h in the test environment, in accordance with 6.2.

Three test samples shall be prepared and tested.

6.2 Testing environment

The test shall be carried out at a temperature of (23 ± 2) °C.

6.3 Test procedure

The test procedure shall be conducted as follows.

- a) Fix the tip sample to the loading rod. During the test the tip sample shall not be turned.
- b) Position the loading rod so that the tip just touches the test track at a tilt angle of -20 °C.
- c) Load the tip to (100 ± 20) N.
- d) Start to activate smoothly both the loading force mechanism and the motion control mechanism.
- e) Exert the loading force smoothly to the maximum axial load of (500^{+20}_{-0}) N when the loading rod is perpendicular to the test surface.
- f) Release the loading force smoothly to 0 N as the rod is tilted to a tilt angle of $+20$ °C.
- g) Lift the tip up from the test track and return the loading rod to the start position, as described in b).
- h) Repeat the procedure from b) to g) 500 000 times with a frequency less than 0,8 Hz.
- i) After 500 000 cycles, check the tip as described in Clause 4.
- j) Three samples shall be tested and the results recorded.

7 Test report

The test report shall contain but not be limited to the following information:

- a) name and address of the manufacturer;
- b) name and address of the supplier of the product for testing;
- c) name and address of the testing institution;
- d) classification code and name in accordance with ISO 9999;
- e) manufacturer's product type and model identification name and/or number;
- f) supplier's product type and model identification name and/or number;
- g) tip photographs (side shape, bottom shape) before and after the test;
- h) inner diameter, bottom diameter, height, bottom thickness and weight of the tip before the test;
- i) test temperature, type and model identification name and/or number or specification of the test device;

- j) confirmation that the requirements in Clause 4 have been met after testing in accordance with 6.3;
- k) the start and end dates of the test.

ICS 11.180.10

Price based on 5 pages

British Standards Institution (BSI)

BSI is the national body responsible for preparing British Standards and other standards-related publications, information and services.

BSI is incorporated by Royal Charter. British Standards and other standardization products are published by BSI Standards Limited.

About us

We bring together business, industry, government, consumers, innovators and others to shape their combined experience and expertise into standards-based solutions.

The knowledge embodied in our standards has been carefully assembled in a dependable format and refined through our open consultation process. Organizations of all sizes and across all sectors choose standards to help them achieve their goals.

Information on standards

We can provide you with the knowledge that your organization needs to succeed. Find out more about British Standards by visiting our website at bsigroup.com/standards or contacting our Customer Services team or Knowledge Centre.

Buying standards

You can buy and download PDF versions of BSI publications, including British and adopted European and international standards, through our website at bsigroup.com/shop, where hard copies can also be purchased.

If you need international and foreign standards from other Standards Development Organizations, hard copies can be ordered from our Customer Services team.

Subscriptions

Our range of subscription services are designed to make using standards easier for you. For further information on our subscription products go to bsigroup.com/subscriptions.

With **British Standards Online (BSOL)** you'll have instant access to over 55,000 British and adopted European and international standards from your desktop. It's available 24/7 and is refreshed daily so you'll always be up to date.

You can keep in touch with standards developments and receive substantial discounts on the purchase price of standards, both in single copy and subscription format, by becoming a **BSI Subscribing Member**.

PLUS is an updating service exclusive to BSI Subscribing Members. You will automatically receive the latest hard copy of your standards when they're revised or replaced.

To find out more about becoming a BSI Subscribing Member and the benefits of membership, please visit bsigroup.com/shop.

With a **Multi-User Network Licence (MUNL)** you are able to host standards publications on your intranet. Licences can cover as few or as many users as you wish. With updates supplied as soon as they're available, you can be sure your documentation is current. For further information, email bsmusales@bsigroup.com.

BSI Group Headquarters

389 Chiswick High Road London W4 4AL UK

Revisions

Our British Standards and other publications are updated by amendment or revision.

We continually improve the quality of our products and services to benefit your business. If you find an inaccuracy or ambiguity within a British Standard or other BSI publication please inform the Knowledge Centre.

Copyright

All the data, software and documentation set out in all British Standards and other BSI publications are the property of and copyrighted by BSI, or some person or entity that owns copyright in the information used (such as the international standardization bodies) and has formally licensed such information to BSI for commercial publication and use. Except as permitted under the Copyright, Designs and Patents Act 1988 no extract may be reproduced, stored in a retrieval system or transmitted in any form or by any means – electronic, photocopying, recording or otherwise – without prior written permission from BSI. Details and advice can be obtained from the Copyright & Licensing Department.

Useful Contacts:

Customer Services

Tel: +44 845 086 9001

Email (orders): orders@bsigroup.com

Email (enquiries): cservices@bsigroup.com

Subscriptions

Tel: +44 845 086 9001

Email: subscriptions@bsigroup.com

Knowledge Centre

Tel: +44 20 8996 7004

Email: knowledgecentre@bsigroup.com

Copyright & Licensing

Tel: +44 20 8996 7070

Email: copyright@bsigroup.com



...making excellence a habit.™