



BSI Standards Publication

**Rubber, vulcanized or
thermoplastic — Determination
of abrasion resistance using
the Improved Lambourn test
machine**

National foreword

This British Standard is the UK implementation of ISO 23337:2016.

The UK participation in its preparation was entrusted to Technical Committee PRI/22, Testing and analysis of rubber.

A list of organizations represented on this committee can be obtained on request to its secretary.

This publication does not purport to include all the necessary provisions of a contract. Users are responsible for its correct application.

© The British Standards Institution 2016.
Published by BSI Standards Limited 2016

ISBN 978 0 580 92768 3

ICS 83.060

Compliance with a British Standard cannot confer immunity from legal obligations.

This British Standard was published under the authority of the Standards Policy and Strategy Committee on 30 November 2016.

Amendments/Corrigenda issued since publication

Date	Text affected
------	---------------

**Rubber, vulcanized or
thermoplastic — Determination
of abrasion resistance using the
Improved Lambourn test machine**

*Caoutchouc vulcanisé ou thermoplastique — Détermination de
la résistance à l'abrasion à l'aide d'une machine de Lambourn
perfectionnée*





COPYRIGHT PROTECTED DOCUMENT

© ISO 2016, Published in Switzerland

All rights reserved. Unless otherwise specified, no part of this publication may be reproduced or utilized otherwise in any form or by any means, electronic or mechanical, including photocopying, or posting on the internet or an intranet, without prior written permission. Permission can be requested from either ISO at the address below or ISO's member body in the country of the requester.

ISO copyright office
Ch. de Blandonnet 8 • CP 401
CH-1214 Vernier, Geneva, Switzerland
Tel. +41 22 749 01 11
Fax +41 22 749 09 47
copyright@iso.org
www.iso.org

Contents

Page

Foreword	iv
Introduction	v
1 Scope	1
2 Normative references	1
3 Terms and definitions	1
4 Principle	2
5 Apparatus	3
5.1 Abrasion test machine.....	3
5.2 Balance.....	4
6 Calibration	4
7 Test pieces	4
7.1 Type and preparation.....	4
7.2 Number.....	5
7.3 Time interval between vulcanization and testing.....	5
8 Test conditions	5
9 Procedure	6
9.1 Preliminary wear.....	6
9.2 Abrasion test.....	6
9.3 Density.....	6
10 Expression of results	6
11 Precision	7
12 Test report	7
Annex A (informative) Precision	8
Annex B (normative) Calibration schedule	10
Bibliography	12

Foreword

ISO (the International Organization for Standardization) is a worldwide federation of national standards bodies (ISO member bodies). The work of preparing International Standards is normally carried out through ISO technical committees. Each member body interested in a subject for which a technical committee has been established has the right to be represented on that committee. International organizations, governmental and non-governmental, in liaison with ISO, also take part in the work. ISO collaborates closely with the International Electrotechnical Commission (IEC) on all matters of electrotechnical standardization.

The procedures used to develop this document and those intended for its further maintenance are described in the ISO/IEC Directives, Part 1. In particular the different approval criteria needed for the different types of ISO documents should be noted. This document was drafted in accordance with the editorial rules of the ISO/IEC Directives, Part 2 (see www.iso.org/directives).

Attention is drawn to the possibility that some of the elements of this document may be the subject of patent rights. ISO shall not be held responsible for identifying any or all such patent rights. Details of any patent rights identified during the development of the document will be in the Introduction and/or on the ISO list of patent declarations received (see www.iso.org/patents).

Any trade name used in this document is information given for the convenience of users and does not constitute an endorsement.

For an explanation on the meaning of ISO specific terms and expressions related to conformity assessment, as well as information about ISO's adherence to the World Trade Organization (WTO) principles in the Technical Barriers to Trade (TBT) see the following URL: www.iso.org/iso/foreword.html.

The committee responsible for this document is ISO/TC 45, *Rubber and rubber products*, Subcommittee SC 2, *Testing and analysis*.

This second edition cancels and replaces the first edition (ISO 23337:2007), which has been technically revised to include a calibration schedule as [Annex B](#).

Introduction

Various types of laboratory test equipment for determining the wear resistance of rubber compounds have been developed, depending on the products to which rubber compounds have been applied in the past. One such piece of equipment, called the “Improved Lambourn” abrasion test machine, is briefly introduced with other types in ISO 23794[2] and the test method for using it is described in detail in this document.

The main features of the Improved Lambourn machine are as follows:

- a) The slip rate is adjustable by virtue of the fact that the abrasive wheel and test piece are driven separately. A servo-mechanism is used for driving both the abrasive wheel and the test piece to ensure accurate speed control. In older types of equipment, both the abrasive wheel and the test piece were driven by the same drive system, with the speeds of rotation controlled by braking systems, which could result in an inaccurately controlled slip rate.
- b) A controlled feed of carborundum grit to the nip between the rubber test piece and the abrasive wheel ensures that abraded particles are prevented from adhering to the surface of the test piece or abrasive wheel, which is important in obtaining reproducible test results.

A previous wear study for rubber compounds using the Improved Lambourn machine showed that, at higher slip rates, wear resistance decreased in the order: butadiene rubber (BR) base compound, natural rubber (NR) base, styrene-butadiene rubber (SBR) base. However, at low slip rates, the order was reversed. This is interesting since the tread compound in truck and bus tyres generally uses NR or a blend of NR and BR base compound, while SBR base compound is used in car tyres. More details can be found in Reference [3].

Rubber, vulcanized or thermoplastic — Determination of abrasion resistance using the Improved Lambourn test machine

WARNING 1 — Persons using this document should be familiar with normal laboratory practice. This document does not purport to address all of the safety problems, if any, associated with its use. It is the responsibility of the user to establish appropriate safety and health practices and to ensure compliance with any national regulatory conditions.

WARNING 2 — Certain procedures specified in this document might involve the use or generation of substances, or the generation of waste, that could constitute a local environmental hazard. Reference should be made to appropriate documentation on safe handling and disposal after use.

1 Scope

This document specifies a method for the determination of the resistance of rubber to abrasion using the Improved Lambourn test machine.

The abrasion loss resulting from the slip caused by the difference in circumferential speed between a disc-shaped rubber test piece and an abrasive wheel, which are driven to rotate independently with their circumferences pressed against each other by a specified load, is determined. The test result can be reported as a volume loss per abrasion test time or running distance, and/or as an abrasion resistance index compared to a reference compound.

As the Improved Lambourn test machine is capable of setting various abrasive conditions, such as slip rate, sliding speed and load, independently, this method is suitable for the evaluation of compounds for a range of rubber products, especially tyres, under a wide range of severity conditions. An example of the testing of tyre tread rubber is given in [Annex A](#).

2 Normative references

The following documents are referred to in the text in such a way that some or all of their content constitutes requirements of this document. For dated references, only the edition cited applies. For undated references, the latest edition of the referenced document (including any amendments) applies.

ISO 525, *Bonded abrasive products — General requirements*

ISO 2781, *Rubber, vulcanized or thermoplastic — Determination of density*

ISO 8486-1, *Bonded abrasives — Determination and designation of grain size distribution — Part 1: Macrogrits F4 to F220*

ISO 18899:2013, *Rubber — Guide to the calibration of test equipment*

ISO 23529, *Rubber — General procedures for preparing and conditioning test pieces for physical test methods*

3 Terms and definitions

For the purposes of this document, the following terms and definitions apply.

ISO and IEC maintain terminological databases for use in standardization at the following addresses:

— IEC Electropedia: available at <http://www.electropedia.org/>

— ISO Online browsing platform: available at <http://www.iso.org/obp>

**3.1
abrasion**

loss of material from a surface due to frictional forces

[SOURCE: ISO 23794:2015, 3.1]

**3.2
abrasion resistance**

resistance to wear resulting from mechanical action upon a surface

Note 1 to entry: Abrasion resistance is expressed by the abrasion resistance index.

[SOURCE: ISO 23794:2015, 3.2]

**3.3
abrasion resistance index**

ratio of the loss in volume of a standard rubber to the loss in volume of a test rubber measured under the same specified conditions and expressed as a percentage

[SOURCE: ISO 23794:2015, 3.3]

**3.4
slip rate**

ratio of the difference between the circumferential speed of the test piece and that of the abrasion wheel to the circumferential speed of the test piece, expressed as a percentage

**3.5
running distance**

total distance travelled by a point on the circumference of the test piece, determined from the initial outer diameter of the test piece, its speed of rotation and the abrasion time

**3.6
reference compound**

compound whose abrasion resistance is to be compared with that of the test rubber

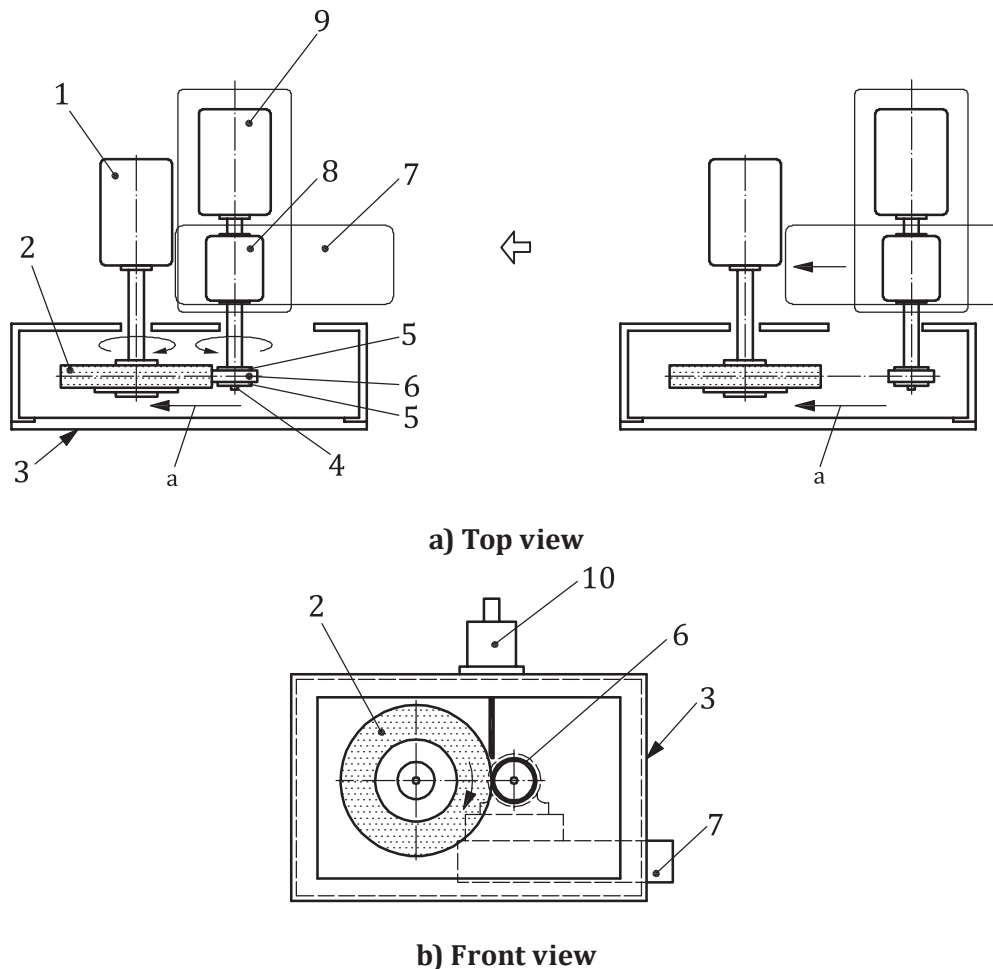
4 Principle

Wear occurs due to the slip caused by the difference in circumferential speed between a disc-shaped rubber test piece and an abrasive wheel rotating against each other for a specified length of time.

The test piece and the abrasive wheel, aligned with their circumferences pressed against each other by a specified load and with their axes of rotation parallel, are driven independently (see [Figure 1](#)).

Grit is fed into the nip between the test piece and the abrasive wheel to prevent smearing of the test piece and the abrasive wheel surface.

The loss in mass of the test piece is determined and the loss in volume per unit abrasion time or running distance is calculated from the density of the test material. The abrasion resistance index, if required, is determined by comparing this loss in volume with the loss in volume of a reference compound tested under the same conditions.



Key

- | | | | |
|---|--------------------------------|----|---|
| 1 | drive motor for abrasive wheel | 6 | test piece |
| 2 | abrasive wheel | 7 | mechanism for exerting load on test piece |
| 3 | test chamber | 8 | torque meter |
| 4 | test piece mounting | 9 | drive motor for test piece |
| 5 | test piece guide | 10 | grit-dropping mechanism |

a Test piece pressed against abrasive wheel.

The torque meter fitted to the test piece drive shaft detects any abnormal conditions from torque changes during the test. It shall be capable of measuring torques ranging from 0 N·m to 49 N·m to the nearest 0,01 N·m.

Figure 1 — Schematic illustration of apparatus

5 Apparatus

5.1 Abrasion test machine

The test machine (see [Figure 1](#)) shall consist of a test piece mounting, an abrasive wheel, a drive mechanism to rotate the test piece and the abrasive wheel at different speeds, a loading mechanism to press the test piece against the abrasive wheel at the specified load, a grit-dropping mechanism to prevent smearing of the test piece and the abrasive wheel surface, and a test chamber to prevent grit from spreading and to ensure safety during the test.

The mounting of the test piece shall be designed so that the test piece does not slip on the rotating shaft when torque is applied, in order that the rotational speed of the shaft is accurately transmitted to the test piece. A pair of disc-shaped test piece guides 4 mm thick and 43 mm or 58,5 mm in diameter shall be fitted each side of the test piece to hold it in place.

The mounting of the abrasive wheel shall be designed so that the abrasive wheel does not slip on the rotating shaft when torque is applied, in order that the rotational speed of the shaft is accurately transmitted to the abrasive wheel. The specifications of the abrasive wheel shall be in accordance with ISO 525: abrasive C (silicon carbide), grit size 80 (equivalent to the designation F80 specified in ISO 8486-1), hardness grade K, nature of bond V (vitrified bond) and maximum operating speed <16 m/s (less than 16 m/s). The diameter of the abrasive wheel shall be 175 mm, 205 mm or 305 mm, with a thickness of 20 mm to 50 mm.

Permissible combinations of the dimensions of the test piece, the test piece guide and the abrasive wheel are given in [Table 1](#).

Table 1 — Permissible combinations of dimensions of the test piece, the test piece guide and the abrasive wheel

Dimensions in millimetres

Combination	Test piece		Test piece guide		Abrasive wheel	
	Diameter	Thickness	Diameter	Thickness	Diameter	Thickness
A	49,0	5,0	43,0	4,0	175,0	20 to 50
B	63,5	5,0	58,5	4,0	205,0	20 to 50
C	49,0	5,0	43,0	4,0	305,0	20 to 50

The drive mechanism shall have two motors, one for the test piece and one for the abrasive wheel, so as to control their circumferential speeds, which shall be between 10 m/min and 200 m/min, independently.

A loading mechanism shall be fitted to press the test piece against the abrasive wheel at the specified load in the range 5 N to 80 N during the test, regardless of the combination of dimensions used.

A mechanism shall be fitted to drop grit at the specified rate into the gap between the test piece and the abrasive wheel. The drop rate shall be adjusted to be in the range 10 g/min to 30 g/min. The type of grit used shall be silicon carbide corresponding to a designation between F80 and F100 as specified in ISO 8486-1.

5.2 Balance

The balance shall be of sufficient accuracy to enable the loss in mass of the test piece to be determined to ± 1 mg.

6 Calibration

The test apparatus shall be calibrated in accordance with the schedule given in [Annex B](#).

7 Test pieces

7.1 Type and preparation

The test pieces shall be disc-shaped, of diameter 49 mm or 63,5 mm and of thickness 5 mm. The test pieces shall be prepared by moulding or by cutting from test sheets or products using a rotary cutter. The surface of the test pieces which is to be abraded shall be smooth.

7.2 Number

A minimum of two test pieces shall be tested.

7.3 Time interval between vulcanization and testing

Unless otherwise specified for technical reasons, the following requirements shall be observed in accordance with ISO 23529.

- For all normal test purposes, the minimum time between vulcanization and testing shall be 16 h. In cases of arbitration, the minimum time shall be 72 h.
- For non-product tests, the maximum time between vulcanization and testing shall be four weeks and, for evaluations intended to be comparable, the tests, as far as possible, shall be carried out after the same time interval.
- For product tests, whenever possible, the time between vulcanization and testing shall not exceed three months. In other cases, tests shall be made within two months from the date of receipt by the purchaser of the product.

8 Test conditions

The test conditions specified in [Table 2](#) shall be employed.

Table 2 — Standard test conditions

Parameter	Standard value	Range
Temperature	Standard laboratory temperature (refer to ISO 23529)	—
Circumferential speed of test piece	50 m/min	10 m/min to 200 m/min
Slip rate	30 %	5 % to 80 %
Load	40 N	5 N to 80 N
Grit-dropping rate	20 g/min	10 g/min to 30 g/min
<p>NOTE 1 During a test run, there may be a considerable increase in temperature at the abrading interface, which may lead to a temperature rise within the test piece. For the purposes of this document, such a temperature rise can be disregarded.</p> <p>NOTE 2 The slip rate S, in percent, is defined as follows:</p> $S = \frac{d - D}{d} \times 100$ <p>where</p> <p>D is the circumferential speed of the abrasion wheel, in m/min;</p> <p>d is the circumferential speed of the test piece, in m/min.</p>		

To determine the abrasion resistance index, the same conditions shall be used with the test pieces of the reference compound.

The abrasion test time shall be such that the abraded volume is 0,1 cm³ to 0,2 cm³, this time being determined as follows.

- a) Using one of the test pieces, conduct an abrasion test (see [9.2](#)) beforehand for several ten-second intervals under the standard test conditions (see [Table 2](#)).
- b) From the time and the loss in volume of the test piece, calculate the abrasion test time which will give an abrasion volume of 0,1 cm³ to 0,2 cm³.

9 Procedure

9.1 Preliminary wear

Carry out preliminary abrasion of the test piece for 10 s to 20 s under the standard test conditions (see [Table 2](#)).

9.2 Abrasion test

Carry out the abrasion test as follows.

- a) Weigh the test piece to the nearest 1 mg after the preliminary-wear run.
- b) After weighing, mount the test piece on its rotating shaft in the abrasion test machine.
- c) Conduct the abrasion test under the specified test conditions (see [Clause 8](#)) for the abrasion test time calculated at the end of [Clause 8](#).
- d) On completion of the test, weigh the test piece again to the nearest 1 mg.

Before reweighing the test piece, remove any abrasion dust and grit smeared over the surface of the test piece. Sometimes, it may also be necessary to pull off a small edge hanging from the test piece before weighing.

9.3 Density

Determine the density of the test material in accordance with ISO 2781.

10 Expression of results

The results may be expressed either as a loss in volume or as the abrasion resistance index.

From the loss in mass and the density of the test material, calculate the loss in volume per unit abrasion time V (expressed in mm³/min) and the loss in volume per unit running distance V' (expressed in mm³/km) from the average of the results obtained from the individual test pieces, using [Formulae \(1\)](#) and [\(2\)](#):

$$V = \frac{m}{\rho \times t} \quad (1)$$

$$V' = \frac{m}{\rho \times l} \quad (2)$$

where

V is the loss in volume per unit abrasion time, in mm³/min;

V' is the loss in volume per unit running distance, in mm³/km;

m is the average loss in mass of the two test pieces, in mg;

ρ is the density of the test material, in g/cm³;

t is the abrasion test time, in min;

l is the running distance, in km.

Calculate the abrasion resistance index using [Formula \(3\)](#):

$$I = \frac{V}{T} \times 100 = \frac{V'}{T'} \times 100 \quad (3)$$

where

- I is the abrasion resistance index, in percent;
- V is the loss in volume per unit abrasion time for the reference compound, in mm³/min;
- T is the loss in volume per unit abrasion time for the test piece, in mm³/min;
- V' is the loss in volume per unit running distance for the reference compound, in mm³/km;
- T' is the loss in volume per unit running distance for the test piece, in mm³/km.

11 Precision

See [Annex A](#).

12 Test report

The test report shall include the following information:

- a) sample details:
 - 1) a full description of the sample and its origin,
 - 2) details of the compound and its condition of cure, if known,
 - 3) the time interval between vulcanization and testing,
 - 4) the method used to prepare the test pieces (e.g. whether cut or moulded);
- b) test method used, with a reference to this document, i.e. ISO 23337;
- c) test details:
 - 1) the test temperature used,
 - 2) the circumferential speed of the test piece, the slip rate, the load applied, the grit-dropping rate used and the abrasion time,
 - 3) details of any procedures not specified in this document;
- d) test results:
 - 1) the number of test pieces tested,
 - 2) the abrasion rate per unit time, the abrasion rate per unit running distance and the average abrasion resistance index,
 - 3) the density of the test compound and that of the reference compound (if used);
- e) date of test.

Annex A (informative)

Precision

A.1 General

Precision calculations to express the repeatability and reproducibility were performed in accordance with ISO/TR 9272 [1]. Outliers in the original data were dealt with at the 5 % and 2 % significance levels in accordance with the procedures described in ISO/TR 9272.

A.2 Precision details

A.2.1 An interlaboratory test programme (ITP) was organized by Japan in 2004. Two compounds, designated E1 (SBR) and A (NR), were used for the abrasion tests.

A total of six laboratories participated in the ITP. Fully prepared rubber test pieces were sent to each laboratory for the testing in the ITP, thus giving a type 1 precision.

A.2.2 The two sets of test conditions given in [Table A.1](#) were used. Set of conditions 1 corresponds to high severity and set 2 to low severity.

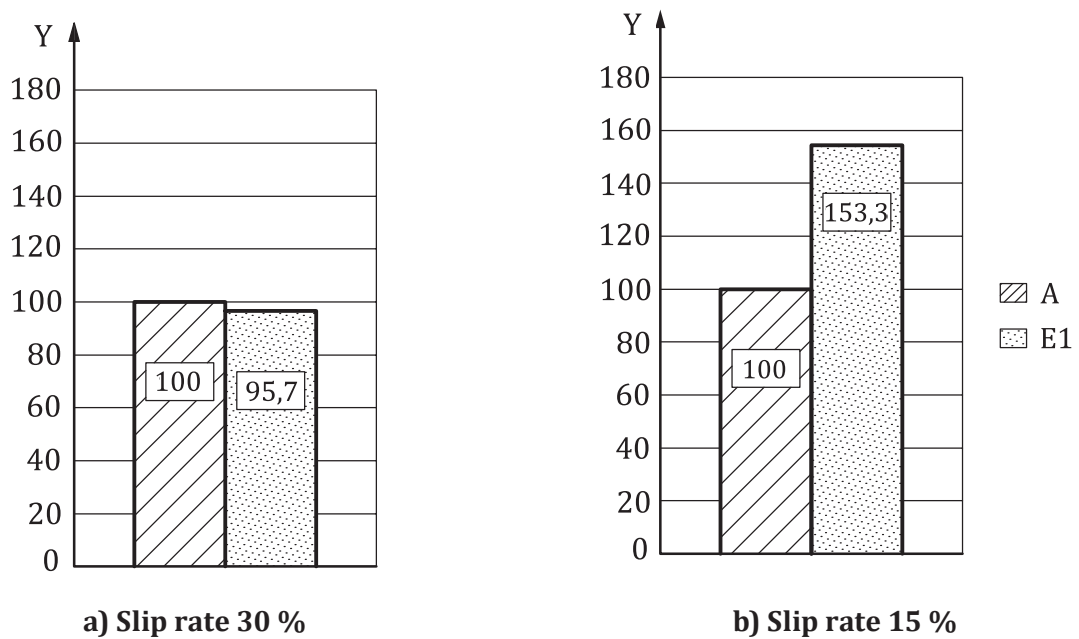
Table A.1 — Test conditions

	Set of conditions 1	Set of conditions 2
Circumferential speed of test piece	50 m/min	50 m/min
Slip rate	30 %	15 %
Load	40 N	40 N
Grit-dropping rate	20 g/min	20 g/min
Abrasion test time	3 min	13 min

A.3 Test results

The test results, calculated as the abrasion resistance index with compound A as the reference compound, are shown in [Figure A.1](#). Under high-severity conditions (slip rate 30 %), these two compounds have equivalent abrasion resistance. Under low-severity conditions (slip rate 15 %), compound E1 (SBR) shows better abrasion resistance than compound A (NR).

The rankings are similar to those found in road trials.



Key

Y abrasion resistance index (%)

Figure A.1 — Test results

A.4 Precision results

The results calculated for the precision are given in [Table A.2](#).

The symbols used in the table are defined as follows:

- r = repeatability, in measurement units;
- (r) = repeatability, in percent (relative);
- R = reproducibility, in measurement units;
- (R) = reproducibility, in percent (relative).

Table A.2 — Precision data

Abrasion resistance index %	Mean value ($N = 6 \times 2 = 12$)	Within-laboratory repeatability		Interlaboratory reproducibility	
		r	(r)	R	(R)
Set of conditions 1	95,7	9,9	10,4	20,6	21,6
Set of conditions 2	153,3	17,1	11,2	40,8	26,6

NOTE The Improved Lambourn abrasion tester gives almost the same precision as the rotating cylindrical drum (DIN) tester.

Annex B (normative)

Calibration schedule

B.1 Inspection

Before any calibration is undertaken, the condition of the items to be calibrated shall be ascertained by inspection and recorded on any calibration report or certificate. It shall be reported whether calibration is made in the “as-received” condition or after rectification of any abnormality or fault.

It shall be ascertained that the apparatus is generally fit for the intended purpose, including any parameters specified as approximate and for which the apparatus does not therefore need to be formally calibrated. If such parameters are liable to change, then the need for periodic checks shall be written into the detailed calibration procedures.

B.2 Schedule

Verification/calibration of the test apparatus is a normative part of this document. The frequency of calibration and the procedures used are, unless otherwise stated, at the discretion of the individual laboratory using ISO 18899 for guidance.

The calibration schedule given in [Table B.1](#) has been compiled by listing all of the parameters specified in the test method for the apparatus, together with the specified requirement. A parameter and requirement can relate to the main test apparatus, part of that apparatus or to an ancillary apparatus necessary for the test.

For each parameter, a calibration procedure is indicated by reference to ISO 18899, to another publication or to a procedure particular to the test method which is detailed (whenever a more specific or detailed calibration procedure than in ISO 18899 is available, it shall be used in preference).

The verification frequency for each parameter is given by a code letter.

The code letters used in the calibration schedule are:

- C Requirement to be confirmed but no measurement;
- N Initial verification only;
- S Standard interval as advised in ISO 18899;
- U In use.

Table B.1 — Calibration frequency schedule

Parameter	Requirement	Subclause in ISO 18899:2013	Verification frequency guide	Notes
Torque meter	measuring ranging: 0 N·m to 49 N·m accuracy: 0,01 N·m.	21.4	N	
Disc-shaped test piece guides	4 mm thick and 43 mm or 58,5 mm in diameter	15.2	N	
Abrasive wheel	abrasive C (silicon carbide) grit size 80 hardness grade K nature of bond V (vitrified bond) maximum operating speed <16 m/s (less than 16 m/s)		C	See ISO 525. Grit size 80 is equivalent to the designation F80 specified in ISO 8486-1.
Dimensions of abrasive wheel	Diameter: 175 mm, 205 mm or 305 mm Thickness: 20 mm to 50 mm	15.2	C	
Circumferential speeds of test piece and abrasive wheel	between 10 m/min and 200 m/min	23.4	N	
Loading mechanism	5 N to 80 N	21.3	N	
Drop rate of grit	10 g/min to 30 g/min		U	
Type of grit	silicon carbide, F80 to F100		C	See ISO 8486-1.
Balance	±1 mg	22.1	S	

In addition to the items listed in [Table B.1](#), use of the following is implied, all of which need calibrating in accordance with ISO 18899:

- a thermometer for monitoring the conditioning and test temperatures;
- instruments for determining dimensions of the test pieces.

Bibliography

- [1] ISO/TR 9272, *Rubber and rubber products — Determination of precision for test method standards*
- [2] ISO 23794:2015, *Rubber, vulcanized or thermoplastic — Abrasion testing — Guidance*
- [3] YOSHII, H., and TAKESHITA, M.: A New Method For Evaluation of Tire Tread Wear, Paper No. 79 presented at the meeting of the Rubber Division, American Chemical Society, USA, May 1987

British Standards Institution (BSI)

BSI is the national body responsible for preparing British Standards and other standards-related publications, information and services.

BSI is incorporated by Royal Charter. British Standards and other standardization products are published by BSI Standards Limited.

About us

We bring together business, industry, government, consumers, innovators and others to shape their combined experience and expertise into standards-based solutions.

The knowledge embodied in our standards has been carefully assembled in a dependable format and refined through our open consultation process. Organizations of all sizes and across all sectors choose standards to help them achieve their goals.

Information on standards

We can provide you with the knowledge that your organization needs to succeed. Find out more about British Standards by visiting our website at bsigroup.com/standards or contacting our Customer Services team or Knowledge Centre.

Buying standards

You can buy and download PDF versions of BSI publications, including British and adopted European and international standards, through our website at bsigroup.com/shop, where hard copies can also be purchased.

If you need international and foreign standards from other Standards Development Organizations, hard copies can be ordered from our Customer Services team.

Copyright in BSI publications

All the content in BSI publications, including British Standards, is the property of and copyrighted by BSI or some person or entity that owns copyright in the information used (such as the international standardization bodies) and has formally licensed such information to BSI for commercial publication and use.

Save for the provisions below, you may not transfer, share or disseminate any portion of the standard to any other person. You may not adapt, distribute, commercially exploit, or publicly display the standard or any portion thereof in any manner whatsoever without BSI's prior written consent.

Storing and using standards

Standards purchased in soft copy format:

- A British Standard purchased in soft copy format is licensed to a sole named user for personal or internal company use only.
- The standard may be stored on more than 1 device provided that it is accessible by the sole named user only and that only 1 copy is accessed at any one time.
- A single paper copy may be printed for personal or internal company use only.

Standards purchased in hard copy format:

- A British Standard purchased in hard copy format is for personal or internal company use only.
- It may not be further reproduced – in any format – to create an additional copy. This includes scanning of the document.

If you need more than 1 copy of the document, or if you wish to share the document on an internal network, you can save money by choosing a subscription product (see 'Subscriptions').

Reproducing extracts

For permission to reproduce content from BSI publications contact the BSI Copyright & Licensing team.

Subscriptions

Our range of subscription services are designed to make using standards easier for you. For further information on our subscription products go to bsigroup.com/subscriptions.

With **British Standards Online (BSOL)** you'll have instant access to over 55,000 British and adopted European and international standards from your desktop. It's available 24/7 and is refreshed daily so you'll always be up to date.

You can keep in touch with standards developments and receive substantial discounts on the purchase price of standards, both in single copy and subscription format, by becoming a **BSI Subscribing Member**.

PLUS is an updating service exclusive to BSI Subscribing Members. You will automatically receive the latest hard copy of your standards when they're revised or replaced.

To find out more about becoming a BSI Subscribing Member and the benefits of membership, please visit bsigroup.com/shop.

With a **Multi-User Network Licence (MUNL)** you are able to host standards publications on your intranet. Licences can cover as few or as many users as you wish. With updates supplied as soon as they're available, you can be sure your documentation is current. For further information, email subscriptions@bsigroup.com.

Revisions

Our British Standards and other publications are updated by amendment or revision.

We continually improve the quality of our products and services to benefit your business. If you find an inaccuracy or ambiguity within a British Standard or other BSI publication please inform the Knowledge Centre.

Useful Contacts

Customer Services

Tel: +44 345 086 9001

Email (orders): orders@bsigroup.com

Email (enquiries): cservices@bsigroup.com

Subscriptions

Tel: +44 345 086 9001

Email: subscriptions@bsigroup.com

Knowledge Centre

Tel: +44 20 8996 7004

Email: knowledgecentre@bsigroup.com

Copyright & Licensing

Tel: +44 20 8996 7070

Email: copyright@bsigroup.com

BSI Group Headquarters

389 Chiswick High Road London W4 4AL UK