

BS ISO 23160:2011



BSI Standards Publication

Watch cases and accessories — Tests of the resistance to wear, scratching and impacts

bsi.

...making excellence a habit.™

National foreword

This British Standard is the UK implementation of ISO 23160:2011.

The UK participation in its preparation was entrusted to Technical Committee STI/53, Specifications and test methods for jewellery and horology.

A list of organizations represented on this committee can be obtained on request to its secretary.

This publication does not purport to include all the necessary provisions of a contract. Users are responsible for its correct application.

© BSI 2011

ISBN 978 0 580 60384 6

ICS 39.040.10

Compliance with a British Standard cannot confer immunity from legal obligations.

This British Standard was published under the authority of the Standards Policy and Strategy Committee on 31 July 2011.

Amendments issued since publication

Date	Text affected
------	---------------

**Watch cases and accessories — Tests of
the resistance to wear, scratching and
impacts**

*Boîtes de montres et leurs accessoires — Essais de résistance à
l'usure, aux rayures et aux impacts*





COPYRIGHT PROTECTED DOCUMENT

© ISO 2011

All rights reserved. Unless otherwise specified, no part of this publication may be reproduced or utilized in any form or by any means, electronic or mechanical, including photocopying and microfilm, without permission in writing from either ISO at the address below or ISO's member body in the country of the requester.

ISO copyright office
Case postale 56 • CH-1211 Geneva 20
Tel. + 41 22 749 01 11
Fax + 41 22 749 09 47
E-mail copyright@iso.org
Web www.iso.org

Published in Switzerland

Contents

Page

Foreword	iv
Introduction.....	v
1 Scope	1
2 Normative references	1
3 Terms and definitions	1
4 Wear resistance	2
4.1 Wear test using moving ceramic chips.....	2
4.2 Wear test using continuous friction against a textile belt	4
4.3 Wear test by reciprocating movement against an abrasive surface.....	7
5 Scratch resistance.....	10
5.1 Objective.....	10
5.2 Description of test	10
5.3 Abrasive load	10
5.4 Operating procedure	10
5.5 Calibration	11
5.6 Evaluation of results	11
6 Impact resistance	11
6.1 Objective.....	11
6.2 Description of test	11
6.3 Abrasive material.....	12
6.4 Operating procedure	12
6.5 Calibration	13
6.6 Evaluation of results	13
Annex A (normative) Visual inspection of watch cases and wristlets or test samples after testing for resistance to wear, scratching and impacts	14
Annex B (informative) Examples of machines and abrasive elements used for the tests described in 4.1 and Clause 5	15
Bibliography.....	16

Foreword

ISO (the International Organization for Standardization) is a worldwide federation of national standards bodies (ISO member bodies). The work of preparing International Standards is normally carried out through ISO technical committees. Each member body interested in a subject for which a technical committee has been established has the right to be represented on that committee. International organizations, governmental and non-governmental, in liaison with ISO, also take part in the work. ISO collaborates closely with the International Electrotechnical Commission (IEC) on all matters of electrotechnical standardization.

International Standards are drafted in accordance with the rules given in the ISO/IEC Directives, Part 2.

The main task of technical committees is to prepare International Standards. Draft International Standards adopted by the technical committees are circulated to the member bodies for voting. Publication as an International Standard requires approval by at least 75 % of the member bodies casting a vote.

Attention is drawn to the possibility that some of the elements of this document may be the subject of patent rights. ISO shall not be held responsible for identifying any or all such patent rights.

ISO 23160 was prepared by Technical Committee ISO/TC 114, *Horology*, Subcommittee SC 6, *Precious metal coverings*.

This first edition of ISO 23160:2011 cancels and replaces ISO 3160-3:1993, which has been technically revised.

Introduction

The quality of a watch depends on many factors. Of these, the resistance of a watch to wear, scratches and impacts is an important aspect contributing to consumer satisfaction.

This International Standard describes tests to simulate the deterioration of the aesthetic of watch cases and their accessories in wearing conditions. In addition, it describes tests for evaluating the wear resistance of surfaces. Where possible, a calibration process is described. The intention of this is to measure and adjust the strain of wear.

For instance, results that simulate a year's wear can be seen after just a few hours, allowing the resistance of decorative layers or the base material to be examined and compared.

The results are evaluated through visual observation, by comparing the parts subjected to accelerated wear tests with reference samples. Evaluation can be completed by measuring roughness and colour changes.

Watch cases and accessories — Tests of the resistance to wear, scratching and impacts

1 Scope

This International Standard specifies tests for the evaluation of the resistance of watch cases and their wristlets to wear, scratching and impacts occurring when wearing the watch.

This International Standard is applicable mainly to complete watch cases fitted with wristlets. However, certain tests can be applied to the watch case only, to the complete or partial wristlet, or to specially prepared samples.

NOTE In order to simulate the state of degradation of a worn watch, it is possible to combine all tests described in this International Standard, by agreement between the contracting parties.

2 Normative references

The following referenced documents are indispensable for the application of this document. For dated references, only the edition cited applies. For undated references, the latest edition of the referenced document (including any amendments) applies.

ISO 2819, *Metallic coatings on metallic substrates — Electrodeposited and chemically deposited coatings — Review of methods available for testing adhesion*

ISO 8251, *Anodizing of aluminium and its alloys — Measurement of abrasion resistance of anodic oxidation coatings*

ISO 11640, *Leather — Tests for colour fastness — Colour fastness to cycles of to-and-fro rubbing*

ISO 27874, *Metallic and other inorganic coatings — Electrodeposited gold and gold alloy coatings for electrical, electronic and engineering purposes — Specification and test methods*

3 Terms and definitions

For the purposes of this document, the following terms and definitions apply.

3.1

wear

surface alteration, in particular resulting from friction against clothing

3.2

scratches

surface alterations resulting from general friction against all kinds of objects

3.3

impacts

surface alterations resulting from general shocks against hard and rough surfaces, as well as drops, when wearing the watch

4 Wear resistance

4.1 Wear test using moving ceramic chips

4.1.1 Objective

The aim of this test is to simulate general wear which results from wearing the watch.

4.1.2 Description of test

This wear test is performed using an industrial rotating or vibrating polishing machine, on which a receptacle made of a synthetic organic material is mounted, containing the tested parts and an abrasive load.

On gold plated components, one cycle corresponds to one year of effective wear. For other layers, the correspondence shall be established.

The test conditions depend on the type of machine being used. An example of the test conditions of two machines is shown in B.1.

4.1.3 Abrasive load

4.1.3.1 General

The abrasive load shall be composed of abrasive ceramic elements mixed with fresh water containing a surface tension agent.

Other abrasive elements may also be used, as long as the results remain within the agreed limits established in the calibration test, as described in 4.1.5.

4.1.3.2 Ceramic chips

It is recommended that cylindrical abrasive elements, truncated at 45° at each end and consisting of agglomerated grains of corundum, be used, in accordance with the characteristics defined in Figure 1 and Table 1.

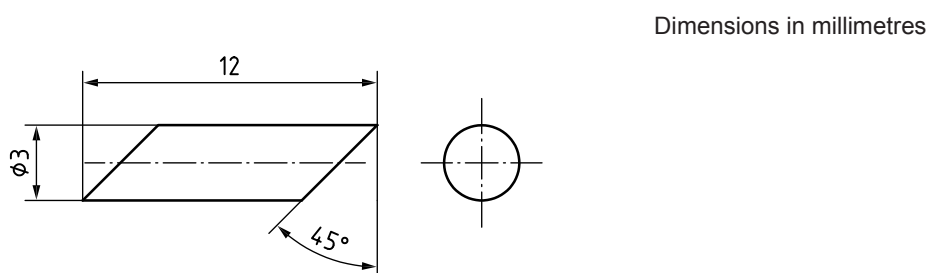


Figure 1 — Details of ceramic chips

Table 1 — Characteristics of ceramic chips

Dimensions	diameter 3 mm, length 12 mm								
Indicative density	2,56 g/cm ³								
Hardness	900 HV ± 100 HV								
Indicative chips composition	<table border="0"> <tr> <td>— Al₂O₃</td> <td>45 %</td> </tr> <tr> <td>— SiO₂</td> <td>43 %</td> </tr> <tr> <td>— C</td> <td>10 %</td> </tr> <tr> <td>— Na, Mg, K, Ca, Ti, Fe</td> <td></td> </tr> </table>	— Al ₂ O ₃	45 %	— SiO ₂	43 %	— C	10 %	— Na, Mg, K, Ca, Ti, Fe	
— Al ₂ O ₃	45 %								
— SiO ₂	43 %								
— C	10 %								
— Na, Mg, K, Ca, Ti, Fe									
Abrasive mix (indicative proportions)	<ul style="list-style-type: none"> — 1 l after being run in chips — 200 ml water — 6 ml concentrated surface tension agent 								
An example of ceramic chips is given in B.2.1.									

4.1.3.3 Ceramic balls

It is recommended that abrasive elements in the form of small balls, consisting of agglomerated grains of corundum, be used, in accordance with the characteristics defined in Table 2.

Table 2 — Characteristics of ceramic balls

Dimensions	diameter 3 mm to 4 mm								
Indicative density	2,56 g/cm ³								
Hardness	1 320 HV ± 25 HV								
Indicative balls composition	<table border="0"> <tr> <td>— Al₂O₃</td> <td>40 %</td> </tr> <tr> <td>— SiO₂</td> <td>50 %</td> </tr> <tr> <td>— C</td> <td>10 %</td> </tr> <tr> <td>— Na, Mg, K, Ca, Ti, Fe</td> <td></td> </tr> </table>	— Al ₂ O ₃	40 %	— SiO ₂	50 %	— C	10 %	— Na, Mg, K, Ca, Ti, Fe	
— Al ₂ O ₃	40 %								
— SiO ₂	50 %								
— C	10 %								
— Na, Mg, K, Ca, Ti, Fe									
Abrasive mix (indicative proportions)	<ul style="list-style-type: none"> — 1 kg ceramic balls — 250 ml water — 25 ml concentrated surface tension agent 								
An example of ceramic balls is given in B.2.2.									

4.1.4 Operating procedure

The watch case and its wristlet shall be introduced into the receptacle containing the abrasive load described in 4.1.3. They shall be examined after each cycle.

For calibration, new calibration washers shall be subjected to one wear cycle and their loss of mass measured. The chips shall be run in for at least 50 h.

The type of parts being tested determines the limit of durability of the chips. In all cases, the amount of wear should stay within the defined limits.

4.1.5 Calibration

The duration of the test to simulate the wear of watch cases and wristlets after one year's wear can be evaluated by observing the loss of mass of a standard washer in accordance with the characteristics defined in Figure 2 and Table 3. Once this loss of mass has been established, the duration of one cycle of the accelerated wear test can be determined and observed.

Loss of mass after one cycle should be $6 \text{ mg} \pm 2 \text{ mg}$, measured using a precision balance with a resolution of 0,1 mg.

Dimensions in millimetres

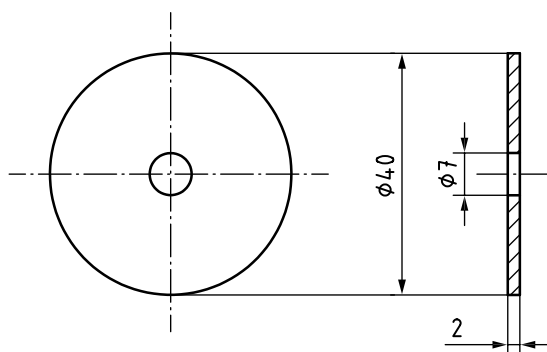


Figure 2 — Details of a standard washer

Table 3 — Characteristics of a standard washer

Material	Stainless steel 1.4435 or 1.4404
Hardness max.	210 HV1 \pm 10 HV1
Roughness	N5 (<i>Ra</i> 0,4 μm)

4.1.6 Evaluation of results

Evaluation of wear is done principally by visual inspection and by comparison with reference samples. See Annex A.

Metallographic sections or other methods of determining the thickness of the samples or their coating(s) may be performed to assess the wear which has occurred.

In addition, a corrosion test can be carried out to reveal any possible exposure of the base material.

The limit of wear resistance shall be defined by agreement between the contracting parties.

4.2 Wear test using continuous friction against a textile belt

4.2.1 Objective

The aim of this test is to simulate mild wear resulting from friction against clothes, similar to actual watch wearing conditions.

4.2.2 Description of test

4.2.2.1 General

The test device drives a textile friction belt, applying pressure against a test sample in accordance with Figure 3.

4.2.2.2 Test conditions

The test conditions shall be as follows:

- a) strain force of the textile belt: 50 N;
- b) speed of the textile belt: 0,5 m/s;
- c) penetration of the test sample: 15 mm;
- d) test duration: 3 h.

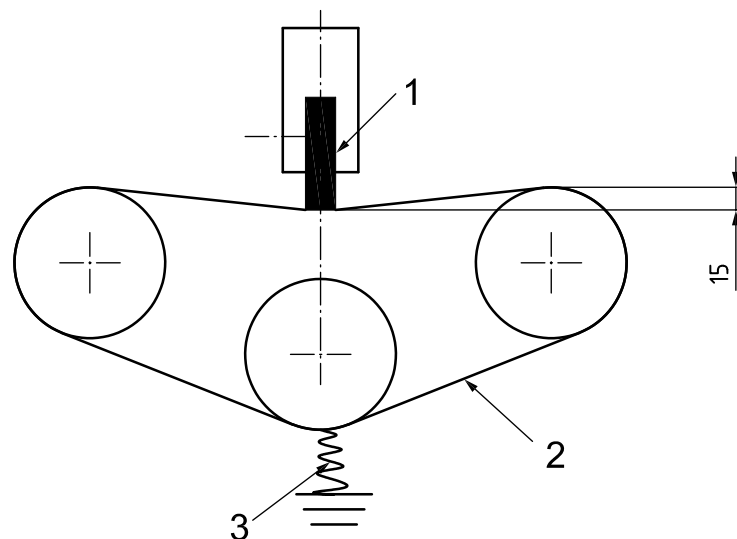
4.2.2.3 Test sample

The textile belt test can be used to test wear resistance of case coatings, wristlets and other components.

Before beginning the test, the adhesion force of the decorative coatings shall be checked, using the methods specified in ISO 2819 and ISO 27874.

The test sample shall be correctly positioned, with parallel contact to the textile belt.

Dimensions in millimetres



Key

- 1 sample
- 2 textile belt
- 3 tension on wheel

Figure 3 — Device for wear test using a textile belt

4.2.3 Abrasive material

The textile belt should have the characteristics shown in Table 4.

Table 4 — Characteristics of textile belt

Material	Terylene
Width	30 mm
Thickness	1,83 mm
Fabric fineness	T62 × 4 tex/W62 × 2 tex

4.2.4 Operating procedure

Prepare a sample with surface characteristics identical to the surfaces of the watch cases and accessories to be evaluated. (See Figure 4.)

The height of the test sample should be adjusted so that the textile part at the contact position can be shifted by 15 mm.

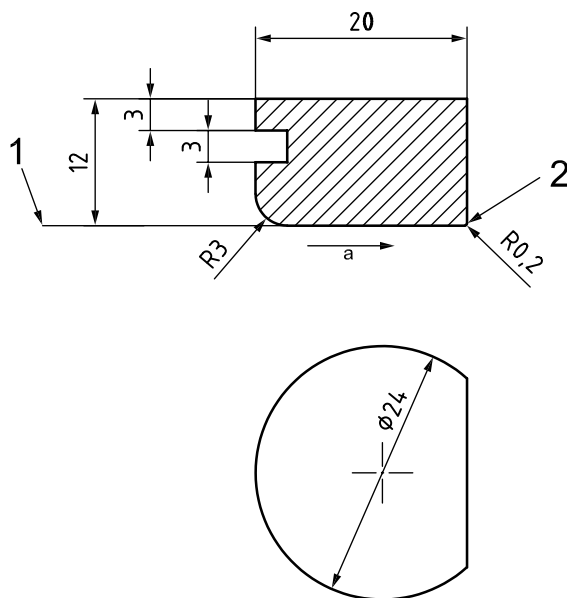
The test sample and test device shall be prepared and cleaned in the same conditions as standard parts.

The test sample shall be mounted firmly, with its surface parallel to the surface of the textile belt. The motor drives the belt in one single direction. After one cycle, or by agreement between the contracting parties, the amount of wear of the test sample is examined.

4.2.5 Calibration

The characteristics of the calibrating gauge should be in accordance with Figure 4 and Table 5.

Dimensions in millimetres



Key

- 1 wear surface
- 2 edge
- ^a Direction of movement of textile belt.

Figure 4 — Calibrating gauge

Table 5 — Characteristics of calibrating gauge

Material	Stainless steel 1.4435 or 1.4404
Hardness max.	210 HV1 ± 10 HV1
Roughness	N5 (<i>Ra</i> 0,4 µm)

The function of the calibrating gauge is to determine the wear rate after one or several test cycles. The calibrating gauge should be positioned so that the circular part of the surface to be tested is against the direction of movement of the textile belt. The extent of wear on edge 2 can then be measured.

Most changes in test results relating to mild wear are caused by dust. Clean the gauge surface before each test cycle.

4.2.6 Evaluation of results

Evaluation of the results shall be made principally by visual observation and comparison. See Annex A.

The wear resistance of test samples should be determined by comparison with the calibrating gauge, using the equation:

$$m = \frac{q_1}{q_2}$$

where

m is the multiple of wear resistance of stainless steel;

q_1 is the amount of wear to the calibrating gauge;

q_2 is the amount of wear to the test sample.

Use a precision balance with a resolution of 0,1 mg. In some cases, it is impossible to determine mild wear using thickness and mass decreasing methods. The wear is therefore considered to be negligible.

4.3 Wear test by reciprocating movement against an abrasive surface

4.3.1 General

This test is very precise; the dust produced by the wear process does not stay on the sample as a consequence of the design of the test device.

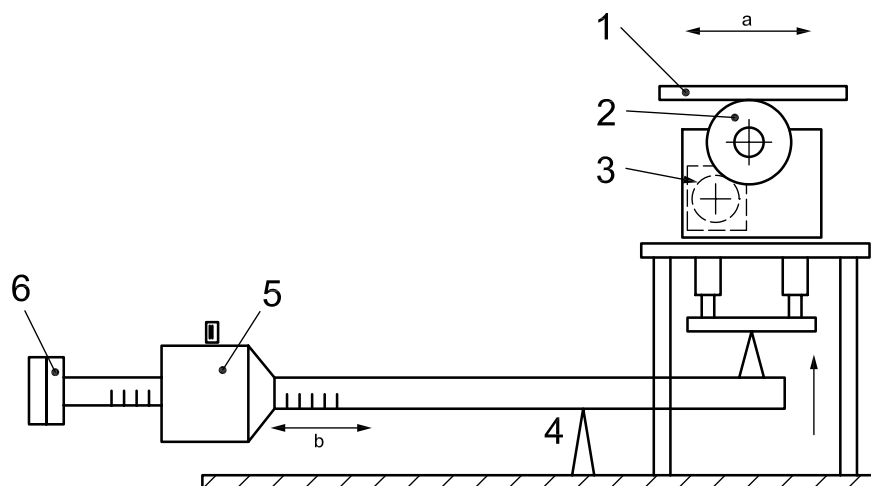
4.3.2 Objective

The aim of this test is to determine the wear resistance of base material or coatings on flat test samples, through repeated reciprocating tests.

4.3.3 Description of test

The test device comprises a carriage which moves the flat test sample back and forth. The abrasive surface exerts pressure, pushing with calibrated force against the surface of the test sample, in accordance with Figure 5 and Table 6.

The test device is general-purpose equipment complying with ISO 8251.



Key

- 1 sample
 - 2 abrasive wheel
 - 3 stepping motor
 - 4 fulcrum
 - 5 load variation control
 - 6 load
- a Reciprocating movement.
b Load setting scale.

Figure 5 — Example of test device for wear test using reciprocating movement

Table 6 — Characteristics of the test device

Reciprocating frequency	60 times per minute (60 DS/min)
Wear surface, mm	30 × 12 (Stroke = 30)
Abrasive wheel dimensions, mm	Diameter: 50 Width: 12 Rotation by 0,9° after each cycle of reciprocating movement
Load, N	Gold alloy coating: < 14,7 Hard coating: 14,7 to 24,5 Load shall be decided by agreement between contracting parties
Test sample dimensions, mm	Minimum: 30 × 50 Maximum: 70 × 300 Maximum thickness: 4
Number of wear cycles	Digital setting and display: 6 digits max. (0 to 999999)
Outer dimensions, cm	Main unit: 60 (length) × 32 (width) × 30 (height) Approximate mass: 20
Mass, kg	Control unit: 31 (length) × 31 (width) × 200 (height) Approximate mass: 8

A reader fitted with an automatic stop allows cycles to be counted accurately. One cycle corresponds to one reciprocating motion and one rotation of 0,9°.

Before starting a test, adhesion of coatings may be checked using methods in accordance with ISO 2819 and ISO 27874.

4.3.4 Abrasive material

Several abrasive materials can be used, such as abrasive paper with silicon carbide (SiC), alumina, diamond, cloth and other materials, depending on the requirements.

Paper dimensions: 12 mm × 158 mm; particle size # 240 to # 2000.

Other abrasive papers may be selected by agreement between the contracting parties.

A test report should be issued specifying the type of abrasive material used, as well as load, speed, number of cycles, geometry contact, temperature and relative humidity.

4.3.5 Operating procedure

4.3.5.1 General

The test sample and the test device shall be prepared and cleaned in the same conditions as standard parts.

Test samples shall be prepared so that they have the same surface characteristics as the watch cases and accessories under consideration. The test samples shall be mounted on the machine and the defined conditions for the test shall be applied.

The test samples shall be regularly examined during the test and compared to reference samples.

4.3.5.2 Description of operating procedure

The operating procedure shall be the following:

- a) Wrap the specified abrasive paper correctly and smoothly around the circumference of the wheel.
- b) Put the sample in place and carry out a preliminary wear test under the defined conditions.
- c) Clean the surface of the sample with a soft cloth and then measure the mass of the sample using a balance with a resolution of 0,1 mg, or measure the initial coating thickness. Carry out this wear test without changing the friction position.
- d) Do not re-use the abrasive paper. The abrasive paper must be replaced after 400 cycles of reciprocating movement, i.e. one complete revolution.
- e) Carry out wear test until a measurable difference in mass is reached or the substrate is exposed.

After wear tests, measure the mass of the sample according to c) or measure the thickness of the coating. If the substrate is visible after the wear test, it shall be mentioned in the test report.

4.3.6 Calibration

There is no calibration procedure.

4.3.7 Evaluation of results

Evaluation of wear is done principally by visual inspection and by comparison with reference samples of the same material (metallurgical state, coating). See Annex A.

Metallographic analysis or other methods of determining the thickness of the samples or their coating(s) may be performed to assess the wear which has occurred.

In addition, a corrosion test can be carried out to reveal possible exposure of the base material.

The limit of wear resistance shall be defined by agreement between the contracting parties.

5 Scratch resistance

5.1 Objective

The aim of this test is to rapidly determine whether watch cases and wristlets are likely to be scratched through simple transport and handling operations or by rubbing on lightly abrasive surfaces such as clothes or furniture.

5.2 Description of test

An industrial rotating polishing machine similar to that in 4.1 shall be used. The part subjected to the test shall be placed into a cylindrical container with a volume of 0,3 l (diameter: 80 mm, height: 60 mm). Its inside surfaces shall be covered with blotting paper and it shall contain a lightly abrasive material.

5.3 Abrasive load

It is recommended that a lightly abrasive load consisting of 5 to 15 pieces of felt complying with ISO 11640, and glass powder, be used. The tested part and the abrasive material shall be able to move freely in the container.

The characteristics of the glass powder consisting of angular particles are defined in Table 7.

Table 7 — Characteristics of the glass powder

Particle size	Dv _{0,5} 210 µm
Indicative density	2,6 g/cm ³
Hardness	630 HV ± 100 HV
Indicative composition	<ul style="list-style-type: none"> — SiO₂ ≥65 % — Al₂O₃ ≤0,5 to 2,0 % — Fe₂O₃ <0,15 % — MgO ≥2,5 % — CaO ≥8,0 % — Na₂O ≥14,0 % — others ≤2,0 %
An example of glass powder is given in B.2.3.	

5.4 Operating procedure

The rotational speed of the machine being 90 r/min, a test duration of 3 min is set and the tested components are observed after 1, 2 and 3 min.

Other speeds and cycle durations can be defined by agreement between the contracting parties.

5.5 Calibration

There is no calibration procedure.

5.6 Evaluation of results

Evaluation of the scratches is done principally by visual inspection and by comparison with reference samples. Roughness measurements can be carried out to complete the evaluation. See Annex A.

6 Impact resistance

6.1 Objective

The aim of this test is to evaluate the wear resistance of a watch case and its wristlet to impacts and damage resulting from general and accidental friction against very rough and hard abrasive surfaces.

6.2 Description of test

The watch case with its wristlet and extension are mounted on a standard support adapted to the part being subjected to the test.

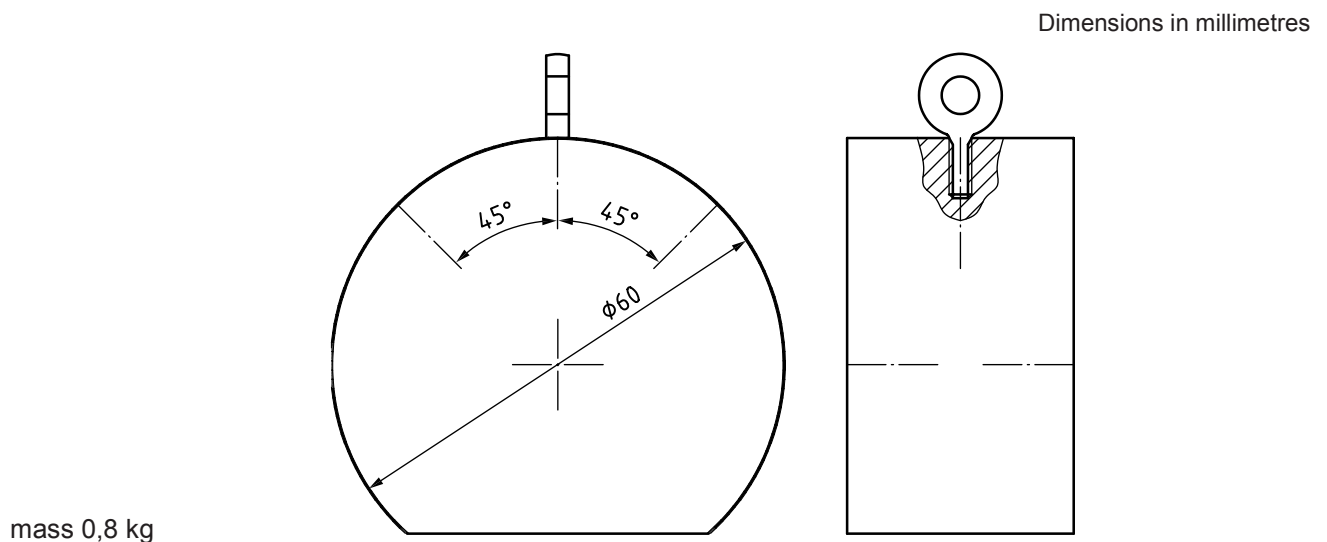


Figure 6 — Standard watch support

A test device fitted with a pincer enables the watch support to be secured, positioned and released, in accordance with the drop positions given in Figure 8. The indicative height, H , of the test device shall be adjusted for a drop of 40 cm.

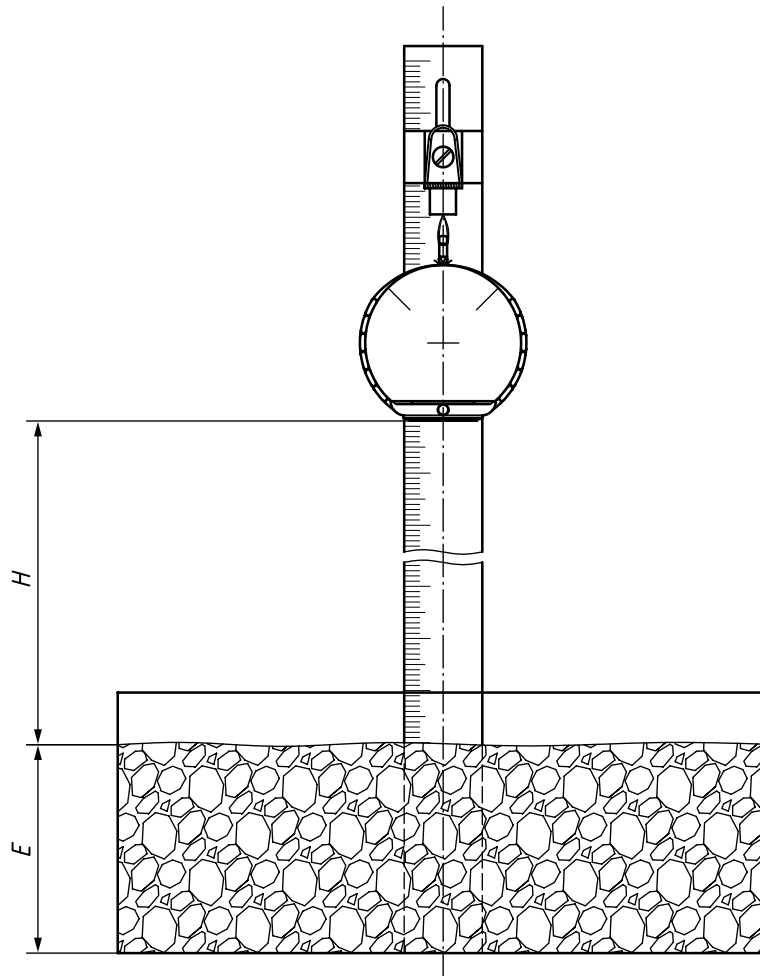


Figure 7 — Test device for drop tests

6.3 Abrasive material

A receptacle filled with ceramic chips (not run in) as described in 4.1.3.2 shall be placed under the support fixing pincer. The layer, E , of ceramic chips shall be 8 cm thick with a surface area of approximately 500 cm².

Other abrasive materials may also be used by agreement between the contracting parties.

6.4 Operating procedure

A drop impact test is carried out through a succession of 5 drops, each in a different position. Depending on the specifications of the parts to be tested, this test may be repeated more than once. However, it is unlikely that more than 7 repetitions will be exceeded.

Each drop is performed by fitting the support on which a watch is mounted on the pincer of the tripod in the desired position. Before releasing the support by opening the pincer, the bed of ceramic chips shall be smoothed over.

The succession of 5 drop positions is illustrated in Figure 8.

After the test, the watch case and its wristlet shall be examined.

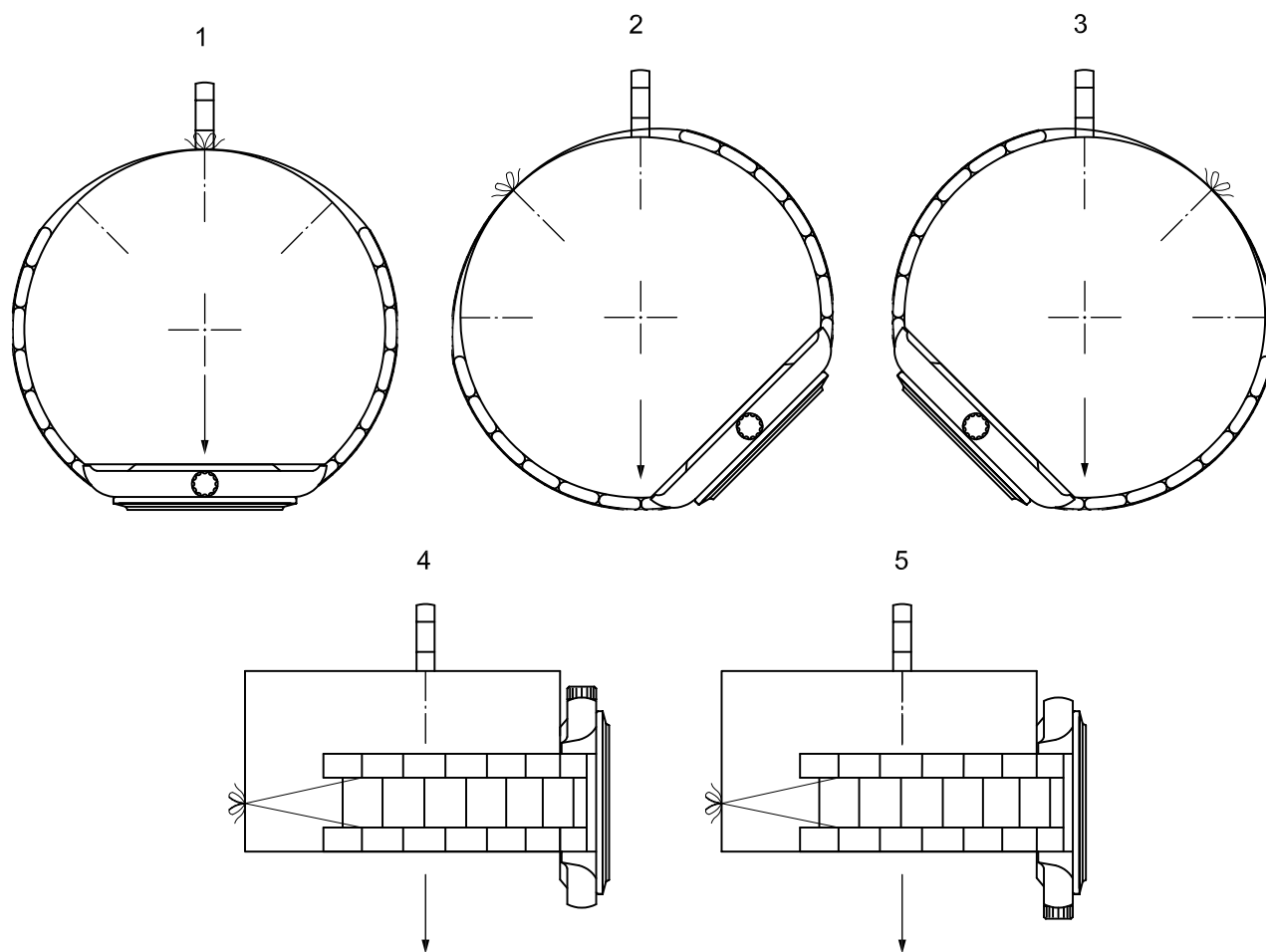


Figure 8 — Succession of drops onto ceramic chips to be performed for the complete test

6.5 Calibration

There is no calibration procedure.

6.6 Evaluation of results

Evaluation of damage is done principally by visual inspection and by comparison with reference samples. See Annex A.

After each drop impact test, the following criteria shall be observed:

- appearance after testing;
- characteristics of the abrasive damage, i.e. density, nature and position of scratches, cracking, detachment of protective layers, surface deformation, etc.;
- number of cycles after which the first damage was observed.

Annex A (normative)

Visual inspection of watch cases and wristlets or test samples after testing for resistance to wear, scratching and impacts

A.1 General

This International Standard specifies the method and conditions of visual inspection of watch cases and accessories, or test samples subjected to tests for resistance to wear, scratching and impacts.

The test method and test conditions have been chosen to facilitate the identification and inspection of damage such as: irregular colour tone, roughness, burns, cracks, exposure of base material or undercoating and all signs of defective adhesion such as blister and peeling.

A.2 Background and light source

Illuminate the test sample over the testing surface using a white light as close as possible to natural light, through frosted glass or similar. The test sample shall be placed against a background that contrasts well with the colour of the test sample.

A standard light source D65 with intensity of more than 500 lx shall be used.

A.3 Procedure

For visual inspection, the test samples shall be placed and held under normal servicing conditions, at the distance of distinct vision (about 30 cm), in accordance with the conditions given in A.2.

A.4 Evaluation method

Evaluation of the specified quality shall be made by comparing test samples that show acceptable and unacceptable defects, by agreement between the contracting parties. A magnifying glass with a magnifying capability of equal to or less than $\times 4$ shall be used when examination with the naked eye is not possible.

Annex B (informative)

Examples of machines and abrasive elements used for the tests described in 4.1 and Clause 5

B.1 Industrial polishing machines

Polyservice (Type D6) and Turbula (Type T2C)¹⁾ machines may be used to perform the wear resistance test as described in 4.1 and the scratch resistance test as described in Clause 5. The test conditions are as follows.

Characteristics	Wear testing machines	
	by vibration Polyservice (Type D6)	by rotation Turbula (Type T2C)
Duration for 1 cycle	48 h	24 h
Rotation speed	50 Hz (Speed 2)	46 r/min
Volume of receptacle	6 l	2 l of PE (diameter: 120 mm, height: 200 mm)
Acceleration	Direction x and y: 38 m/s ²	
	Direction z: 50 m/s ²	
Abrasive type	Ceramic chips	Ceramic balls

B.2 Abrasive elements

B.2.1 Ceramic chips

Delfir-Chips Cylindre AC M3 3 × 12¹⁾ ceramic chips have the same characteristics as those described in 4.1.3.2.

B.2.2 Ceramic balls

Delfir-Chips Bille M6 3-4¹⁾ ceramic balls have the same characteristics as those described in 4.1.3.3.

B.2.3 Glass powder

Bremor BR 650¹⁾ glass powder has the same characteristics as those described in 5.3.

1) Polyservice (Type D6) and Turbula (Type T2C), Delfir-Chips Cylindre AC M3 3 × 12, Delfir-Chips Bille M6 3-4 and Bremor BR 650 are examples of suitable products available commercially. This information is given for the convenience of users of this International Standard and does not constitute an endorsement by ISO of these products.

Bibliography

- [1] EN 12472:2005 + A1:2009, *Method for the simulation of wear and corrosion for the detection of nickel release from coated items*
- [2] ASTM D4060-07, *Standard Test Method for Abrasion Resistance of Organic Coatings by the Taber Abraser*
- [3] ASTM D2794-93(2010), *Standard Test Method for Resistance of Organic Coatings to the Effects of Rapid Deformation (Impact)*

British Standards Institution (BSI)

BSI is the national body responsible for preparing British Standards and other standards-related publications, information and services.

BSI is incorporated by Royal Charter. British Standards and other standardization products are published by BSI Standards Limited.

About us

We bring together business, industry, government, consumers, innovators and others to shape their combined experience and expertise into standards-based solutions.

The knowledge embodied in our standards has been carefully assembled in a dependable format and refined through our open consultation process. Organizations of all sizes and across all sectors choose standards to help them achieve their goals.

Information on standards

We can provide you with the knowledge that your organization needs to succeed. Find out more about British Standards by visiting our website at bsigroup.com/standards or contacting our Customer Services team or Knowledge Centre.

Buying standards

You can buy and download PDF versions of BSI publications, including British and adopted European and international standards, through our website at bsigroup.com/shop, where hard copies can also be purchased.

If you need international and foreign standards from other Standards Development Organizations, hard copies can be ordered from our Customer Services team.

Subscriptions

Our range of subscription services are designed to make using standards easier for you. For further information on our subscription products go to bsigroup.com/subscriptions.

With **British Standards Online (BSOL)** you'll have instant access to over 55,000 British and adopted European and international standards from your desktop. It's available 24/7 and is refreshed daily so you'll always be up to date.

You can keep in touch with standards developments and receive substantial discounts on the purchase price of standards, both in single copy and subscription format, by becoming a **BSI Subscribing Member**.

PLUS is an updating service exclusive to BSI Subscribing Members. You will automatically receive the latest hard copy of your standards when they're revised or replaced.

To find out more about becoming a BSI Subscribing Member and the benefits of membership, please visit bsigroup.com/shop.

With a **Multi-User Network Licence (MUNL)** you are able to host standards publications on your intranet. Licences can cover as few or as many users as you wish. With updates supplied as soon as they're available, you can be sure your documentation is current. For further information, email bsmusales@bsigroup.com.

BSI Group Headquarters

389 Chiswick High Road London W4 4AL UK

Revisions

Our British Standards and other publications are updated by amendment or revision.

We continually improve the quality of our products and services to benefit your business. If you find an inaccuracy or ambiguity within a British Standard or other BSI publication please inform the Knowledge Centre.

Copyright

All the data, software and documentation set out in all British Standards and other BSI publications are the property of and copyrighted by BSI, or some person or entity that owns copyright in the information used (such as the international standardization bodies) and has formally licensed such information to BSI for commercial publication and use. Except as permitted under the Copyright, Designs and Patents Act 1988 no extract may be reproduced, stored in a retrieval system or transmitted in any form or by any means – electronic, photocopying, recording or otherwise – without prior written permission from BSI. Details and advice can be obtained from the Copyright & Licensing Department.

Useful Contacts:

Customer Services

Tel: +44 845 086 9001

Email (orders): orders@bsigroup.com

Email (enquiries): cservices@bsigroup.com

Subscriptions

Tel: +44 845 086 9001

Email: subscriptions@bsigroup.com

Knowledge Centre

Tel: +44 20 8996 7004

Email: knowledgecentre@bsigroup.com

Copyright & Licensing

Tel: +44 20 8996 7070

Email: copyright@bsigroup.com



...making excellence a habit.™