

BS ISO 22915-22:2014



BSI Standards Publication

Industrial trucks — Verification of stability

Part 22: Lateral- and front-stacking trucks with and without elevating operator position

bsi.

...making excellence a habit.™

National foreword

This British Standard is the UK implementation of ISO 22915-22:2014.

The UK participation in its preparation was entrusted to Technical Committee MHE/7, Industrial trucks.

A list of organizations represented on this committee can be obtained on request to its secretary.

This publication does not purport to include all the necessary provisions of a contract. Users are responsible for its correct application.

© The British Standards Institution 2015.
Published by BSI Standards Limited 2015

ISBN 978 0 580 72644 6

ICS 53.060

Compliance with a British Standard cannot confer immunity from legal obligations.

This British Standard was published under the authority of the Standards Policy and Strategy Committee on 31 January 2015.

Amendments/corrigenda issued since publication

Date	Text affected
------	---------------

**Industrial trucks — Verification of
stability —**

Part 22:
**Lateral- and front-stacking trucks
with and without elevating operator
position**

Chariots de manutention — Vérification de la stabilité —

*Partie 22: Chariots à prise latérale - et frontale - avec et sans poste de
conduite élevable*





COPYRIGHT PROTECTED DOCUMENT

© ISO 2014

All rights reserved. Unless otherwise specified, no part of this publication may be reproduced or utilized otherwise in any form or by any means, electronic or mechanical, including photocopying, or posting on the internet or an intranet, without prior written permission. Permission can be requested from either ISO at the address below or ISO's member body in the country of the requester.

ISO copyright office
Case postale 56 • CH-1211 Geneva 20
Tel. + 41 22 749 01 11
Fax + 41 22 749 09 47
E-mail copyright@iso.org
Web www.iso.org

Published in Switzerland

Contents

	Page
Foreword	iv
1 Scope	1
2 Normative references	1
3 Terms and definitions	1
4 Test conditions	2
4.1 General.....	2
4.2 Position of the truck on tilt table.....	2
4.3 Lift height.....	3
5 Verification of stability	3
Bibliography	10

Foreword

ISO (the International Organization for Standardization) is a worldwide federation of national standards bodies (ISO member bodies). The work of preparing International Standards is normally carried out through ISO technical committees. Each member body interested in a subject for which a technical committee has been established has the right to be represented on that committee. International organizations, governmental and non-governmental, in liaison with ISO, also take part in the work. ISO collaborates closely with the International Electrotechnical Commission (IEC) on all matters of electrotechnical standardization.

The procedures used to develop this document and those intended for its further maintenance are described in the ISO/IEC Directives, Part 1. In particular the different approval criteria needed for the different types of ISO documents should be noted. This document was drafted in accordance with the editorial rules of the ISO/IEC Directives, Part 2 (see www.iso.org/directives).

Attention is drawn to the possibility that some of the elements of this document may be the subject of patent rights. ISO shall not be held responsible for identifying any or all such patent rights. Details of any patent rights identified during the development of the document will be in the Introduction and/or on the ISO list of patent declarations received (see www.iso.org/patents).

Any trade name used in this document is information given for the convenience of users and does not constitute an endorsement.

For an explanation on the meaning of ISO specific terms and expressions related to conformity assessment, as well as information about ISO's adherence to the WTO principles in the Technical Barriers to Trade (TBT) see the following URL: Foreword - Supplementary information

The committee responsible for this document is ISO/TC 110, *Industrial trucks*, Subcommittee SC 2, *Safety of powered industrial trucks*.

ISO 22915 consists of the following parts, under the general title *Industrial trucks — Verification of stability*:

- *Part 1: General*
- *Part 2: Counterbalanced trucks with mast*
- *Part 3: Reach and straddle trucks*
- *Part 4: Pallet stackers, double stackers and order-picking trucks up to and including 1 200 mm lift height*
- *Part 5: Single-side-loading trucks*
- *Part 7: Bidirectional and multidirectional trucks*
- *Part 8: Additional stability test for trucks operating in the special condition of stacking with mast tilted forward and load elevated*
- *Part 9: Counterbalanced trucks with mast handling freight containers of 6 m (20 ft) length and longer*
- *Part 10: Additional stability test for trucks operating in the special condition of stacking with load laterally displaced by powered devices*
- *Part 11: Industrial variable-reach trucks*
- *Part 12: Industrial variable-reach trucks handling freight containers of 6 m (20 ft) length and longer*
- *Part 13: Rough-terrain trucks with mast*
- *Part 14: Rough-terrain variable-reach trucks*

- *Part 15: Counterbalanced trucks with articulated steering*
- *Part 16: Pedestrian-propelled trucks*
- *Part 20: Additional stability test for trucks operating in the special condition of offset load, offset by utilization*
- *Part 21: Order-picking trucks with operator position elevating above 1 200 mm*
- *Part 22: Lateral- and front-stacking trucks with and without elevating operator position*
- *Part 24: Slewing variable-reach rough-terrain trucks*

Industrial and RTT lorry-mounted trucks are to form the subject of a future part 23.

Industrial trucks — Verification of stability —

Part 22:

Lateral- and front-stacking trucks with and without elevating operator position

1 Scope

This part of ISO 22915 specifies the tests to verify the stability of lateral- and front-stacking trucks, as defined in ISO 5053-1, with and without elevating operator position.

It applies to trucks fitted with fork arms, shuttle forks, and/or integrated attachments under normal operating conditions.

It applies to trucks fitted with a load carrier that can be shifted laterally or pivoted out of the longitudinal centre plane of the truck.

2 Normative references

The following documents, in whole or in part, are normatively referenced in this document and are indispensable for its application. For dated references, only the edition cited applies. For undated references, the latest edition of the referenced document (including any amendments) applies.

ISO 5053-1, *Powered industrial trucks — Terminology and classification — Part 1: Types of industrial trucks*

ISO 22915-1, *Industrial trucks — Verification of stability — Part 1: General*

3 Terms and definitions

For the purpose of this document, the terms and definitions given in ISO 22915-1 and the following apply

3.1

normal operating condition

operating condition corresponding to the truck travelling indoors on smooth, level floors of sufficient strength such as those of concrete

3.2

guided steering

steering mode, either mechanical (e.g. guidance rails) or non-mechanical (e.g. inductive guidance, laser sensor or infrared) not controlled directly by the operator, used to steer the truck on a predetermined straight path while travelling

3.3

restricted steering

operation under which the truck's steering is controlled by the operator and the steering angle is limited to not more than $\pm 10^\circ$ from the forward or reverse travel direction

3.4

unrestricted steering

steering mode controlled by the operator with no limitation of the steering angle

4 Test conditions

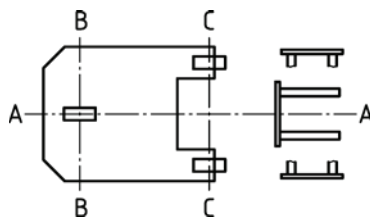
4.1 General

See ISO 22915-1.

4.2 Position of the truck on tilt table

4.2.1 Load and steer axles

The load axle and the drive/steer axle are defined by [Figure 1](#).



Key

- A-A longitudinal centre plane of truck
- B-B drive/steer axle
- C-C load axle

Figure 1 — Load axle and drive/steer axle

4.2.2 Tests 1, 2 and 3

The truck shall be positioned on the tilt table with the drive (steer) axle B-B and the load axle C-C parallel to the tilt axis X-Y, of the tilt table. See [Table 1](#).

4.2.3 Test 4

The truck shall be positioned on the tilt table with the longitudinal centre plane of truck A-A parallel to the tilt axis X-Y, of the tilt table. See [Table 1](#).

4.2.4 Tests 5, 6 and 7

The truck shall be positioned on the tilt table with the line M-N parallel to the tilt axis X-Y, of the tilt table.

Point M is defined as follows:

- a) For trucks with dual drive (steer) wheels, point M is the vertical projection onto the tilt table of the point of intersection between the centre line of the drive axle and the centre plane of A-A of the truck.
- b) For trucks with a single drive (steer) wheel, point M is the vertical projection onto the tilt table of the point of intersection between the centre line of the drive (steer) axle and the centre line of the drive wheel width.
- c) For trucks with a sprung castor or wheel, point M is the vertical projection onto the tilt table of the point of intersection between the centre line of the drive wheel axle and the centre line of drive wheel width.
- d) For trucks with a drive (steer axle in an articulated frame), point M is the vertical projection onto the tilt table of the point of intersection between the lateral axis of the articulating frame and the point of articulation.

- e) For trucks with a non-articulated drive wheel, point M is the vertical projection onto the tilt table of the point of intersection between the centre line of the drive wheel axle and centre line of drive wheel width.
- f) For trucks with non-articulated, non-sprung castor or wheel point M is the vertical projection onto the tilt table of the point of intersection between the centre line of the castor or wheel axle and the centre line of the castor wheel or drive wheel width. The castor or wheel shall be positioned with the centre line of the castor wheel axle nearer to the centre plane of the truck.
- g) For trucks with five-wheel suspension, four solid and one articulated point M are the projection to the tilt table of the intersection of the pivot axis of the three-wheel articulated frame and the centre line between the tires.
- h) For trucks with centre-articulating frame steering, point M is the projection to the tilt table from the intersection of the centre line of the drive wheel axle and the centre line of the drive wheel width.

Point N indicates the centre point of the area of contact between the tilt table surface and the front-load wheel closest to the tilt axis X-Y of the tilt table.

4.3 Lift height

Lift heights for tests shall be measured from the tilt table to the upper most point of the load-carrying surface.

5 Verification of stability

The stability shall be verified according to [Table 1](#).

Table 1 — Verification of stability of lateral- and front-stacking trucks with and without elevating operator position

Test criteria	Test 1	Test 2	Test 3	Test 4	Test 5	Test 6	Test 7	
Direction	Longitudinal, load leading	x						
	Longitudinal, load trailing		x					
	Lateral			x	x	x	x	
Test load	With	x	x	x	x			
	Without	x	x			x	x	
Load carrier position	Least stable side extended	x			x			
	Least stable transport		x		x	x	x	
Lift height		b	b	c	d	d	e	
	Tilt table angle	Guided steering	4 % ^f (4 + 0,62 · v) %	6 % ^g (0,28 + 1,43 · v) % ^h	8 % ^g (1,4 + 1,65 · v) % ^h	4 %	6 %	6 %
		Restricted steering						
Unrestricted steering								
v maximum speed of truck, km/h					6 % ^f (6 + 1,24 · v) %	6 % ^f (6 + 2,48 · v) %	(15 + 1,1 · v) %	
a Parallel.								
b Any attainable combination of lift height, load, and corresponding maximum travel speed that produces the least tilt table angle value for a given tilt table angle requirement of Test 1 and Test 2. Travel speed v can be zero.								
c Any attainable combination of lift height and load that produces the least tilt table angle value for a given tilt table angle requirement.								
d Any attainable combination of lift height above 1 200 mm and corresponding maximum travel speed that produces the least tilt table angle value for a given tilt table angle requirement.								
e Lift height up to and including 1 200 mm.								
f Requirement for speed up to and including 2,5 km/h (see ISO 3691-3[1] for speed limits when lateral reach mechanism is extended, retracting, or retracting).								
g For travel speeds up to and including 4 km/h.								
h For travel speeds above 4 km/h.								

Table 1 — (continued)

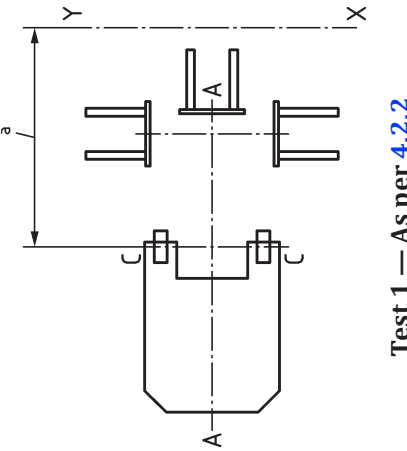
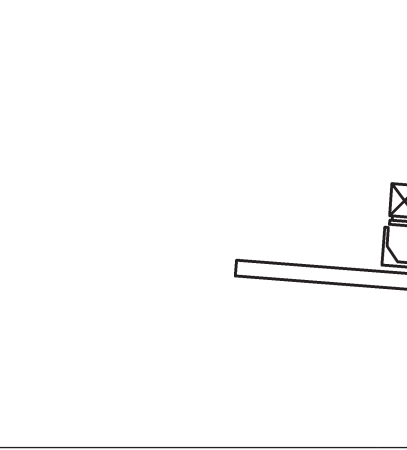
Tests 1 and 2	
<p>Truck position on tilt table</p> <p>Load handling device is leading — Load carrying device extended</p>	 <p style="text-align: center;">Test 1 — As per 4.2.2</p>
<p>Load handling device is leading — Load carrying device in transport position</p>	 <p style="text-align: center;">Test 2 — As per 4.2.2</p>
<p>a Parallel.</p>	

Table 1 — (continued)

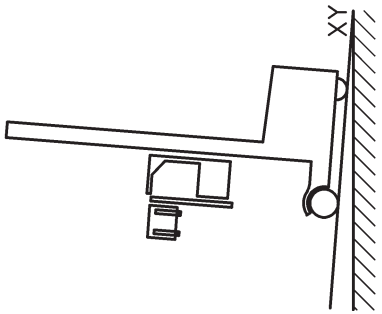
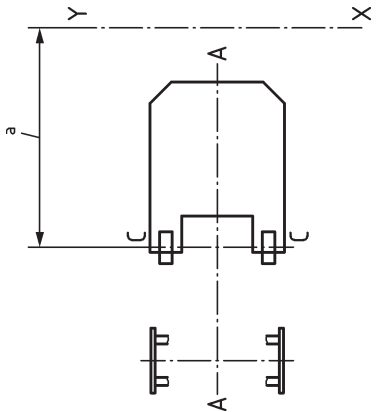
<p>Truck position on tilt table Load handling device is trailing — Load carrying device in transport position</p>	<p>Test 3</p>	<p>As per 4.2.2</p>
<p>a Parallel.</p>		

Table 1 — (continued)

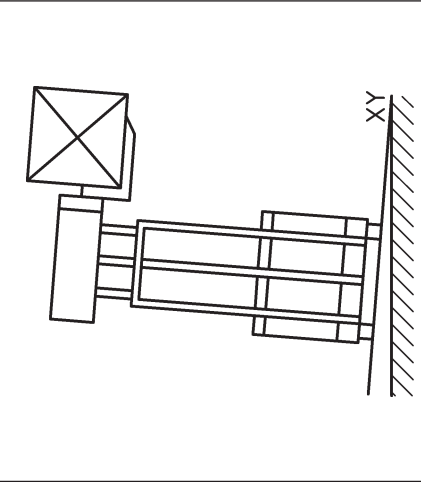
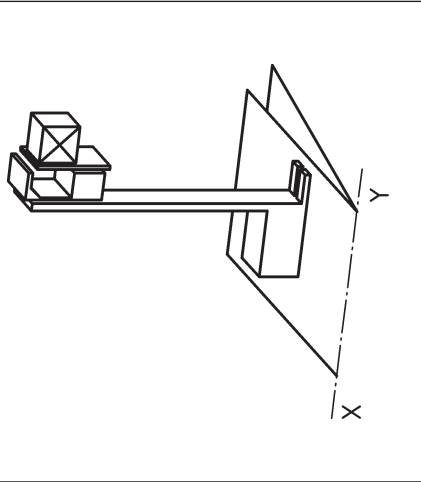
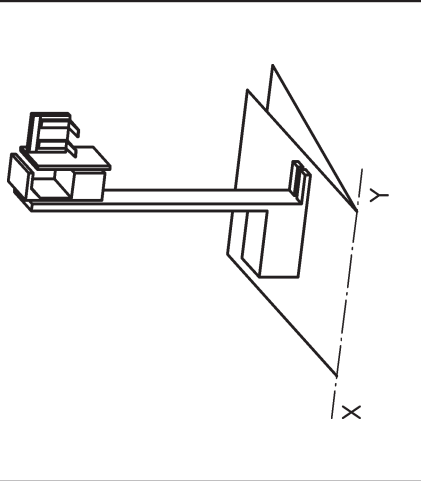
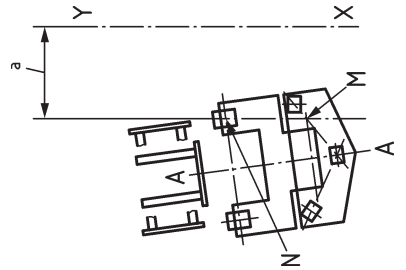
Truck position on tilt table Lateral tests	Test 4	Test 5	Tests 6 and 7
			
a Parallel.			

Table 1 — (continued)

Tests 5, 6 and 7				
Truck position on tilt table Points M and N	<p>As per 4.2.4 a)</p>	<p>As per 4.2.4 b)</p>	<p>As per 4.2.4 c)</p>	<p>As per 4.2.4 d)</p>
	<p>As per 4.2.4 d)</p>	<p>As per 4.2.4 e)</p>	<p>As per 4.2.4 e)</p>	<p>As per 4.2.4 f)</p>

a Parallel.

Table 1 — (continued)

Truck position on tilt table	Tests 5, 6, and 7	
Points M and N As per 4.2.4 g)		As per 4.2.4 h)
a	Parallel.	

Bibliography

- [1] ISO 3691-3, *Industrial trucks — Safety requirements and verification — Part 3: Additional requirements for trucks with elevating operator position and trucks specifically designed to travel with elevated loads*

British Standards Institution (BSI)

BSI is the national body responsible for preparing British Standards and other standards-related publications, information and services.

BSI is incorporated by Royal Charter. British Standards and other standardization products are published by BSI Standards Limited.

About us

We bring together business, industry, government, consumers, innovators and others to shape their combined experience and expertise into standards-based solutions.

The knowledge embodied in our standards has been carefully assembled in a dependable format and refined through our open consultation process. Organizations of all sizes and across all sectors choose standards to help them achieve their goals.

Information on standards

We can provide you with the knowledge that your organization needs to succeed. Find out more about British Standards by visiting our website at bsigroup.com/standards or contacting our Customer Services team or Knowledge Centre.

Buying standards

You can buy and download PDF versions of BSI publications, including British and adopted European and international standards, through our website at bsigroup.com/shop, where hard copies can also be purchased.

If you need international and foreign standards from other Standards Development Organizations, hard copies can be ordered from our Customer Services team.

Subscriptions

Our range of subscription services are designed to make using standards easier for you. For further information on our subscription products go to bsigroup.com/subscriptions.

With **British Standards Online (BSOL)** you'll have instant access to over 55,000 British and adopted European and international standards from your desktop. It's available 24/7 and is refreshed daily so you'll always be up to date.

You can keep in touch with standards developments and receive substantial discounts on the purchase price of standards, both in single copy and subscription format, by becoming a **BSI Subscribing Member**.

PLUS is an updating service exclusive to BSI Subscribing Members. You will automatically receive the latest hard copy of your standards when they're revised or replaced.

To find out more about becoming a BSI Subscribing Member and the benefits of membership, please visit bsigroup.com/shop.

With a **Multi-User Network Licence (MUNL)** you are able to host standards publications on your intranet. Licences can cover as few or as many users as you wish. With updates supplied as soon as they're available, you can be sure your documentation is current. For further information, email bsmusales@bsigroup.com.

BSI Group Headquarters

389 Chiswick High Road London W4 4AL UK

Revisions

Our British Standards and other publications are updated by amendment or revision.

We continually improve the quality of our products and services to benefit your business. If you find an inaccuracy or ambiguity within a British Standard or other BSI publication please inform the Knowledge Centre.

Copyright

All the data, software and documentation set out in all British Standards and other BSI publications are the property of and copyrighted by BSI, or some person or entity that owns copyright in the information used (such as the international standardization bodies) and has formally licensed such information to BSI for commercial publication and use. Except as permitted under the Copyright, Designs and Patents Act 1988 no extract may be reproduced, stored in a retrieval system or transmitted in any form or by any means – electronic, photocopying, recording or otherwise – without prior written permission from BSI. Details and advice can be obtained from the Copyright & Licensing Department.

Useful Contacts:

Customer Services

Tel: +44 845 086 9001

Email (orders): orders@bsigroup.com

Email (enquiries): cservices@bsigroup.com

Subscriptions

Tel: +44 845 086 9001

Email: subscriptions@bsigroup.com

Knowledge Centre

Tel: +44 20 8996 7004

Email: knowledgecentre@bsigroup.com

Copyright & Licensing

Tel: +44 20 8996 7070

Email: copyright@bsigroup.com



...making excellence a habit.™