

BS ISO 22554:2015



BSI Standards Publication

Ships and marine technology — Propeller shaft revolution indicators — Electric type and electronic type

bsi.

...making excellence a habit.™

National foreword

This British Standard is the UK implementation of ISO 22554:2015. It supersedes BS ISO 22554:2007 which is withdrawn.

The UK participation in its preparation was entrusted to Technical Committee EPL/80, Maritime navigation and radiocommunication equipment and systems.

A list of organizations represented on this committee can be obtained on request to its secretary.

This publication does not purport to include all the necessary provisions of a contract. Users are responsible for its correct application.

© The British Standards Institution 2015.
Published by BSI Standards Limited 2015

ISBN 978 0 580 85851 2

ICS 47.020.70

Compliance with a British Standard cannot confer immunity from legal obligations.

This British Standard was published under the authority of the Standards Policy and Strategy Committee on 31 March 2015.

Amendments/corrigenda issued since publication

Date	Text affected
------	---------------

INTERNATIONAL
STANDARD

ISO
22554

Second edition
2015-03-15

**Ships and marine technology —
Propeller shaft revolution indicators
— Electric type and electronic type**

*Navires et technologie maritime — Indicateurs de vitesse d'arbre du
propulseur — Type électrique et type électronique*



Reference number
ISO 22554:2015(E)

© ISO 2015



COPYRIGHT PROTECTED DOCUMENT

© ISO 2015

All rights reserved. Unless otherwise specified, no part of this publication may be reproduced or utilized otherwise in any form or by any means, electronic or mechanical, including photocopying, or posting on the internet or an intranet, without prior written permission. Permission can be requested from either ISO at the address below or ISO's member body in the country of the requester.

ISO copyright office
Case postale 56 • CH-1211 Geneva 20
Tel. + 41 22 749 01 11
Fax + 41 22 749 09 47
E-mail copyright@iso.org
Web www.iso.org

Published in Switzerland

Contents

Page

Foreword	iv
1 Scope	1
2 Normative references	1
3 Terms and definitions	1
4 Construction of indicator system	2
4.1 Indicator system.....	2
4.2 Transmitters.....	3
4.3 Indicator.....	4
5 Performance requirements	5
5.1 General.....	5
5.2 Balance.....	5
5.3 Friction error.....	5
5.4 Calibration accuracy.....	5
5.5 Damping.....	5
5.6 Zero point.....	5
5.7 Output electric signal of a signal converter.....	6
5.8 Output electric signal accuracy of a signal converter.....	6
5.9 Power supply fluctuations.....	6
5.10 Insulation resistance and high voltage.....	6
6 Methods of testing and required test results	7
6.1 Test items and sequence.....	7
6.2 Construction.....	7
6.3 Environmental test.....	7
6.4 Balance test.....	7
6.5 Friction test.....	7
6.6 Calibration accuracy test.....	7
6.7 Damping test.....	7
6.8 Zero point test.....	8
6.9 Signal converter output electric signal test.....	8
6.10 Signal converter output electric signal accuracy test.....	8
6.11 Power supply fluctuation test.....	8
7 Interface	8
8 Marking	8
9 Information	8
Bibliography	9

Foreword

ISO (the International Organization for Standardization) is a worldwide federation of national standards bodies (ISO member bodies). The work of preparing International Standards is normally carried out through ISO technical committees. Each member body interested in a subject for which a technical committee has been established has the right to be represented on that committee. International organizations, governmental and non-governmental, in liaison with ISO, also take part in the work. ISO collaborates closely with the International Electrotechnical Commission (IEC) on all matters of electrotechnical standardization.

The procedures used to develop this document and those intended for its further maintenance are described in the ISO/IEC Directives, Part 1. In particular the different approval criteria needed for the different types of ISO documents should be noted. This document was drafted in accordance with the editorial rules of the ISO/IEC Directives, Part 2 (see www.iso.org/directives).

Attention is drawn to the possibility that some of the elements of this document may be the subject of patent rights. ISO shall not be held responsible for identifying any or all such patent rights. Details of any patent rights identified during the development of the document will be in the Introduction and/or on the ISO list of patent declarations received (see www.iso.org/patents).

Any trade name used in this document is information given for the convenience of users and does not constitute an endorsement.

For an explanation on the meaning of ISO specific terms and expressions related to conformity assessment, as well as information about ISO's adherence to the WTO principles in the Technical Barriers to Trade (TBT), see the following URL: Foreword — Supplementary information.

The committee responsible for this document is ISO/TC 8, *Ships and marine technology*, Subcommittee SC 6, *Navigation and ship operations*.

This second edition cancels and replaces the first edition (ISO 22554:2007), subclauses [5.2](#), [5.3](#), [5.4](#), and [5.6](#) of which have been technically revised.

Ships and marine technology — Propeller shaft revolution indicators — Electric type and electronic type

1 Scope

This International Standard specifies the construction, performance requirements, methods of testing, and required test results for electric and electronic propeller shaft revolution indicators (hereinafter referred to as “indicator system”) required by Clause 2.5.4, Regulation 19, chapter V, SOLAS 1974 (as amended, 2000).

This International Standard is associated with IMO Resolution A.694 (17) and IEC 60945.

Where a requirement in this International Standard differs from IEC 60945, the requirement in this International Standard takes precedence.

NOTE When this indicator system can be used as the tachometer for the engine of a ship, its usage as the tachometer will be accepted.

2 Normative references

The following documents, in whole or in part, are normatively referenced in this document and are indispensable for its application. For dated references, only the edition cited applies. For undated references, the latest edition of the referenced document (including any amendments) applies..

IEC 60945, *Maritime navigation and radiocommunication equipment and systems — General requirements — Methods of testing and required test results*

IEC 61162-1, *Maritime navigation and radiocommunication equipment and systems — Digital interfaces — Part 1: Single talker and multiple listeners*

IEC 61162-2, *Maritime navigation and radiocommunication equipment and systems — Digital interfaces — Part 2: Single talker and multiple listeners, high-speed transmission*

IEC 62288:2014, *Maritime navigation and radiocommunication equipment and systems — Presentation of navigation-related information on shipborne navigational displays — General requirements, methods of testing and required test results*

3 Terms and definitions

For the purposes of this document, the following terms and definitions apply.

3.1

propeller shaft revolution indicator

remote device capable of indicating the number of revolutions per minute only, or the number of revolutions per minute and the direction of the revolution of the shaft on which it is mounted

3.2

electric propeller shaft revolution indicator

electric type indicator that employs a generator driven by the propeller shaft through the driving unit that transmits the revolution speed (number of revolutions per minute) and direction of rotation of the propeller shaft

3.3
electronic propeller shaft revolution indicator

electronic type indicator that employs a revolution sensor that detects pulses generated by a gear turning the propeller shaft or a circular disc with a slit and transmits these pulses to a signal converter

3.4
indicator

means by which the state of the equipment or machinery is represented to an observer

Note 1 to entry: An indicator shows both the sense and magnitude of the information it presents. An indicator can be analog or digital.

3.5
analog type indicator

indicator that shows the revolution speed in a continuous way, such as by means of an arrow pointer and graduated scale

3.6
digital type indicator

indicator that shows the revolution speed in a discrete, alphanumeric way

3.7
calibration accuracy

difference between the true revolution speed of a propeller shaft and the revolution speed indicated by the indicator

3.8
damping efficiency

amount by which an indicator initially over-reads in response to a sudden signal input, as a percentage of the maximum reading

4 Construction of indicator system

4.1 Indicator system

4.1.1 An indicator system should show information on the state of the equipment or machinery to which it is connected at locations adjacent to, or remote from, the equipment or machinery. At the equipment or machinery, such systems will generally comprise a sensor and transmitter; at the observer's location, such systems will generally contain an indicator.

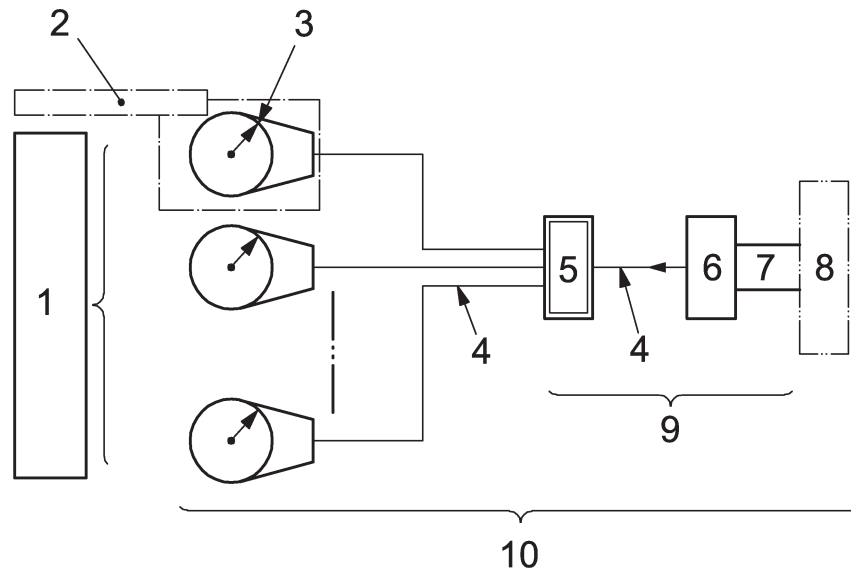
In general, the system construction shall comply with the following requirements.

4.1.2 The indicator system enclosures shall be robust and constructed so as to facilitate easy adjustment and maintenance.

4.1.3 The indicator system with instrument panel lights and the instrument panel light dimmers shall be equipped with a grounding terminal or shall be constructed so that an earth-grounding is securely established. In the electronic type case, however, these requirements shall also be applied to the signal converters.

4.1.4 The indicator system may be self-contained or it may form part of, or derive information from, any other appropriate equipment.

4.1.5 An analog type indicator may be used as indicator(s) of the indicator system. It may be additionally provided by a digital type if fitted.



Key

- 1 indicators
- 2 indicator
- 3 arrow pointer
- 4 electric cable
- 5 junction box (as appropriate)/signal converter
- 6 transmitter
- 7 driving unit/revolution sensor
- 8 revolution mechanism
- 9 transmitters (term used in the broad sense, including the functions of signal pickup and transmission)
- 10 indicator system

Figure 1 — Construction of an indicator system

4.2 Transmitters

4.2.1 General

The indicator system shall fulfil the following individual structural requirements.

4.2.2 Electric type

4.2.2.1 Driving unit

Driving units shall comply with the following requirements. However, an indicator directly connected to a camshaft or another part of the main machine shall not be equipped with a driving unit.

- a) The driving unit shall be constructed so that the revolution of a propeller shaft is conveyed to the transmitter smoothly and without slippage.
- b) Recommendations call for providing the driving unit with a clutch system so that transmitter can be suspended and driven at any time while the propeller shaft is spinning.
- c) A gear mechanism is recommended for imparting drive force from the propeller shaft system.
- d) The drive gear should permit secure, easy mounting on the revolution parts of the propeller shaft.

- e) Where the transmitter drive includes pivot connections, such connections shall be designed to resist loosening when subject to vibration.

4.2.2.2 Transmitter

The transmitter shall comply with the following requirements.

- a) Driven by the propeller shaft via the conductor, the transmitter employs an electric generator that transmits the revolution speed (number of revolutions per minute) and direction of propeller shaft rotation.
- b) The transmitter shall have sufficient capacity to simultaneously drive all connected indicator(s). Also, additional capacity shall be taken into consideration if the transmitter provides output to automation and measurement devices. The manufacturer should specify the capacity of connected indicators.

4.2.2.3 Junction box

Junction boxes shall be capable of being connected to the required number of indicators. Junction boxes shall be equipped with a compensating device to prevent indicator errors, regardless of the number of indicators.

4.2.3 Electronic type

4.2.3.1 Revolution sensor

Revolution sensors shall be constructed so as to correctly detect pulses generated by a propeller shaft's turning gear or circular disc with slit.

4.2.3.2 Signal converter

Signal converters shall be constructed so that each can convert pulses from the propeller shaft into electric signals for output.

4.3 Indicator

4.3.1 The indicator may consist of a receiving portion and indication portion. A receiving portion is electrically connected with a transmitter and indication portion is so constructed that it indicates the direction of the rotation and the number of revolutions per minute of a propeller shaft.

The direction "Ahead" shall be such as identified by the "plus" sign or by the letters "AH" or "AHEAD", while "Astern" shall be identified by the "minus" sign or by the letters "AS" or "ASTERN".

4.3.2 The letters and graduations on a dial shall be such that the direction of ahead and astern can be clearly distinguished.

4.3.3 The clockwise direction of a revolution speed panel shall indicate the forward movement of a ship. It is recommended that the maximum scale value for both forward and backward movements be set to one of 100, 125, 150, 200, 250, 300, 400, or 450 min⁻¹ (rev/min). Additional linear range scales may be provided.

4.3.4 The calibration of zero point of an indicator and its indication shall be capable of being adjusted by appropriate measures.

4.3.5 An indicator shall be constructed so that it can be read easily and clearly.

4.3.6 All illumination and lighting of an indicator shall be adjustable down to zero, except the control of the dimmers which shall remain readable.

4.3.7 The illumination and lighting of an indicator shall be arranged in order not to hinder an operator's vision at night and in order to make the scale, pointer, and letters as equally visible as possible even in dim light or the dark.

4.3.8 The digital indications of propeller shaft revolution indicators on shipborne navigational displays shall be in compliance with IEC 62288:2014.

5 Performance requirements

5.1 General

Any transmitter shall have the capacity to satisfy the requirements of this clause when all connected indicators are operating simultaneously.

5.2 Balance

When an indicator without current rotates to either side by 30° from its upright position, the deviation of a pointer from its zero point shall be within $\pm 1^\circ$ of the combined maximum scale values ahead and astern for an indicator with a visible diameter of greater than or equal to 150 mm; and $\pm 2\%$ for an indicator with a visible diameter of less than 150 mm.

5.3 Friction error

When the power at the electric signal equivalent to the number of revolutions of an indicator is applied to the indicator, to allow the pointer to gradually move forward and backward to the maximum scales to find calibration accuracy at points of 0 %, 25 %, 75 %, and 100 % of the maximum scale value, respectively, the difference between the indication of forward and backward movement shall be within $\pm 0,5\%$ of the combined maximum scale values for ahead and astern movement for an indicator with visible diameter of greater than or equal to 150 mm; and $\pm 1,0\%$ for an indicator with visible diameter of less than 150 mm.

5.4 Calibration accuracy

When a revolution sensor and a signal converter are operated using an approved testing machine to determine calibration accuracy at points of 0 %, 25 %, 75 %, and 100 % of the maximum scale value of an indicator respectively, the margin of error with respect to the approved testing machine shall be within $\pm 0,5\%$ of the combined maximum scale values ahead and astern for an indicator with visible diameter of greater than or equal to 150 mm; and $\pm 1,0\%$ for an indicator with visible diameter of less than 150 mm (using 20 °C as the reference temperature).

5.5 Damping

When a test electric signal equivalent to half of the maximum scale value is suddenly applied to an indicator, the movements of the indicator pointer shall not show a value exceeding two-thirds of the maximum value.

5.6 Zero point

When an electric signal equivalent to an indicator's maximum scale value is applied to an indicator for 30 min, after which power is turned off and the zero position error is immediately corrected by eliminating friction from the moving parts by gently patting the outer casing, any zero point error shall be within $\pm 0,25\%$ of the combined maximum scale values ahead and astern for an indication portion with visible diameter of greater than or equal to 150 mm; and $\pm 0,5\%$ for an indication portion with a visible diameter of less than 150 mm.

5.7 Output electric signal of a signal converter

The output electric signal equivalent to the maximum scale value of indicator(s) shall be sufficient to simultaneously operate all connected indicator(s).

5.8 Output electric signal accuracy of a signal converter

5.8.1 General

The accuracy of an output electric signal shall comply with the following requirements.

5.8.2 Accuracy

The accuracy of an output electric signal shall be indicated by a ratio of the output electric signal equivalent to the maximum scale value. This ratio shall not exceed 0,2 %.

5.8.3 Response speed

When the input pulse of a signal converter is suddenly shifted from the number of pulses per second equivalent to maximum revolution speed, the output electric signal shall reach its maximum equivalent to maximum revolution speed within 1 s.

5.9 Power supply fluctuations

5.9.1 The performance requirements specified under [5.4](#), [5.7](#), and [5.8](#) shall be met when the power supply fluctuations specified [5.9](#) are applied.

5.9.2 After repeated makings and breakings, the designated performance shall be demonstrated without carrying out manual adjustments.

5.9.3 When the rated voltage and frequency are subjected to the combinations of fluctuations specified in [Table 1](#), the designated performance shall be demonstrated.

Table 1 — Fluctuation rate of the rated voltage and frequency

Settled condition	Voltage fluctuation	±10 %	Fluctuating period: 600 s
	Frequency fluctuation	±5 %	
Transient condition	Voltage fluctuation	±20 %	Fluctuating period: 3 s
	Frequency fluctuation	±10 %	

5.9.4 In the case of a battery powered indicator, its design performance shall be demonstrated when the rate voltage fluctuates within the range of ±20 %.

5.10 Insulation resistance and high voltage

When insulation resistance and high voltage tests are to be carried out, IEC 60092-504 may be applied.

6 Methods of testing and required test results

6.1 Test items and sequence

The tests on indicator system are carried out using the same unit with regard to the following items and in the following sequence:

- a) construction;
- b) balance test;
- c) friction test;
- d) calibration accuracy test;
- e) damping test;
- f) zero point test;
- g) signal converter output electric signal test (excluding electric type);
- h) signal converter output electric signal accuracy test (excluding electric type);
- i) power supply fluctuation test.

Tests c) to f) shall be performed on an appropriately mounted indicator.

6.2 Construction

The construction of the indicator system shall comply with the requirements specified in [Clause 4](#).

6.3 Environmental test

Unless otherwise stated in this International Standard, all the tests shall be carried out according to the requirement of IEC 60945. The manufacturer shall determine which components of the indicator system will be protected or exposed, as defined in IEC 60945.

6.4 Balance test

The balance test shall be carried out in accordance with [5.2](#) and shall satisfy the requirements specified therein.

6.5 Friction test

The friction test shall be carried out in accordance with [5.3](#) and shall satisfy the requirements specified therein.

6.6 Calibration accuracy test

The calibration accuracy test shall be carried out in accordance with [5.4](#) and shall satisfy the requirements specified therein.

6.7 Damping test

The damping test shall be carried out in accordance with [5.5](#) and shall satisfy the requirements specified therein.

6.8 Zero point test

The zero point test shall be carried out in accordance with [5.6](#) and shall satisfy the requirements specified therein.

6.9 Signal converter output electric signal test

The output electric signal test on a signal converter shall be carried out in accordance with [5.7](#) and shall satisfy the requirements specified therein.

6.10 Signal converter output electric signal accuracy test

The signal converter output electric signal accuracy test shall be carried out in accordance with [5.8](#) and shall satisfy the requirements specified therein.

6.11 Power supply fluctuation test

The power supply fluctuation test shall be carried out in accordance with [5.9](#) and shall satisfy the requirements specified therein.

7 Interface

When the indicator system provides interface facilities, they shall meet the requirements of the appropriate international marine interface standards IEC 61162-1 and IEC 61162-2.

8 Marking

8.1 Each unit of an indication system shall be marked with the following:

- identification of the manufacturer;
- equipment type number or model identification number under which it was type tested;
- serial number of the unit;
- revolution speed, voltage, and current of a generator (excepting electronic type systems).

8.2 The voltage, current, and rotational speed (number of revolutions per minute) of its generator shall signify the maximum scale of a system's indicator.

8.3 Each unit shall be marked with the minimum safe distance from a magnetic compass at which it may be mounted (for bridge installation). The safe distance shall be measured in accordance with IEC 60945.

9 Information

The manufacturer shall provide adequate equipment documentation to enable competent members of a ship's crew to operate and maintain the equipment efficiently.

Bibliography

- [1] ISO 8468, *Ships and marine technology — Ship's bridge layout and associated equipment — Requirements and guidelines*
- [2] IEC 60092-504, *Electrical installations in ships — Part 504: Special features — Control and instrumentation*
- [3] *International Convention for the Safety of Life at Sea (SOLAS)*, 1974 (amended)
- [4] IMO Resolution A.694 (17), *General requirements for shipborne radio equipment forming part of the global maritime distress and safety system (GMDSS) and for electronic navigational aids*

British Standards Institution (BSI)

BSI is the national body responsible for preparing British Standards and other standards-related publications, information and services.

BSI is incorporated by Royal Charter. British Standards and other standardization products are published by BSI Standards Limited.

About us

We bring together business, industry, government, consumers, innovators and others to shape their combined experience and expertise into standards-based solutions.

The knowledge embodied in our standards has been carefully assembled in a dependable format and refined through our open consultation process. Organizations of all sizes and across all sectors choose standards to help them achieve their goals.

Information on standards

We can provide you with the knowledge that your organization needs to succeed. Find out more about British Standards by visiting our website at bsigroup.com/standards or contacting our Customer Services team or Knowledge Centre.

Buying standards

You can buy and download PDF versions of BSI publications, including British and adopted European and international standards, through our website at bsigroup.com/shop, where hard copies can also be purchased.

If you need international and foreign standards from other Standards Development Organizations, hard copies can be ordered from our Customer Services team.

Subscriptions

Our range of subscription services are designed to make using standards easier for you. For further information on our subscription products go to bsigroup.com/subscriptions.

With **British Standards Online (BSOL)** you'll have instant access to over 55,000 British and adopted European and international standards from your desktop. It's available 24/7 and is refreshed daily so you'll always be up to date.

You can keep in touch with standards developments and receive substantial discounts on the purchase price of standards, both in single copy and subscription format, by becoming a **BSI Subscribing Member**.

PLUS is an updating service exclusive to BSI Subscribing Members. You will automatically receive the latest hard copy of your standards when they're revised or replaced.

To find out more about becoming a BSI Subscribing Member and the benefits of membership, please visit bsigroup.com/shop.

With a **Multi-User Network Licence (MUNL)** you are able to host standards publications on your intranet. Licences can cover as few or as many users as you wish. With updates supplied as soon as they're available, you can be sure your documentation is current. For further information, email bsmusales@bsigroup.com.

BSI Group Headquarters

389 Chiswick High Road London W4 4AL UK

Revisions

Our British Standards and other publications are updated by amendment or revision.

We continually improve the quality of our products and services to benefit your business. If you find an inaccuracy or ambiguity within a British Standard or other BSI publication please inform the Knowledge Centre.

Copyright

All the data, software and documentation set out in all British Standards and other BSI publications are the property of and copyrighted by BSI, or some person or entity that owns copyright in the information used (such as the international standardization bodies) and has formally licensed such information to BSI for commercial publication and use. Except as permitted under the Copyright, Designs and Patents Act 1988 no extract may be reproduced, stored in a retrieval system or transmitted in any form or by any means – electronic, photocopying, recording or otherwise – without prior written permission from BSI. Details and advice can be obtained from the Copyright & Licensing Department.

Useful Contacts:

Customer Services

Tel: +44 845 086 9001

Email (orders): orders@bsigroup.com

Email (enquiries): cservices@bsigroup.com

Subscriptions

Tel: +44 845 086 9001

Email: subscriptions@bsigroup.com

Knowledge Centre

Tel: +44 20 8996 7004

Email: knowledgecentre@bsigroup.com

Copyright & Licensing

Tel: +44 20 8996 7070

Email: copyright@bsigroup.com



...making excellence a habit.™