

BS ISO 21751:2011



BSI Standards Publication

Plastics pipes and fittings — Decohesion test of electrofusion assemblies — Strip-bend test

bsi.

...making excellence a habit.™

National foreword

This British Standard is the UK implementation of ISO 21751:2011.

The UK participation in its preparation was entrusted to Technical Committee PRI/88/4, Test Methods - Plastic Piping.

A list of organizations represented on this committee can be obtained on request to its secretary.

This publication does not purport to include all the necessary provisions of a contract. Users are responsible for its correct application.

© BSI 2011

ISBN 978 0 580 62582 4

ICS 23.040.20; 23.040.45

Compliance with a British Standard cannot confer immunity from legal obligations.

This British Standard was published under the authority of the Standards Policy and Strategy Committee on 30 April 2011.

Amendments issued since publication

Date	Text affected
------	---------------

**Plastics pipes and fittings — Decohesion
test of electrofusion assemblies — Strip-
bend test**

*Tubes et raccords en matières plastiques — Essai de décohésion des
assemblages électrosoudables — Essai de pliage d'une languette*



PDF disclaimer

This PDF file may contain embedded typefaces. In accordance with Adobe's licensing policy, this file may be printed or viewed but shall not be edited unless the typefaces which are embedded are licensed to and installed on the computer performing the editing. In downloading this file, parties accept therein the responsibility of not infringing Adobe's licensing policy. The ISO Central Secretariat accepts no liability in this area.

Adobe is a trademark of Adobe Systems Incorporated.

Details of the software products used to create this PDF file can be found in the General Info relative to the file; the PDF-creation parameters were optimized for printing. Every care has been taken to ensure that the file is suitable for use by ISO member bodies. In the unlikely event that a problem relating to it is found, please inform the Central Secretariat at the address given below.



COPYRIGHT PROTECTED DOCUMENT

© ISO 2011

All rights reserved. Unless otherwise specified, no part of this publication may be reproduced or utilized in any form or by any means, electronic or mechanical, including photocopying and microfilm, without permission in writing from either ISO at the address below or ISO's member body in the country of the requester.

ISO copyright office
Case postale 56 • CH-1211 Geneva 20
Tel. + 41 22 749 01 11
Fax + 41 22 749 09 47
E-mail copyright@iso.org
Web www.iso.org

Published in Switzerland

Foreword

ISO (the International Organization for Standardization) is a worldwide federation of national standards bodies (ISO member bodies). The work of preparing International Standards is normally carried out through ISO technical committees. Each member body interested in a subject for which a technical committee has been established has the right to be represented on that committee. International organizations, governmental and non-governmental, in liaison with ISO, also take part in the work. ISO collaborates closely with the International Electrotechnical Commission (IEC) on all matters of electrotechnical standardization.

International Standards are drafted in accordance with the rules given in the ISO/IEC Directives, Part 2.

The main task of technical committees is to prepare International Standards. Draft International Standards adopted by the technical committees are circulated to the member bodies for voting. Publication as an International Standard requires approval by at least 75 % of the member bodies casting a vote.

Attention is drawn to the possibility that some of the elements of this document may be the subject of patent rights. ISO shall not be held responsible for identifying any or all such patent rights.

ISO 21751 was prepared by Technical Committee ISO/TC 138, *Plastics pipes, fittings and valves for the transport of fluids*, Subcommittee SC 5, *General properties of pipes, fittings and valves of plastic materials and their accessories — Test methods and basic specifications*.

Plastics pipes and fittings — Decohesion test of electrofusion assemblies — Strip-bend test

1 Scope

This International Standard specifies a strip-bend test method for the evaluation of ductility of the fusion joint interface of assemblies of pipe and electrofusion fittings and saddle fittings intended for the conveyance of fluids.

It is applicable to polyolefin assemblies.

NOTE The aim of the strip-bend test method is to provide a quick check in order to have an indication of the ductility of the electrofusion interface.

2 Normative references

The following referenced documents are indispensable for the application of this document. For dated references, only the edition cited applies. For undated references, the latest edition of the referenced document (including any amendments) applies.

ISO 11413, *Plastics pipes and fittings — Preparation of test piece assemblies between a polyethylene (PE) pipe and an electrofusion fitting*

3 Symbols

s width of test strip

l length of brittle fracture

L_d brittle failure, expressed as a percentage

y length of fusion zone at location of brittle fracture

4 Principle

The purpose of the test is to check the failure behaviour of an electrofusion assembly by examination of the fusion interface of a strip test piece, which is bent manually using an appropriate tool. The test is conducted at $(23 \pm 2) ^\circ\text{C}$.

The ductility of the fusion joint interface of the assembly is characterized by the type of failure in the fusion zone and by the percentage of fusion area in which there is a lack of cohesion.

NOTE It is assumed that the required number of test pieces (see 6.2) is set by the standard or specification making reference to this International Standard.

5 Apparatus

The apparatus shall include the following main parts.

5.1 Band-saw or equivalent tool, for preparation of the test pieces.

5.2 Bench vice, with sufficient width to clamp the total length of the fusion zone under test; clamps undamaged.

5.3 Pliers, with clamp width 10 mm for nominal pipe diameters up to and including 75 mm and clamp width 25 mm for nominal pipe diameters greater than 75 mm; clamps undamaged.

6 Test piece

6.1 Preparation of test pieces

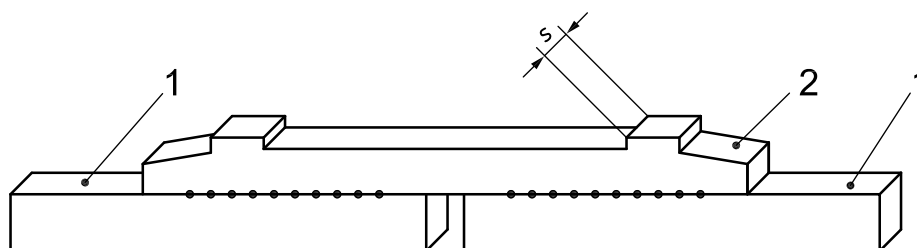
Pipes and fittings shall be jointed according to the manufacturer's instructions and under conditions given in the product standard. For polyethylene (PE) assemblies, the conditions for electrofusion shall be as specified in ISO 11413.

The minimum pipe lengths shall be 250 mm or two times the pipe diameter, whichever is the greater. The pipe ends shall be cut back after fusion to achieve at least 25 mm projection from the edge of the electrofusion fitting.

For socket assemblies, cut at least four strips for nominal pipe diameters up to and including 75 mm or at least eight strips for nominal pipe diameters greater than 75 mm from each socket, along the longitudinal axis of the assembly and equally spaced around the circumference, with a width $s = (2,5 \pm 0,5)$ mm for nominal pipe diameters up to and including 75 mm or $s = (4 \frac{+2}{-1})$ mm for nominal pipe diameters greater than 75 mm. See Figure 1. The length equals the complete length of the assembly. The strips shall include the position of maximum gap between the fitting and the pipe, identified by visual examination prior to sectioning.

For saddles, at least four strips shall be taken from planes through the branch axis or axis of the tapping unit, of which one strip shall belong to the main pipe axis and one strip shall be perpendicular to the main pipe axis. The other strips shall be taken at 45° of the aforementioned strip positions. The width s of the strips shall be $s = (2,5 \pm 0,5)$ mm for nominal main pipe diameters up to and including 75 mm or $s = (4 \frac{+2}{-1})$ mm for nominal main pipe diameters greater than 75 mm.

In case of fittings with fusion lengths greater than or equal to 50 mm, the length of the fusion zone may be segmented into sections of maximum 25 mm, starting from the ends of the fusion zone. These sections may be obtained by introducing slits in the fitting part of the strips.



Key

- 1 pipe
- 2 fitting

Figure 1 — Preparation of strips from an electrofusion socket assembly

6.2 Number of test pieces

Unless otherwise specified by the referring standard or specification, the number of test pieces shall be three.

7 Conditioning

Between the fusion and the machining operations, the assembly shall be conditioned for at least 4 h at ambient temperature. Polybutylene (PB) assemblies shall be conditioned according to the recommendations of the manufacturer.

After preparation of the strips from the assembly, the strips shall be conditioned at the test temperature of (23 ± 2) °C for at least 1 h.

8 Procedure

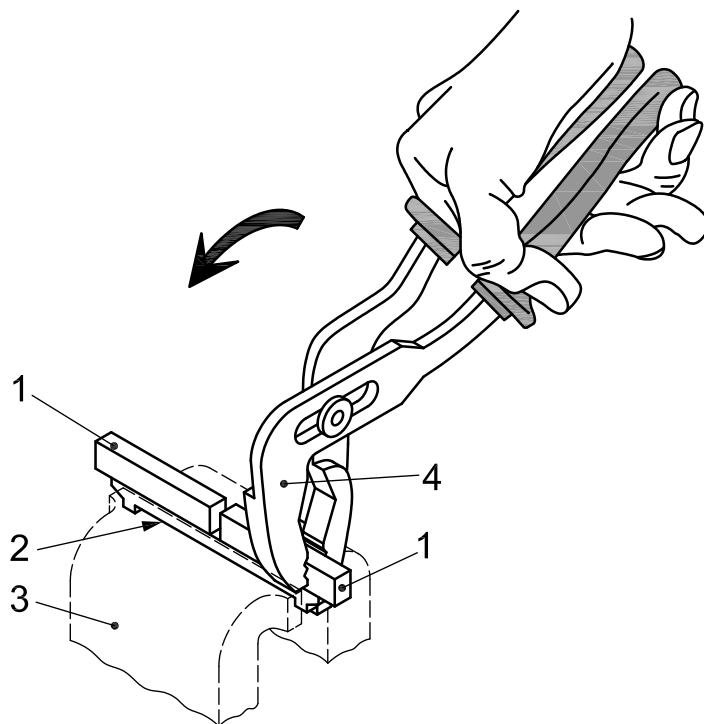
For each strip, carry out the following procedure at (23 ± 2) °C. (See Figure 2 for a schematic representation of the test setup.)

- a) Clamp the fitting part of the strip into the bench vice just below the level of the electrical wires. The bench vice shall be tightened manually.
- b) Clamp the pipe into the pliers. If the width of clamps does not cover the complete fusion zone, start from one end of the fusion zone. If adjustable pliers are used, the tightening force shall be set such that slippage of the test piece in the pliers is prevented.
- c) Move the pliers smoothly in 2 s to 3 s over an angle of about 90° (or until contact between the vice and the pliers) in one direction, then back to the original position. Continue over about 90° in the other direction, then back again to the original position. Reposition the pliers on the pipe at a distance that corresponds to the width of the plier jaws and repeat the operation until the other end of the fusion zone is reached.
- d) Report the position and type of break (brittle or ductile).

NOTE Typical failure patterns are characterized in Figures 3, 4, 5 and 6;

- e) Measure and record the largest length of brittle fracture (l) and the total length of the fusion zone at the same location (y).
- f) Calculate the percentage of brittle failure, L_d , using the following equation: $L_d = \frac{l}{y} \times 100$ (%).

NOTE See Annex A for recommended value of L_d .



Key

- 1 pipe
- 2 fitting
- 3 bench vice
- 4 pliers

Figure 2 — Positioning of strip

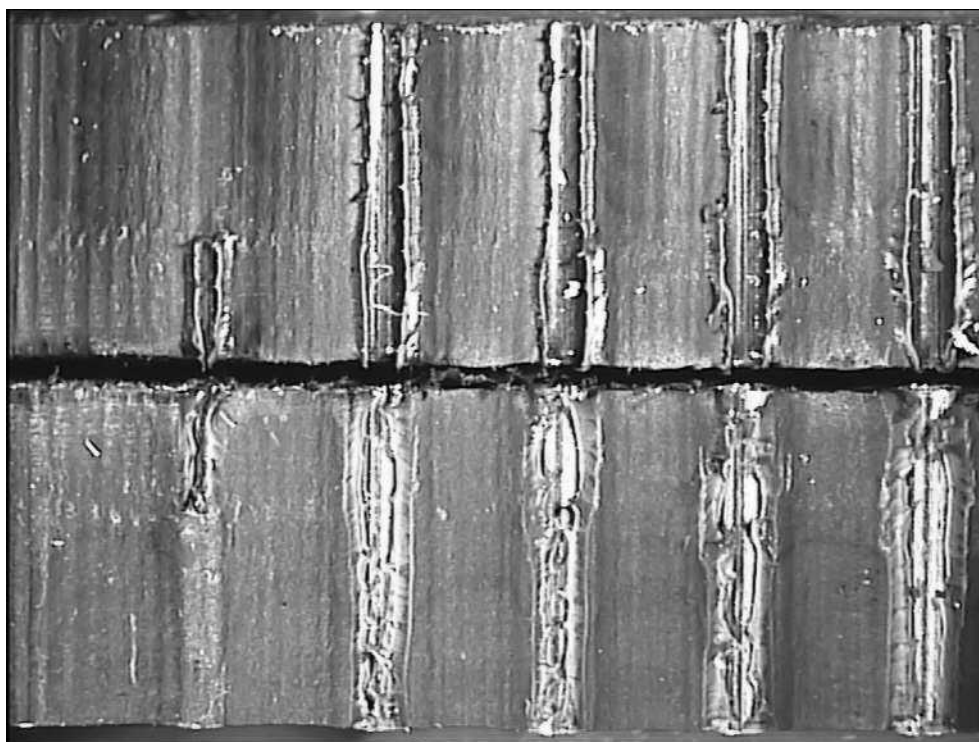


Figure 3 — Typical brittle fracture – view on fracture surface

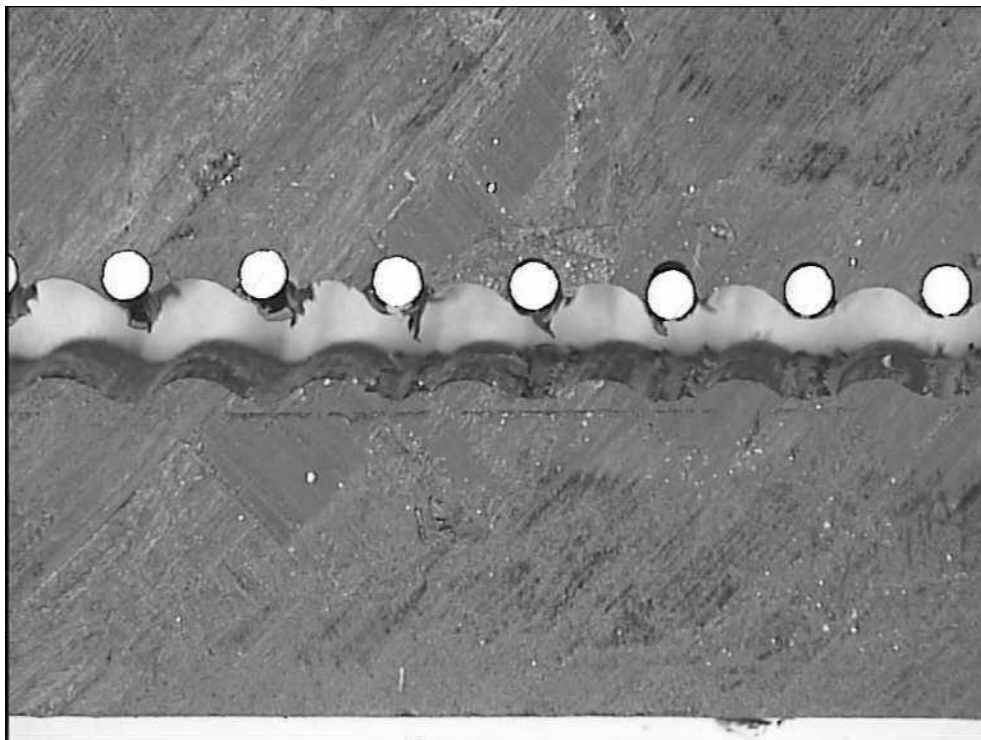


Figure 4 — Typical brittle fracture – side view



Figure 5 — Typical ductile fracture between wires – view on fracture surface

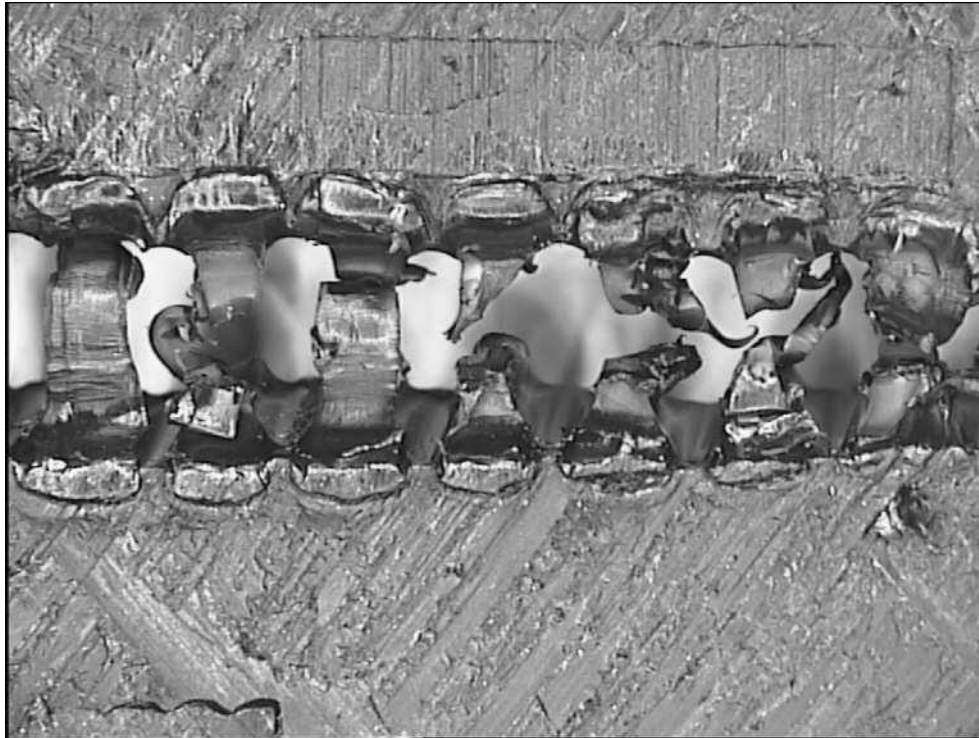


Figure 6 — Typical ductile fracture between wires – side view

9 Test report

The test report shall include the following information:

- a) reference to this International Standard;
- b) identification of each of the components of the assembly;
- c) nominal size of the fitting;
- d) fusion conditions used when preparing the assemblies;
- e) test temperature;
- f) clamping width of plier jaws;
- g) number of test pieces;
- h) number of strips per test piece;
- i) number of sections and section lengths, if applicable;
- j) type of failure, if any, with reference to the section in which it occurs;
- k) percentage of brittle failure, L_d , calculated in accordance with Clause 8 f);
- l) any special observations made during or after the test;
- m) any factors which could have affected the results, such as any incidents or any operational details not specified in this International Standard;
- n) identification of the test laboratory;
- o) date of the test.

Annex A
(informative)

Recommended value for brittle failure

The percentage of brittle failure, L_d , should be lower than or equal to 33 % for all test pieces.

British Standards Institution (BSI)

BSI is the national body responsible for preparing British Standards and other standards-related publications, information and services.

BSI is incorporated by Royal Charter. British Standards and other standardization products are published by BSI Standards Limited.

About us

We bring together business, industry, government, consumers, innovators and others to shape their combined experience and expertise into standards-based solutions.

The knowledge embodied in our standards has been carefully assembled in a dependable format and refined through our open consultation process. Organizations of all sizes and across all sectors choose standards to help them achieve their goals.

Information on standards

We can provide you with the knowledge that your organization needs to succeed. Find out more about British Standards by visiting our website at bsigroup.com/standards or contacting our Customer Services team or Knowledge Centre.

Buying standards

You can buy and download PDF versions of BSI publications, including British and adopted European and international standards, through our website at bsigroup.com/shop, where hard copies can also be purchased.

If you need international and foreign standards from other Standards Development Organizations, hard copies can be ordered from our Customer Services team.

Subscriptions

Our range of subscription services are designed to make using standards easier for you. For further information on our subscription products go to bsigroup.com/subscriptions.

With **British Standards Online (BSOL)** you'll have instant access to over 55,000 British and adopted European and international standards from your desktop. It's available 24/7 and is refreshed daily so you'll always be up to date.

You can keep in touch with standards developments and receive substantial discounts on the purchase price of standards, both in single copy and subscription format, by becoming a **BSI Subscribing Member**.

PLUS is an updating service exclusive to BSI Subscribing Members. You will automatically receive the latest hard copy of your standards when they're revised or replaced.

To find out more about becoming a BSI Subscribing Member and the benefits of membership, please visit bsigroup.com/shop.

With a **Multi-User Network Licence (MUNL)** you are able to host standards publications on your intranet. Licences can cover as few or as many users as you wish. With updates supplied as soon as they're available, you can be sure your documentation is current. For further information, email bsmusales@bsigroup.com.

BSI Group Headquarters

389 Chiswick High Road London W4 4AL UK

Revisions

Our British Standards and other publications are updated by amendment or revision.

We continually improve the quality of our products and services to benefit your business. If you find an inaccuracy or ambiguity within a British Standard or other BSI publication please inform the Knowledge Centre.

Copyright

All the data, software and documentation set out in all British Standards and other BSI publications are the property of and copyrighted by BSI, or some person or entity that owns copyright in the information used (such as the international standardization bodies) and has formally licensed such information to BSI for commercial publication and use. Except as permitted under the Copyright, Designs and Patents Act 1988 no extract may be reproduced, stored in a retrieval system or transmitted in any form or by any means – electronic, photocopying, recording or otherwise – without prior written permission from BSI. Details and advice can be obtained from the Copyright & Licensing Department.

Useful Contacts:

Customer Services

Tel: +44 845 086 9001

Email (orders): orders@bsigroup.com

Email (enquiries): cservices@bsigroup.com

Subscriptions

Tel: +44 845 086 9001

Email: subscriptions@bsigroup.com

Knowledge Centre

Tel: +44 20 8996 7004

Email: knowledgecentre@bsigroup.com

Copyright & Licensing

Tel: +44 20 8996 7070

Email: copyright@bsigroup.com



...making excellence a habit.™