

BS ISO 21573-1:2014



BSI Standards Publication

Building construction machinery and equipment — Concrete pumps

Part 1: Terminology and commercial
specifications

bsi.

...making excellence a habit.™

National foreword

This British Standard is the UK implementation of ISO 21573-1:2014.

The UK participation in its preparation was entrusted to Technical Committee B/513, Construction equipment and plant and site safety.

A list of organizations represented on this committee can be obtained on request to its secretary.

This publication does not purport to include all the necessary provisions of a contract. Users are responsible for its correct application.

© The British Standards Institution 2014. Published by BSI Standards Limited 2014

ISBN 978 0 580 86198 7

ICS 91.220

Compliance with a British Standard cannot confer immunity from legal obligations.

This British Standard was published under the authority of the Standards Policy and Strategy Committee on 31 August 2014.

Amendments issued since publication

Date	Text affected
------	---------------

**Building construction machinery and
equipment — Concrete pumps —**

Part 1:
**Terminology and commercial
specifications**

*Machines et matériels pour la construction des bâtiments — Pompes
à béton —*

Partie 1: Terminologie et spécifications commerciales





COPYRIGHT PROTECTED DOCUMENT

© ISO 2014

All rights reserved. Unless otherwise specified, no part of this publication may be reproduced or utilized otherwise in any form or by any means, electronic or mechanical, including photocopying, or posting on the internet or an intranet, without prior written permission. Permission can be requested from either ISO at the address below or ISO's member body in the country of the requester.

ISO copyright office
Case postale 56 • CH-1211 Geneva 20
Tel. + 41 22 749 01 11
Fax + 41 22 749 09 47
E-mail copyright@iso.org
Web www.iso.org

Published in Switzerland

Contents

Page

Foreword	iv
Introduction	v
1 Scope	1
2 Normative references	1
3 Terms and definitions	1
4 Classification of the concrete pumps	2
5 Commercial specifications	3
5.1 General characteristics.....	3
5.2 Applicable concrete.....	4
5.3 Drive.....	4
5.4 Dimensional characteristics.....	4
5.5 Conveying-pipe cleaning device.....	5
5.6 Chassis cleaning device.....	5
5.7 Distributing boom.....	5
5.8 Outrigger component.....	5
5.9 Hydraulic system.....	6
5.10 Truck chassis.....	6
5.11 Trailer chassis.....	6
5.12 Attachments and tools.....	7
Annex A (informative) Examples of concrete pump designs and their assemblies	8

Foreword

ISO (the International Organization for Standardization) is a worldwide federation of national standards bodies (ISO member bodies). The work of preparing International Standards is normally carried out through ISO technical committees. Each member body interested in a subject for which a technical committee has been established has the right to be represented on that committee. International organizations, governmental and non-governmental, in liaison with ISO, also take part in the work. ISO collaborates closely with the International Electrotechnical Commission (IEC) on all matters of electrotechnical standardization.

The procedures used to develop this document and those intended for its further maintenance are described in the ISO/IEC Directives, Part 1. In particular the different approval criteria needed for the different types of ISO documents should be noted. This document was drafted in accordance with the editorial rules of the ISO/IEC Directives, Part 2. www.iso.org/directives

Attention is drawn to the possibility that some of the elements of this document may be the subject of patent rights. ISO shall not be held responsible for identifying any or all such patent rights. Details of any patent rights identified during the development of the document will be in the Introduction and/or on the ISO list of patent declarations received. www.iso.org/patents

Any trade name used in this document is information given for the convenience of users and does not constitute an endorsement.

For an explanation on the meaning of ISO specific terms and expressions related to conformity assessment, as well as information about ISO's adherence to the WTO principles in the Technical Barriers to Trade (TBT) see the following URL: [Foreword - Supplementary information](#)

The committee responsible for this document is Technical Committee ISO/TC 195, *Building construction machinery and equipment*, Subcommittee SC 1, *Machinery and equipment for concrete work*.

This second edition cancels and replaces the first edition (ISO 21573-1:2006), of which it constitutes a minor revision. The main changes are:

- editorial correction of numbering of table/figure references;
- addition of electric motor as drive power for concrete pump;
- editorial corrections in figures to clarify part names and callout.

ISO 21573 consists of the following parts, under the general title *Building construction machinery and equipment — Concrete pumps*:

- *Part 1: Terminology and commercial specifications*
- *Part 2: Procedure for examination of technical parameters*

Introduction

This part of ISO 21573 deals with concrete pumps used on building sites for concrete-mix delivery. It provides definitions and technical characteristics of the relevant machines. The figures in [Annex A](#) give examples of current structures of concrete pumps and their principles of operation.

Building construction machinery and equipment — Concrete pumps —

Part 1: Terminology and commercial specifications

1 Scope

This part of ISO 21573 establishes terminology and commercial-literature specifications for concrete pumps which are used on building sites for concrete-mix delivery.

2 Normative references

The following referenced documents are indispensable for the application of this document. For dated references, only the edition cited applies. For undated references, the latest edition of the referenced document (including any amendments) applies.

ISO 11375:1998, *Building construction machinery and equipment — Terms and definitions*

3 Terms and definitions

For the purposes of this document, the terms and definitions given in ISO 11375 and the following apply.

3.1

piston-type concrete pump

pump in which a piston is used to impart energy to the concrete mix, with the intent of transporting the mix to and through the conveying pipe and/or hose

Note 1 to entry: See [Figure A.1](#).

3.2

rotary-type concrete pump

pump in which a peristaltic action is used to impart energy to the concrete mix with the intent of transporting the mix to and through the conveying pipe and/or hose

Note 1 to entry: See [Figures A.6, A.7, A.8](#) and [A.9](#).

3.3

stationary-type concrete pump

skid, rail or wheeled-chassis mounted concrete pump intended for long-term operation on one building site

Note 1 to entry: See [Figure A.13](#).

3.4

piston-type concrete pump valve system

system composed of cut-off valves successively locking and opening concrete mix flow from the hopper to the concrete cylinder and from the latter to the conveying pipe

Note 1 to entry: See [Figures A.2, A.3, A.4](#) and [A.5](#).

Note 2 to entry: The operation of the valves is synchronised so that, when the concrete-mix flow from the hopper to the concrete cylinder is opened, the flow to the conveying pipe is closed. Various types of valve systems are identified.

3.5 distributing boom

folded boom with fixed concrete mix conveying pipe the role of which is to deliver concrete mix to work areas within its reach

Note 1 to entry: See [Figures A.10](#) and [A.14](#).

Note 2 to entry: The boom has the possibility of folding in the vertical plane and slewing around the vertical axis. Typically, a rubber hose is fixed to the end of the conveying pipe, to facilitate concrete-mix distribution.

3.6 maximum applicable aggregate size

largest size of aggregate that can be consistently delivered through the concrete pump without blockage, including any conveying pipe that is normally supplied on the finished product

3.7 minimum applicable slump

minimum value of slump applicable for conveying by concrete pump

3.8 maximum theoretical pumping capacity

theoretical delivery volume which is obtained at the maximum strokes/revolutions per minute of concrete pump

Note 1 to entry: The actual delivery volume is calculated through application of the volumetric efficiency and the theoretical delivery volume of the concrete pump. Using concrete of slump value of 18 cm to 21 cm, the volumetric efficiency is about 90 %.

$$Q_{th} = \left(\pi \times d^2 / 4 \right) \times s \times n \times 10^{-9}$$

$$Q_a = Q_{th} \times \eta_v$$

where

Q_{th} is the theoretical delivery volume (m³/h);

Q_a is the actual delivery volume (m³/h);

d is the diameter of the concrete cylinder piston (mm)

s is the stroke (mm);

n is the number of strokes per hour;

η_v is the volumetric efficiency, equal to 0,8 to 0,9.

4 Classification of the concrete pumps

In general terms, concrete pumps are typically classified by the following five main characteristics (see [Table 1](#)):

- type of pumping unit;
- mode or frequency of transportation;
- form of conveying;
- concrete mix delivery with assistance;

— drive system.

Table 1 — Classification of the concrete pumps

Classification	Type	Current examples	Reference figures
Type of pumping unit	Piston	Hydraulic driven	Figure A.1
		Mechanical driven	—
		Single-piston	—
		Multi-piston	Figure A.1
	Rotary	Vacuum	Figure A.6, A.7
Elastic		Figure A.8, A.9	
Mode or frequency of transportation	Self-propelled mobile	Truck-mounted	Figures A.10, A.11, A.14 and ISO 11375, Figure 41
	Non self-propelled mobile	Trailer-mounted (with tires on highway)	Figure A.12 and ISO 11375, Figure 42
		Trailer-mounted, steel wheels (rides on rails)	—
		Trailer-mounted, track	—
	Stationary	Skid-mounted/Fixed in place	Figure A.13
Trailer mounted (with tires off-road)		ISO 11375, Figure 42	
Form of conveying	With integral distribution boom	Truck mounted	Figure A.10, A.14 and ISO 11375, Figure 41
		Trailer-mounted	ISO 11375, Figure 43
	With separate distribution boom	Tower-mounted boom	ISO 11375, Figure 44
		Articulating distribution arm (with support legs)	—
	With connected conveying line	Pipe and/or hose run from pump to placement	—
Concrete-mix delivery with assistance	With pressurized air	Concrete spraying	—

5 Commercial specifications

5.1 General characteristics

The following characteristics shall be specified:

- model and type;
- manufacturer's name;
- maximum theoretical pumping capacity (m³/h);
- maximum theoretical pressure in concrete (MPa);
- diameter of concrete pumping cylinder (mm);
- stroke of concrete pumping cylinder (mm);
- number of strokes per minute (min⁻¹);

- outlet diameter of concrete valve device (mm);
- capacity of hopper (m³);
- engine power (kW);
- acceptable leaning angle of the machine during pumping operation (degrees);
- operating mass (kg).

Specify the mass of the concrete pump under the following conditions:

- ready to run;
- with or without cab (to be stated);
- including standard equipment;
- with a driver of mass 75 kg;
- with fuel tank half full;
- with cleaning water, cooling, lubrication and hydraulic systems full.

The manufacturer shall provide means for correlating the machine's theoretical maximum concrete line pressure to the theoretical pumping distance capability.

5.2 Applicable concrete

Specify the following:

- maximum applicable size of aggregate (mm);
- minimum applicable slump value (cm).

5.3 Drive

Specify the type of the concrete pump's drive:

- by the vehicle engine and additional gear box for hydraulic pump driving;
- by separate engine and gear box driving the hydraulic system.

5.4 Dimensional characteristics

Specify the following:

- overall dimensions:
 - length, L (mm);
 - width, W (mm);
 - height, H (mm);
- wheel base, $L1$ (mm);
- hopper height from the ground, $H1$ mm;
- reach of distributing boom (m).

For maximum out-reach of the distributing boom, see [Figure A.14](#).

5.5 Conveying-pipe cleaning device

Specify the following:

- model;
- operation method (water or pneumatic system);
- performance:
 - delivery volume (l/min);
 - delivery pressure (MPa).

5.6 Chassis cleaning device

Specify the following:

- model;
- cleaning-water tank capacity (l).

5.7 Distributing boom

Specify the following:

- model;
- maximum reach in vertical (m);
- maximum reach in horizontal (m);
- swing device:
 - model;
 - swing angles α , β , γ , δ (see [Figure A.14](#)) (degrees);
- diameter of the conveying pipe on the boom (mm);
- length of the rubber distributing hose (m);
- number of boom sections;
- mass of the distributing boom (kg).

5.8 Outrigger component

Specify the following:

- model;
- maximum extended width:
 - front (mm);
 - rear (mm);
- maximum load capacity of each outrigger.

5.9 Hydraulic system

Specify the following:

- number of hydraulic pumps;
- hydraulic oil-tank capacity (l);
- boom control block (proportional or nominal directional valve).

For each pump, specify:

- application (concrete cylinders drive, cutting-off valves drive, distributing boom drive, outriggers drive, hopper agitator drive);
- model;
- delivery volume (l/min);
- delivery pressure (MPa).

5.10 Truck chassis

Specify the following:

- general data;
- model;
- load capacity (N);
- number of axles;
- maximum permissible load on axles:
 - front (N);
 - rear (N);
- engine characteristics:
 - model;
 - rated output/engine speed (kW/min⁻¹);
 - maximum torque/engine speed (N·m/min⁻¹);
 - displacement (m³);
- fuel tank capacity (l).

5.11 Trailer chassis

Specify the following:

- model;
- type of trailer — single or double axle;
- load capacity (N);
- maximum permissible load on axle (N).

For a double-axle trailer, specify the permissible load on the front and rear axles.

5.12 Attachments and tools

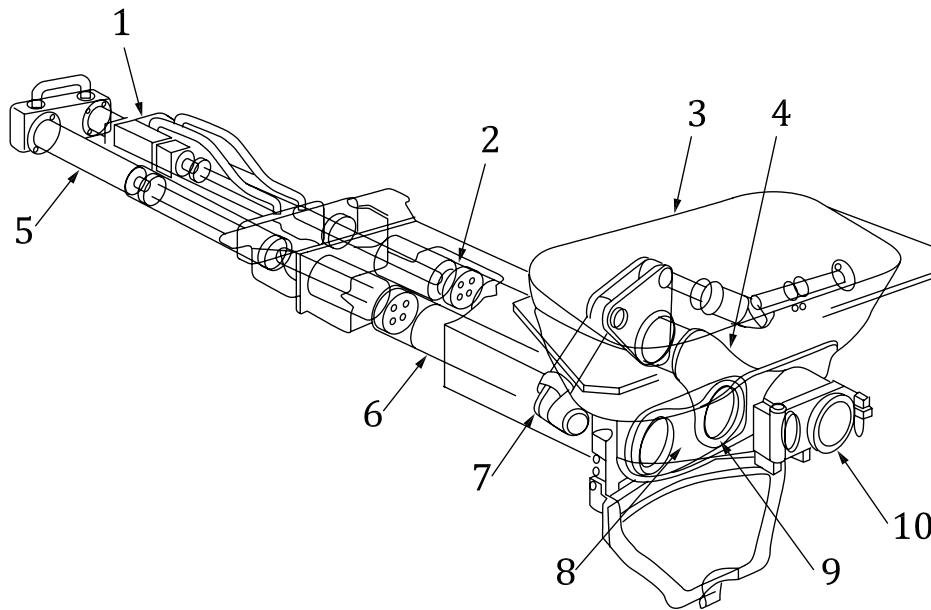
Specify the following:

- remote-control panel (if any);
- operation manual;
- tools;
- spare parts;
- reduction connection for pipeline with clamp.

Annex A (informative)

Examples of concrete pump designs and their assemblies

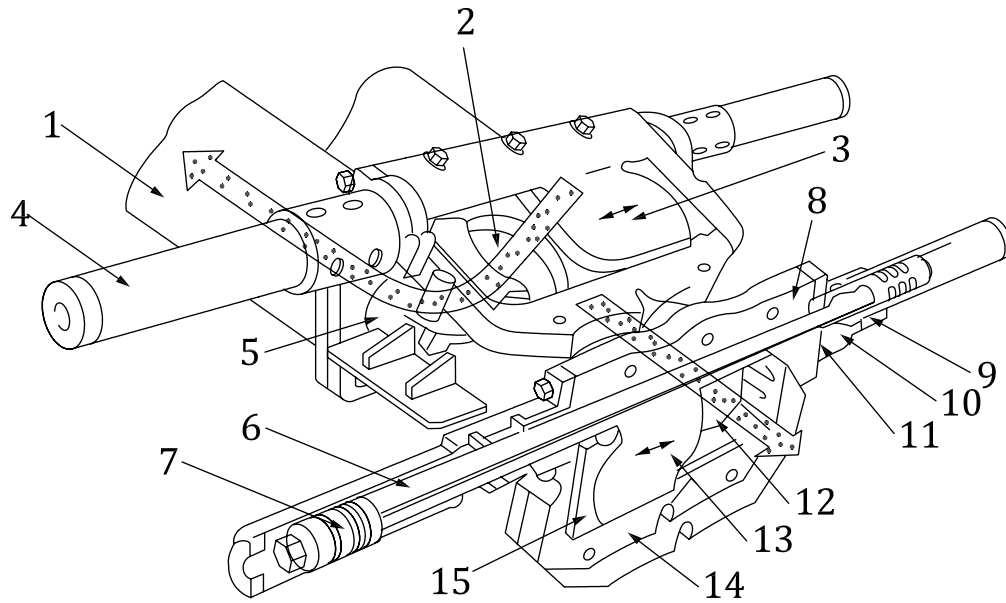
See [Figures A.1](#) to [A.14](#).



Key

- 1 hydraulic valve
- 2 concrete piston
- 3 concrete hopper
- 4 swing pipe
- 5 hydraulic cylinder
- 6 concrete cylinder
- 7 hydraulic cylinder (valve)
- 8 wear plate
- 9 wear ring
- 10 outlet port

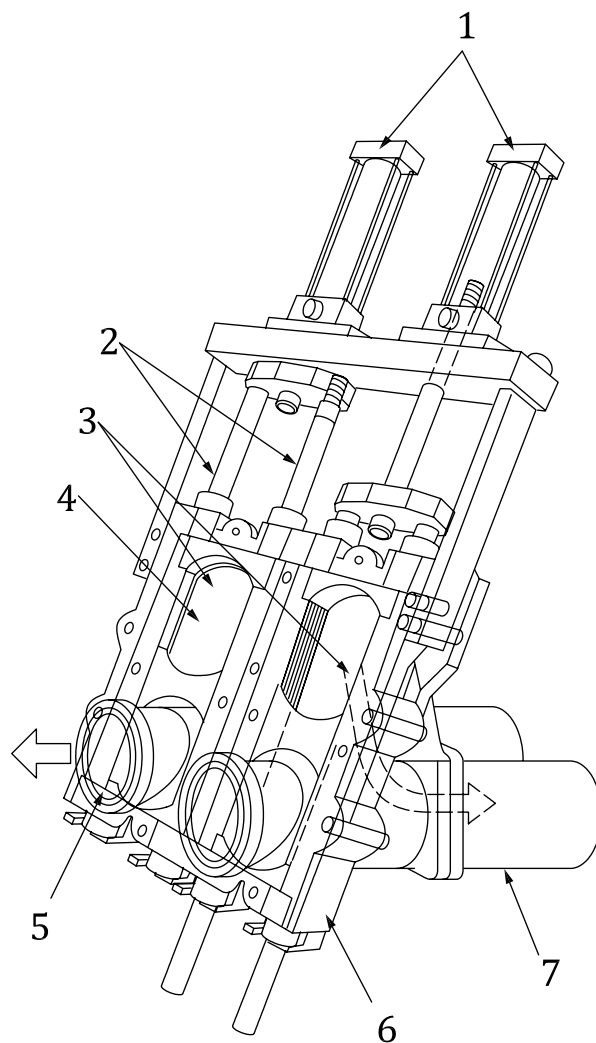
Figure A.1 — Structure of piston-type concrete pump (swing-valve type)



Key

- 1 concrete cylinder
- 2 suction port
- 3 inlet gate valve
- 4 hydraulic cylinder
- 5 casing
- 6 valve rod
- 7 hydraulic piston
- 8 bushing
- 9 packing (hydraulic cylinder)
- 10 lubricate bushing
- 11 packing (gate valve)
- 12 discharge port
- 13 outlet gate valve
- 14 valve housing
- 15 stopper

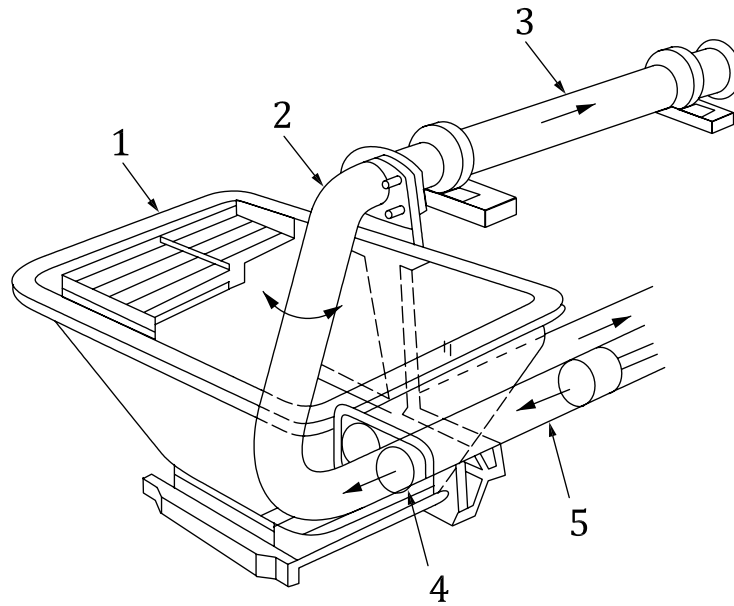
Figure A.2 — Structure and principle of operation of the gate valve system (horizontal type)



Key

- 1 hydraulic cylinder
- 2 valve rod
- 3 suction port
- 4 valve plate
- 5 discharge port
- 6 valve casing
- 7 concrete cylinder

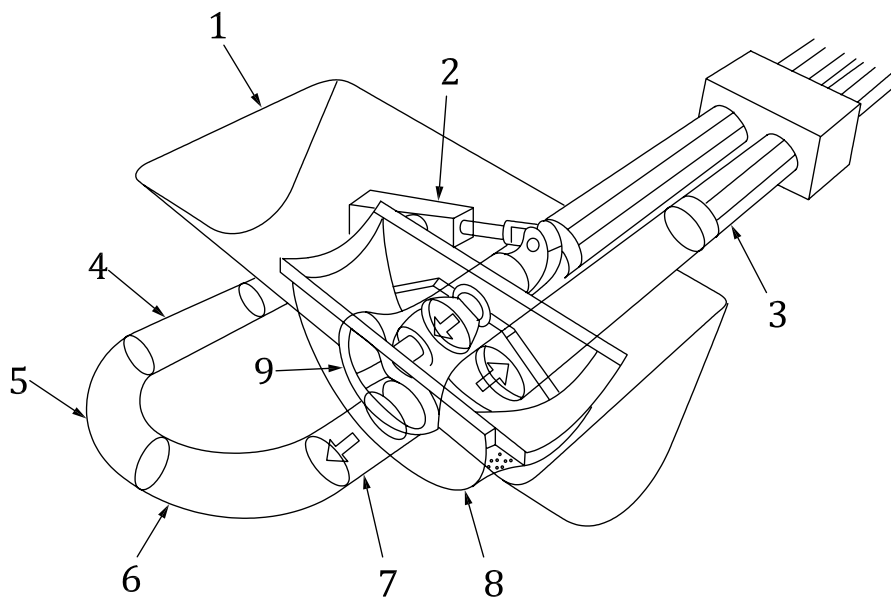
Figure A.3 — Structure and principle of operation of the gate-valve system (vertical type)



Key

- 1 concrete hopper
- 2 swing valve
- 3 outlet pipe
- 4 intake-outlet port
- 5 concrete cylinder

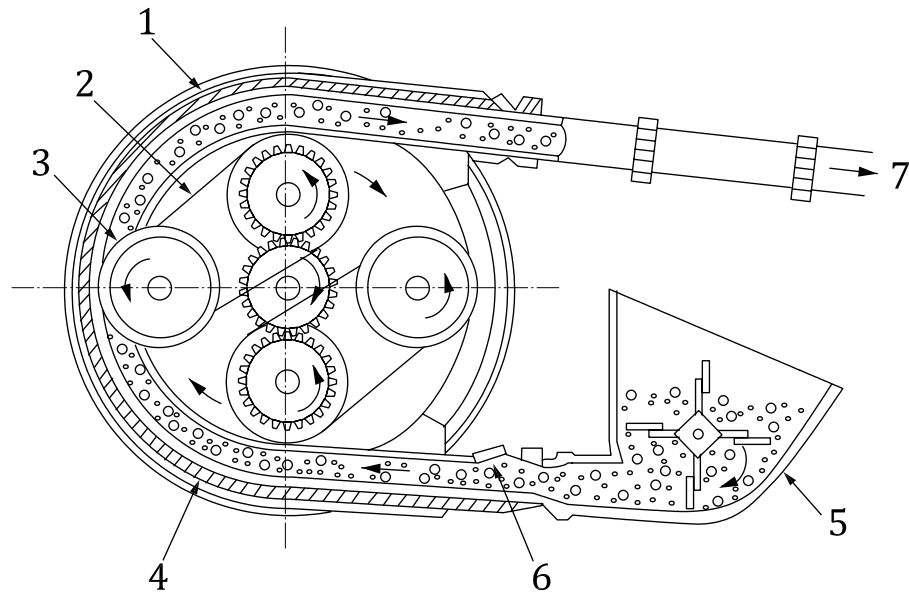
Figure A.4 — Structure and principle of operation of the swing-valve system



Key

- 1 concrete hopper
- 2 hydraulic cylinder (valve)
- 3 concrete cylinder
- 4 tapered pipe
- 5 bent pipe
- 6 tapered bent pipe
- 7 outlet pipe
- 8 rock-slicer
- 9 swing valve

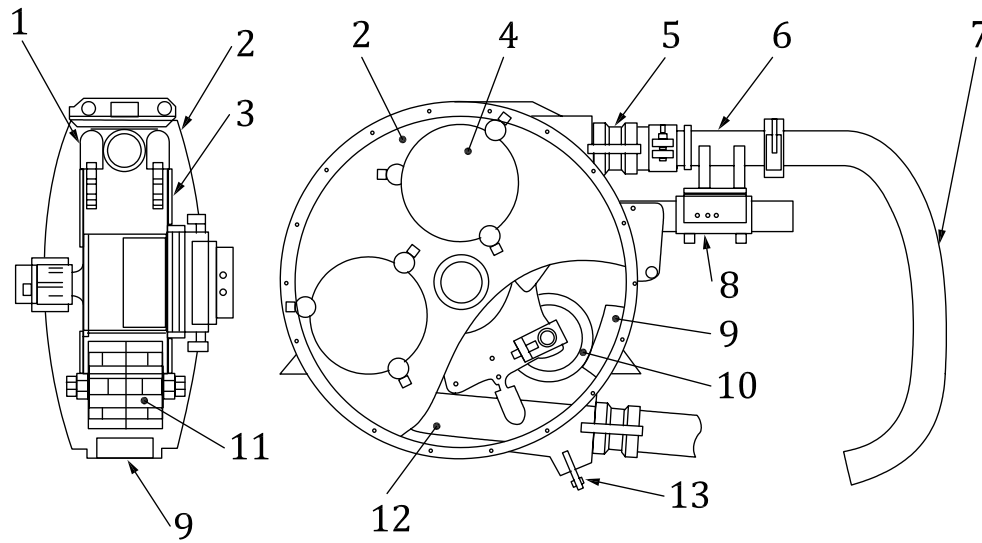
Figure A.5 — Structure and principle of operation of the swing-valve system



Key

- 1 rubber pad
- 2 drive chain
- 3 rubber roller
- 4 pumping tube
- 5 concrete hopper
- 6 suction port
- 7 discharge port

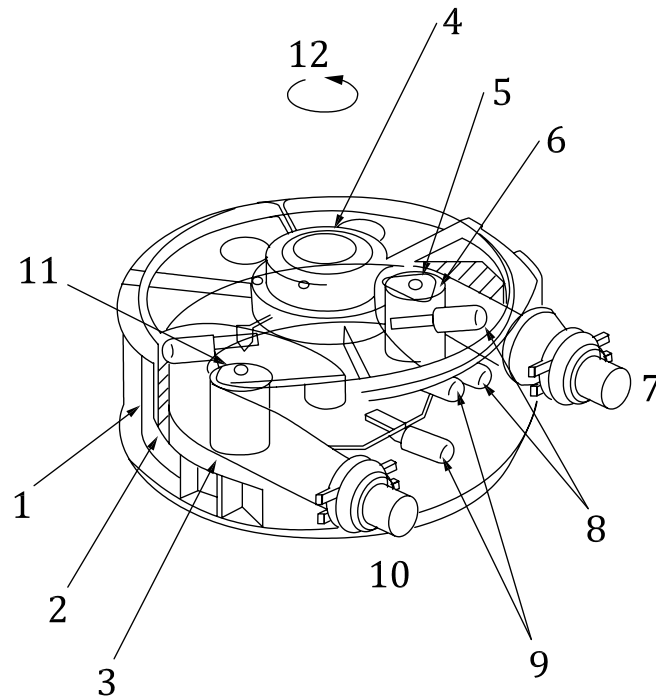
Figure A.6 — Structure and principle of operation of the rotary-type concrete pump



Key

- 1 guide roller
- 2 pump casing
- 3 rotor frame
- 4 hole cover
- 5 boots
- 6 transfer pipe
- 7 transfer hose
- 8 support beam
- 9 rubber pad
- 10 rubber roller
- 11 roller shaft
- 12 pumping tube
- 13 drain port

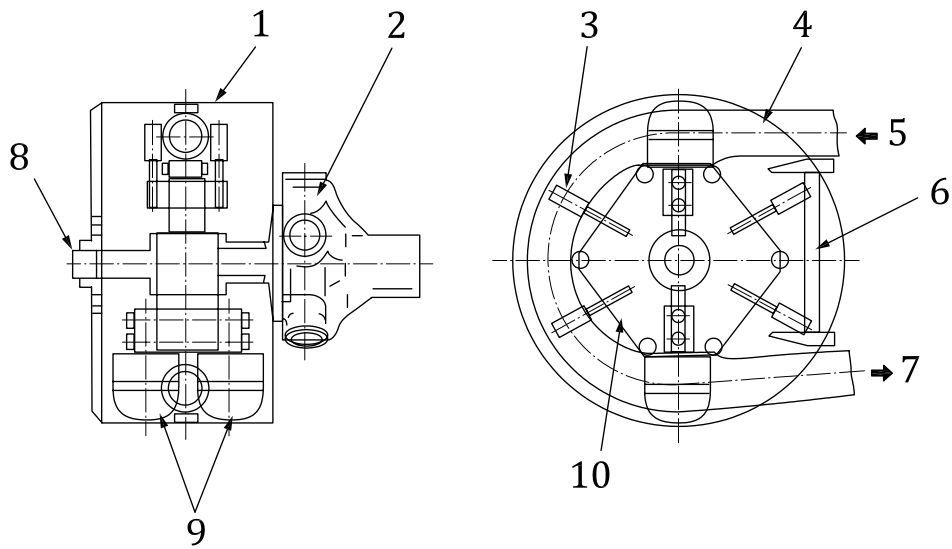
Figure A.7 — Structure of the rotary concrete pump (vacuum type)



Key

- 1 pump casing
- 2 rubber pad
- 3 pumping tube
- 4 hydraulic motor
- 5 adjusting screw
- 6 rubber roller
- 7 inlet port
- 8 guide roller (A)
- 9 guide roller (B)
- 10 outlet port
- 11 adjust indicator
- 12 direction of rotation

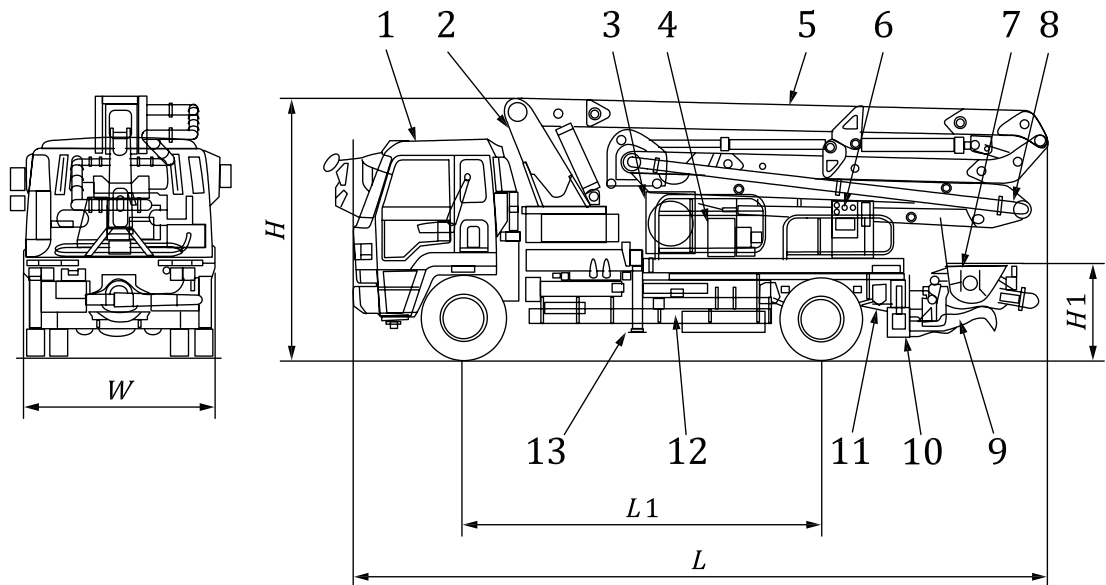
Figure A.8 — Structure of the rotary concrete pump (elastic-restore type)



Key

- 1 pump casing
- 2 hydraulic motor
- 3 guide roller
- 4 pumping tube
- 5 inlet port
- 6 tube guide
- 7 outlet port
- 8 bearing
- 9 press roller
- 10 rotor

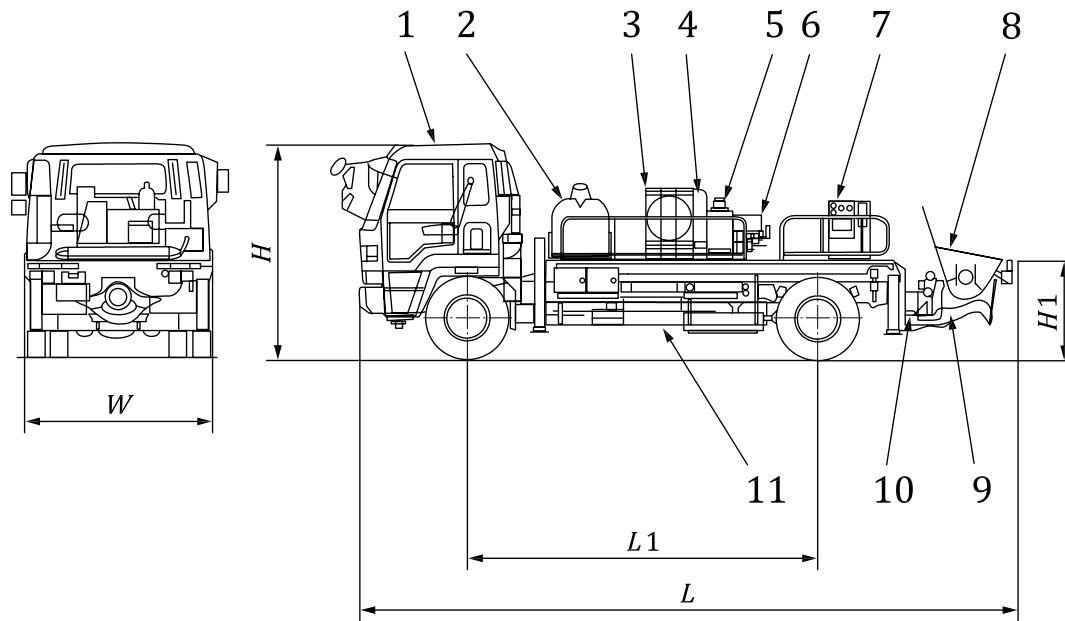
Figure A.9 — Structure of the rotary concrete pump with elastic restore (double roller pump)



Key

- 1 truck chassis
- 2 turn-table
- 3 oil cooler
- 4 oil tank
- 5 boom
- 6 control panel
- 7 concrete hopper
- 8 conveying pipe
- 9 concrete valve
- 10 rear outrigger
- 11 concrete cylinder
- 12 water pump
- 13 front outrigger
- L overall length
- $L1$ wheel base
- W overall width
- H overall height
- $H1$ hopper height

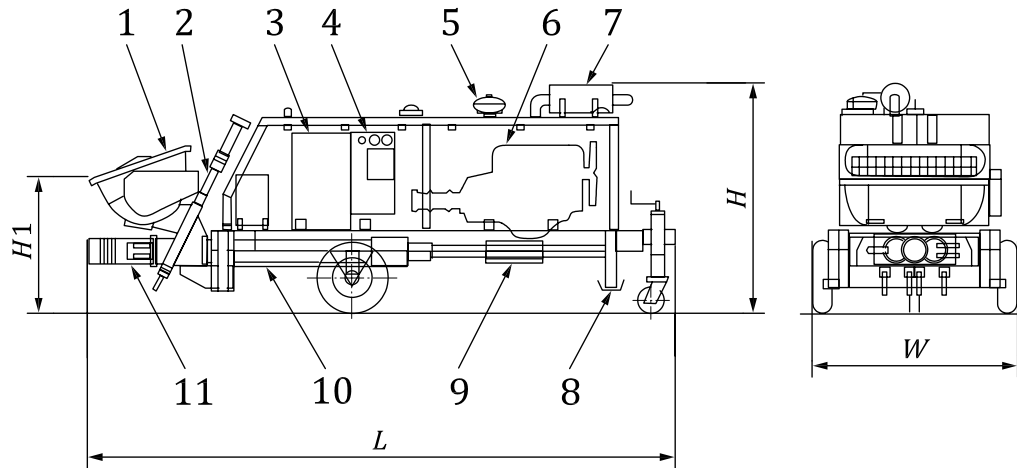
Figure A.10 — Truck- mounted concrete pump with distributing boom



Key

- 1 truck chassis
- 2 water tank
- 3 oil cooler
- 4 accumulator
- 5 oil tank
- 6 hydraulic valve
- 7 control panel
- 8 concrete hopper
- 9 concrete valve
- 10 concrete cylinder
- 11 water pump
- L overall length
- $L1$ wheel base
- W overall width
- H overall height
- $H1$ hopper height

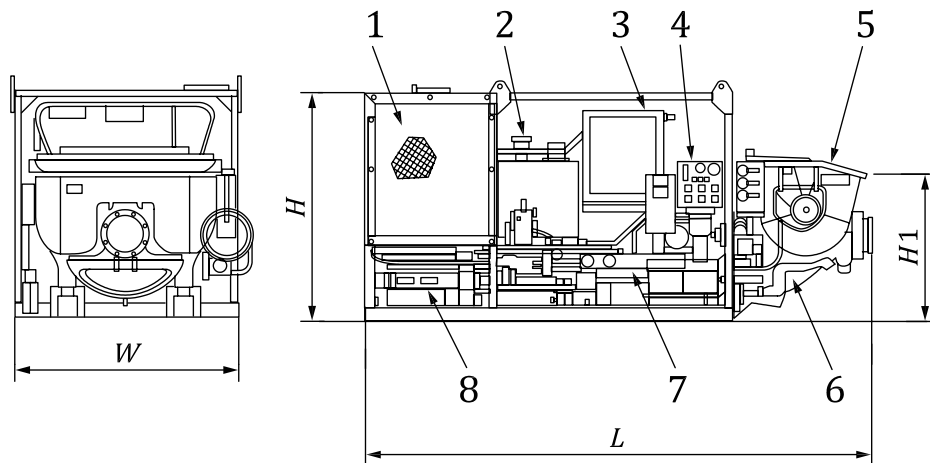
Figure A.11 — Truck-mounted concrete pump for connection of a conveying pipeline



Key

- 1 concrete hopper
- 2 concrete valve
- 3 oil tank
- 4 control panel
- 5 intake filter
- 6 diesel engine
- 7 exhaust muffler
- 8 outrigger
- 9 battery
- 10 concrete cylinder
- 11 connecting pipe
- L overall length
- W overall width
- H overall height
- $H1$ hopper height

Figure A.12 — Trailer-type concrete pump

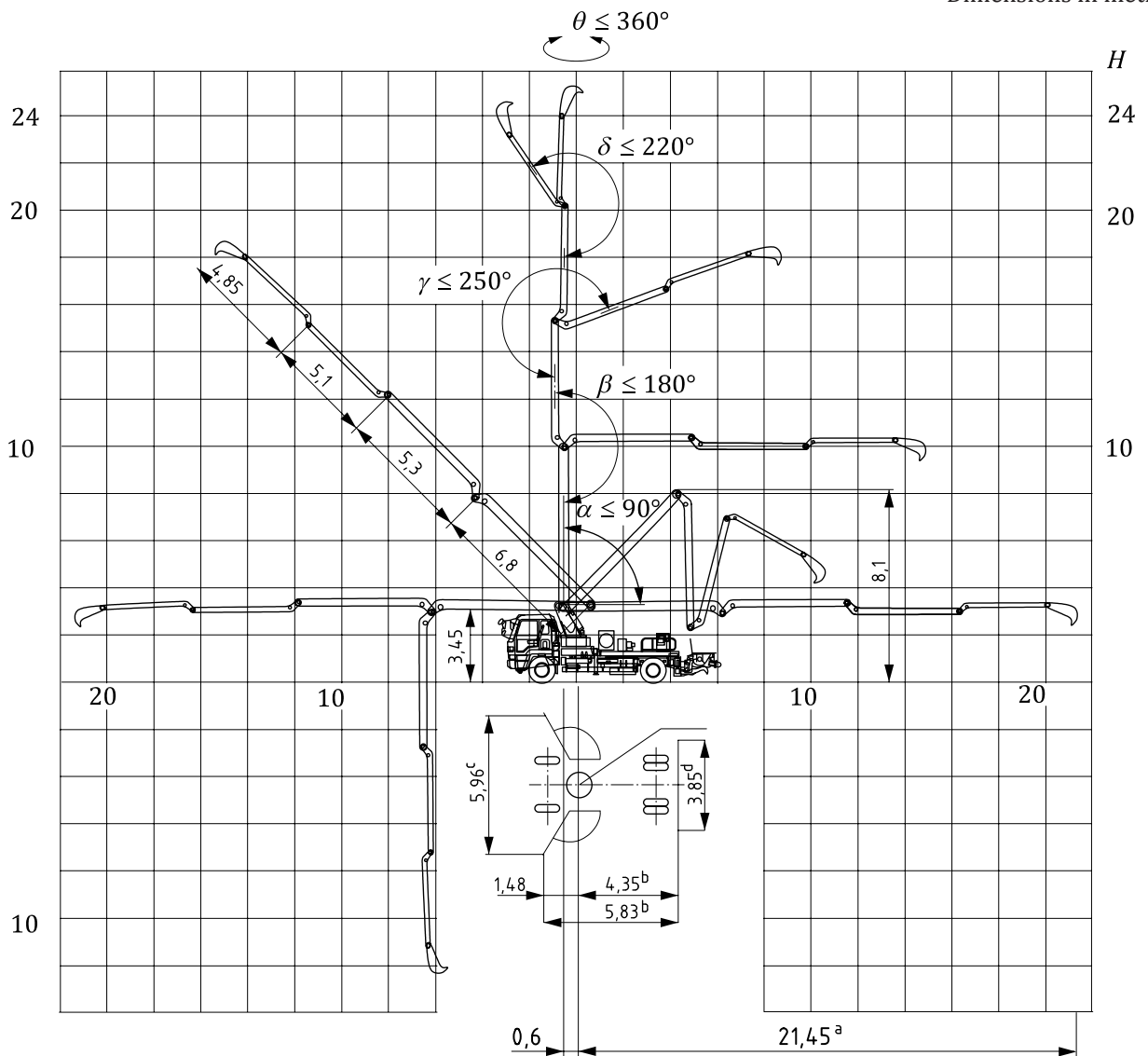


Key

- 1 engine radiator
- 2 air breather
- 3 oil cooler
- 4 control panel
- 5 concrete hopper
- 6 hopper gate
- 7 concrete cylinder
- 8 hydraulic cylinder
- L overall length
- W overall width
- H overall height
- $H1$ hopper height

Figure A.13 — Stationary-type concrete pump

Dimensions in metres



Key

- H boom vertical reach
- α hoist angle of boom 1
- β folding angle of boom 2
- γ folding angle of boom 3
- δ folding angle of boom 4
- θ slewing angle
- a $L1$ boom horizontal reach
- b $L2$ outrigger span
- c $W1$ outrigger front span
- d $W2$ outrigger rear span

Figure A.14 — Reach possibilities of the concrete pump with distributing boom

British Standards Institution (BSI)

BSI is the national body responsible for preparing British Standards and other standards-related publications, information and services.

BSI is incorporated by Royal Charter. British Standards and other standardization products are published by BSI Standards Limited.

About us

We bring together business, industry, government, consumers, innovators and others to shape their combined experience and expertise into standards-based solutions.

The knowledge embodied in our standards has been carefully assembled in a dependable format and refined through our open consultation process. Organizations of all sizes and across all sectors choose standards to help them achieve their goals.

Information on standards

We can provide you with the knowledge that your organization needs to succeed. Find out more about British Standards by visiting our website at bsigroup.com/standards or contacting our Customer Services team or Knowledge Centre.

Buying standards

You can buy and download PDF versions of BSI publications, including British and adopted European and international standards, through our website at bsigroup.com/shop, where hard copies can also be purchased.

If you need international and foreign standards from other Standards Development Organizations, hard copies can be ordered from our Customer Services team.

Subscriptions

Our range of subscription services are designed to make using standards easier for you. For further information on our subscription products go to bsigroup.com/subscriptions.

With **British Standards Online (BSOL)** you'll have instant access to over 55,000 British and adopted European and international standards from your desktop. It's available 24/7 and is refreshed daily so you'll always be up to date.

You can keep in touch with standards developments and receive substantial discounts on the purchase price of standards, both in single copy and subscription format, by becoming a **BSI Subscribing Member**.

PLUS is an updating service exclusive to BSI Subscribing Members. You will automatically receive the latest hard copy of your standards when they're revised or replaced.

To find out more about becoming a BSI Subscribing Member and the benefits of membership, please visit bsigroup.com/shop.

With a **Multi-User Network Licence (MUNL)** you are able to host standards publications on your intranet. Licences can cover as few or as many users as you wish. With updates supplied as soon as they're available, you can be sure your documentation is current. For further information, email bsmusales@bsigroup.com.

BSI Group Headquarters

389 Chiswick High Road London W4 4AL UK

Revisions

Our British Standards and other publications are updated by amendment or revision.

We continually improve the quality of our products and services to benefit your business. If you find an inaccuracy or ambiguity within a British Standard or other BSI publication please inform the Knowledge Centre.

Copyright

All the data, software and documentation set out in all British Standards and other BSI publications are the property of and copyrighted by BSI, or some person or entity that owns copyright in the information used (such as the international standardization bodies) and has formally licensed such information to BSI for commercial publication and use. Except as permitted under the Copyright, Designs and Patents Act 1988 no extract may be reproduced, stored in a retrieval system or transmitted in any form or by any means – electronic, photocopying, recording or otherwise – without prior written permission from BSI. Details and advice can be obtained from the Copyright & Licensing Department.

Useful Contacts:

Customer Services

Tel: +44 845 086 9001

Email (orders): orders@bsigroup.com

Email (enquiries): cservices@bsigroup.com

Subscriptions

Tel: +44 845 086 9001

Email: subscriptions@bsigroup.com

Knowledge Centre

Tel: +44 20 8996 7004

Email: knowledgecentre@bsigroup.com

Copyright & Licensing

Tel: +44 20 8996 7070

Email: copyright@bsigroup.com



...making excellence a habit.™