

BS ISO 21100:2014



BSI Standards Publication

# Air cargo unit load devices — Performance requirements and test parameters

**bsi.**

...making excellence a habit.™

**National foreword**

This British Standard is the UK implementation of ISO 21100:2014. It supersedes DD ISO/PAS 21100:2011 which is withdrawn.

The UK participation in its preparation was entrusted to Technical Committee ACE/57, Air cargo and ground support equipment.

A list of organizations represented on this committee can be obtained on request to its secretary.

This publication does not purport to include all the necessary provisions of a contract. Users are responsible for its correct application.

© The British Standards Institution 2014. Published by BSI Standards Limited 2014

ISBN 978 0 580 82542 2

ICS 49.100; 49.120

**Compliance with a British Standard cannot confer immunity from legal obligations.**

This British Standard was published under the authority of the Standards Policy and Strategy Committee on 30 September 2014.

**Amendments issued since publication**

Date	Text affected
------	---------------

---

INTERNATIONAL  
STANDARD

**ISO**  
**21100**

First edition  
2014-09-01

---

---

**Air cargo unit load devices —  
Performance requirements and test  
parameters**

*Unités de charge de fret aérien — Exigences de performances et  
paramètres d'essai*



Reference number  
ISO 21100:2014(E)

© ISO 2014



**COPYRIGHT PROTECTED DOCUMENT**

© ISO 2014

All rights reserved. Unless otherwise specified, no part of this publication may be reproduced or utilized otherwise in any form or by any means, electronic or mechanical, including photocopying, or posting on the internet or an intranet, without prior written permission. Permission can be requested from either ISO at the address below or ISO's member body in the country of the requester.

ISO copyright office  
Case postale 56 • CH-1211 Geneva 20  
Tel. + 41 22 749 01 11  
Fax + 41 22 749 09 47  
E-mail [copyright@iso.org](mailto:copyright@iso.org)  
Web [www.iso.org](http://www.iso.org)

Published in Switzerland

# Contents

Page

<b>Foreword</b> .....	<b>iv</b>
<b>1 Scope</b> .....	<b>1</b>
<b>2 References and terms and definitions</b> .....	<b>2</b>
2.1 Government regulations.....	2
2.2 Normative references.....	2
<b>2.3 Terms and definitions</b> .....	<b>2</b>
<b>3 Classification</b> .....	<b>3</b>
3.1 Types.....	3
3.2 Sizes.....	4
3.3 Configurations.....	4
3.4 Forms.....	5
3.5 Classification identifier.....	5
<b>4 Performance requirements</b> .....	<b>5</b>
4.1 Materials.....	5
4.2 Fabrication methods and workmanship.....	5
4.3 Protection.....	5
4.4 Construction.....	5
4.5 Marking.....	5
4.6 Inspection provisions.....	6
4.7 Fire protection.....	6
4.8 Rapid decompression.....	6
4.9 Dimensions and tolerances.....	6
4.10 Strength.....	6
4.11 Environmental degradation.....	7
<b>5 Tests</b> .....	<b>8</b>
5.1 Test requirements.....	8
5.2 Test parameters.....	8
5.3 Test methods.....	8
5.4 Test results.....	8
<b>6 Additional</b> .....	<b>8</b>
6.1 Intended use.....	8
6.2 Unit load device capacities.....	8
6.3 Container contours.....	9
6.4 Pallet configurations.....	9
<b>7 Unit load device configurations</b> .....	<b>9</b>
<b>8 Testing restraint conditions</b> .....	<b>27</b>
<b>Bibliography</b> .....	<b>42</b>

## Foreword

ISO (the International Organization for Standardization) is a worldwide federation of national standards bodies (ISO member bodies). The work of preparing International Standards is normally carried out through ISO technical committees. Each member body interested in a subject for which a technical committee has been established has the right to be represented on that committee. International organizations, governmental and non-governmental, in liaison with ISO, also take part in the work. ISO collaborates closely with the International Electrotechnical Commission (IEC) on all matters of electrotechnical standardization.

The procedures used to develop this document and those intended for its further maintenance are described in the ISO/IEC Directives, Part 1. In particular the different approval criteria needed for the different types of ISO documents should be noted. This document was drafted in accordance with the editorial rules of the ISO/IEC Directives, Part 2. [www.iso.org/directives](http://www.iso.org/directives)

Attention is drawn to the possibility that some of the elements of this document may be the subject of patent rights. ISO shall not be held responsible for identifying any or all such patent rights. Details of any patent rights identified during the development of the document will be in the Introduction and/or on the ISO list of patent declarations received. [www.iso.org/patents](http://www.iso.org/patents)

Any trade name used in this document is information given for the convenience of users and does not constitute an endorsement.

For an explanation on the meaning of ISO specific terms and expressions related to conformity assessment, as well as information about ISO's adherence to the WTO principles in the Technical Barriers to Trade (TBT), see the following URL: [Foreword - Supplementary information](#)

The committee responsible for this document is ISO/TC 20, *Aircraft and space vehicles*, Subcommittee SC 9, *Air cargo and ground equipment*.

# Air cargo unit load devices — Performance requirements and test parameters

## 1 Scope

**1.1** The purpose of this International Standard is to establish the minimum requirements for airworthiness approval of air cargo pallets, nets and containers, generally designated as air cargo unit load devices.

**NOTE** In all countries, standing Government regulations apply to air cargo unit load devices airworthiness approval. This International Standard is intended to provide a uniform technical reference for air cargo unit load devices approval, but does not, under any circumstance, supersede the requirements of applicable regulations or the aircraft manufacturer's Authority approved Weight and Balance Manual.

**1.2** This International Standard defines the minimum performance requirements and test parameters for air cargo unit load devices requiring approval of airworthiness for installation in an approved aircraft cargo compartment and restraint system that complies with the cargo restraint and occupant protection requirements of EASA CS-25 or 14 CFR Part 25, except for the 9,0 g forward ultimate inertia force of § 25.561(b) (3) (ii).

**1.3** This International Standard applies to airworthiness approved air cargo unit load devices intended for carriage on board civil transport category airplanes type certificated under EASA CS-25, "*Certification Specifications for Large Aeroplanes*" or 14 CFR Part 25, "*Airworthiness Standards - Transport Category Airplanes*", or equivalent regulations.

**1.4** It exclusively applies to unit load devices airworthiness approval and testing parameters. It does not apply to either aircraft design or aircraft operating requirements, which are provided by the approved Weight and Balance Manual for each aircraft type.

**1.5** Other aspects that do not directly pertain to air cargo unit load devices airworthiness approval and testing, e.g.:

- ULD design specifications,
- ULD in service damage limits,
- ULD restraint malfunction limitations,
- ULD test methods,
- ULD load distribution models,
- ULD maximum allowable contours,
- ULD C.G. location control means,
- ULD pressure equalization methods,
- ULD utilization guidelines,

are defined in other International Standards (see [2.2](#), Normative References and Bibliography).

**1.6** Air cargo unit load devices qualified prior to publication of this specification were TSO (Technical Standard Order) approved in accordance with the requirements of International Standard ISO 8097:2001.

This International Standard is intended as a TSO approval reference for all new models of unit load devices in the sizes or types it covers, in replacement of previously used ISO 8097.

NOTE ISO 8097 is based on USA National Aerospace Standard NAS 3610 revision 10:1990, *Specification for Cargo Unit Load Devices*.

**1.7** Air cargo unit load devices the size or type of which is not covered in this specification are to keep being airworthiness approved in accordance with the requirements of ISO 8097:2011, if their size or type is contained therein, or in accordance with other equivalent criteria, if not.

NOTE the requirements for cargo covers are not defined in this International Standard, except insofar as net restraint is incorporated therein.

## 2 References and terms and definitions

### 2.1 Government regulations

The following government regulations are applicable to approval of transport aircraft cargo compartments and therefore to air cargo unit load devices approval:

- EU: European Aviation Safety Agency CS-25, Certification Specifications for Large Aeroplanes<sup>1)</sup>
- Japan: Japanese Airworthiness Standard Part 3 (Civil Aeronautics Law Article 10 § 4)<sup>2)</sup>
- USA: Code of Federal Regulations Title 14 CFR Part 25 - Airworthiness Standards: Transport Category Airplanes<sup>3)</sup>

### 2.2 Normative references

The following documents, in whole or in part, are normatively referenced in this document and are indispensable for its application. For dated references, only the edition cited applies. For undated references, the latest edition of the referenced document (including any amendments) applies.

ISO 7166, *Aircraft — Rail and stud configuration for passenger equipment and cargo restraint*

ISO 8097:2001, *Aircraft — Minimum airworthiness requirements and test conditions for certified air cargo unit load devices*

ISO 9788, *Air cargo equipment — Cast components of double stud fitting assembly with a load capacity of 22 250 N (5 000 lbf), for aircraft cargo restraint*

ISO 10046, *Aircraft — Methodology of calculating cargo compartment volumes*

ISO 11242, *Aircraft — Pressure equalization requirements for cargo containers*

### 2.3 Terms and definitions

For the purposes of this document, the following terms and definitions apply:

---

1) EASA CS-25 constitutes the European governments transport aircraft airworthiness approval Regulations, and can be obtained from: European Aviation Safety Agency (EASA), Otto Platz 1, Postfach 101253, D-50452 Cologne, Germany, or at [www.easa.europa.eu](http://www.easa.europa.eu).

2) The Japanese Airworthiness Standard Part 3 (ISBN 4-89279-661-1) can be obtained from the Civil Aviation Bureau (CAB) of the Ministry of Land, Infrastructure, Tourism and Transport, Tokyo, Japan, or at [www.mlit.go.jp.en](http://www.mlit.go.jp.en).

3) 14 CFR Part 25 constitutes the U.S.A. government transport aircraft airworthiness approval Regulations, and can be obtained from :U.S. Government Printing Office, Mail Stop SSOP, Washington DC 20402-9328, or at [www.gpoaccess.gov.ec.fr](http://www.gpoaccess.gov.ec.fr).



### 2.3.1

#### **container < air cargo — >**

rigid structure which interfaces directly with the aircraft cargo handling and restraint system and alone performs all the functions of a unit load device

### 2.3.2

#### **cover < cargo — >**

cover made of flexible material, used to protect cargo on a pallet

Note 1 to entry: It may or may not incorporate a pallet net or be permanently attached to one. If a net is incorporated or permanently attached to the cover, the performance and testing requirements applicable to nets in this specification are applicable to the net / cover assembly.

### 2.3.3

#### **net < air cargo pallet — >**

webbing or rope net for restraining load onto an air cargo pallet

### 2.3.4

#### **numeric simulation**

simulation of physical test condition and reaction of unit load device employing numerical analysis, computational geometry and computer graphics to obtain proof support and design verification, validated by demonstration that parameters, algorithms and analytical methods used provide results of at least equivalent reliability to the outcome of a specified actual test

### 2.3.5

#### **pallet < air cargo — >**

unit load device consisting of a flat platform with flat undersurface of standard dimensions, on which goods are assembled and secured by a net before being loaded as a unit onto the aircraft, and which interfaces directly with the aircraft handling and restraint system

### 2.3.6

#### **restraint system**

equipment for supporting and restraining unit load devices in an aircraft against the ground/flight loads

Note 1 to entry: It usually consists of such items as rollers, side guides and locks for securing unit load devices to the aircraft structure. It does not include unit load devices, barrier nets and tie-down straps.

### 2.3.7

#### **unit load device**

#### **ULD**

device for grouping, transferring and restraining cargo for transit

Note 1 to entry: It may consist of a pallet with a net or it may be a container.

## 3 Classification

### 3.1 Types

**Type 1** (Reference only): Unit load devices (ULDs) designed for use in an approved aircraft restraint system that conforms to all flight and ground cargo restraint and occupant protection requirements of EASA CS-25 or 14 CFR Part 25, including the 9,0g forward ultimate inertia force of § 25.561 (b)(3)(ii).

NOTE Type 1 unit load devices (ULDs) are not shown in this specification. Refer to International Standard ISO 8097:2001 (NAS 3610 revision 10).

**Type 2** Unit load devices (ULDs) designed for use in an approved aircraft cargo compartment and restraint system that conforms to the flight and ground cargo restraint and occupant protection requirements of EASA CS-25 or 14 CFR Part 25, except for the 9,0g forward ultimate inertia force of § 25.561(b) (3) (ii), which is complied with either by supplementary installation of a barrier net or bulkhead, or by specifying an approved placement of the ULD in the aircraft.

## 3.2 Sizes

This specification provides for the following sizes of unit load devices, expressed as nominal dimensions in the overall plan form of a pallet or a container base, in mm (inches):

NOTE throughout this specification, dimensions are expressed in SI units, with inch/pound system values additionally shown between brackets in order to conform to international air cargo industry usage.

Size	Nominal dimension
A	2 235 × 3 175 mm (88 × 125 in)
B	2 235 × 2 743 mm (88 × 108 in)
G	2 438 × 6 058 mm (96 × 238,5 in)
K	1 534 × 1 562 mm (60,4 × 61,5 in)
L	1 534 × 3 175 mm (60,4 × 125 in)
M	2 438 × 3 175 mm (96 × 125 in)
N	1 562 × 2 438 mm (61,5 × 96 in)
P	1 198 × 1 534 mm (47 × 60,4 in)
Q	1 534 × 2 438 mm (60,4 × 96 in)
R	2 438 × 4 978 mm (96 × 196 in)
S	1 562 × 2 235 mm (61,5 × 88 in)

NOTE Size codes C, D, E, F, H, I, J, O have been intentionally omitted in this specification in order to be in agreement with the industry's (IATA ULD Regulations) identification coding system.

## 3.3 Configurations

**3.3.1** This specification provides for variations of configuration among pallets, nets and containers of the same type and size, specified in [Clause 7](#) and listed in [Table 1](#) hereafter. Variations in pallet/net attachment and special interface requirements between components of unit load devices when affecting airworthiness are specified by the configuration drawings. Configurations are denoted by sequence number and are identified in accordance with [Clause 3.5](#) hereafter.

**3.3.2** The applicable restraint conditions to be used for testing each unit load device configuration are specified in [Clause 8](#) and listed in [Table 2](#) hereafter, based on testing of worst case analysis.

**3.3.3** The ULD restraint conditions and ultimate loads included herein are intended to represent a worst case capability for the ULD. They are not intended to represent aircraft cargo handling system restraint designs. Actual aircraft implementations may vary from the ULD test parameters stated herein in such areas as number and spacing of restraints, among others, as long as they stay within the worst case ULD capabilities.

### 3.4 Forms

Form C =	Container
Form N =	Net
Form P =	Pallet

### 3.5 Classification identifier

The pallets, nets and containers described in this specification shall be identified by the numbers derived as shown. Types, sizes, configurations and forms shall be limited to those in configuration drawings. "ISO 21100-2A7P" = Type 2, Size A (2 235 × 3 175 mm, 88 × 125 in), Configuration sequence A7, Pallet.

## 4 Performance requirements

### 4.1 Materials

The suitability and durability of materials used must be established on the basis of experience or tests. Materials must conform to approved industry specifications that ensure their having the strength and other properties specified in the design data.

### 4.2 Fabrication methods and workmanship

The methods of fabrication used shall produce a consistently sound structure. If the fabrication processes (such as gluing or heat treatment) require close control to reach their objectives, the processes must be performed under an approved process specification. Workmanship shall be consistent with high-grade aircraft manufacturing practices.

### 4.3 Protection

All components of the unit load devices shall be suitably protected against deterioration or loss of strength in service due to weathering, corrosion, abrasion or other causes where the type of material used requires such protection. The unit load device shall have provisions for ventilation or drainage where necessary for protection.

### 4.4 Construction

The unit load device shall be constructed to adequately encompass the cargo and shall provide for proper support and restraint of the cargo. All components shall be designed to withstand rough handling. The design shall minimize the possibility of improper installation. All pallet / net attachment devices shall conform with ISO 7166 track and stud configuration, for single stud fittings, or ISO 9788 for double stud fittings.

### 4.5 Marking

Each pallet, net, and container shall be legibly and permanently marked in an area clearly visible after the article is loaded with cargo, with the following information:

- a) Name and address of the manufacturer.
- b) The weight of the article to the nearest kilogram or pound, with the applicable unit.
- c) The serial number and date of manufacture.
- d) The part number of the article and its identification in the code system set out in [Clause 3.5](#).

- e) If the article is not omni-directional, the words "FORWARD", "AFT", and "SIDE" must be conspicuously and appropriately placed.
- f) The burning rate determined for the article under [Clause 4.7](#).
- g) The applicable TSO (Technical Standard Order) approval number.
- h) Any limitations or restrictions.

## 4.6 Inspection provisions

There shall be means to allow close examination of each part requiring inspection, adjustment, or lubrication.

## 4.7 Fire protection

The materials used in the construction of pallets, nets, and containers shall meet the appropriate provisions set forth in EASA CS-25 or 14 CFR Part 25 Appendix F.

## 4.8 Rapid decompression

Unit load devices shall be designed to protect the airplane structure and the occupants as result of a sudden release of pressure. The suitability of the design shall be established by analysis and / or tests or numeric simulation. See ISO 11242 for guidance as to possible methods.

## 4.9 Dimensions and tolerances

Each pallet, net and container of a given configuration shall conform to the requirements specified by the drawing for that configuration. General tolerances for all configuration drawings, unless otherwise noted, are  $\pm 0,01$  mm for two places decimals,  $\pm 0,1$  mm for one place decimals,  $\pm 1$  mm without a decimal (in inches:  $\pm 0,01$  for three place decimals,  $\pm 0,03$  for two place decimals,  $\pm 0,1$  for one place decimals).

## 4.10 Strength

### 4.10.1 Ultimate load criteria

**4.10.1.1** Ultimate loads for each unit load device configuration are specified in the page defining that configuration. These loads shall be considered as acting separately, except as noted, and shall be applied in accordance with the specified centre of gravity limits, which shall be taken into account simultaneously.

**4.10.1.2** Longitudinal eccentricity is expressed in percentage of the longitudinal dimension of a pallet or container base, and it is measured from the lateral centerline of the pallet or container base. Longitudinal dimensions correspond to the forward and aft directions specified by the plan views in applicable figures.

**4.10.1.3** Lateral eccentricity is expressed in percentage of the lateral dimension of a pallet or container base, and it is measured from its longitudinal centerline. Plus and minus signs indicate forward and aft directions from the lateral centerline, and right and left directions from the longitudinal centerline of the pallet or container base respectively.

**4.10.1.4** Center of gravity height is expressed in mm (inches) above the bottom surface of pallet or container base.

#### 4.10.2 Restraint criteria

Restraint system details for each restraint condition are specified by the figure referenced in restraint drawing. Tolerances for the restraint system are the same as those specified in 4.9 for configuration drawings.

#### 4.10.3 Pallets and nets

**4.10.3.1** If a pallet (or net) is to be substantiated individually, a qualified net (or pallet) of the same configuration code may be assumed for analysis or used for test. A qualified and compatible net (or pallet) of different configuration code may be used provided it equals or exceeds the strength requirements of the pallet (or net) being substantiated. For substantiating a net, any net tensioning devices shall be engaged: a pallet needs not be used for testing, provided that all net fittings are at the locations specified in the unit load device configuration.

**4.10.3.2** Pallet edge tracks and net fittings shall conform to the geometric and tolerance requirements of ISO 7166 or, in the case of double stud fittings, ISO 9788, or equivalent with at least equal ultimate strength.

**4.10.3.3** All net fittings incorporating a single tie-down stud for attachment to pallets shall have a minimum ultimate load capacity of 8 900 N (2 000 lb) in all directions, horizontal to vertical. Double stud tie-down fittings shall have a minimum ultimate load capacity of 17 800 N (4 000 lb) in all directions, horizontal to vertical. The load application point shall be 21 mm (0,83 in) or less from the head end of the stud.

**4.10.3.4** Except where otherwise stated, all track-type tie down receptacles incorporated in the pallet construction shall have a minimum ultimate load capacity of 8 900 N (2 000 lb), or 17 800 N (4 000 lb) for a double stud receptacle, in all directions, horizontal to vertical. The load application point shall be 23 mm (0,90 in) or more from the bottom of the track groove.

**4.10.3.5** Pallet/net tie down fittings, other than stud and track type fittings, shall have a minimum ultimate load capacity of 8 900 N (2 000 lb) in all directions, horizontal to vertical.

#### 4.10.4 Base performance

**4.10.4.1** Minimum base area loads for each unit load device configuration are specified in the page defining that configuration. These loads shall be applicable to any area representing at least 10 % of the total base area, while the unit load device is supported by the aircraft system. All unit load devices (containers or pallets) bases shall have a minimum area load capacity of 10 kPa (209 lb/ft<sup>2</sup>).

**4.10.4.2** All ULD base edges shall have a minimum vertical EI value of  $5 \times 10^7$  N.cm<sup>2</sup> ( $1.75 \times 10^6$  lb.in<sup>2</sup>).

**4.10.4.3** The base edge profiles shall be rounded or chamfered in order to ensure a smooth interface with aircraft unit load device conveyance and restraint systems.

#### 4.11 Environmental degradation

The materials used in the construction of pallets, nets and containers shall take into account the effects of environment conditions, such as temperature, humidity and U.V. degradation, expected in service.

## 5 Tests

### 5.1 Test requirements

Tests and/or analysis or numeric simulation shall be conducted as necessary to show compliance with this specification.

### 5.2 Test parameters

Tests for any given ULD configuration shall be conducted using the maximum ultimate loads and centre of gravity deviations shown in this specification for that ULD configuration, with the ULD being restrained in accordance with the indicated testing restraint condition(s). Analysis or numeric simulation, if used, shall use the same assumptions.

Pallets shall be tested in combination with an approved net of the same size and configuration. Nets do not need to be tested in combination with a pallet, but their attachment fittings shall be located in accordance with the applicable ULD configuration drawing.

### 5.3 Test methods

The method(s) used for testing any ULD configuration shall ensure conformity with the testing conditions and ultimate load parameters specified for that configuration in this specification. Ultimate load shall be applied in each specified direction for a minimum duration of 3 s, in accordance with EASA CS-25 or 14 CFR Part 25 § 25.305 (b). Analysis or numeric simulation, if used, shall provide an equivalent assurance of conformity guarantee. A test and/or analysis report shall be established to record the details of the method(s) used and substantiate the results obtained.

NOTE When two ULD sides (e.g. opposite ones) and the corresponding restraint conditions are identical, testing can be performed on one side only.

### 5.4 Test results

Under ultimate load, the tested ULD or parts thereof may exhibit damage or permanent deformation, but shall not deform or rupture to the extent of discharging its contents. Analysis or numeric simulation, if used, shall confirm that the ULD would not deform or rupture to the extent its contents would be discharged under the test conditions.

## 6 Additional

### 6.1 Intended use

Type 2 nets, pallets, and containers (ULDs) described in this specification are intended for use only in an approved aircraft cargo compartment and restraint system where compliance with the 9,0 g forward ultimate inertia force of EASA CS-25 or 14 CFR Part 25 § 25.561 (b)(3)(ii) is achieved either by supplementary installation of a barrier net or bulkhead, or by specified approved placement of the ULD in the aircraft.

NOTE Type 1 unit load devices (ULDs) are not shown in this specification. Refer to ISO 8097:2001 (NAS 3610 revision 10).

### 6.2 Unit load device capacities

Maximum gross weight capacities are not shown for the unit load devices covered by this specification. Actual gross weight limits for devices in a given airplane are determined in compliance with EASA CS-25 or 14 CFR Part 25 and listed in the Approved Weight and Balance Manual for that airplane.

### 6.3 Container contours

Performance and testing parameters are independent from container contours, which hence are not shown in this specification. Maximum allowable container contours shall provide clearance from the relevant aircraft cargo compartment's inner envelope. Guidelines for this purpose are provided in ISO 10046.

### 6.4 Pallet configurations

Pallet configuration drawings indicate net attachment points. Continuous edge track is allowable all around the pallet's periphery, except where differently noted.

## 7 Unit load device configurations

7.1 Unit load devices configurations, characteristics, and ultimate load capacities shall conform to the relevant ULD configuration page of this specification.

NOTE The net attachment points shown on ULD configuration drawings do not, or not entirely, apply to containers.

7.2 ULD configuration pages are listed in [Table 1](#) hereafter (configuration drawings are not on scale):

**Table 1 — ULD configurations**

ULD configuration (UC)	Type	Applicable to:			Nominal base dimensions mm (inches)	Min. base area load kPa (lb/ft <sup>2</sup> )	Page
		C	P	N			
<b>A7</b>	2	X	X	X	2 235 × 3 175 (88 × 125)	10 (209)	10
<b>A8</b>	2	X	X	X	2 235 × 3 175 (88 × 125)	10 (209)	11
<b>B7</b>	2	X	X	X	2 235 × 2 743 (88 × 108)	10 (209)	12
<b>B8</b>	2	X	X	X	2 235 × 2 743 (88 × 108)	10 (209)	13
<b>G1</b>	2	X	X	X	2 438 × 6 058 (96 × 238,5)	20 (418)	14
<b>K4</b>	2	X	X	X	1 534 × 1 562 (60,4 × 61,5)	10 (209)	15
<b>L5</b>	2	X	X	X	1 534 × 3 175 (60,4 × 125)	10 (209)	16
<b>L6</b>	2		X	X	1 534 × 3 175 (60,4 × 125)	10 (209)	17
<b>M4</b>	2	X	X	X	2 438 × 3 175 (96 × 125)	10 (209)	18
<b>M5</b>	2	X	X	X	2 438 × 3 175 (96 × 125)	10 (209)	19
<b>N1</b>	2	X	X	X	1 562 × 2 438 (61,5 × 96)	10 (209)	20
<b>P1</b>	2	X			1 198 × 1 534 (47 × 60,4)	10 (209)	21
<b>Q1</b>	2	X			1 534 × 2 438 (60,4 × 96)	10 (209)	22
<b>R1</b>	2	X	X	X	2 438 × 4 978 (96 × 196)	20 (418)	23
<b>S1</b>	2	X	X	X	1 562 × 2 235 (61,5 × 88)	10 (209)	24

NOTE ULD configuration sequence codes A7, A8, B7, B8, K4, L5, L6, M4, M5 were assigned in order to differentiate from former ISO 8097 (NAS 3610) ULD configurations, with non-identical maximum C.G. eccentricities and/or with non-identical lateral ultimate load criteria.

**ULD CONFIGURATION A7**

Nominal base size 2 235 × 3 175 mm (88 × 125 in) - Type 2

Applicable to: Containers, Pallets, Nets Minimum base area load: 10 kPa (209 lb/ft<sup>2</sup>)

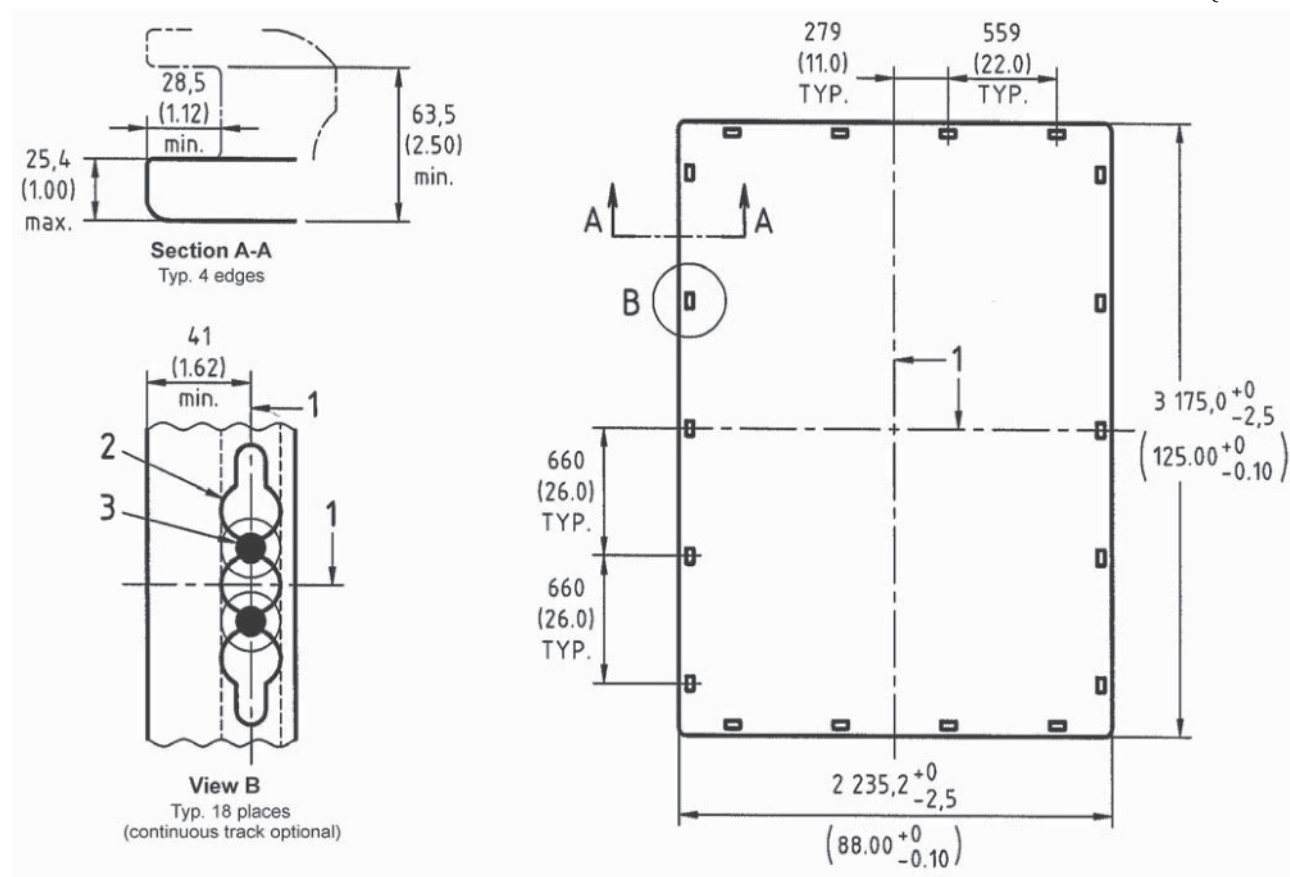
**Table A7 — Ultimate load criteria**

Ultimate loads N (lb)				CG height mm (in) <sup>a</sup>		CG eccentricity %	
Forward <sup>b</sup>	Aft <sup>b</sup>	Side <sup>b</sup>	Up	Down	Maximum	Longitudinal	Lateral
100 000 (22 500)	100 000 (22 500)	100 000 (22 500)	169 000 (38 000)	340 000 (76 500)	1 219 (48)	±10	±10

<sup>a</sup> = for containers and nets, 55 % of maximum height, limited to the maximum shown  
<sup>b</sup> = in combination with a download equal to the forward load

**Configuration drawing**

Dimensions in millimetres (inches)



**Key**

- 1 centre line
- 2 ISO 7166 track
- 3 net fitting

**Applicable testing restraint condition**

**RC A1** (see [Clause 8](#))



## ULD CONFIGURATION A8

Nominal base size 2 235 × 3 175 mm (88 × 125 in) - Type 2

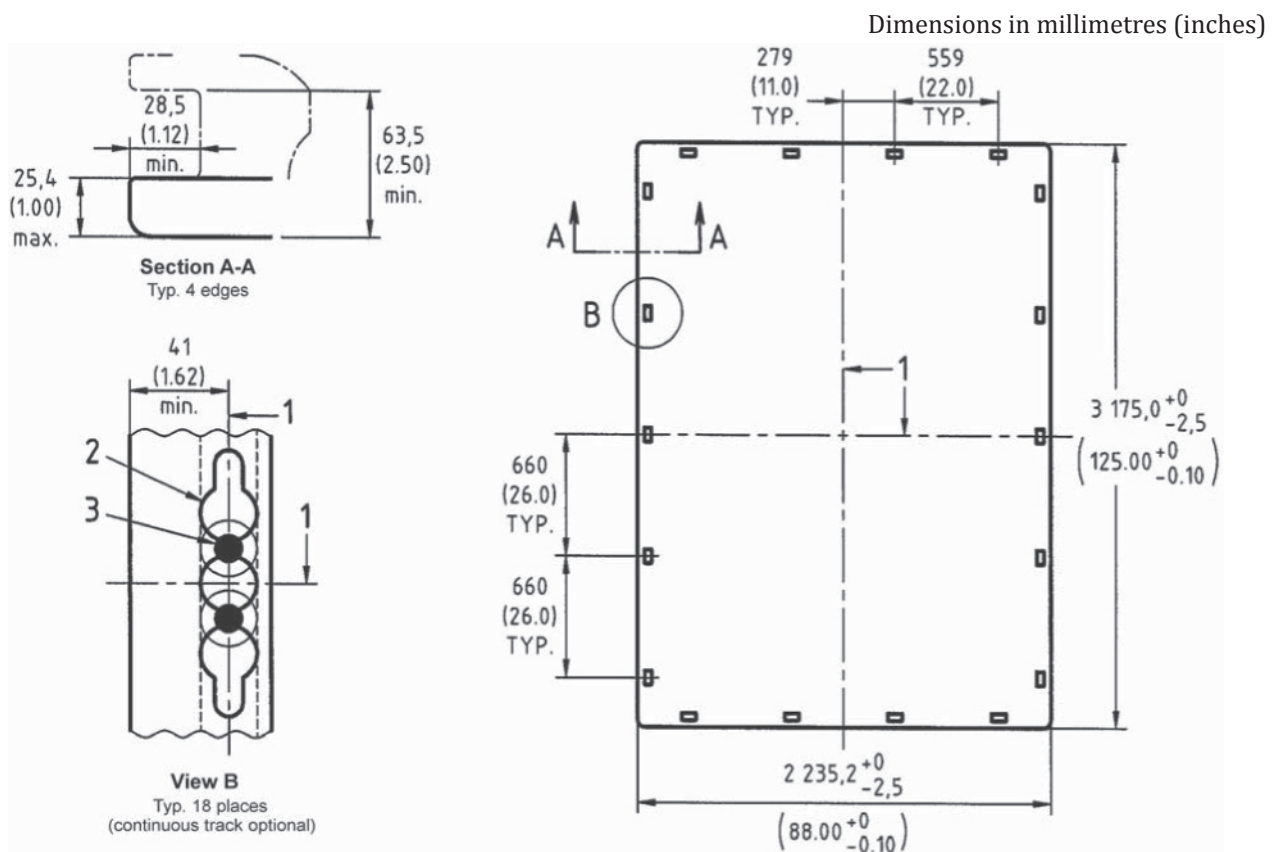
Applicable to: Containers, Pallets Minimum base area load: 10 kPa (209 lb/ft<sup>2</sup>)

**Table A8 — Ultimate load criteria**

Ultimate loads N (lb)				CG height mm (in) <sup>a</sup>		CG eccentricity %	
Forward <sup>b</sup>	Aft <sup>b</sup>	Side <sup>b</sup>	Up	Down	Maximum	Longitudinal	Lateral
55 600	55 600	55 600	100 000	188 600	915	±10	±10
(12 500)	(12 500)	(12 500)	(22 500)	(42 400)	(36)		

<sup>a</sup> = for containers and nets, 55 % of maximum height, limited to the maximum shown.  
<sup>b</sup> = in combination with a download equal to the forward load.

### Configuration drawing



### Key

- 1 centre line
- 2 ISO 7166 track
- 3 net fitting

### Applicable testing restraint condition

RC A2 (see [Clause 8](#))

**ULD CONFIGURATION B7**

Nominal base size 2 235 × 2 743 mm (88 × 108 in) - Type 2

Applicable to: Containers, Pallets, Nets Minimum base area load: 10 kPa (209 lb/ft<sup>2</sup>)

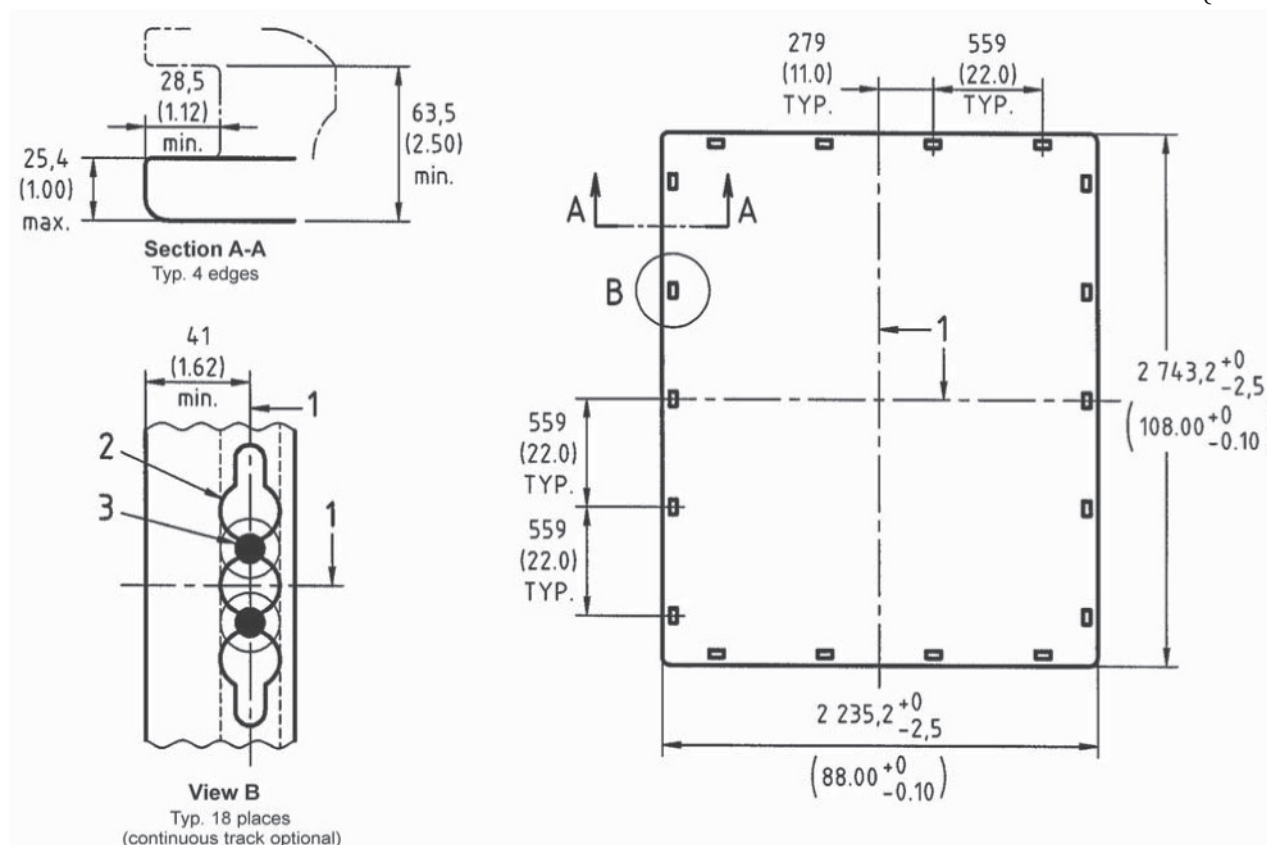
**Table B7 — Ultimate load criteria**

Ultimate loads N (lb)				CG height mm (in) <sup>a</sup>		CG eccentricity %	
Forward <sup>b</sup>	Aft <sup>b</sup>	Side <sup>b</sup>	Up	Down	Maximum	Longitudinal	Lateral
87 000	87 000	87 000	147 000	294 000	1 219	±10	±10
(19 500)	(19 500)	(19 500)	(33 000)	(66 000)	(48)		

<sup>a</sup> = for containers and nets, 55 % of maximum height, limited to the maximum shown.  
<sup>b</sup> = in combination with a download equal to the forward load.

**Configuration drawing**

Dimensions in millimetres (inches)



**Key**

- 1 centre line
- 2 ISO 7166 track
- 3 net fitting

**Applicable testing restraint condition**

RC A1 (see [Clause 8](#))

### ULD CONFIGURATION B8

Nominal base size 2 235 × 2 743 mm (88 × 108 in) - Type 2

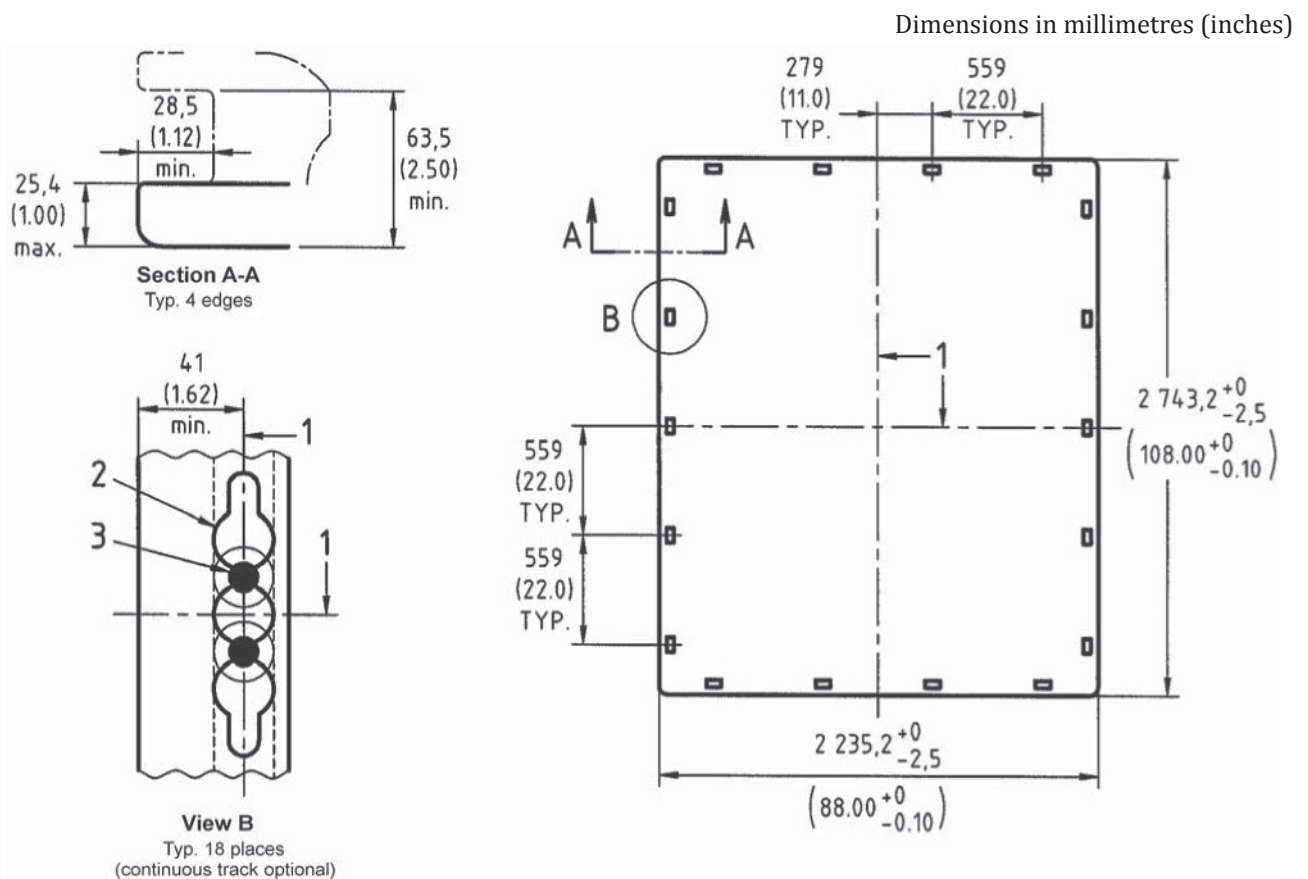
Applicable to: Containers, Pallets Minimum base area load: 10 kPa (209 lb/ft<sup>2</sup>)

**Table B8 — Ultimate load criteria**

Ultimate loads N (lb)				CG height mm (in) <sup>a</sup>		CG eccentricity %	
Forward <sup>b</sup>	Aft <sup>b</sup>	Side <sup>b</sup>	Up	Down	Maximum	Longitudinal	Lateral
55 600	55 600	55 600	100 000	188 600	915	±10	±10
(12 500)	(12 500)	(12 500)	(25 200)	(42 400)	(36)		

<sup>a</sup> = for containers and nets, 55 % of maximum height, limited to the maximum shown.  
<sup>b</sup> = in combination with a download equal to the forward load.

### Configuration drawing



#### Key

- 1 centre line
- 2 ISO 7166 track
- 3 net fitting

### Applicable testing restraint condition

RC A2 (see [Clause 8](#))

**ULD CONFIGURATION G1**

Nominal base size 2 438 × 6 058 mm (96 × 238,5 in) - Type 2

Applicable to: Containers, Pallets, Nets Minimum base area load: 20 kPa (418 lb/ft<sup>2</sup>)

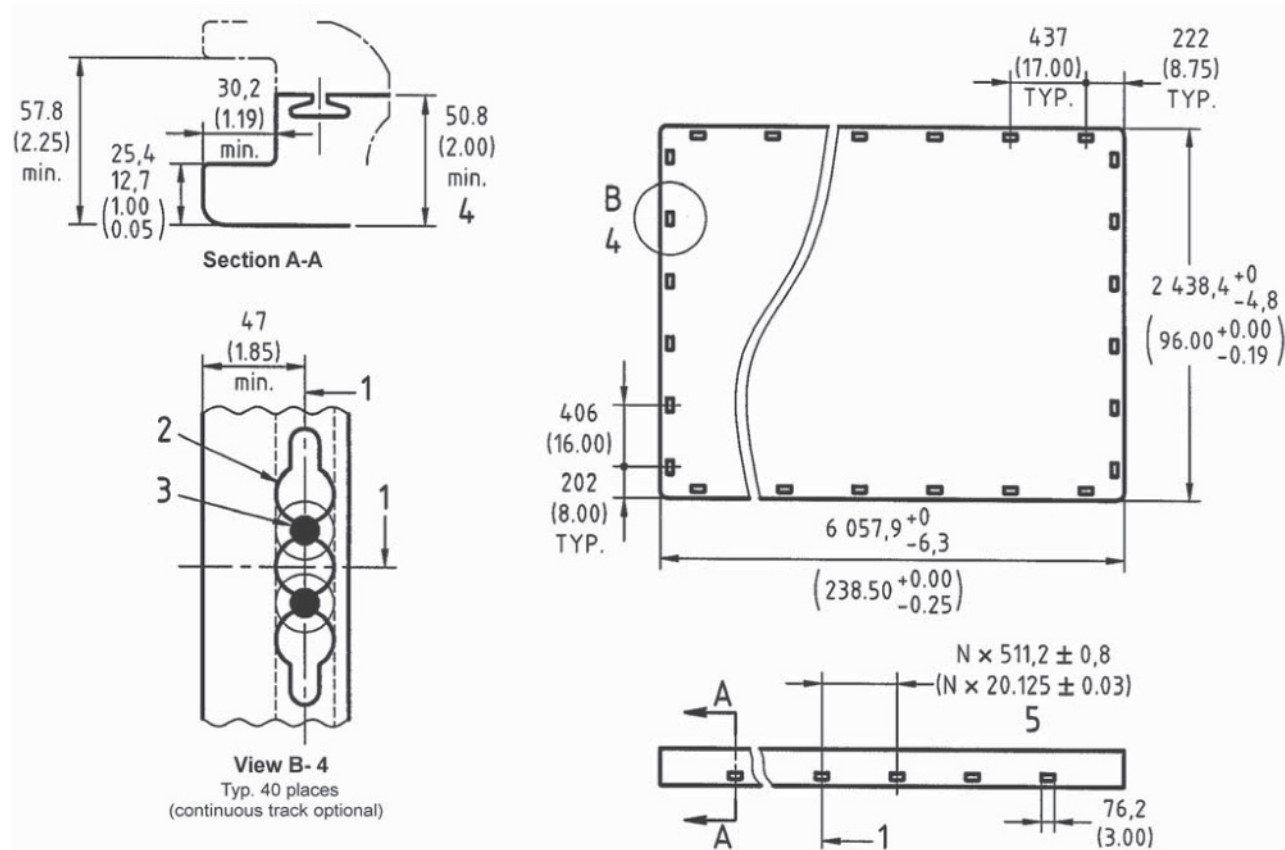
**Table G1 — Ultimate load criteria**

Ultimate loads N (lb)				CG height mm (in)		CG eccentricity %	
Forward <sup>a</sup>	Aft <sup>a</sup>	Side <sup>a</sup>	Up	Down	Maximum	Longitudinal	Lateral
167 000	167 000	167 000	278 000	556 000	1219	±5	±10
(37 500)	(37 500)	(37 500)	(62 500)	(125 000)	(48)		

<sup>a</sup> = in combination with a download equal to 2/3 of the forward load

**Configuration drawing**

Dimensions in millimetres (inches)



**Key**

- 1 centre line
- 2 ISO 7166 track
- 3 net fitting
- 4 applies to net and pallet only
- 5 N = any integer

**Applicable testing restraint condition**

**RC G** (see [Clause 8](#))

## ULD CONFIGURATION K4

Nominal base size 1 534 × 1 562 mm (60,4 × 61,5 in) - Type 2

Applicable to: Containers, Pallets, Nets Minimum base area load: 10 kPa (209 lb/ft<sup>2</sup>)

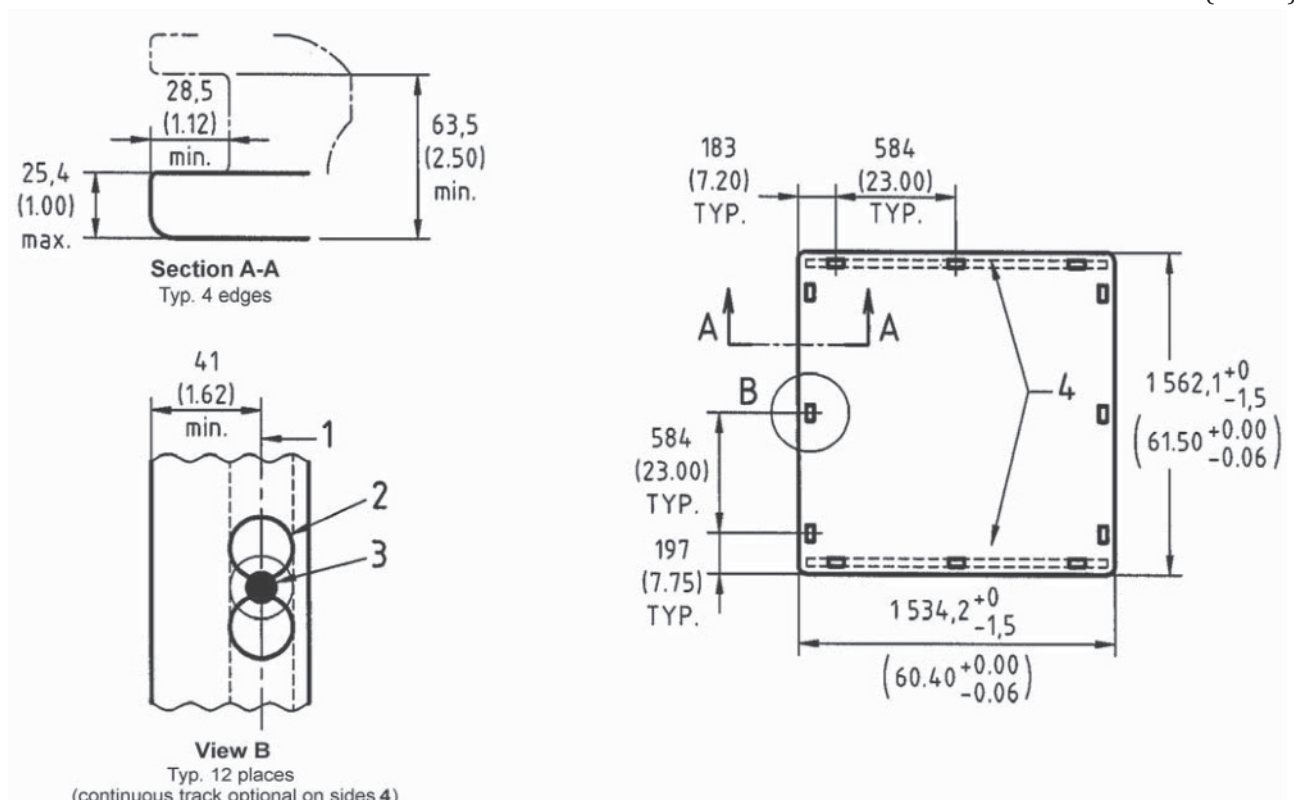
**Table K4 — Ultimate load criteria**

Ultimate loads N (lb)				CG height mm (in) <sup>a</sup>		CG eccentricity %	
Forward <sup>b</sup>	Aft <sup>b</sup>	Side <sup>b</sup>	Up	Down	Maximum	Longitudinal	Lateral
23 350	23 350	23 350	43 600	79 400	864	±10	±10
(5 250)	(5 250)	(5 250)	(9 800)	(17 850)	(34)		

<sup>a</sup> = for containers and nets, 55 % of maximum height, limited to the maximum shown  
<sup>b</sup> = in combination with a download equal to the forward load

### Configuration drawing

Dimensions in millimetres (inches)



### Key

- 1 centre line
- 2 ISO 7166 track
- 3 net fitting single stud only
- 4 continuous track optional on these sides only

### Applicable testing restraint condition

RC K (see [Clause 8](#))

**ULD CONFIGURATION L5**

Nominal base size 1 534 × 3 175 mm (60,4 × 125 in) - Type 2

Applicable to: Containers, Pallets, Nets Minimum base area load: 10 kPa (209 lb/ft<sup>2</sup>)

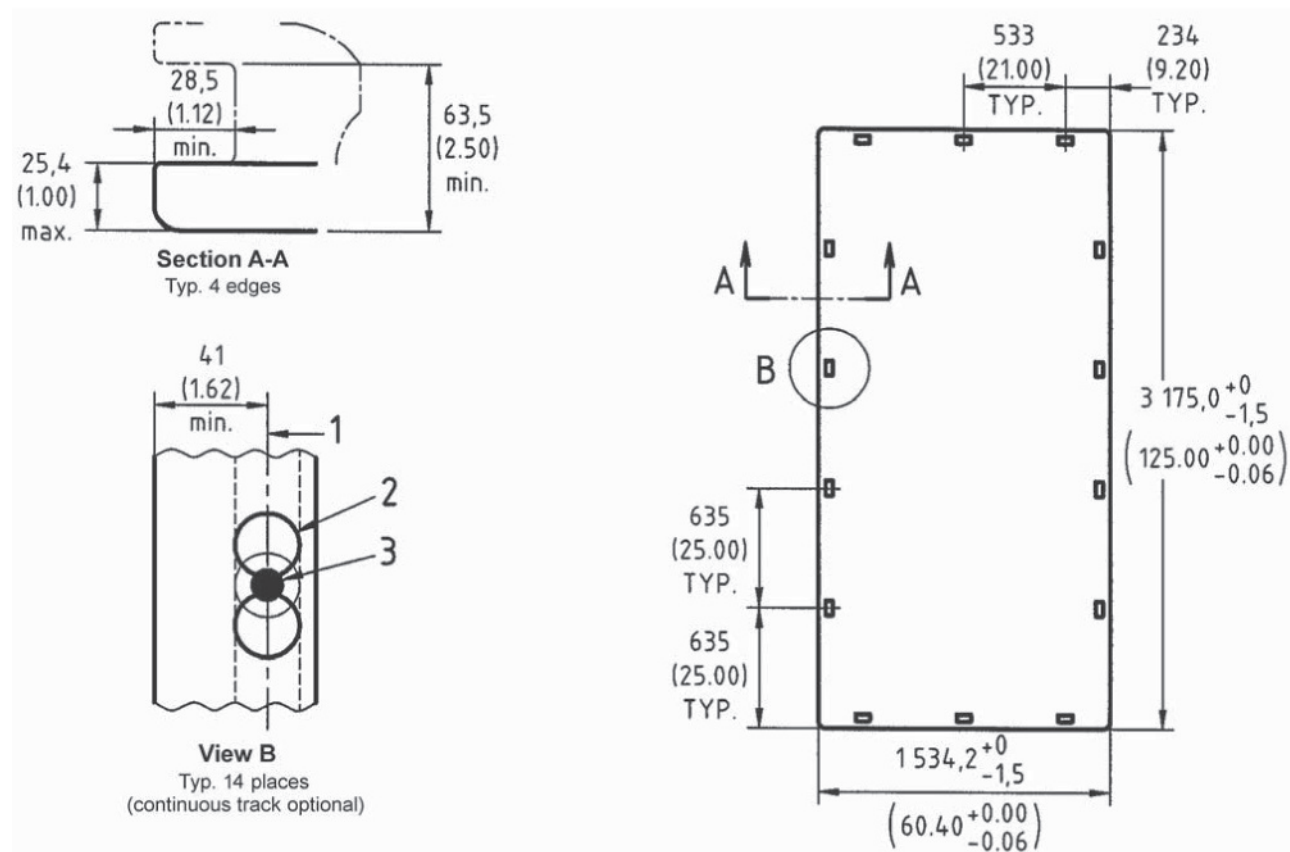
**Table L5 — Ultimate load criteria**

Ultimate loads N (lb)				CG height mm (in)		CG eccentricity %	
Forward <sup>a</sup>	Aft <sup>a</sup>	Side <sup>a</sup>	Up	Down	Maximum	Longitudinal	Lateral
46 700	46 700	46 700	87 200	158 800	864	±10	±10
(10 500)	(10 500)	(10 500)	(19 600)	(35 700)	(34)		

<sup>a</sup> = in combination with a download equal to the forward load

**Configuration drawing**

Dimensions in millimetres (inches)



**Key**

- 1 centre line
- 2 ISO 7166 track
- 3 net fitting single stud only

**Applicable testing restraint condition**

RC L (see [Clause 8](#))

## ULD CONFIGURATION L6

Nominal base size 1 534 × 3 175 mm (60,4 × 125 in) - Type 2

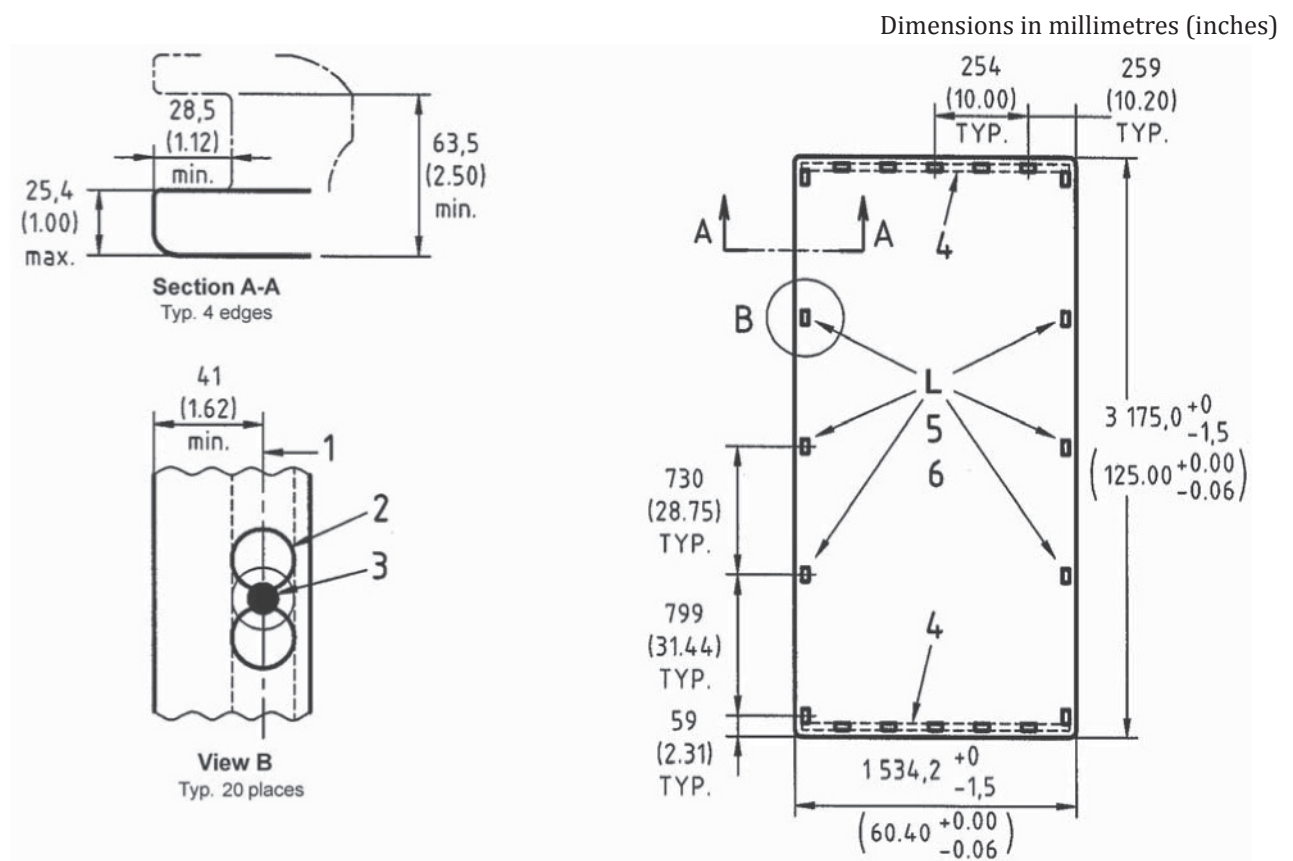
Applicable to: Pallets, Nets Minimum base area load: 10 kPa (209 lb/ft<sup>2</sup>)

**Table L6 — Ultimate load criteria**

Ultimate loads N (lb)				CG height mm (in)		CG eccentricity %	
Forward <sup>a</sup>	Aft <sup>a</sup>	Side <sup>a</sup>	Up	Down	Maximum	Longitudinal	Lateral
46 700	46 700	46 700	87 200	158 800	864	±10	±10
(10 500)	(10 500)	(10 500)	(19 600)	(35 700)	(34)		

<sup>a</sup> = in combination with a download equal to the forward load

### Configuration drawing



### Key

- 1 centre line
- 2 ISO 7166 track
- 3 net fitting single stud only
- 4 continuous track optional on 1 534 mm (60,4 in) sides only
- 5 tie-down receptacles incorporated in the pallet construction at locations L shall have an ultimate load upward capacity of 3 300 N (750 lb) maximum
- 6 for the ultimate upward load condition, the 3 300 N (750 lb) upward loads shall be considered acting simultaneously on all six locations L. Under this condition, the pallet shall not disengage from the aircraft restraints

### Applicable testing restraint condition

RC L (see [Clause 8](#))



### ULD CONFIGURATION M4

Nominal base size 2 438 × 3 175 mm (96 × 125 in) - Type 2

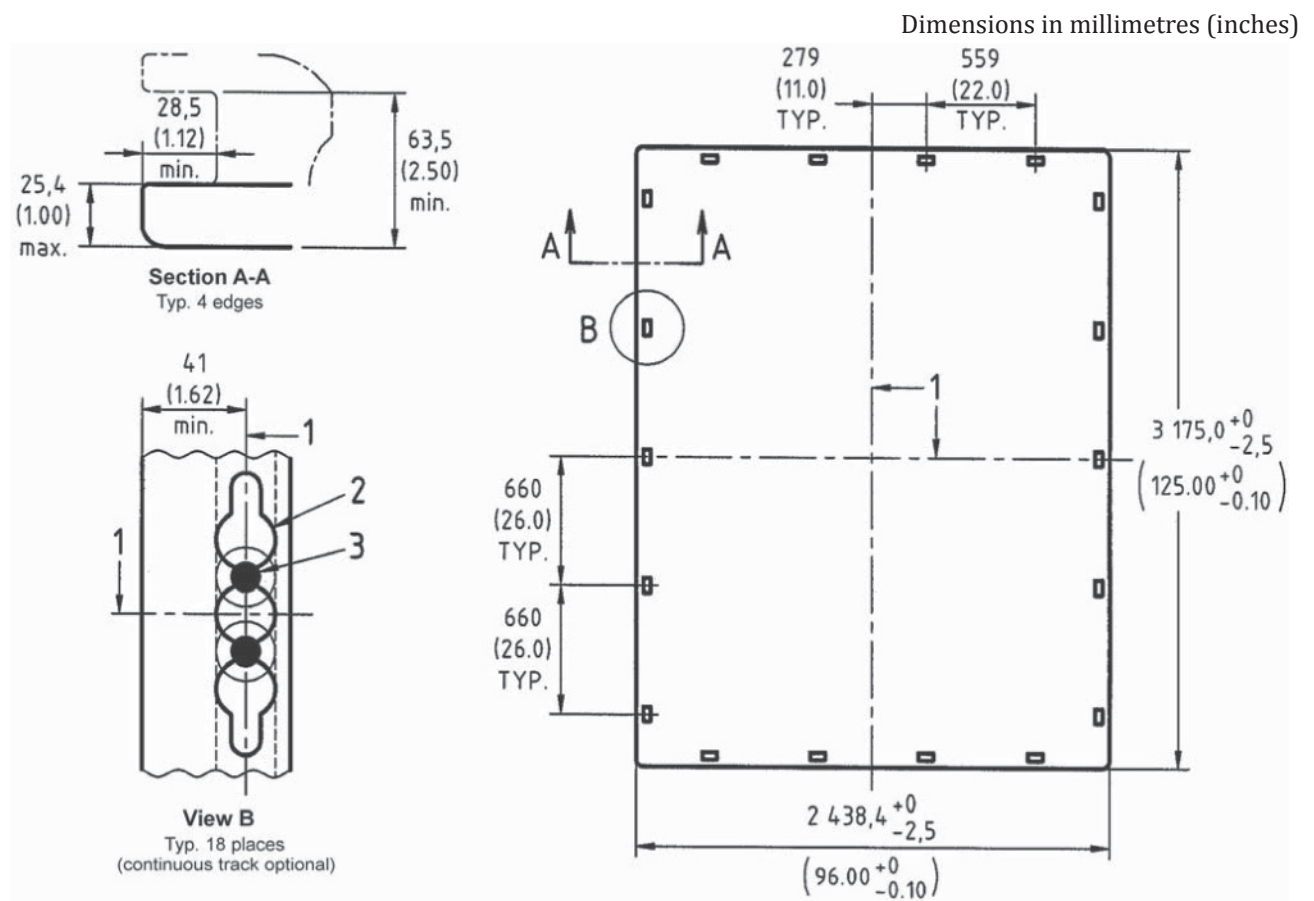
Applicable to: Containers, Pallets, Nets Minimum base area load: 10 kPa (209 lb/ft<sup>2</sup>)

**Table M4 — Ultimate load criteria**

Ultimate loads N (lb)				CG height mm (in) <sup>a</sup>		CG eccentricity %	
Forward <sup>b</sup>	Aft <sup>b</sup>	Side <sup>b</sup>	Up	Down	Maximum	Longitudinal	Lateral
100 000	100 000	100 000	169 000	340 000	1 219	±10	±10
(22 500)	(22 500)	(22 500)	(38 000)	(76 500)	(48)		

<sup>a</sup> = for containers and nets, 55 % of maximum height, limited to the maximum shown.  
<sup>b</sup> = in combination with a download equal to the forward load.

### Configuration drawing



### Key

- 1 centre line
- 2 ISO 7166 track
- 3 net fitting

### Applicable testing restraint condition

RC A1 (see [Clause 8](#))

**ULD CONFIGURATION M5**

Nominal base size 2 438 × 3 175 mm (96 × 125 in) - Type 2

Applicable to: Containers, Pallets Minimum base area load: 10 kPa (209 lb/ft<sup>2</sup>)

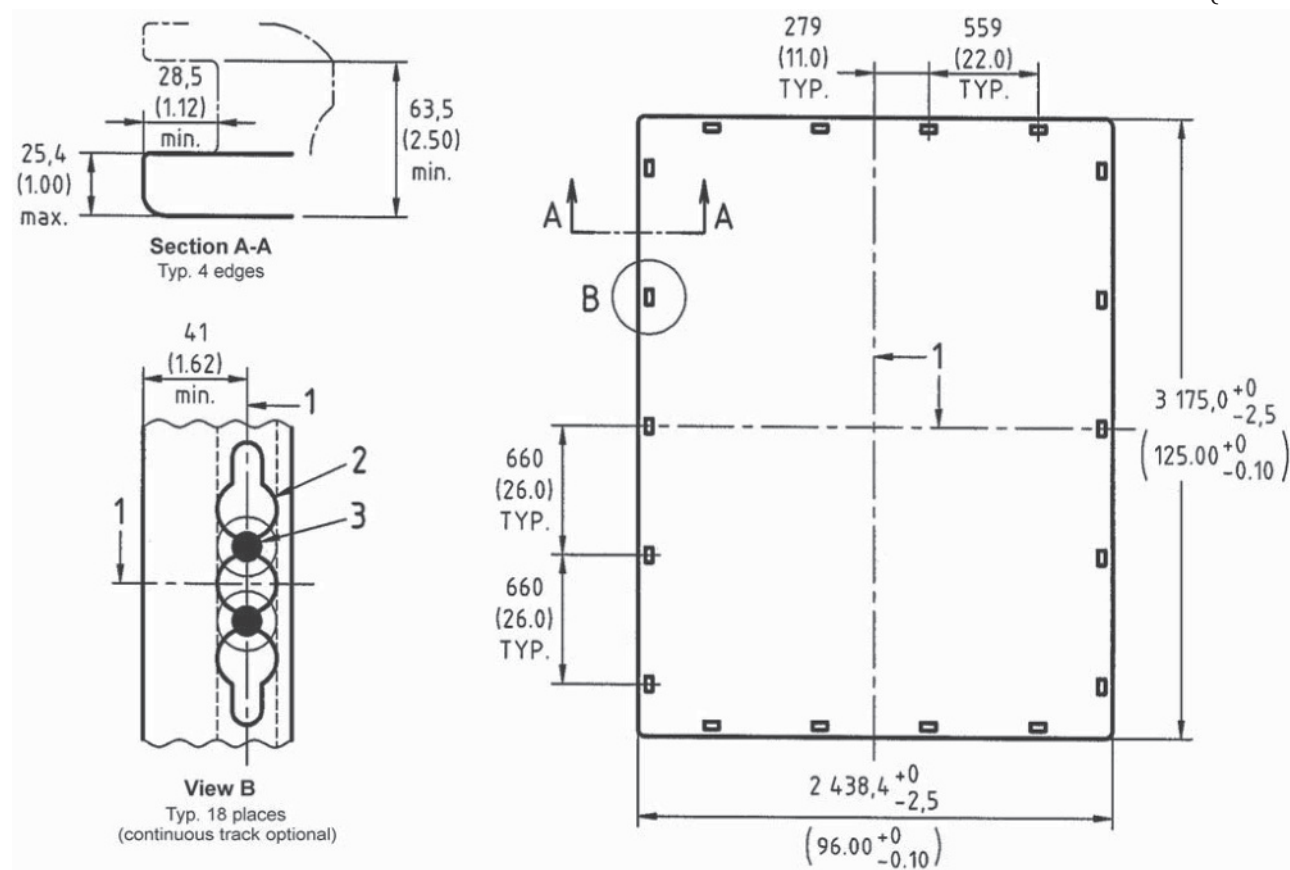
**Table M5 — Ultimate load criteria**

Ultimate loads N (lb)				CG height mm (in) <sup>a</sup>		CG eccentricity %	
Forward <sup>b</sup>	Aft <sup>b</sup>	Side <sup>b</sup>	Up	Down	Maximum	Longitudinal	Lateral
60 000	60 000	60 000	112 000	200 000	915	±10	±10
(13 500)	(13 500)	(13 500)	(25 200)	(45 900)	(36)		

<sup>a</sup> = for containers and nets, 55 % of maximum height, limited to the maximum shown.  
<sup>b</sup> = in combination with a download equal to the forward load.

**Configuration drawing**

Dimensions in millimetres (inches)



**Key**

- 1 centre line
- 2 ISO 7166 track
- 3 net fitting

**Applicable testing restraint condition**

**RC A2** (see [Clause 8](#))

**ULD CONFIGURATION N1**

Nominal base size 1 562 × 2 438 mm (61,5 × 96 in) - Type 2

Applicable to: Containers, Pallets, Nets Minimum base area load: 10 kPa (209 lb/ft<sup>2</sup>)

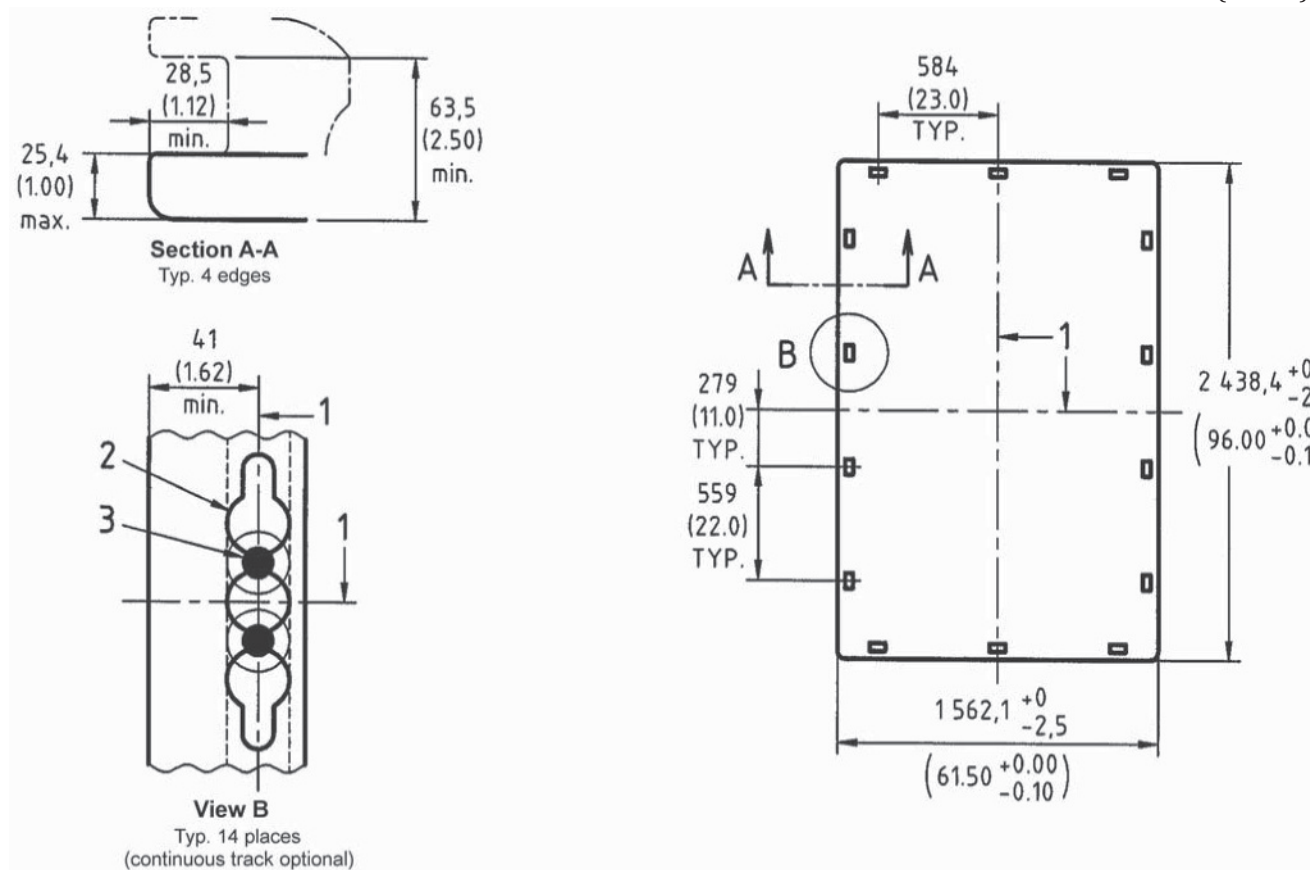
**Table N1 — Ultimate load criteria**

Ultimate loads N (lb)				CG height mm (in) <sup>a</sup>		CG eccentricity %	
Forward <sup>b</sup>	Aft <sup>b</sup>	Side <sup>b</sup>	Up	Down	Maximum	Longitudinal	Lateral
50 000	50 000	50 000	84 500	170 000	1 219	±10	±10
(11 250)	(11 250)	(11 250)	(19 000)	(38 250)	(48)		

<sup>a</sup> = for containers and nets, 55 % of maximum height, limited to the maximum shown.  
<sup>b</sup> = in combination with a download equal to the forward load.

**Configuration drawing**

Dimensions in millimetres (inches)



**Key**

- 1 centre line
- 2 ISO 7166 track
- 3 net fitting

**Applicable testing restraint condition**

RC N (see [Clause 8](#))

**ULD CONFIGURATION P1**

Nominal base size 1 198 × 1 534 mm (47 × 60,4 in) - Type 2

Applicable to: Containers      Minimum base area load: 10 kPa (209 lb/ft<sup>2</sup>)

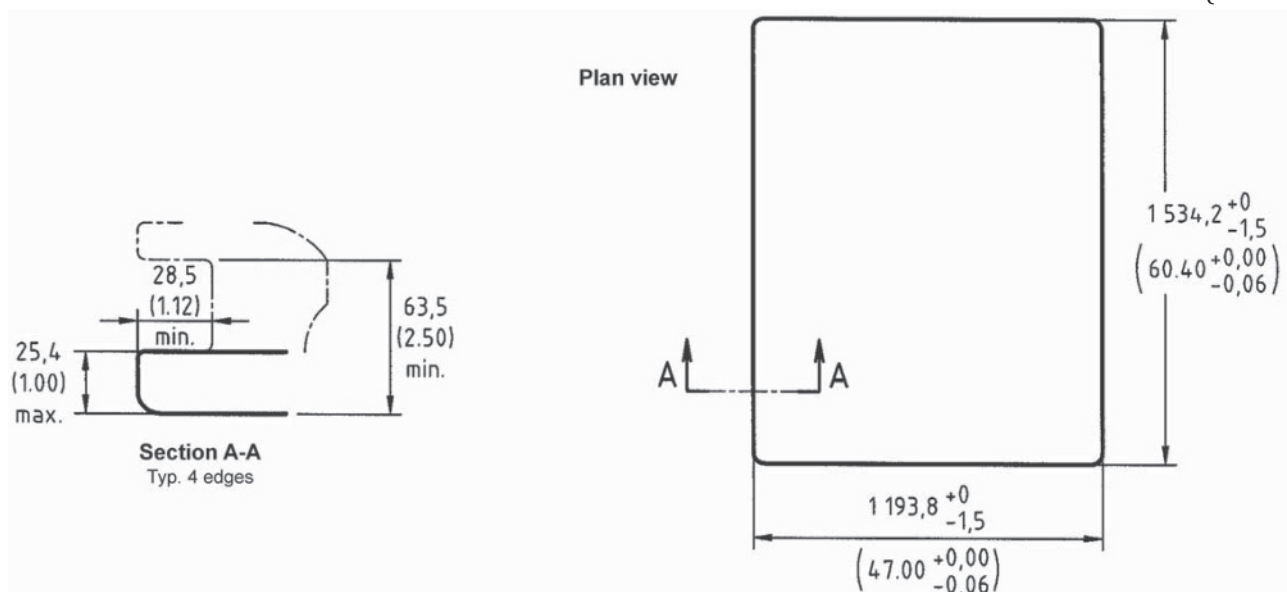
**Table P1 — Ultimate load criteria**

Ultimate loads N (lb)				CG height mm (in)		CG eccentricity %	
Forward <sup>a</sup>	Aft <sup>a</sup>	Side <sup>a</sup>	Up	Down	Maximum	Longitudinal	Lateral
18 000	18 000	18 000	33 600	61 250	864	±10	±10
(4 050)	(4 050)	(4 050)	(7 550)	(13 750)	(34)		

<sup>a</sup> = in combination with a download equal to the forward load

**Configuration drawing**

Dimensions in millimetres (inches)



**Applicable testing restraint condition**

RC P (see [Clause 8](#))

### ULD CONFIGURATION Q1

Nominal base size 1 534 × 2 438 mm (60,4 × 96 in) - Type 2

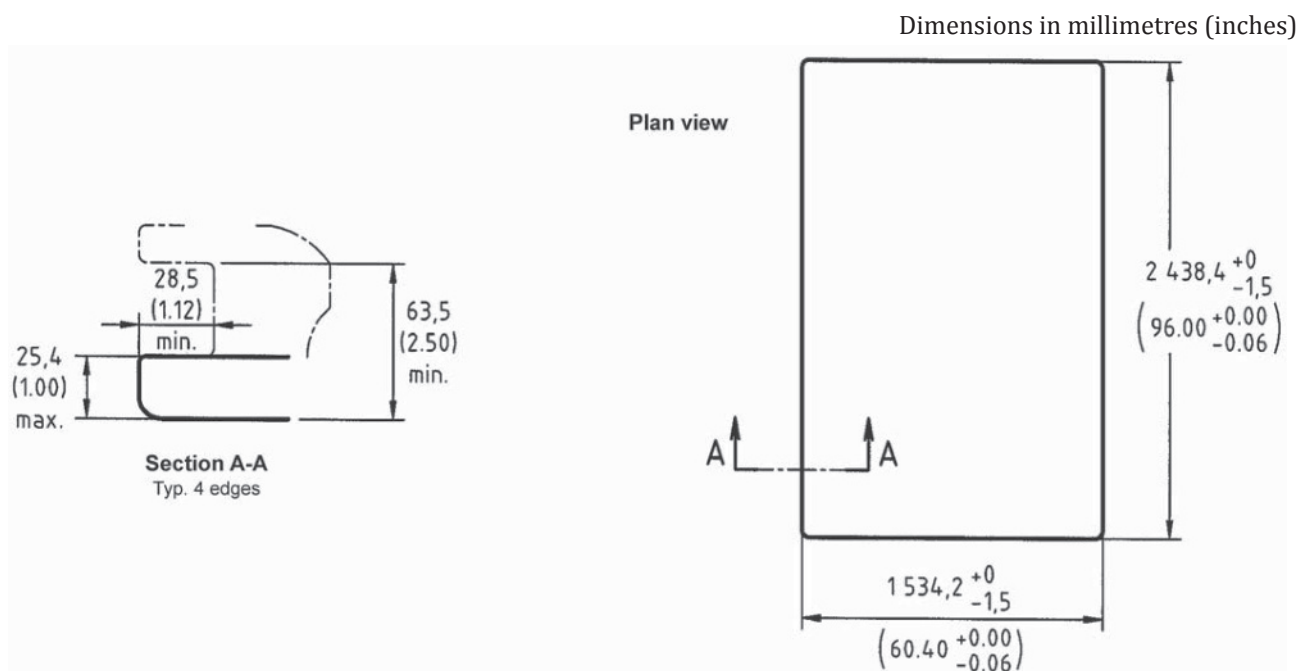
Applicable to: Containers Minimum base area load: 10 kPa (209 lb/ft<sup>2</sup>)

**Table Q1 — Ultimate load criteria**

Ultimate loads N (lb)				CG height mm (in)		CG eccentricity %	
Forward <sup>a</sup>	Aft <sup>a</sup>	Side <sup>a</sup>	Up	Down	Maximum	Longitudinal	Lateral
36 000	36 000	36 000	67 200	122 500	864	±10	±10
(8 100)	(8 100)	(8 100)	(15 100)	(27 500)	(34)		

<sup>a</sup> = in combination with a download equal to the forward load

### Configuration drawing



### Applicable testing restraint condition

RC Q (see [Clause 8](#))

**ULD CONFIGURATION R1**

Nominal base size 2 438 × 4 978 mm (96 × 196 in) - Type 2

Applicable to: Containers, Pallets, Nets Minimum base area load: 20 kPa (418 lb/ft<sup>2</sup>)

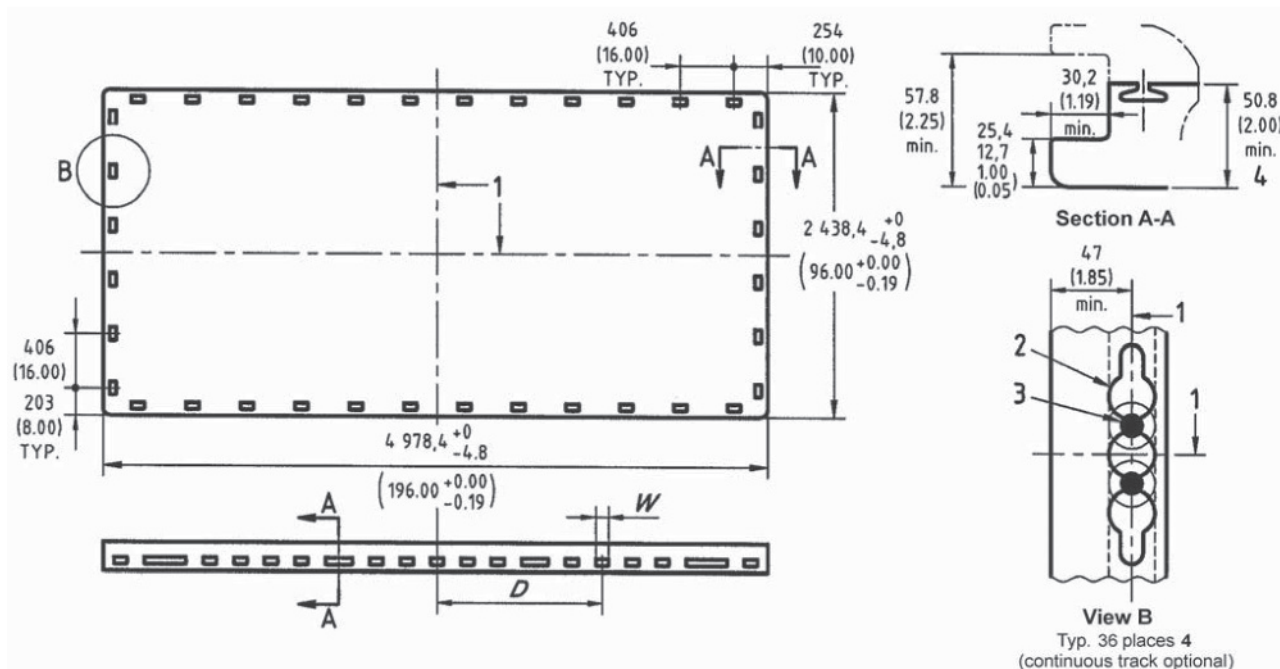
**Table R1 — Ultimate load criteria**

Ultimate loads N (lb)				CG height mm (in)		CG eccentricity %	
Forward <sup>a</sup>	Aft <sup>a</sup>	Side <sup>a</sup>	Up	Down	Maximum	Longitudinal	Lateral
167 000	167 000	167 000	278 00	556 000	1 219	±10	±10
(37 500)	(37 500)	(37 500)	(62 500)	(125 000)	(48)		

<sup>a</sup> = in combination with a download equal to 2/3 of the forward load

**Configuration drawing**

Dimensions in millimetres (inches)



**Key**

- 1 centre line
- 2 ISO 7166 track
- 3 net fitting
- 4 applies to net and pallet only (continuous track optional)

<b>D</b>	ULD c/l to slot c/l	mm	0	215,9	511,2	733,4	1022,3	1026,5	1409,7	1533,5	1832,0	2044,7
		(in)	0,000	8,500	20,125	28,825	40,250	47,500	55,500	60,375	72,125	80,500
<b>W</b>	Width of slot	mm	76,2 <sup>a</sup>	101,6 <sup>b</sup>	76,2 <sup>a</sup>	171,4 <sup>b</sup>	76,2 <sup>a</sup>	101,6 <sup>b</sup>	76,2 <sup>a</sup>	76,2 <sup>a</sup>	260,3 <sup>b</sup>	76,2 <sup>a</sup>
		(in)	3,00 <sup>a</sup>	4,00 <sup>b</sup>	3,00 <sup>a</sup>	6,75 <sup>b</sup>	3,00 <sup>a</sup>	4,00 <sup>b</sup>	3,00 <sup>a</sup>	3,00 <sup>a</sup>	10,25 <sup>a</sup>	3,00 <sup>a</sup>
	Load carrying blocks:		both	neither	both	neither	both	neither	neither	both	neither	both

<sup>a</sup> + 0.5 / - 0 (+ .02 / - .0)

<sup>b</sup> MIN. only

**Applicable testing restraint condition**

**RC G and R** (see [Clause 8](#))

**ULD CONFIGURATION S1**

Nominal base size 1 562 × 2 235 mm (61,5 × 88 in) - Type 2

Applicable to: Containers, Pallets, Nets Minimum base area load: 10 kPa (209 lb/ft<sup>2</sup>)

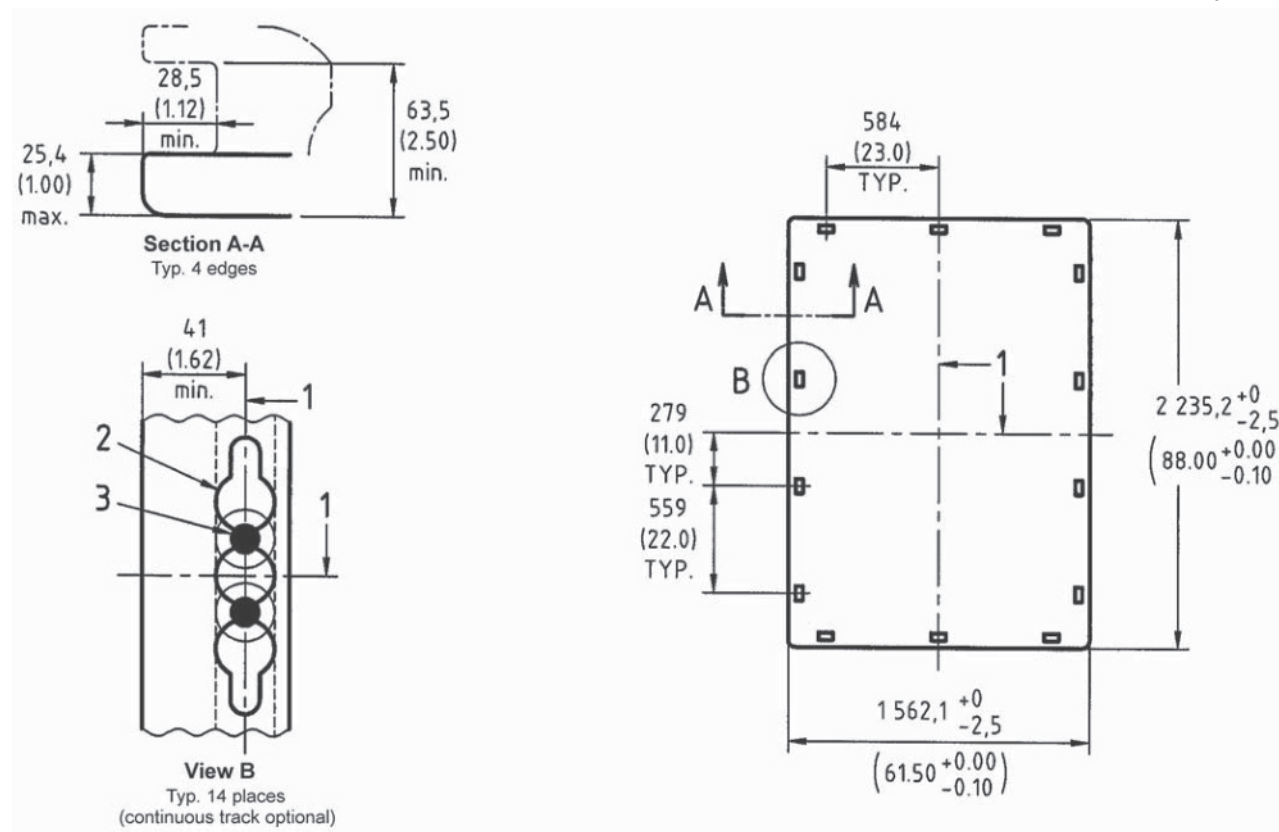
**Table S1 — Ultimate load criteria**

Ultimate loads N (lb)				CG height mm (in) <sup>a</sup>		CG eccentricity %	
Forward <sup>b</sup>	Aft <sup>b</sup>	Side <sup>b</sup>	Up	Down	Maximum	Longitudinal	Lateral
50 000	50 000	50 000	84 500	170 000	1 219	±10	±10
(11 250)	(11 250)	(11 250)	(19 000)	(38 250)	(48)		

<sup>a</sup> = for containers and nets, 55 % of maximum height, limited to the maximum shown.  
<sup>b</sup> = in combination with a download equal to the forward load.

**Configuration drawing**

Dimensions in millimetres (inches)



**Key**

- 1 centre line
- 2 ISO 7166 track
- 3 net fitting

**Applicable testing restraint condition**

RC N (see [Clause 8](#))



## 8 Testing restraint conditions

The typical testing restraint conditions specified in this specification were selected based on worst testing case analysis. They shall be used for testing the corresponding unit load devices configurations, and analysis or numeric simulation, if used, shall use the same assumptions.

Testing restraint condition pages are listed in [Table 2](#) hereafter (restraint drawings are not on scale):

**Table 2 — Testing restraint conditions**

Restraint condition (RC)	ULD (RC)	Nominal base dimensions mm (inches)	Upper deck	Main deck	Lower deck	Length wise <sup>a</sup>	Cross wise <sup>b</sup>	page
RC A1	A	2,235 × 3,175 (88 × 125)	X	X		X	X	27
RC A1	B	2,235 × 2,743 (88 × 108)	X	X		X	X	27
RC A1	M	2,438 × 3,175 (96 × 125)	X	X		X	X	27
RC A2	A	2,235 × 3,175 (88 × 125)			X	X	X	28
RC A2	B	2,235 × 2,743 (88 × 108)			X	X	X	28
RC A2	M	2,438 × 3,175 (96 × 125)			X	X	X	28
RC G	G	2 438 × 6 058 (96 × 238,5)		X		X		29
RC G	R	2 438 × 4 978 (96 × 196)	X	X		X		29
RC K	K	1 534 × 1 562 (60,4 × 61,5)			X		X	30
RC L	L	1 534 × 3 175 (60,4 × 125)			X		X	31
RC N	N	1 562 × 2 438 (61,5 × 96)	X	X	X	X	X	32
RC N	S	1 562 × 2 235 (61,5 × 88)	X	X	X	X	X	32
RC P	P	1 194 × 1 534 (47 × 60,4)			X		X	33
RC Q	Q	1 534 × 2 436 (60,4 × 96)			X		X	34
RC R	R	2 438 × 4 978 (96 × 196)		X			X	35

<sup>a</sup> = with longest dimension parallel to aircraft centreline.

<sup>b</sup> = with longest dimension perpendicular to aircraft centreline.

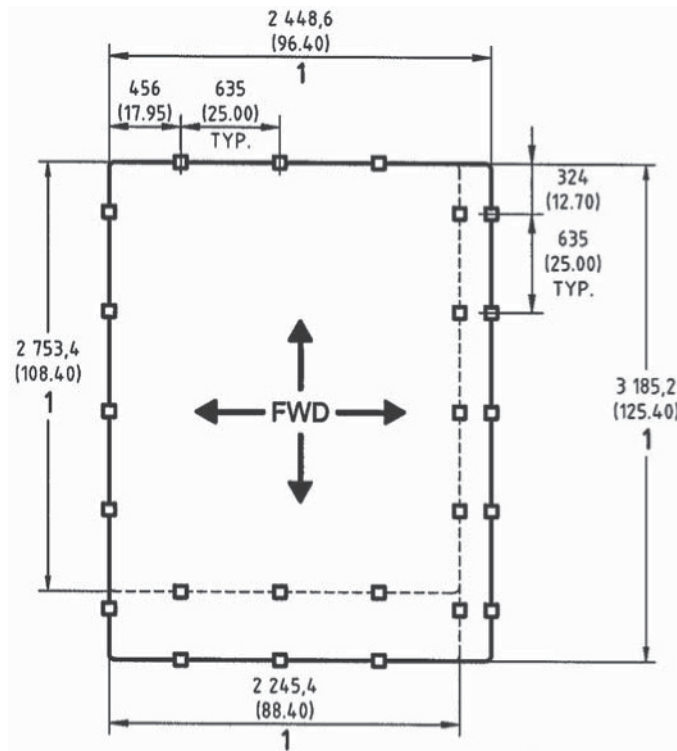
**RESTRAINT CONDITION (RC) A1**

Applicable to ULD configurations: A7, B7, M4

Applicable to: Containers, Pallets Orientation: omni-directional

**Restraint condition plan view**

Dimensions in millimetres (inches)

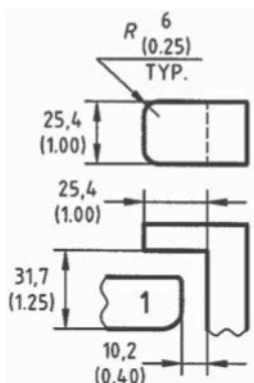


**Key**

1 inside restraints

**Restraint details**

Dimensions in millimetres (inches)



**Key**

1 pallet

**Other testing conditions**

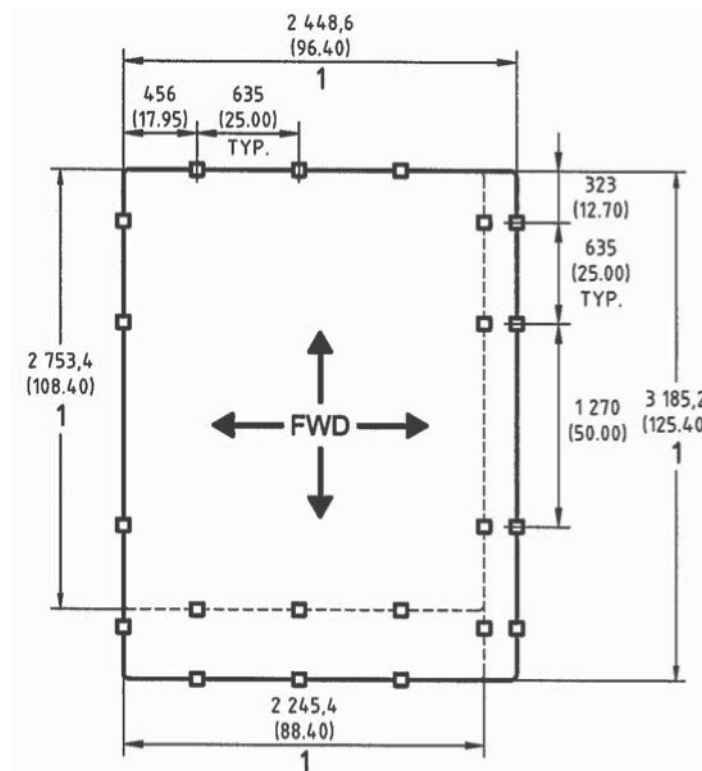
— Maximum ultimate loads, CG height and CG longitudinal and lateral eccentricities of ULD configuration.

### RESTRAINT CONDITION (RC) A2

- Applicable to ULD configurations: A8, B8, M5
- Applicable to: Containers, Pallets Orientation: omni-directional

#### Restraint condition plan view

Dimensions in millimetres (inches)

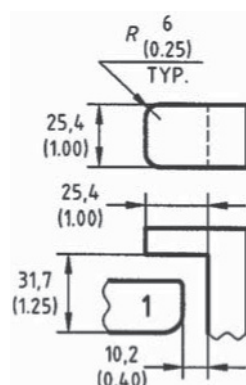


#### Key

- 1 inside restraints

#### Restraint details

Dimensions in millimetres (inches)



#### Key

- 1 pallet

#### Other testing conditions

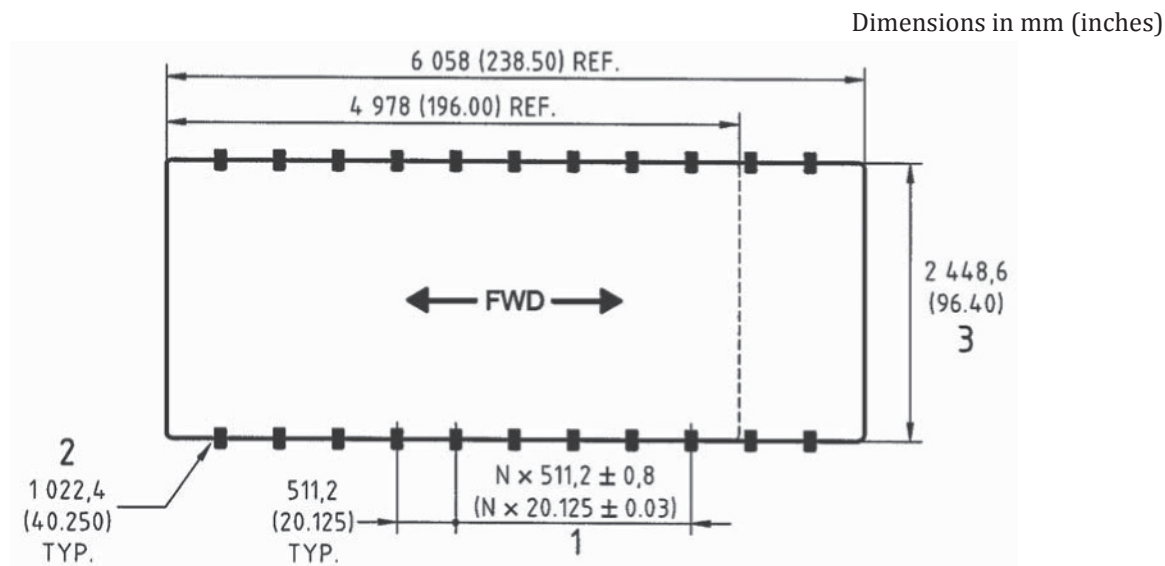
- Maximum ultimate loads, CG height and CG longitudinal and lateral eccentricities of ULD configuration.

**RESTRAINT CONDITION (RC) G**

Applicable to ULD configurations: G1, R1

Applicable to: Containers, Pallets      Orientation: Lengthwise

**Restraint condition plan view**

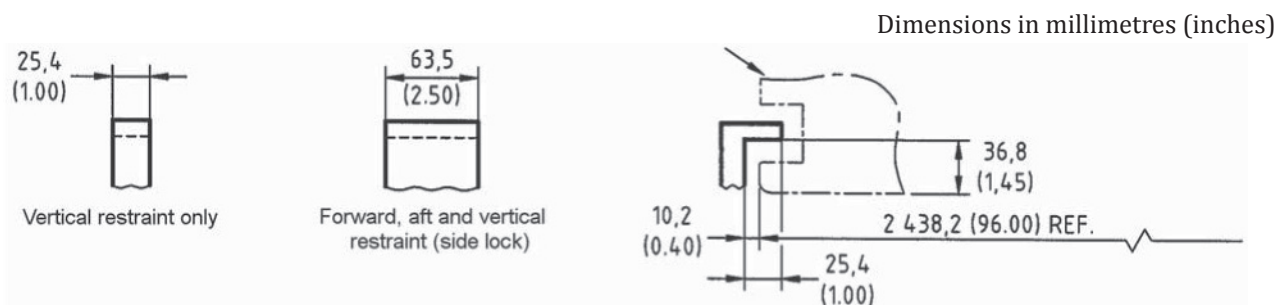


**Key**

- 1 inside restraints
- 2 sides locks spacing
- 3 inside restraints

Unit Load Device nominal length	4 978 (196)	6 058 (238,5)
Minimum fore and aft restraint latches (side locks) required, either on one or both sides	4	5
Minimum vertical restraint latches required, equally distributed both sides and equally spaced along the full length of the ULD. Includes fore and aft restraint latches.	10	12

**Restraint details**



**Key**

- 1 container side slot outline

**Other testing conditions**

- Maximum ultimate loads, CG height and CG longitudinal and lateral eccentricities of ULD configuration.
- The minimum number of latches per above table shall be engaged, side locks on one side only.

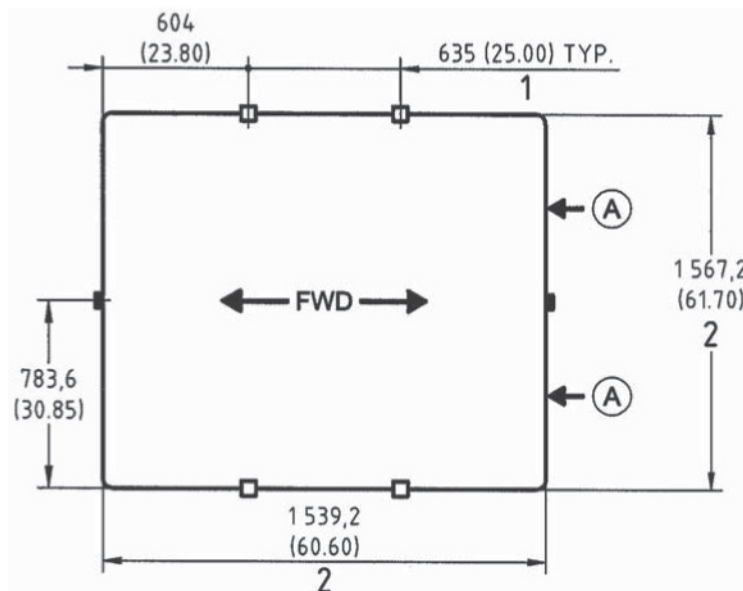
**RESTRAINT CONDITION (RC) K**

Applicable to ULD configurations: K4

Applicable to: Containers, Pallets      Orientation: crosswise

**Restraint condition plan view**

Dimensions in millimetres (inches)

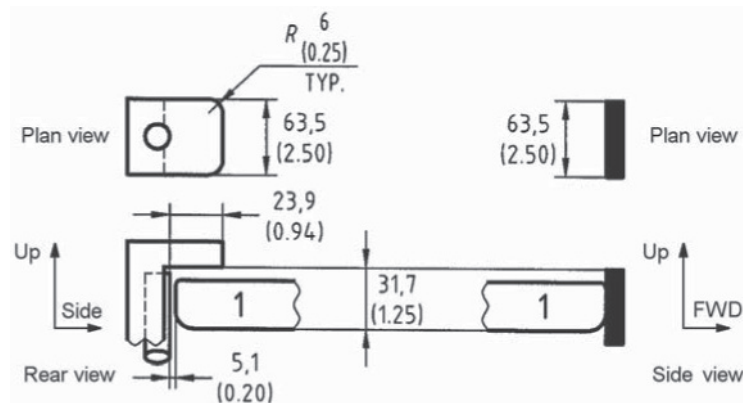


**Key**

- 1 continuous spacing
- 2 inside restraints

**Restraint details**

Dimensions in millimetres (inches)



**Key**

- 1 pallet

**Other testing conditions**

— Maximum ultimate loads, CG height and CG longitudinal and lateral eccentricities of ULD configuration.

- **A**: During fore and aft testing, an evenly distributed horizontal force equal to 6 times the forward load shall be applied alongside the opposite pallet or container base edge to simulate a possible stack of up to 7 units.
- Vertical rollers inside side restraints may be omitted for testing, providing clearance remains identical.

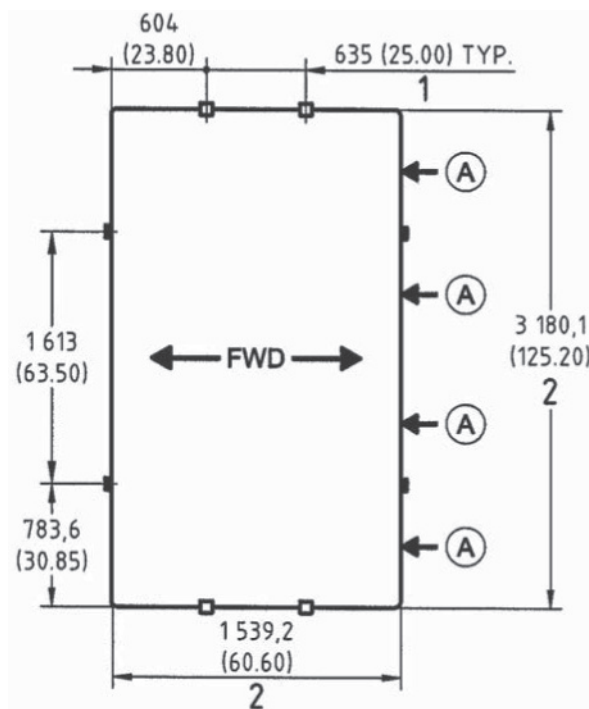
**RESTRAINT CONDITION (RC) L**

Applicable to ULD configurations: L5, L6

Applicable to: Containers, Pallets      Orientation: crosswise

**Restraint condition plan view**

Dimensions in millimetres (inches)

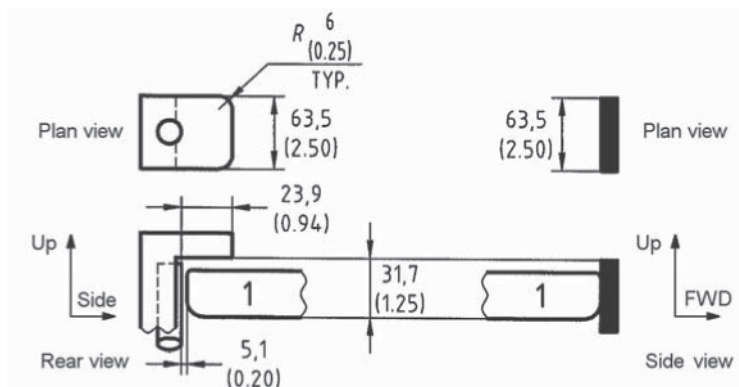


**Key**

- 1 continuous spacing
- 2 inside restraints

**Restraint details**

Dimensions in millimetres (inches)



**Key**

- 1 pallet

**Other testing conditions**

— Maximum ultimate loads, CG height and CG longitudinal and lateral eccentricities of ULD configuration.



- **A**: During fore and aft testing, an evenly distributed horizontal force equal to 6 times the forward load shall be applied alongside the opposite pallet or container base edge to simulate a possible stack of up to 7 units.
- Vertical rollers inside side restraints may be omitted for testing, providing clearance remains identical.

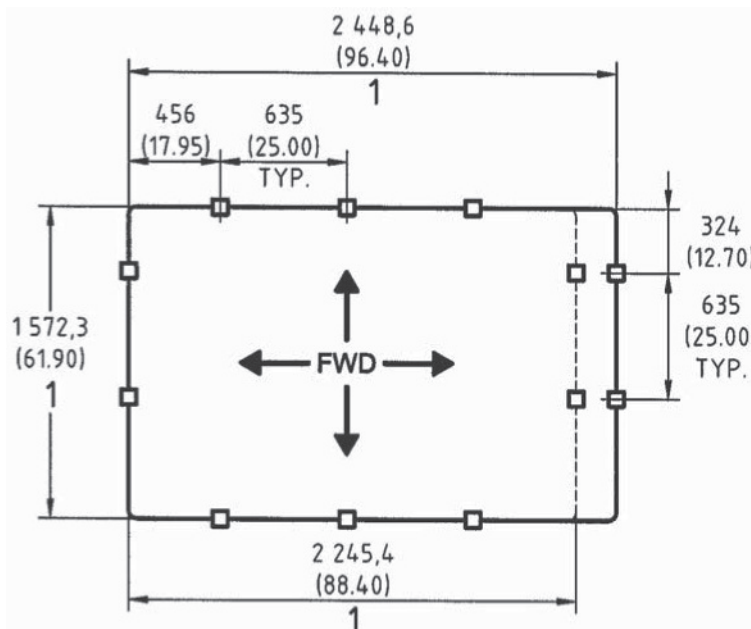
**RESTRAINT CONDITION (RC) N**

Applicable to ULD configurations: N1, S1

Applicable to: Containers, Pallets Orientation: omni-directional

**Restraint condition plan view**

Dimensions in millimetres (inches)

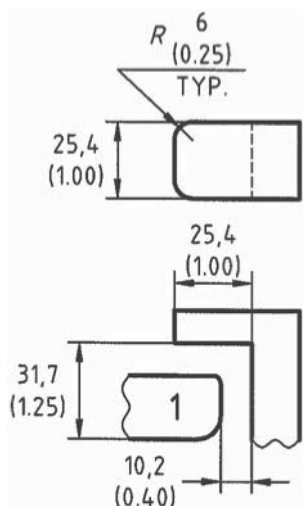


**Key**

1 inside restraints

**Restraint details**

Dimensions in millimetres (inches)



**Key**

1 pallet

**Other testing conditions**

— Maximum ultimate loads, CG height and CG longitudinal and lateral eccentricities of ULD configuration.

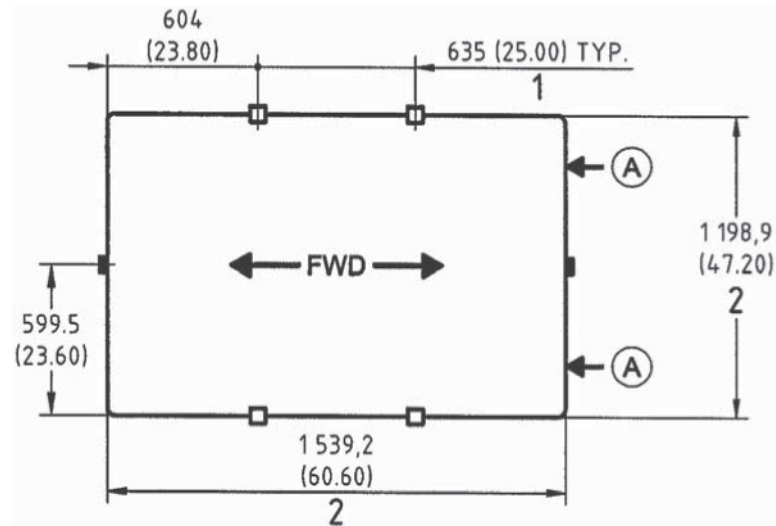
## RESTRAINT CONDITION (RC) P

Applicable to ULD configurations: P1

Applicable to: Containers, Pallets Orientation: crosswise

### Restraint condition plan view

Dimensions in millimetres (inches)

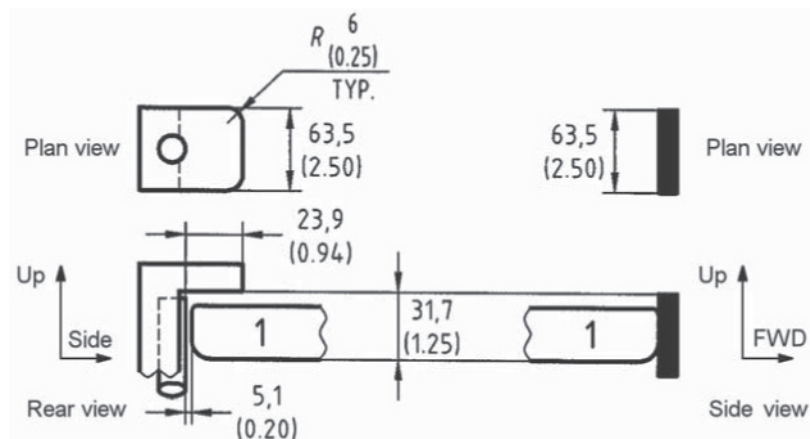


#### Key

- 1 continuous spacing
- 2 inside restraints

### Restraint details

Dimensions in millimetres (inches)



#### Key

- 1 pallet

### Other testing conditions

- Maximum ultimate loads, CG height and CG longitudinal and lateral eccentricities of ULD configuration.
- (A): During fore and aft testing, an evenly distributed horizontal force equal to 6 times the forward load shall be applied alongside the opposite pallet or container base edge to simulate a possible stack of up to 7 units.

- Vertical rollers inside side restraints may be omitted for testing, providing clearance remains identical.

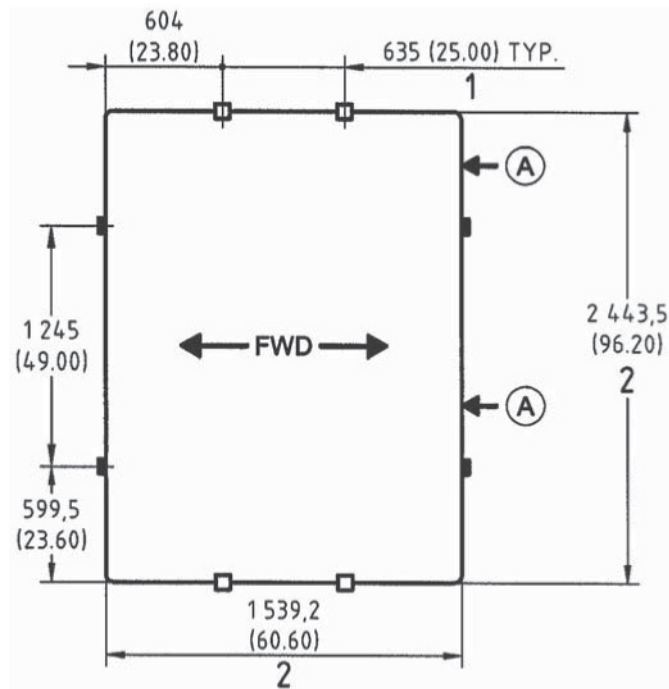
**RESTRAINT CONDITION (RC) Q**

Applicable to ULD configurations: Q1

Applicable to: Containers      Orientation: crosswise

**Restraint condition plan view**

Dimensions in millimetres (inches)

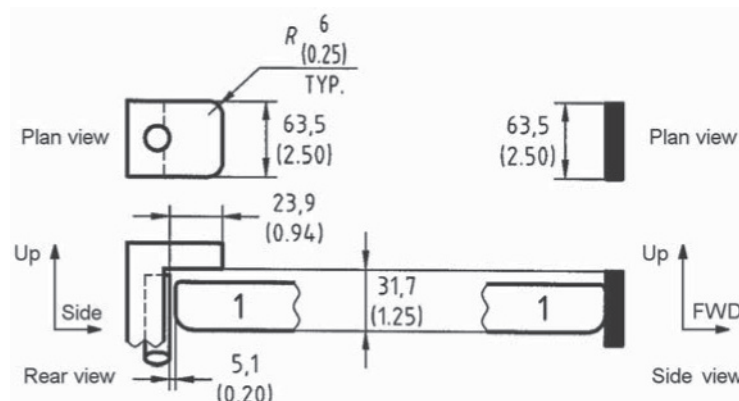


**Key**

- 1 continuous spacing
- 2 inside restraints

**Restraint details**

Dimensions in millimetres (inches)



**Key**

- 1 pallet

**Other testing conditions**

— Maximum ultimate loads, CG height and CG longitudinal and lateral eccentricities of ULD configuration.

- **A**: During fore and aft testing, an evenly distributed horizontal force equal to 6 times the forward load shall be applied alongside the opposite pallet or container base edge to simulate a possible stack of up to 7 units.
- Vertical rollers inside side restraints may be omitted for testing, providing clearance remains identical.

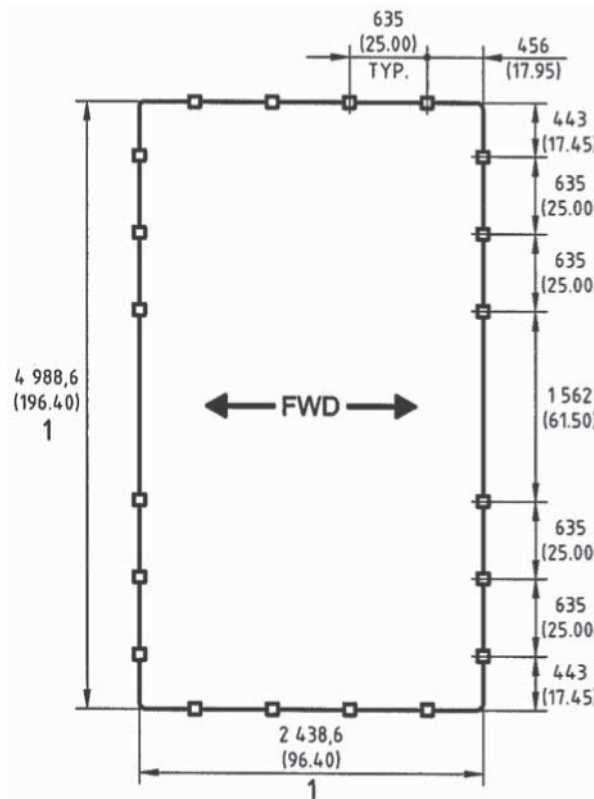
**RESTRAINT CONDITION (RC) R**

Applicable to ULD configurations: R1

Applicable to: Containers, Pallets      Orientation: crosswise

**Restraint condition plan view**

Dimensions in millimetres (inches)

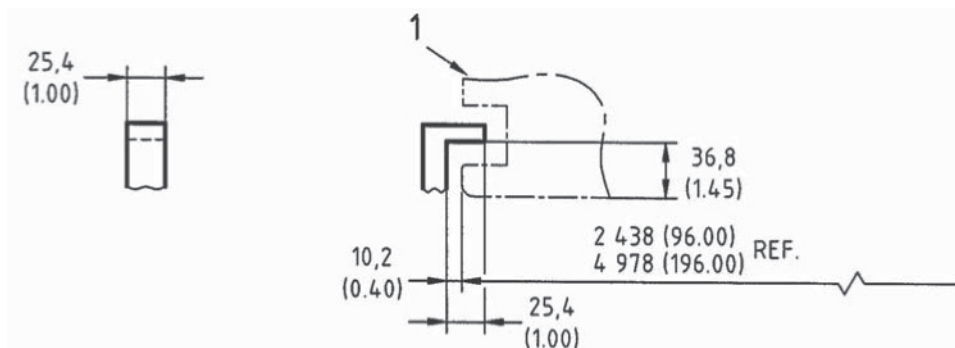


**Key**

1 inside restraints

**Restraint details**

Dimensions in millimetres (inches)



**Key**

1 container side slot outline

**Other testing conditions**

— Maximum ultimate loads, CG height and CG longitudinal and lateral eccentricities of ULD configuration.

## Bibliography

- [1] ISO 4115, *Air cargo equipment — Air/land pallet nets*
- [2] ISO 4117, *Air and air/land cargo pallets — Specification and testing*
- [3] ISO 4128, *Aircraft — Air mode modular containers*
- [4] ISO 4170, *Air cargo equipment — Interline pallet nets*
- [5] ISO 4171, *Air cargo equipment — Interline pallets*
- [6] ISO 6517, *Air cargo — Certified lower deck containers — Design and testing*
- [7] ISO 8323, *Freight containers — Air/surface (intermodal) general purpose containers — Specification and tests*
- [8] ISO 10327, *Air cargo - Main deck containers - Design and testing*
- [9] IATA ULD Regulations 40/1, *IATA Identification code for unit load devices* <sup>4)</sup>
- [10] IATA ULD Regulations 50/1, *Aircraft pallet*
- [11] IATA ULD Regulations 50/2, *Aircraft pallet net*
- [12] IATA ULD Regulations 50/4, *Certified aircraft container*
- [13] IATA ULD Regulations 50/6, *Air / surface (intermodal) container*
- [14] IATA ULD Regulations 50/9, *16 ft or 20 ft pallet*
- [15] SAE AS 832, *Air / surface (intermodal) general purpose containers* <sup>5)</sup>
- [16] SAE AS 1130, *Air and air /surface (platform) cargo pallets*
- [17] SAE AS 1131, *Air and air/surface (platform) cargo pallet nets*
- [18] SAE AS 1491, *Interline air cargo pallets*
- [19] SAE AS 1492, *Interline air cargo pallet nets*
- [20] SAE AS 4041, *Air mode general purpose containers*
- [21] SAE AS 5896, *Certified lower deck containers for wide-body aircraft*
- [22] SAE AS 33601, *Track and stud fitting for cargo transport aircraft, standard dimensions for*
- [23] SAE AS 36100 A, *Air Cargo Unit Load Devices — Performance Requirements and Test Parameters*

---

4) The IATA ULD Regulations can be obtained from :International Air Transport Association, Publications Assistant, 800 Place Victoria, P.O. Box 113, Montréal, Québec, CANADA H4Z 1M1, or its web site [www.iata.org](http://www.iata.org).

5) SAE Publications are available from the Society of Automotive Engineers, 400 Commonwealth Drive, Warrendale, PA 15096-0001, U.S.A., or its web site [www.sae.org](http://www.sae.org).









# British Standards Institution (BSI)

BSI is the national body responsible for preparing British Standards and other standards-related publications, information and services.

BSI is incorporated by Royal Charter. British Standards and other standardization products are published by BSI Standards Limited.

## About us

We bring together business, industry, government, consumers, innovators and others to shape their combined experience and expertise into standards-based solutions.

The knowledge embodied in our standards has been carefully assembled in a dependable format and refined through our open consultation process. Organizations of all sizes and across all sectors choose standards to help them achieve their goals.

## Information on standards

We can provide you with the knowledge that your organization needs to succeed. Find out more about British Standards by visiting our website at [bsigroup.com/standards](http://bsigroup.com/standards) or contacting our Customer Services team or Knowledge Centre.

## Buying standards

You can buy and download PDF versions of BSI publications, including British and adopted European and international standards, through our website at [bsigroup.com/shop](http://bsigroup.com/shop), where hard copies can also be purchased.

If you need international and foreign standards from other Standards Development Organizations, hard copies can be ordered from our Customer Services team.

## Subscriptions

Our range of subscription services are designed to make using standards easier for you. For further information on our subscription products go to [bsigroup.com/subscriptions](http://bsigroup.com/subscriptions).

With **British Standards Online (BSOL)** you'll have instant access to over 55,000 British and adopted European and international standards from your desktop. It's available 24/7 and is refreshed daily so you'll always be up to date.

You can keep in touch with standards developments and receive substantial discounts on the purchase price of standards, both in single copy and subscription format, by becoming a **BSI Subscribing Member**.

**PLUS** is an updating service exclusive to BSI Subscribing Members. You will automatically receive the latest hard copy of your standards when they're revised or replaced.

To find out more about becoming a BSI Subscribing Member and the benefits of membership, please visit [bsigroup.com/shop](http://bsigroup.com/shop).

With a **Multi-User Network Licence (MUNL)** you are able to host standards publications on your intranet. Licences can cover as few or as many users as you wish. With updates supplied as soon as they're available, you can be sure your documentation is current. For further information, email [bsmusales@bsigroup.com](mailto:bsmusales@bsigroup.com).

## BSI Group Headquarters

389 Chiswick High Road London W4 4AL UK

## Revisions

Our British Standards and other publications are updated by amendment or revision.

We continually improve the quality of our products and services to benefit your business. If you find an inaccuracy or ambiguity within a British Standard or other BSI publication please inform the Knowledge Centre.

## Copyright

All the data, software and documentation set out in all British Standards and other BSI publications are the property of and copyrighted by BSI, or some person or entity that owns copyright in the information used (such as the international standardization bodies) and has formally licensed such information to BSI for commercial publication and use. Except as permitted under the Copyright, Designs and Patents Act 1988 no extract may be reproduced, stored in a retrieval system or transmitted in any form or by any means – electronic, photocopying, recording or otherwise – without prior written permission from BSI. Details and advice can be obtained from the Copyright & Licensing Department.

## Useful Contacts:

### Customer Services

**Tel:** +44 845 086 9001

**Email (orders):** [orders@bsigroup.com](mailto:orders@bsigroup.com)

**Email (enquiries):** [cservices@bsigroup.com](mailto:cservices@bsigroup.com)

### Subscriptions

**Tel:** +44 845 086 9001

**Email:** [subscriptions@bsigroup.com](mailto:subscriptions@bsigroup.com)

### Knowledge Centre

**Tel:** +44 20 8996 7004

**Email:** [knowledgecentre@bsigroup.com](mailto:knowledgecentre@bsigroup.com)

### Copyright & Licensing

**Tel:** +44 20 8996 7070

**Email:** [copyright@bsigroup.com](mailto:copyright@bsigroup.com)



...making excellence a habit.™